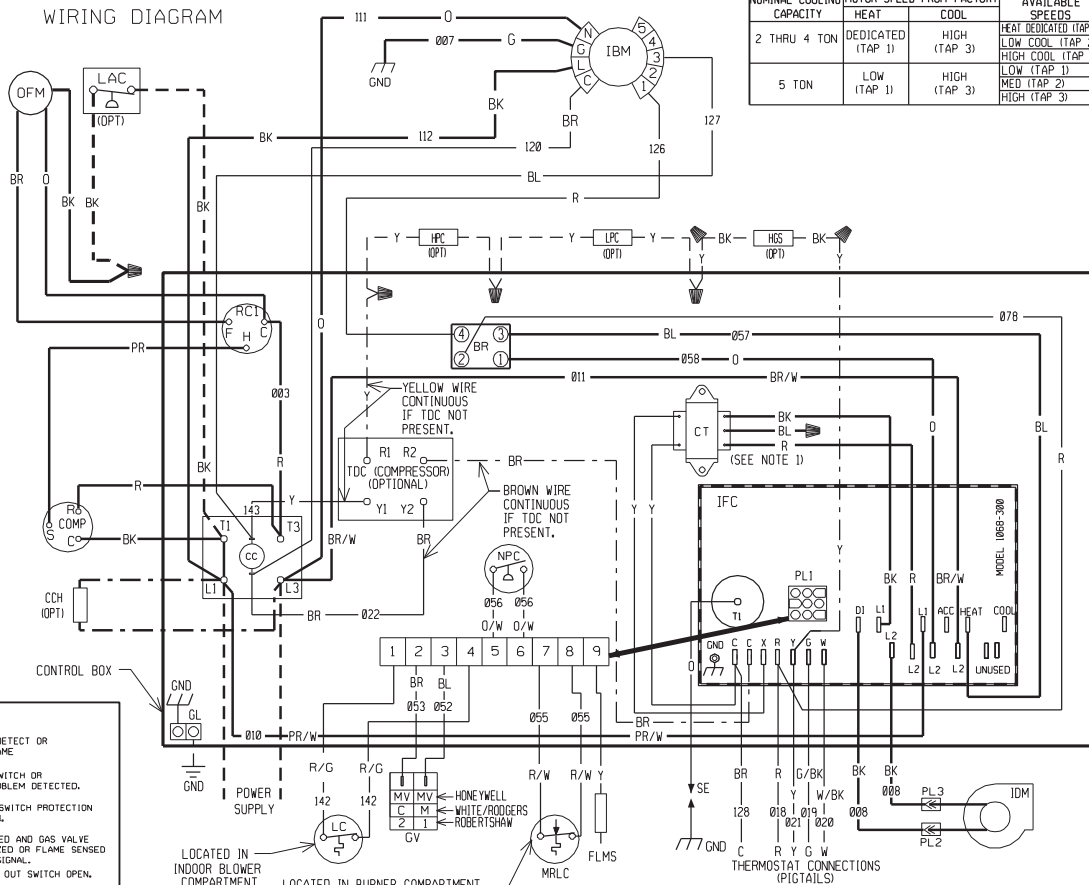
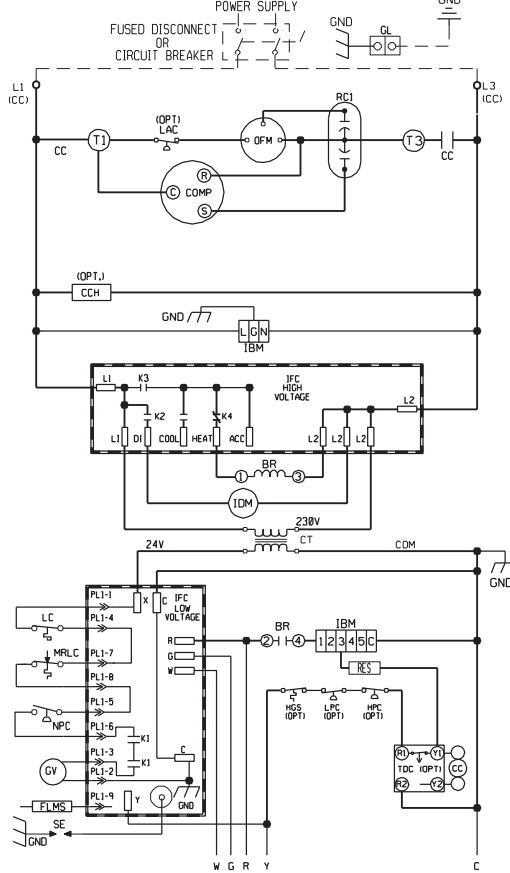


WIRING DIAGRAM



NOMINAL COOLING CAPACITY	MOTOR SPEED FROM FACTORY	HEAT	COOL	AVAILABLE SPEEDS
2 THRU 4 TON	DEDICATED (TAP 1)	HIGH (TAP 3)	HIGH (TAP 3)	HEAT DEDICATED (TAP 1) LOW COOL (TAP 2) HIGH COOL (TAP 3)
5 TON	LOW (TAP 1)	HIGH (TAP 3)	HIGH (TAP 3)	LOW (TAP 1) MED (TAP 2) HIGH (TAP 3)

WIRING SCHEMATIC



- DIAGNOSTICS**
- FLASH - FAILED TO DETECT OR SUSTAIN FLAME.
 - FLASH - PRESSURE SWITCH OR INDUCER PROBLEM DETECTED.
 - FLASH - HIGH LIMIT SWITCH PROTECTION DEVICE OPEN.
 - FLASH - FLAME SENSED AND GAS VALVE NOT ENERGIZED OR FLAME SENSED AND NO "W" SIGNAL.
 - FLASH - FLAME ROLL OUT SWITCH OPEN.

COMPONENT CODE	
BR	BLOWER RELAY
CC	COMPRESSOR CONTACTOR
CCH	CRANKCASE HEATER
COMP	COMPRESSOR
CT	CONTROL TRANSFORMER
FLMS	FLAME SENSOR
GL	GROUND LUG
GND	GROUND
GV	GAS VALVE
HPC	HIGH PRESSURE CONTROL
IBM	INDOOR BLOWER MOTOR
IDM	INDUCED DRAFT MOTOR
IFC	INTEGRATED FURNACE CONTROL
HGS	HOT GAS SENSOR
LAC	LOW AMBIENT COOLING CONTROL
LC	LIMIT CONTROL
LPC	LOW PRESSURE CONTROL
MRLC	MAN. RESET LIMIT CONTROL
NPC	NEG. PRESSURE CONTROL
OFM	OUTDOOR FAN MOTOR
OPT	OPTIONAL
PL	PLUG
RC	RUN CAPACITOR
SE	SPARK ELECTRODE
TD	TIME DELAY CONTROL
WN	WIRE NUT

- NOTES:**
- MAIN UNIT TRANSFORMER PRIMARY LEADS: 60 HZ, RED-COMMON BLUE-208 V BLACK-230 V INTERCHANGE BLACK & BLUE LEADS FOR 208 V TRANSFORMER OPERATION.
 - MOTORS & COMPRESSOR THERMALLY PROTECTED.
 - CONNECTORS SUITABLE FOR USE WITH COPPER CONDUCTORS ONLY.
 - CONNECT FIELD WIRING IN GROUNDED RAINIGHT CONDUIT TO 60 HZ FUSED DISCONNECT.
 - LOW VOLTAGE CIRCUIT IS N.E.C. CLASS 2 WITH A CLASS 2 TRANSFORMER 24 VOLT, 50/60 HERTZ SUPPLIED.
 - REPLACEMENT FUSES MUST BE SAME TYPE & SIZE AS ORIGINAL.

- WIRING INFORMATION**
- LINE VOLTAGE
 -FACTORY STANDARD
 -FACTORY OPTION
 -FIELD INSTALLED
- LOW VOLTAGE
 -FACTORY STANDARD
 -FACTORY OPTION
 -FIELD INSTALLED
- REPLACEMENT WIRE
 -MUST BE THE SAME SIZE AND TYPE OF INSULATION AS ORIGINAL (105 C MIN.)
 WARNING
 -CABINET MUST BE PERMANENTLY GROUNDED AND CONFORM TO I.E.C., N.E.C., C.E.C. AND LOCAL CODES AS APPLICABLE.

WIRE COLOR CODE			
BK	BLACK	GY	GRAY
BR	BROWN	O	ORANGE
BL	BLUE	PK	PINK
G	GREEN	PR	PURPLE
R	RED	W	WHITE
Y	YELLOW		

ELECTRICAL WIRING DIAGRAM

2.0-5.0 TON SINGLE STAGE GAS/ELECTRIC W/X-13 BLOWER MOTOR AND INTEGRATED FURNACE CONTROL 208/230V, 1 - PHASE

DR. BY	APP. BY	DATE	DWG. NO.
JRJ		8-16-05	90-23626-11

90-23626-11
REV 07