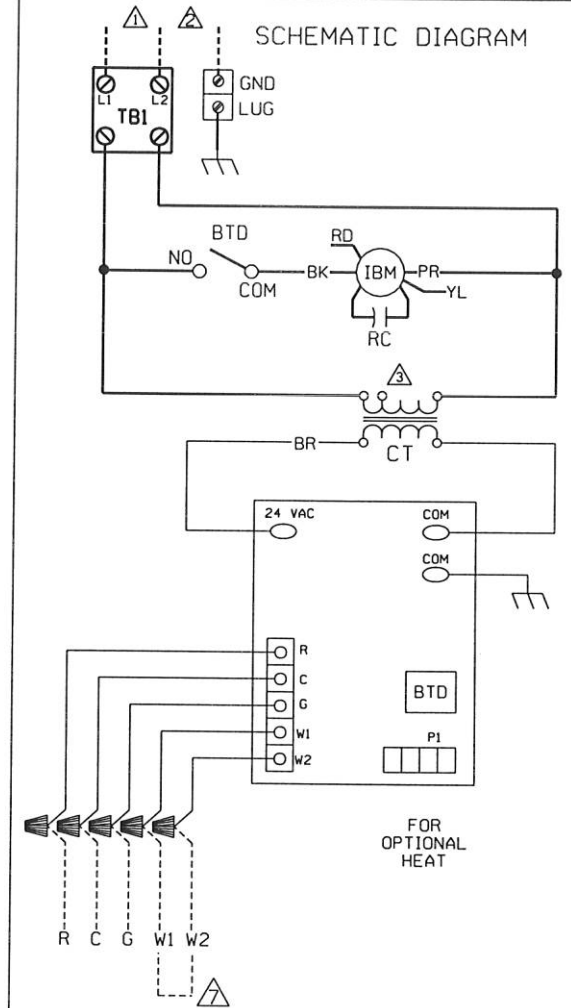
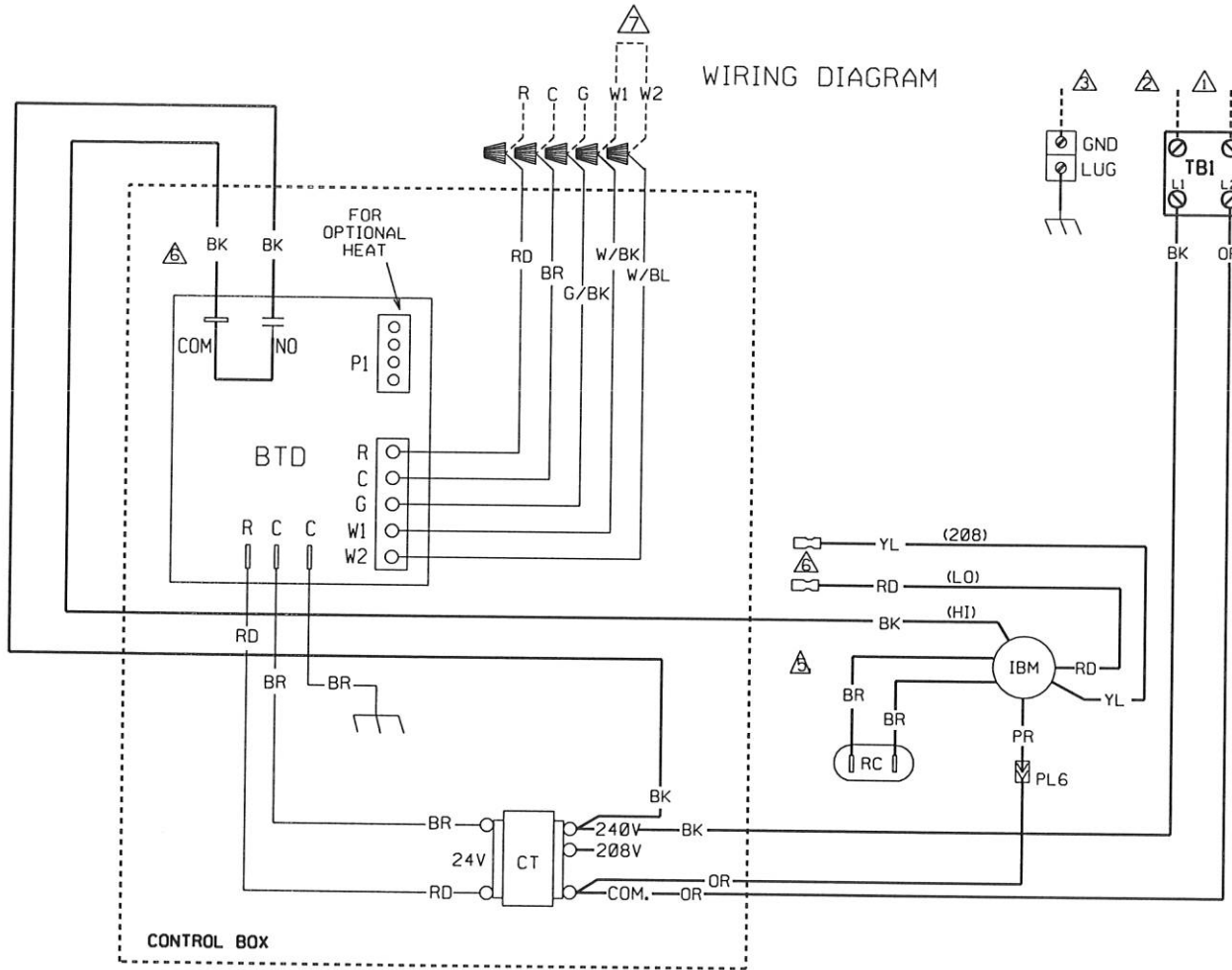


ORIGINAL RELEASE NO.	H-1005S130	RHEEM MANUFACTURING CO.		CAD				
MATERIAL	PRESSURE SENSITIVE, ADHESIVE BACKED LABEL.	REVISIONS	01 REVISED SCHEMATIC DIAGRAM TO MATCH WIRING DIAGRAM.	MGR	H-1005S135 7-25-07	03 REVISED NOTE 1: 208/240V WAS 115V.	MGR	Y-0608S009 8-24-10
PRINTING INSTRUCTIONS	REDUCE TO LETTERING 6 x 7 1/2, WHITE WITH BLACK LETTERING	02	ADDED JUMP W1 TO W2, AND ADDED NOTE 7.	MGR	Y-0517S001 1-23-10			



**NOTES:**

- ⚠ CONNECT SUPPLY WIRING TO 208/240V, 60HZ, SINGLE PHASE.
- ⚠ SUPPLY WIRE MUST BE RATED AT 75° C MIN. SEE INSTRUCTIONS FOR SIZE.
- ⚠ FOR USE WITH COPPER CONDUCTORS ONLY.
- ⚠ CONTROL WIRING TO THERMOSTAT.
- ⚠ THE WIRING DIAGRAM ABOVE SHOWS THE HIGH CONNECTION.
- ⚠ FOR LOW SPEED BLOWER:
  - REMOVE (BK) WIRE FROM COM TERMINAL OF BTD.
  - MOVE INSULATED CAP FROM (RD) WIRE TO (BK) WIRE.
  - ATTACH (RD) WIRE TO BTD RELAY COM TERMINAL.
- ⚠ WHEN USING 13KW AND HIGHER IT IS RECOMMENDED TO JUMP W1 AND W2 TOGETHER FOR MAXIMUM TEMPERATURE RISE.

**COMPONENT CODE**

BTD	BLWR TIME DELAY
CB	CIRCUIT BREAKER
CT	CONTROL TRANSFORMER
IBM	INDOOR BLOWER MOTOR
OPT	OPTIONAL
PL	POLARIZED PLUG
RC	RUN CAPACITOR

**WIRING INFORMATION**

LINE VOLTAGE  
 -FACTORY STANDARD \_\_\_\_\_  
 -FACTORY OPTION \_\_\_\_\_  
 -FIELD INSTALLED -----

LOW VOLTAGE  
 -FACTORY STANDARD \_\_\_\_\_  
 -FACTORY OPTION \_\_\_\_\_  
 -FIELD INSTALLED -----

REPLACEMENT WIRE  
 -MUST BE THE SAME SIZE AND TYPE OF  
 -INSULATION AS ORIGINAL (105° C MIN.)

WARNING  
 -CABINET MUST BE PERMANENTLY GROUNDED AND CONFORM TO N.E.C., (C.E.C.-CANADA) AND LOCAL CODES.

**WIRE COLOR CODE**

BK__BLACK	PR__PURPLE
BR__BROWN	RD__RED
BL__BLUE	WH__WHITE
GR__GREEN	YL__YELLOW
OR__ORANGE	

**WIRING DIAGRAM**  
**ELECTRIC AIR HANDLER**  
**PSC MOTOR**  
**208/240**