



TECHNICAL GUIDE

**SINGLE PACKAGE
AIR CONDITIONER / ELECTRIC HEAT
16 SEER – R-410A – 208/230V - 1 PHASE
2 THRU 5 NOMINAL TONS
MODELS: PCE6*24 THRU 60**



Due to continuous product improvement, specifications are subject to change without notice.

Visit us on the web at
www.upgnet.com and www.york.com
Additional rating information can be found at:
www.ahridirectory.org

WARRANTY SUMMARY*

Extended 10-Years limited parts and compressor warranty
* Extended warranty requires online registration within 90 days of purchase for replacement or closing for new home purchase. See limited warranty certificate in User's Information Manual for details.

DESCRIPTION

These packaged cooling/heating air conditioners are designed for outdoor installation. Only utility and duct connections are required at the point of installation.

FEATURES

- **Operating Efficiency** - The 2-4 ton PCE6 air conditioner models are rated at 16.0 SEER and 12.5 EER for cooling operation. The 5 ton PCE6 air conditioner models are rated at 16.0 SEER and 12.0 EER for cooling operation. All PCE6 models utilize a multi-stage compressor for maximum comfort and efficiency.
- **On Site Flexibility** - All model sizes use a compact design cabinet in one of two footprints. This provides installer flexibility for placing the proper capacity unit on curbs or pads with the smallest footprint after the internal load has been determined. Field convertible duct connections from side shot to down shot allows the installer to have greater flexibility with less inventory.
- **Lower Installation Cost** - Installation time and costs are reduced by easy power and control wiring connections. The small base dimension means less space is required on the ground or roof. All units are completely wired, charged with R-410A and tested prior to shipment. Test stations using a state-of-the-art computerized process system are used to insure product quality. Refrigerant charge and component part numbers are verified via computers during assembly. Vital run test statistics such as system pressure, motor currents, air velocity and temperature, unit vibration, and gas system safeties are monitored and recorded by the system to insure unit performance. Equal size side supply and return duct connections allow easy connection of ducts to match low crawl spaces without transition pieces.
- **Utility Connections Made Easy** - Electric utility access provided through the bottom or the side of the unit. Utility connections can be made quickly and with a minimum amount of field labor. A field supplied and field installed electrical disconnect switch must be installed.
- **Convertible Airflow Design** - The bottom duct openings are covered when they leave the factory, ready to be used for a side supply/side return application. If a bottom supply/bottom return application is desired, simply remove the two panels from the bottom of the unit and place them in the side supply/side return duct openings. No panel cutting is required and no accessory panel is necessary. Convertible airflow design allows maximum field flexibility and minimum inventory.
- **Condensate Pan** - A corrosion-resistant, long-lasting, water-tight pan is positioned below the indoor coil to collect and drain all condensate, preventing build-up of stagnant condensate. The condensate pan conforms to ASHRAE 62-89 standards (Ventilation for Acceptable Indoor Air Quality).
- **Condensate Drain** - The 3/4 inch NPT female connection is rigidly mounted to assure proper fit and leak tight seal.

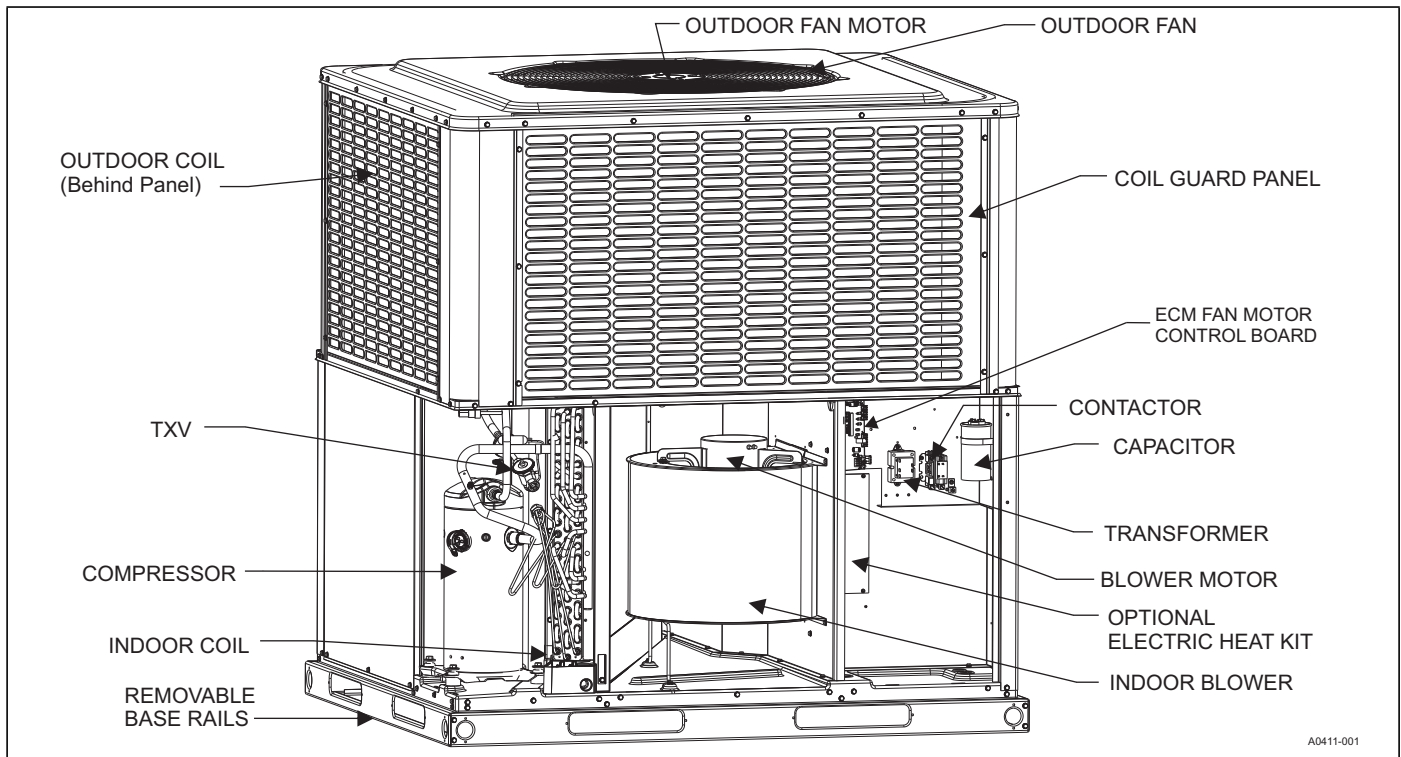
Continued on next page.

- **Durable Finish** - The cabinet is made of G90 galvanized steel with a powder paint coating for appearance and protection. The pre-treated galvanized steel provides a better paint-to-steel bond, which resists corrosion and rust creep. Powder paint finish ensures less fading when exposed to sunlight, and provides superior corrosion resistance (1000 hour salt spray tested).
- **Full Perimeter Base Rails** - The easily removable base rails provide a solid foundation for the entire unit and protects the unit during shipment. The rails provide fork lift access from all sides, and rigging holes are also provided so that an overhead crane can be used to place the units on a roof. On applications where the unit is placed on a pad, the base will keep the unit off the pad to deter corrosion. On applications where height is limited, the base rails may be removed by removing 2 screws in each corner.
- **Attractive Appearance** - A single-piece top cover containing a top-discharge condenser fan arrangement requires less square footage on installation and provides a wider variety of installations. The one-piece design adds greater water integrity. Rounded corners with water drip edges add to the attractive appearance.
- **Top Discharge** - The top-discharge outdoor fan does not disrupt neighboring areas or dry out vegetation surrounding the unit. The warm air from the top mounted fan is blown up and away from the structure and any landscaping.
- **Outdoor Coil Grille** - All models utilize a stamped slotted design which provides superior impact protection against small objects during transit and after installation.
- **Low Operating Sound Level** - The upward air flow carries the normal operating noise up and away from the living area. The rigid top panel effectively isolates noise. Isolator mounted compressor and the rippled fins of the outdoor coil muffle the normal fan motor and compressor operating sounds. The unique formed base pan also aids in sound attenuation with its structural design.
- **Fan System** - All models operate over a wide range of design conditions with an enhanced ECM indoor fan motor. These units easily match all types of applications and provide greater on-site flexibility to match comfort requirements. The cooling speed is factory-set and can be field-adjusted to a second speed. The heating speed is factory set to maintain mid point rise at the units heating input, but can be field adjusted. This allows maximum comfort conditions.
- **Dehumidification/Humidity Switch Input** - This model unit features a built in de-humidification feature for advanced dehumidification during cooling operation. The unit indoor blower control is designed to work with a humidity control that closes when the humidity is below the set-point. The control is open when the humidity is above the set-point. This humidity control may be referred to as a humidistat or dehumidistat.
To use this feature, the control HUM STAT jumper must be set to YES and a humidistat is connected from the low voltage R and HUM color coded leads. During cooling operation if the humidity level is above the humidistat set point, the indoor blower speed is reduced by approximately 15%.
- **Simple Control Circuit** - Field thermostat wiring connects to color coded leads using twist on wire connections. Cooling controls use contactor and relays for simple application and troubleshooting. Mate-n-lock plug connectors are used. Enhanced ECM indoor blower control is managed by a multi-stage indoor blower control board that includes field adjustable speed tap jumpers for maximum flexibility and product application. The electrical control box is not located in the compressor compartment. The controls are mounted to allow the separate access panel to be removed for trouble shooting and maintenance without affecting the normal system operating pressures. All wiring internal to the unit is color/number coded.
- **Protected Compressor** - The compressor is internally protected against high pressure and temperature. This is accomplished by the simultaneous operation of scroll bypass and a temperature sensor which protect the compressor if undesirable operating conditions occur.
- **Pressure Switches** - A high pressure switch is standard in all units. It is an automatic reset switch. When discharge pressure reaches 650 psi, the compressor will de-energize until pressure reaches 450 psi.
- **Exclusive Coil Design** - Grooved copper tubes and enhanced aluminum fin construction improves heat transfer for maximum efficiency and durability for long-lasting durability and efficient operation. Indoor coils will use tin-coated copper tubing with aluminum fins for effective heat transfer.
- **Electric Heat** - All electric heat models use 6HK electric heat, which are available in 230v/1/60 from 2 kW to 25 kW. All kits stageable above 10 kW. Single phase single point field wiring kits are available for all applications except 25kW.
- **Low Maintenance** - Long life, permanently lubricated indoor and outdoor fan motor bearings need no annual maintenance, adding greater reliability to the unit. Slide-out blower assembly and indoor coil assembly can be easily removed for cleaning.
- **Easy Service Access** - Individual access panels are provided in access to all major components - compressors, indoor coils, blower, controls/electric heat kits, filters, etc. that makes servicing easy. Removing these panels allow easy removal of the components such as the blower assembly for maintenance and ease of troubleshooting.
- **Replacement Parts** - The installer requires no special training to replace any of the components of these units and the number of new components have been reduced to minimize the inventory of unique parts.
- **Loss of Charge Switch** - All models include a loss of charge switch to provide safe shutdown of compressor.

NOMENCLATURE

PCE	4	A	24	50	2	X	1	A
1	2	3	4	5	6	7	8	9
1. Model Family PCG - packaged A/C with gas heat, PHG - packaged heat pump with gas heat, PCE - packaged A/C with electric heat, PHE - packaged heat pump with electric heat, 2. Nominal Cooling Efficiency 4 = 14 SEER, 6 = 16 SEER, etc. 3. Cabinet Size A = small 35 x 51, B = large 45 x 51 4. Nominal Air Conditioning Cooling Capacity BTUx1000 24 = 24,000 BTU, etc. Examples: PCE6B4221A is a packaged A/C with electric heat, 16 SEER, 3-1/2 ton, large cabinet, 230 volt, single phase, low-NOx model (first generation, first release).					5. Gas Heating Input BTU/Hr x 1000 050 = 50,000 BTU/Hr. input, blank = electric heat 6. Voltage-Phase-Frequency 2 = 208/230-1-60, 3=208/230-3-60, 4 = 460-3-60 7. NOx Approval X = low-NOx, blank = not low-NOx 8. Generation Level 1 = first generation 9. Revision Level A = original release, B = second release			

COMPONENT LOCATION



UNIT LIMITATIONS

Model	Unit Voltage	Unit Limitations		
		Applied Voltage		Outdoor DB Temp
		Min	Max	Max (°F)
All Models	208/230-1-60	187	252	125

ACCESSORIES

- **Economizer for Downflow Applications (S1-2EE04710024, S1-2EE04710124)** - Modulating integrated economizer provides simultaneous operation between mechanical cooling and economizer operation. Independent blade design insures proper control and less than 1% leak rate. Includes hood and mesh bird screen filter integrated into the hood, dry bulb sensor, and barometric relief damper. Separate field accessories of single/dual enthalpy kits are also available.
- **Economizer for Horizontal Applications (S1-2EE04710224, S1-2EE04710324)** - Modulating integrated economizer provides simultaneous operation between the mechanical cooling and economizer operation. Independent blade design insures proper control and less than 1% leak rate. Includes hood and mesh bird screen filter integrated into hood and dry bulb sensor. Separate field accessories of single enthalpy and dual enthalpy are available.
- **Barometric Relief Hood (S1-1RD0501)** - Used in conjunction with a horizontal economizer, the Barometric Relief Hood helps to equalize the building pressure that is caused by the fresh air that is introduced through the economizer fresh air hood.
- **Single/Dual Enthalpy Sensor (S1-HE-6863-0N00WS)** - Sensor replaces supply air temperature dry bulb sensor standard in economizer kit. Provides improved economizer operation by sensing the dry bulb temperature of indoor supply air plus the enthalpy content of the outdoor air.
- **Duct/Unit Mount CO2 Kit (S1-2AQ04700924)** - Sensor kit detects CO2 levels automatically and overrides the economizer when CO2 levels rise above the preset limits.
- **Wall Mount CO2 Kit (S1-2AQ04701024)** - Sensor kit detects CO2 levels automatically and overrides the economizer when CO2 levels rise above the preset limits.
- **Supply Air Temperature Sensor Kit (S1-TE-63616E-2D)** - Outdoor supply air temperature sensor kit used with economizers.
- **Filter/Frame Kit (S1-1FF0602, S1-1FF0601)** - Kit contains the necessary hardware to field install return air filters into the base unit. The filter rack is suitable for either 1" or 2" filters.
- **Filter (S1-02647812000)** - Washable 1" filter. Two filters are required for A base units. Three filters are required for B base units.
- **Motorized Fresh Air Damper (S1-2MD04705224, S1-2MD04705124)** - Designed for duct mounted side supply/return and unit mounted down supply/return applications. Damper capable of providing 0% through 50% of outdoor air (field supplied). Closes on power loss, includes hood and screen assembly.
- **Rectangle to Round (Horizontal) Adapter (S1-1AK0110, S1-1AK0111)** - Kit includes one supply and one return air rectangle to round duct adapter. Adapters are preformed and designed to fit over current horizontal duct openings on the base unit. Transition is from rectangle to 12" round for the 1AK0110 kit and from rectangle to 14" round for the 1AK0111 kit.
- **Rectangle to Round (Downflow) Adapter (S1-1AK0108, S1-1AK0109)** - Kit includes one supply and one return air rectangle to round duct adapter. Adapters are preformed and designed to fit into current downflow duct openings on the roof curb. Transition is from rectangle to 16" round for the 1AK0108 kit and from rectangle to 18" round for the 1AK0109 kit.
- **Roof Curbs (S1-1RC0503, S1-1RC0501)** - NRCA approved curbs provide proper fit to base unit for rooftop installations. Curbs are designed to be assembled through hinge pins in each corner. Kit also provides seal strip to assure an air tight seal. These are 8 inch high roof curbs.
- **Roof Curbs (S1-1RC0504, S1-1RC0502)** - NRCA approved curbs provide proper fit to base unit for rooftop installations. Curbs are designed for assembly through hinge pins in each corner. Kit also provides seal strip to assure air tight seal. These are 14 inch high roof curbs.
- **Transition Curb Kits (S1-1TC01*)** - Adapter kits to allow field use of pre-existing installed roof curbs to match PCE6 footprint to Affinity roof curbs, Carrier, Trane, or Goodman curb footprints. Curb adapters are optional for current generation Carrier replacements but are recommended for previous generation applications. Refer to the PCE6 price pages for more details.
- **Manual Outdoor Damper (S1-1FA0502, S1-1FA0501)** - Provides 0% through 50% outdoor air capability (field adjustable). Designed for duct mounted side supply/return applications and unit mounted down supply/return applications. Includes hood and screen assembly.
- **Transformer Kit (S1-2EC06700124)** - Kit provides necessary hardware to provide single phase models from factory furnished 40 VA transformer capability to 75 VA transformer capability. (Required on installations with economizer or motorized damper).
- **Low Ambient Temperature Kit (S1-2LA04701024)** - Kit provides necessary hardware to convert unit to operate in cooling cycle down to 0° F. Standard unit operation 45° F.
- **Base Rail Hole Cover Kit (S1-1HC0101)** - Kit provides necessary hardware to close off openings in base rails to block off openings, i.e. prevent animal entrance.
- **Single Point Wiring Kits for 6HK Electric Heat Applications (S1-SPWK*)** - Kits provide field option for connecting electrical power supplies to the field installed 6HK kits to allow single point connections for single phase electric heat applications with the exception of 25kW kits.
- **Thermostat (S1-THXU280*)** - Compatible thermostat controls are available through accessory sourcing. For optimum performance, these outdoor units are fully compatible with the York Hx™ Touchscreen Thermostat (S1-THXU****) available through Source1. For more information, see the thermostat section of the Product Equipment Catalog.
- **Wall Thermostat** - The units are designed to operate with standard, 24-volt electronic non power stealing and electro-mechanical thermostats. All units require the use of a multi-stage conventional thermostat.

* For additional kit numbers refer to the price pages.

GUIDE SPECIFICATIONS

GENERAL

Units shall be manufactured by Unitary Products in an ISO 9001 certified facility. These packaged cooling and heating air conditioners are designed for outdoor installation. Only utility and duct connections are required at the point of installation. Air Conditioning units provide electric cooling and electric heating, with field installed electric heat kits from 2 kW to 25 kW for heating operation.

DESCRIPTION

Units shall be factory-assembled, single packaged, Air Conditioners with Electric Cooling/Electric Heating units, designed for outdoor installation. They shall have built in, equal size, field convertible duct connections for supply/return or horizontal supply/return. The units shall be factory wired, piped, charged with R-410A Refrigerant and factory tested prior to shipment. All models shall be rated in accordance with DOE and AHRI test procedures for both heating and cooling operation. Units shall be CSA listed to the UL 1995/CAN/CSA No. 236-M90 standards.

- **Operating Efficiency** - All models shall be rated at a minimum of 14.0 SEER and 11.0 EER for cooling and heating operation rated in accordance with DOE requirements.
- **Low Operating Sound Level** - The upward air flow carries the normal operating noise up and away from the living area. The rigid top panel effectively isolates noise. Isolator mounted compressor and the rippled fins of the condenser coil muffle the normal fan motor and compressor operating sounds. The unique formed base pan also aids in sound attenuation with its structural design. Sound ratings as tested under AHRI test procedures shall be less than 77 dbA for all models.

UNIT CABINET

Unit cabinet shall be a single piece design, with drip edges and no-seam corners to provide optimum water integrity. Unit shall have a rigidly mounted condenser coil guard to provide protection from objects and personnel after installation. Indoor blower section shall be insulated with foil-faced or foam insulation, fastened to prevent insulation from entering the air stream. Cabinet panels shall be separate, easily removable for servicing and maintenance. Unit shall be built on a formed, design base pan, with embossments at critical points to add strength and rigidity and to aid in minimizing sound. Full perimeter base rails shall be provided to assure reliable transit of equipment, overhead rigging, for truck access and proper sealing on roof curb applications. Base rails shall be easily removable, when required to lower unit height. Filters shall be field installed, furnished and be accessible through a removable access door, sealed airtight. Units vertical discharge and return duct configuration shall be designed to fit between standard 24" O.C. beams without modification to building structure, duct work and base unit.

- **Durable Finish** - The cabinet shall be made of G90 galvanized steel with a powder paint coating for appearance and protection. The pre-treated galvanized steel shall provide a better paint-to-steel bond, which resists corrosion and rust creep. Powder paint finish shall provide superior corrosion resistance (1000 hour salt spray tested).

- **On Site Flexibility** - All model sizes shall use a compact design cabinet in one of two footprints. This provides installer flexibility for placing the proper capacity unit on curbs or pads with the smallest footprint after the internal load has been determined. Field convertible duct connections from side shot to down shot allows the installer to have greater flexibility with less inventory.
- **Attractive Appearance** - A single-piece top cover containing a top-discharge condenser fan arrangement shall be used which requires less square footage on installation and provides a wider variety of installations. The one-piece design adds greater water integrity. Rounded corners with water drip edges add to the attractive appearance and prevent water penetration.
- **Convertible Airflow Design** - The bottom duct openings are covered when they leave the factory, ready to be used for a side supply/side return application. If a bottom supply/bottom return application is desired, simply remove the two panels from the bottom of the unit and place them in the side supply/side return duct openings. No panel cutting is required and no accessory panel is necessary. Convertible airflow design allows maximum field flexibility and minimum inventory.
- **Utility Connections Made Easy** - Electric utility access shall be provided through the bottom or the side of the unit. Utility connections should be made quickly and with a minimum amount of field labor. A field supplied and field installed electrical disconnect switch must be installed.
- **Easy Service Access** - Individual access panels are provided in access to all major components - compressors, indoor coils, blower, controls/electric heat kits, filters, etc. that makes servicing easy. Removing these panels allow easy removal of the components such as the blower assembly for maintenance and ease of troubleshooting.
- **Top Discharge** - The top-discharge outdoor fan does not disrupt neighboring areas or dry out vegetation surrounding the unit. The warm air from the top mounted fan is blown up and away from the structure and any landscaping.
- **Outdoor Coil Grille** - All models utilize a stamped slotted design which provides superior impact protection against small objects during transit and after installation.

Indoor Blower Assembly - Fan shall be direct drive design. Fan wheel shall be double-inlet type with forward-curved blades, dynamically balanced to operate smoothly throughout the entire range of operation. Airflow design shall be constant air volume. Bearings shall be sealed and permanently lubricated for longer life and no maintenance. Fan assembly shall be a slide-out design for easy removal and cleaning. Indoor blower motors shall be equipped with a standard high efficiency brushless DC motor (constant torque) also known as an enhanced ECM motor.

Outdoor Fan Assembly - The outdoor fan shall be of the direct-driven propeller type, discharge air vertically, have aluminum blades riveted to corrosion resistant steel spider bracket and shall be statically balanced for smooth operation. The outdoor fan motor shall be totally enclosed with permanently lubricated ball bearings and internally protected against overload conditions.

REFRIGERANT COMPONENTS

- **Protected Compressor** - The compressor shall be a fully hermetic type, direct drive compressor, that is internally protected against high pressure and temperature. This is accomplished by the simultaneous operation of scroll bypass and a temperature thermal overload sensor which protect the compressor if undesirable operating conditions occur. The hermetic motor shall be suction gas cooled and have a voltage range of +/- 10% of the unit nameplate voltage. Compressors shall have internal isolation and sound muffling to minimize vibration and noise, and be externally isolated on a dedicated, independent mounting.
- **Indoor Coils** - Indoor coils shall be of the direct expansion, draw through design and have aluminum plate fins mechanically bonded to seamless internally enhanced tin-coated copper tubes with all joints brazed.
- **Condensate Pan** - A corrosion-resistant, long-lasting, water-tight pan is positioned below the indoor coil to collect and drain all condensate, preventing build-up of stagnant condensate. The condensate pan conforms to ASHRAE 62-89 standards (Ventilation for Acceptable Indoor Air Quality).
- **Condensate Drain** - The 3/4 inch NPT female connection is rigidly mounted to assure proper fit and leak tight seal.
- **Outdoor Coils** - Outdoor coils shall have aluminum plate fins mechanically bonded to seamless internally enhanced copper tubes with all joints brazed, and be a draw through design.

Refrigerant Circuit and Refrigerant Safety Components shall include: Thermal expansion devices (TXV's) shall be factory mounted and provided, Filter/strainer to eliminate any foreign matter, reversing valves to control refrigerant flow.

CONTROLS

- **Simple Control Circuit** - Field thermostat wiring connects to color coded leads using twist on wire connections. Cooling controls use contactor and relays for simple application and troubleshooting. Mate-n-lock plug connectors are used. Enhanced ECM indoor blower control is managed by a multi-stage indoor blower control board that includes field adjustable speed tap jumpers for maximum flexibility and product application. The electrical control box is not located in the compressor compartment. The controls are mounted to allow the separate access panel to be removed for trouble shooting and maintenance without affecting the normal system operating pressures. All wiring internal to the unit is color/number coded.
- **Pressure Switches** - A high pressure switch is standard in all units. It is an automatic reset switch. When discharge pressure reaches 650 psi, the compressor will de-energize until pressure reaches 450 psi.
- **Factory Testing** - Installation time and costs are reduced by easy power and control wiring connections. All units are completely wired, charged with R-410A and tested prior to shipment. Test stations using a state-of-the-art computerized process system shall be used to insure product quality. Refrigerant charge and component part numbers are verified via computer bar code scans during assembly. Vital run test statistics such as system pressure, motor currents, air velocity and temperature, unit vibration, and gas system safeties are monitored and recorded by the system to insure unit performance. This data could be provided by serial number tracking if requested.
- **Electric Heat** - All electric heat models use 6HK electric heat, which are available in 230v/1/60 from 2 kW to 25 kW. All kits stageable above 10 kW. Single point accessory kits are available for single phase models. Single phase single point field wiring kits are available for all applications except 25kW. Electric heat kits must be certified to UL 1995 standard requirements.

PHYSICAL DATA

	MODELS					
	PCE6A24	PCE6A30	PCE6B36	PCE6B42	PCE6B48	PCE6B60
NOMINAL TONNAGE:	2.0	2.5	3.0	3.5	4.0	5.0
AHRI Cooling Performance						
Gross Capacity @ AHRI A point (MBH)	24.6	30.7	36.5	43.3	49.1	60.0
AHRI net capacity (MBH)	24.0	30.0	36.0	42.5	45.5	58.0
EER	12.5	12.5	12.5	12.5	12.0	12.0
SEER	16.0	16.0	16.0	16.0	16.0	16.0
Nominal CFM	800	1000	1200	1400	1600	2000
System power (KW)	2.0	2.4	3.0	3.4	3.6	4.6
Refrigerant type	R410A	R410A	R410A	R410A	R410A	R410A
Refrigerant charge (lb-oz)	6-8	8-2	11-8	11-4	13-8	14-0
Dimensions (inches)						
Length	51-1/4	51-1/4	51-1/4	51-1/4	51-1/4	51-1/4
Width	35-3/4	35-3/4	45-3/4	45-3/4	45-3/4	45-3/4
Height	47	47	49	49	53	55
Operating WT. (lbs.)	343	389	460	466	483	500
Compressors						
Type	Scroll	Scroll	Scroll	Scroll	Scroll	Scroll
Stages	2	2	2	2	2	2
Outdoor Coil Data						
Face area (Sq. Ft.)	15.1	15.1	19.5	19.5	23.8	25.9
Rows	1	2	2	2	2	2
Fins per inch	22	22	22	22	22	22
Tube diameter	3/8	3/8	3/8	3/8	3/8	3/8
Circuitry Type	Interlaced	Interlaced	Interlaced	Interlaced	Interlaced	Interlaced
Indoor Coil Data						
Face area (Sq. Ft.)	4.6	4.6	6.3	6.3	6.3	6.3
Rows	3	3	3	3	3	4
Fins per inch	16	16	16	16	16	16
Tube diameter	3/8	3/8	3/8	3/8	3/8	3/8
Circuitry Type	Interlaced	Interlaced	Interlaced	Interlaced	Interlaced	Interlaced
Refrigerant control	TXV	TXV	TXV	TXV	TXV	TXV
Outdoor Fan Data						
Fan diameter (Inch)	24	24	26	26	26	26
Type	Prop	Prop	Prop	Prop	Prop	Prop
Drive type	Direct	Direct	Direct	Direct	Direct	Direct
No. speeds	1	1	1	1	1	1
Motor HP each	1/10	1/8	1/3	1/3	1/3	1/3
RPM	850	850	850	850	850	850
Nominal total CFM	2400	2400	3200	3200	3200	3200
Direct Drive Indoor Fan Data						
Fan Size (Inch)	11 x 8	11 x 8	11 x 10	11 x 10	11 x 10	11 x 10
Type	Centrifugal	Centrifugal	Centrifugal	Centrifugal	Centrifugal	Centrifugal
Motor HP each	1/2	1/2	1/2	3/4	3/4	1
RPM	1200 Max	1200 Max	1200 Max	1200 Max	1200 Max	1200 Max
Frame size	48	48	48	48	48	48
Filters						
Filter Size	A	A	B	B	B	B
Quantity - Size	Field-supplied external filters must be sized so as not to exceed 300 fpm air velocity through disposable filters. For internal filter use, a filter rack kit is available. Consult the instructions supplied with that kit for replacement filter sizes. A=20 x 20, B=20 x 30					

COOLING PERFORMANCE DATA - 2 TON (LOW SPEED)																
PACKAGED UNIT MODEL NO.		PCE6A24														
CONDENSER ENTERING AIR TEMPERATURE	ID CFM	400					550					700				
	IDDB	80	80	75	80	80	80	80	75	80	80	80	80	75	80	80
	IDWB	57	62	62	67	72	57	62	62	67	72	57	62	62	67	72
55 / 45	T.C.	16.4	19.6	18.7	21.6	23.6	18.8	21.6	20.9	23.5	25.4	21.3	23.6	23.1	25.5	27.1
	S.C.	16.3	14.8	12.9	12.9	10.7	18.8	18.0	15.3	15.1	12.1	21.2	21.2	17.7	17.3	13.5
	K.W.	0.66	0.64	0.65	0.63	0.63	0.62	0.61	0.61	0.60	0.60	0.57	0.57	0.57	0.57	0.57
65 / 55	T.C.	15.7	18.5	17.8	20.3	22.6	17.9	20.2	19.6	22.2	24.4	20.1	21.9	21.5	24.1	26.2
	S.C.	15.7	14.3	12.3	12.3	10.2	17.9	17.3	14.6	14.5	11.7	20.1	20.3	16.9	16.7	13.1
	K.W.	0.75	0.74	0.74	0.73	0.72	0.71	0.70	0.70	0.69	0.68	0.67	0.67	0.67	0.66	0.65
75 / 63	T.C.	15.1	17.3	16.9	19.0	21.6	17.0	18.7	18.4	20.9	23.4	19.0	20.1	19.8	22.7	25.3
	S.C.	15.0	13.8	11.8	11.7	9.8	17.0	16.6	14.0	14.0	11.2	19.0	19.4	16.2	16.2	12.7
	K.W.	0.84	0.83	0.83	0.82	0.81	0.80	0.80	0.79	0.78	0.77	0.76	0.76	0.76	0.75	0.73
85 / 69	T.C.	14.1	16.0	15.6	17.5	19.6	15.9	17.3	16.9	19.0	21.2	17.8	18.6	18.2	20.5	22.8
	S.C.	14.0	13.1	11.1	11.1	9.0	15.9	15.7	13.2	13.3	10.4	17.7	18.2	15.4	15.4	11.8
	K.W.	0.96	0.95	0.95	0.94	0.94	0.92	0.92	0.91	0.90	0.90	0.88	0.88	0.88	0.86	0.86
95 / 75	T.C.	13.0	14.7	14.4	16.0	17.7	14.8	15.9	15.4	17.2	19.0	16.5	17.1	16.5	18.4	20.2
	S.C.	13.0	12.4	10.4	10.6	8.1	14.7	14.7	12.4	12.6	9.6	16.4	17.1	14.5	14.6	11.0
	K.W.	1.08	1.08	1.08	1.06	1.07	1.04	1.04	1.04	1.02	1.03	1.00	1.00	1.00	0.98	1.00
105 / 83	T.C.	12.0	13.1	12.8	14.6	15.8	13.5	14.3	13.7	15.6	17.0	15.0	15.5	14.5	16.5	18.1
	S.C.	12.0	11.4	9.6	9.8	7.3	13.5	13.3	11.4	11.8	8.7	15.0	15.1	13.2	13.8	10.0
	K.W.	1.26	1.25	1.25	1.23	1.23	1.21	1.20	1.21	1.19	1.20	1.17	1.16	1.17	1.15	1.17
115 / 89	T.C.	11.0	11.6	11.4	13.3	14.0	12.3	12.8	12.0	14.0	15.0	13.6	13.9	12.6	14.7	16.0
	S.C.	11.0	10.5	8.8	9.1	6.5	12.3	11.8	10.4	11.0	7.8	13.5	13.2	11.9	12.9	9.0
	K.W.	1.42	1.41	1.41	1.39	1.40	1.37	1.37	1.37	1.35	1.37	1.33	1.32	1.33	1.32	1.33
125 / 95	T.C.	10.0	10.1	9.9	11.9	12.1	11.1	11.2	10.3	12.4	13.0	12.1	12.3	10.7	12.8	14.0
	S.C.	10.0	9.6	8.0	8.4	5.7	11.0	10.4	9.4	10.2	6.9	12.1	11.3	10.7	12.1	8.1
	K.W.	1.59	1.58	1.58	1.55	1.56	1.54	1.53	1.54	1.52	1.53	1.49	1.48	1.50	1.48	1.50

COOLING PERFORMANCE DATA - 2 TON (HIGH SPEED)																
PACKAGED UNIT MODEL NO.		PCE6A24														
CONDENSER ENTERING AIR TEMPERATURE	ID CFM	600					800					1000				
	IDDB	80	80	75	80	80	80	80	75	80	80	80	80	75	80	80
	IDWB	57	62	62	67	72	57	62	62	67	72	57	62	62	67	72
55 / 45	T.C.	26.0	28.6	28.4	30.0	31.7	28.0	29.9	29.7	31.2	33.3	30.1	31.2	30.9	32.5	34.9
	S.C.	25.3	22.1	18.7	18.3	14.8	27.3	24.9	21.1	20.5	16.2	29.3	27.8	23.5	22.6	17.6
	K.W.	1.27	1.29	1.29	1.30	1.32	1.25	1.26	1.26	1.28	1.30	1.24	1.24	1.24	1.25	1.27
65 / 55	T.C.	24.5	26.7	27.1	28.5	30.4	26.5	28.1	28.3	29.9	31.8	28.5	29.5	29.5	31.4	33.2
	S.C.	23.9	21.2	18.1	17.7	14.3	26.0	24.3	20.5	19.9	15.7	28.1	27.4	22.9	22.2	17.2
	K.W.	1.41	1.43	1.42	1.44	1.47	1.40	1.40	1.40	1.42	1.44	1.38	1.38	1.38	1.40	1.42
75 / 63	T.C.	23.0	24.7	25.8	27.1	29.2	24.9	26.2	26.9	28.7	30.3	26.9	27.7	28.1	30.3	31.5
	S.C.	22.4	20.3	17.6	17.1	13.8	24.6	23.7	20.0	19.4	15.2	26.8	27.0	22.4	21.7	16.7
	K.W.	1.56	1.57	1.56	1.58	1.61	1.55	1.55	1.54	1.56	1.59	1.53	1.52	1.52	1.54	1.57
85 / 69	T.C.	21.5	23.1	23.7	25.6	27.2	23.4	24.6	25.0	27.0	28.5	25.3	26.0	26.2	28.4	29.8
	S.C.	21.0	19.6	16.6	16.5	13.1	23.0	22.5	19.2	18.8	14.5	25.0	25.4	21.8	21.1	15.9
	K.W.	1.75	1.76	1.75	1.77	1.80	1.73	1.74	1.73	1.75	1.78	1.72	1.71	1.70	1.73	1.76
95 / 75	T.C.	20.1	21.5	21.6	24.2	25.3	21.9	22.9	23.0	25.4	26.7	23.7	24.3	24.4	26.6	28.2
	S.C.	19.6	18.8	15.6	15.8	12.5	21.4	21.2	18.4	18.2	13.8	23.1	23.7	21.1	20.6	15.1
	K.W.	1.94	1.95	1.94	1.96	2.00	1.92	1.93	1.91	1.94	1.98	1.91	1.91	1.88	1.92	1.96
105 / 83	T.C.	18.5	19.7	19.4	21.9	23.2	19.7	20.7	20.4	22.6	24.3	21.0	21.7	21.4	23.3	25.5
	S.C.	18.1	17.8	14.5	14.8	11.6	19.3	19.5	16.8	17.0	12.8	20.4	21.1	19.1	19.2	14.0
	K.W.	2.22	2.22	2.21	2.23	2.27	2.20	2.20	2.18	2.21	2.25	2.18	2.18	2.16	2.19	2.23
115 / 89	T.C.	17.0	18.0	17.3	19.7	21.1	17.6	18.6	17.9	19.9	22.0	18.3	19.1	18.5	20.0	22.9
	S.C.	16.6	16.9	13.5	13.8	10.6	17.2	17.8	15.3	15.8	11.8	17.8	18.6	17.1	17.8	13.1
	K.W.	2.49	2.48	2.47	2.50	2.53	2.46	2.46	2.45	2.47	2.52	2.44	2.44	2.42	2.45	2.50
125 / 95	T.C.	15.5	16.3	15.2	17.5	19.1	15.5	16.5	15.4	17.1	19.7	15.5	16.6	15.5	16.8	20.4
	S.C.	15.1	15.9	12.4	12.8	9.7	15.1	16.0	13.8	14.6	10.9	15.2	16.2	15.2	16.4	12.1
	K.W.	2.76	2.75	2.74	2.76	2.80	2.73	2.73	2.71	2.73	2.78	2.70	2.71	2.68	2.71	2.77

COOLING PERFORMANCE DATA - 2.5 TON (LOW SPEED)																
PACKAGED UNIT MODEL NO.		PCE6A30														
CONDENSER ENTERING AIR TEMPERATURE	ID CFM	550					750					950				
	IDDB	80	80	75	80	80	80	80	75	80	80	80	80	75	80	80
	IDWB	57	62	62	67	72	57	62	62	67	72	57	62	62	67	72
55 / 45	T.C.	21.3	24.1	24.3	26.9	28.5	24.0	26.2	26.1	28.7	30.6	26.7	28.3	27.9	30.6	32.6
	S.C.	21.1	19.0	16.2	16.5	13.2	23.7	22.5	18.9	19.0	14.7	26.4	26.0	21.6	21.4	16.1
	K.W.	1.12	1.10	1.10	1.09	1.08	1.10	1.10	1.10	1.08	1.08	1.09	1.09	1.09	1.08	1.08
65 / 55	T.C.	19.6	22.2	22.5	24.9	27.1	21.9	24.0	24.1	26.7	29.2	24.3	25.9	25.7	28.5	31.4
	S.C.	19.4	17.9	15.3	15.6	12.6	21.7	21.2	17.8	18.1	14.1	24.0	24.6	20.4	20.5	15.7
	K.W.	1.28	1.27	1.27	1.25	1.24	1.26	1.26	1.26	1.24	1.24	1.24	1.24	1.24	1.23	1.23
75 / 63	T.C.	17.9	20.3	20.6	23.0	25.6	19.9	21.9	22.0	24.7	27.8	21.9	23.4	23.4	26.4	30.1
	S.C.	17.7	16.7	14.3	14.7	12.0	19.6	19.9	16.8	17.2	13.6	21.6	23.2	19.2	19.6	15.3
	K.W.	1.44	1.43	1.43	1.40	1.40	1.42	1.41	1.41	1.40	1.40	1.40	1.40	1.40	1.39	1.39
85 / 69	T.C.	17.1	18.8	19.0	21.5	23.6	18.5	19.9	20.3	22.9	25.8	19.9	21.0	21.5	24.2	27.9
	S.C.	16.9	16.0	13.6	13.8	11.1	18.3	18.4	15.9	16.1	12.6	19.7	20.8	18.1	18.3	14.1
	K.W.	1.64	1.63	1.63	1.61	1.62	1.62	1.62	1.62	1.60	1.62	1.60	1.61	1.61	1.59	1.61
95 / 75	T.C.	16.3	17.3	17.5	19.9	21.7	17.1	17.9	18.5	21.0	23.8	18.0	18.6	19.6	22.1	25.8
	S.C.	16.1	15.3	12.9	12.9	10.2	17.0	16.9	15.0	15.0	11.6	17.8	18.4	17.0	17.1	12.9
	K.W.	1.85	1.84	1.84	1.82	1.84	1.83	1.83	1.83	1.81	1.83	1.81	1.82	1.82	1.80	1.83
105 / 83	T.C.	14.3	15.2	15.4	17.5	19.7	14.9	15.7	16.2	18.3	21.3	15.5	16.2	17.0	19.0	22.9
	S.C.	14.1	13.8	11.9	11.9	9.3	14.7	14.9	13.6	13.8	10.6	15.3	16.0	15.2	15.7	11.9
	K.W.	2.14	2.13	2.13	2.12	2.13	2.12	2.12	2.12	2.10	2.13	2.10	2.11	2.11	2.09	2.13
115 / 89	T.C.	12.3	13.1	13.4	15.2	17.7	12.7	13.5	13.9	15.6	18.8	13.0	13.9	14.4	16.0	20.0
	S.C.	12.2	12.4	11.0	11.0	8.5	12.5	13.1	12.2	12.7	9.7	12.9	13.7	13.5	14.3	10.9
	K.W.	2.43	2.42	2.41	2.40	2.42	2.40	2.40	2.40	2.39	2.42	2.38	2.38	2.39	2.37	2.41
125 / 95	T.C.	10.4	11.0	11.3	12.8	15.7	10.5	11.3	11.6	12.9	16.4	10.6	11.6	11.9	13.1	17.1
	S.C.	10.2	10.9	10.0	10.1	7.6	10.4	11.2	10.9	11.5	8.7	10.5	11.5	11.7	12.9	9.9
	K.W.	2.71	2.71	2.70	2.69	2.71	2.69	2.69	2.69	2.67	2.70	2.66	2.66	2.67	2.66	2.70

COOLING PERFORMANCE DATA - 2.5 TON (HIGH SPEED)																
PACKAGED UNIT MODEL NO.		PCE6A30														
CONDENSER ENTERING AIR TEMPERATURE	ID CFM	750					950					1150				
	IDDB	80	80	75	80	80	80	80	75	80	80	80	80	75	80	80
	IDWB	57	62	62	67	72	57	62	62	67	72	57	62	62	67	72
55 / 45	T.C.	31.5	35.1	34.4	39.1	42.4	34.1	37.4	36.7	40.7	44.1	36.8	39.7	38.9	42.3	45.7
	S.C.	31.2	27.4	24.0	24.4	19.6	33.8	31.2	26.8	26.6	20.8	36.4	34.9	29.5	28.9	21.9
	K.W.	1.63	1.64	1.64	1.68	1.69	1.73	1.74	1.73	1.76	1.78	1.82	1.84	1.82	1.85	1.86
65 / 55	T.C.	29.3	33.1	32.4	36.7	40.8	31.7	35.0	34.4	38.4	42.6	34.2	36.9	36.4	40.0	44.4
	S.C.	29.0	26.1	22.7	23.0	18.7	31.4	29.6	25.2	25.3	20.1	33.9	33.0	27.7	27.6	21.5
	K.W.	1.81	1.83	1.83	1.86	1.88	1.91	1.92	1.91	1.94	1.97	2.00	2.01	2.00	2.03	2.06
75 / 63	T.C.	27.1	31.0	30.4	34.4	39.2	29.3	32.6	32.1	36.0	41.2	31.6	34.1	33.9	37.6	43.1
	S.C.	26.8	24.8	21.3	21.6	17.9	29.1	27.9	23.6	23.9	19.4	31.3	31.1	26.0	26.3	21.0
	K.W.	1.98	2.01	2.01	2.03	2.07	2.08	2.10	2.10	2.12	2.16	2.18	2.18	2.18	2.21	2.26
85 / 69	T.C.	25.8	28.8	28.4	32.0	36.6	27.5	30.0	29.8	33.4	38.4	29.3	31.1	31.1	34.8	40.2
	S.C.	25.5	23.6	20.2	20.4	16.9	27.2	26.6	22.4	22.7	18.3	29.0	29.5	24.6	25.0	19.7
	K.W.	2.22	2.25	2.24	2.27	2.31	2.32	2.33	2.33	2.36	2.40	2.42	2.42	2.42	2.45	2.49
95 / 75	T.C.	24.5	26.6	26.4	29.7	34.1	25.7	27.4	27.4	30.8	35.6	26.9	28.2	28.3	31.9	37.2
	S.C.	24.2	22.4	19.1	19.2	15.8	25.4	25.2	21.2	21.5	17.1	26.6	27.9	23.2	23.8	18.3
	K.W.	2.46	2.49	2.47	2.51	2.55	2.56	2.57	2.56	2.60	2.64	2.65	2.65	2.65	2.69	2.73
105 / 83	T.C.	22.3	23.9	23.8	26.7	30.7	23.1	24.3	24.4	27.5	31.8	23.8	24.8	24.9	28.3	33.0
	S.C.	22.1	21.0	17.9	18.0	14.5	22.8	22.8	19.7	20.2	15.7	23.6	24.6	21.5	22.3	16.8
	K.W.	2.81	2.83	2.82	2.85	2.89	2.91	2.92	2.91	2.94	2.98	3.01	3.01	3.00	3.03	3.07
115 / 89	T.C.	20.2	21.2	21.3	23.7	27.4	20.5	21.4	21.5	24.2	28.1	20.8	21.6	21.6	24.7	28.9
	S.C.	20.0	19.7	16.6	16.8	13.2	20.3	20.5	18.2	18.9	14.3	20.6	21.3	19.8	21.0	15.4
	K.W.	3.16	3.17	3.16	3.19	3.22	3.25	3.26	3.24	3.27	3.31	3.35	3.35	3.33	3.36	3.40
125 / 95	T.C.	18.0	18.5	18.8	20.8	24.1	18.0	18.4	18.5	21.0	24.5	17.9	18.3	18.3	21.1	24.9
	S.C.	17.9	18.3	15.4	15.5	11.9	17.8	18.2	16.8	17.6	12.9	17.7	18.1	18.1	19.6	14.0
	K.W.	3.50	3.51	3.50	3.52	3.56	3.59	3.60	3.58	3.60	3.65	3.69	3.69	3.66	3.69	3.74

COOLING PERFORMANCE DATA - 3 TON (LOW SPEED)																
PACKAGED UNIT MODEL NO.		PCE6B36														
CONDENSER ENTERING AIR TEMPERATURE	ID CFM	600					800					1000				
	IDDB	80	80	75	80	80	80	80	75	80	80	80	80	75	80	80
	IDWB	57	62	62	67	72	57	62	62	67	72	57	62	62	67	72
55 / 45	T.C.	34.8	41.4	41.7	46.0	49.1	37.3	41.2	41.5	44.6	47.3	39.7	41.0	41.2	43.1	45.4
	S.C.	34.1	28.8	25.1	25.4	20.5	36.8	32.1	27.8	26.7	21.0	39.4	35.4	30.6	28.0	21.5
	K.W.	2.35	2.20	2.19	2.16	2.13	2.30	2.16	2.16	2.13	2.11	2.25	2.13	2.13	2.11	2.09
65 / 55	T.C.	33.2	39.0	39.2	43.6	47.3	35.4	38.8	38.8	42.6	45.7	37.6	38.5	38.4	41.7	44.2
	S.C.	32.4	27.6	23.7	24.2	19.5	34.8	30.7	26.3	25.9	20.3	37.3	33.9	28.9	27.6	21.2
	K.W.	2.56	2.40	2.39	2.36	2.33	2.51	2.37	2.36	2.34	2.31	2.46	2.33	2.33	2.31	2.29
75 / 63	T.C.	31.5	36.6	36.7	41.2	45.5	33.5	36.3	36.1	40.7	44.2	35.4	36.0	35.6	40.2	42.9
	S.C.	30.7	26.4	22.2	22.9	18.4	32.9	29.4	24.8	25.0	19.6	35.1	32.4	27.3	27.2	20.8
	K.W.	2.77	2.61	2.59	2.57	2.52	2.71	2.57	2.56	2.54	2.50	2.66	2.53	2.54	2.51	2.48
85 / 69	T.C.	30.2	34.7	34.1	38.9	42.3	31.6	34.0	33.4	38.3	41.2	33.0	33.3	32.7	37.8	40.0
	S.C.	29.1	25.1	21.0	21.6	17.0	30.9	28.3	23.5	24.0	18.2	32.7	31.4	25.9	26.4	19.4
	K.W.	3.03	2.90	2.86	2.84	2.78	2.98	2.85	2.83	2.80	2.76	2.92	2.80	2.80	2.77	2.74
95 / 75	T.C.	28.8	32.7	31.5	36.6	39.2	29.6	31.7	30.6	36.0	38.1	30.5	30.7	29.8	35.4	37.1
	S.C.	27.4	23.9	19.8	20.4	15.7	28.8	27.1	22.2	23.0	16.8	30.2	30.4	24.5	25.6	17.9
	K.W.	3.29	3.20	3.13	3.11	3.05	3.24	3.13	3.09	3.07	3.02	3.19	3.06	3.06	3.03	2.99
105 / 83	T.C.	25.6	28.5	27.8	32.8	35.3	26.1	27.7	26.8	31.7	33.9	26.5	26.9	25.7	30.5	32.4
	S.C.	23.7	21.5	17.5	18.5	13.9	25.0	24.1	19.8	20.8	14.8	26.3	26.7	22.2	23.2	15.8
	K.W.	3.61	3.55	3.49	3.48	3.41	3.56	3.49	3.46	3.44	3.39	3.50	3.43	3.44	3.40	3.36
115 / 89	T.C.	22.5	24.4	24.2	29.1	31.6	22.6	23.8	23.0	27.5	29.8	22.7	23.2	21.8	25.8	27.9
	S.C.	20.1	19.1	15.2	16.6	12.1	21.3	21.1	17.6	18.7	12.9	22.5	23.0	20.0	20.9	13.7
	K.W.	3.92	3.88	3.84	3.83	3.77	3.87	3.83	3.82	3.79	3.74	3.81	3.78	3.80	3.76	3.72
125 / 95	T.C.	19.4	20.4	20.6	25.5	27.9	19.2	20.0	19.3	23.2	25.7	18.9	19.6	17.9	21.0	23.4
	S.C.	16.5	16.8	13.0	14.7	10.4	17.6	18.1	15.4	16.6	11.0	18.7	19.4	17.7	18.5	11.7
	K.W.	4.23	4.22	4.19	4.19	4.13	4.17	4.18	4.18	4.15	4.10	4.11	4.14	4.17	4.12	4.07

COOLING PERFORMANCE DATA - 3 TON (HIGH SPEED)																
PACKAGED UNIT MODEL NO.		PCE6B36														
CONDENSER ENTERING AIR TEMPERATURE	ID CFM	1000					1200					1400				
	IDDB	80	80	75	80	80	80	80	75	80	80	80	80	75	80	80
	IDWB	57	62	62	67	72	57	62	62	67	72	57	62	62	67	72
55 / 45	T.C.	38.5	41.0	40.0	43.2	46.6	41.2	42.8	41.7	45.6	48.4	43.8	44.6	43.5	48.0	50.2
	S.C.	36.0	32.3	27.5	27.7	0.6	38.3	35.5	30.0	29.9	12.8	40.6	38.7	32.5	32.0	25.0
	K.W.	2.02	2.04	2.03	2.07	2.09	2.11	2.12	2.12	2.15	2.17	2.20	2.20	2.20	2.24	2.25
65 / 55	T.C.	37.1	38.7	32.0	41.6	44.3	39.6	40.4	36.6	43.6	46.6	42.1	42.2	41.2	45.5	48.9
	S.C.	34.6	31.4	25.6	26.7	11.6	36.8	34.7	28.6	29.1	17.9	39.0	38.0	31.7	31.4	24.1
	K.W.	2.21	2.24	3.08	2.27	2.29	2.31	2.32	2.74	2.35	2.37	2.40	2.40	2.40	2.44	2.46
75 / 63	T.C.	35.6	36.3	24.1	40.1	41.9	38.0	38.1	31.5	41.5	44.7	40.4	39.8	38.9	43.0	47.5
	S.C.	33.3	30.5	23.7	25.7	22.5	35.3	33.9	27.3	28.2	22.9	37.4	37.3	30.9	30.8	23.3
	K.W.	2.41	2.43	4.13	2.47	2.48	2.51	2.52	3.36	2.55	2.57	2.61	2.61	2.59	2.64	2.67
85 / 69	T.C.	33.9	34.1	27.9	37.4	40.3	36.1	35.6	32.1	38.8	42.6	38.3	37.1	36.3	40.1	44.8
	S.C.	31.6	29.4	23.5	24.6	20.5	33.4	32.5	26.5	27.0	21.3	35.3	35.7	29.5	29.5	22.2
	K.W.	2.68	2.69	3.54	2.73	2.74	2.77	2.78	3.20	2.81	2.83	2.87	2.87	2.85	2.90	2.92
95 / 75	T.C.	32.2	31.9	31.7	34.8	38.7	34.2	33.1	32.7	36.0	40.4	36.2	34.3	33.7	37.2	42.1
	S.C.	29.8	28.2	23.2	23.4	18.5	31.5	31.2	25.7	25.8	19.8	33.2	34.1	28.1	28.2	21.1
	K.W.	2.94	2.95	2.95	2.99	3.00	3.03	3.04	3.03	3.07	3.09	3.13	3.13	3.11	3.15	3.17
105 / 83	T.C.	29.4	29.0	28.8	31.6	35.7	31.0	30.1	29.5	32.5	37.0	32.7	31.2	30.2	33.5	38.3
	S.C.	27.8	26.5	21.8	22.0	17.1	29.2	28.7	24.0	24.3	18.3	30.7	30.9	26.3	26.6	19.6
	K.W.	3.34	3.35	3.35	3.38	3.40	3.43	3.43	3.43	3.46	3.48	3.52	3.52	3.51	3.54	3.56
115 / 89	T.C.	26.7	26.1	25.9	28.4	32.8	28.0	27.1	26.4	29.1	33.7	29.3	28.1	26.8	29.8	34.6
	S.C.	25.7	24.8	20.4	20.5	15.8	27.0	26.4	22.4	22.8	16.9	28.2	27.9	24.5	25.2	18.1
	K.W.	3.74	3.73	3.73	3.76	3.78	3.82	3.82	3.81	3.84	3.86	3.90	3.90	3.88	3.91	3.94
125 / 95	T.C.	24.1	23.3	23.1	25.3	29.9	25.0	24.1	23.3	25.7	30.4	25.9	25.0	23.4	26.1	30.9
	S.C.	23.7	23.1	18.9	19.1	14.4	24.7	24.0	20.9	21.4	15.5	25.7	24.8	22.8	23.7	16.6
	K.W.	4.13	4.11	4.11	4.14	4.16	4.21	4.20	4.19	4.21	4.24	4.29	4.29	4.26	4.29	4.31

COOLING PERFORMANCE DATA - 3.5 TON (LOW SPEED)																
PACKAGED UNIT MODEL NO.		PCE6B42														
CONDENSER ENTERING AIR TEMPERATURE	ID CFM	800					1000					1200				
	IDDB	80	80	75	80	80	80	80	75	80	80	80	80	75	80	80
	IDWB	57	62	62	67	72	57	62	62	67	72	57	62	62	67	72
55 / 45	T.C.	30.2	33.8	24.4	36.3	39.4	33.3	36.0	26.3	37.9	40.4	36.4	38.2	28.1	39.5	41.3
	S.C.	29.7	26.3	23.9	21.8	18.2	32.0	29.6	25.8	23.8	19.3	34.4	32.8	27.6	25.9	20.4
	K.W.	0.97	0.96	0.93	0.98	0.98	0.97	0.97	0.94	1.00	1.00	0.97	0.97	0.94	1.01	1.01
65 / 55	T.C.	27.7	32.0	23.2	34.8	37.3	30.3	34.0	25.4	36.6	38.9	32.8	36.0	27.6	38.4	40.6
	S.C.	27.3	25.4	22.6	21.3	17.5	29.5	28.7	24.7	23.6	19.0	31.7	31.9	26.8	25.9	20.5
	K.W.	1.13	1.11	1.09	1.14	1.10	1.13	1.12	1.09	1.15	1.11	1.12	1.13	1.09	1.15	1.13
75 / 63	T.C.	25.2	30.1	22.1	33.3	35.1	27.2	32.0	24.6	35.3	37.5	29.2	33.9	27.1	37.3	40.0
	S.C.	25.0	24.5	21.2	20.9	16.9	27.0	27.8	23.6	23.5	18.7	29.0	31.1	26.0	26.0	20.5
	K.W.	1.29	1.26	1.25	1.29	1.22	1.28	1.27	1.24	1.30	1.23	1.27	1.28	1.24	1.30	1.25
85 / 69	T.C.	22.4	27.0	21.1	31.1	34.4	24.1	29.0	23.5	33.0	35.8	25.9	31.0	26.0	34.9	37.2
	S.C.	22.2	22.4	20.2	19.6	16.0	23.9	25.8	22.5	22.2	17.6	25.7	29.1	24.8	24.8	19.3
	K.W.	1.48	1.47	1.45	1.49	1.43	1.48	1.48	1.45	1.49	1.44	1.48	1.49	1.45	1.50	1.45
95 / 75	T.C.	19.6	23.9	20.1	28.9	33.8	21.0	26.0	22.5	30.7	34.1	22.5	28.2	24.8	32.5	34.4
	S.C.	19.4	20.3	19.2	18.3	15.0	20.9	23.7	21.4	21.0	16.5	22.3	27.1	23.6	23.7	18.0
	K.W.	1.67	1.68	1.66	1.68	1.63	1.69	1.69	1.66	1.69	1.64	1.70	1.70	1.66	1.70	1.65
105 / 83	T.C.	17.0	20.4	18.8	25.0	29.8	18.6	22.2	21.1	27.0	31.3	20.2	23.9	23.4	29.0	32.9
	S.C.	16.8	18.0	17.9	17.6	13.4	18.4	20.6	20.0	20.2	14.9	20.0	23.2	22.1	22.7	16.3
	K.W.	1.94	1.94	1.92	1.94	1.90	1.95	1.95	1.92	1.95	1.91	1.96	1.96	1.93	1.95	1.92
115 / 89	T.C.	14.5	17.0	17.5	21.2	25.8	16.2	18.4	19.8	23.4	28.7	18.0	19.8	22.0	25.6	31.5
	S.C.	14.4	15.8	16.6	17.0	11.9	16.1	17.6	18.6	19.3	13.3	17.8	19.4	20.7	21.7	14.7
	K.W.	2.19	2.20	2.17	2.19	2.16	2.20	2.20	2.18	2.20	2.17	2.21	2.21	2.19	2.20	2.18
125 / 95	T.C.	12.0	13.6	16.2	17.4	21.9	13.9	14.7	18.5	19.8	26.0	15.8	15.8	20.7	22.1	30.1
	S.C.	11.9	13.5	15.3	16.3	10.3	13.7	14.6	17.3	18.5	11.7	15.6	15.6	19.3	20.8	13.1
	K.W.	2.45	2.45	2.42	2.44	2.42	2.46	2.46	2.44	2.45	2.43	2.47	2.47	2.46	2.45	2.44

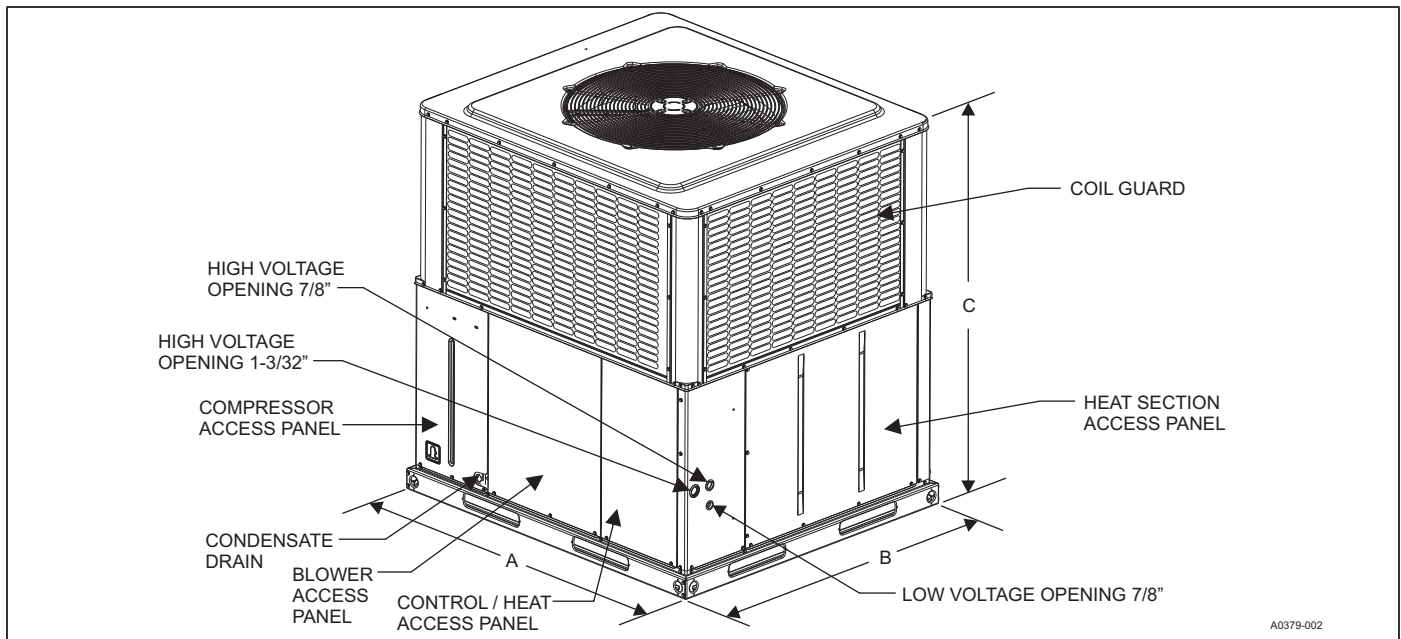
COOLING PERFORMANCE DATA - 3.5 TON (HIGH SPEED)																
PACKAGED UNIT MODEL NO.		PCE6B42														
CONDENSER ENTERING AIR TEMPERATURE	ID CFM	1120					1320					1520				
	IDDB	80	80	75	80	80	80	80	75	80	80	80	80	75	80	80
	IDWB	57	62	62	67	72	57	62	62	67	72	57	62	62	67	72
55 / 45	T.C.	43.6	47.7	30.8	50.0	55.0	45.8	49.6	31.8	51.4	55.8	48.1	51.4	32.8	52.8	56.7
	S.C.	41.7	36.8	29.9	30.0	23.2	43.7	39.6	30.9	31.2	23.8	45.8	42.4	31.9	32.3	24.5
	K.W.	2.19	2.22	2.17	2.16	2.16	2.29	2.30	2.26	2.22	2.21	2.39	2.39	2.36	2.27	2.26
65 / 55	T.C.	39.9	45.2	31.1	49.1	53.4	41.9	47.2	32.4	50.5	55.0	44.0	49.3	33.6	51.8	56.7
	S.C.	38.6	35.7	29.9	29.6	23.2	40.5	38.8	31.2	31.1	24.3	42.5	41.8	32.4	32.6	25.4
	K.W.	2.44	2.46	2.43	2.42	2.46	2.54	2.56	2.53	2.48	2.54	2.64	2.65	2.64	2.54	2.61
75 / 63	T.C.	36.1	42.7	31.4	48.3	51.8	38.0	44.9	33.0	49.6	54.2	39.9	47.1	34.5	50.8	56.6
	S.C.	35.5	34.6	29.9	29.2	23.2	37.3	37.9	31.4	31.1	24.8	39.2	41.2	33.0	32.9	26.4
	K.W.	2.68	2.71	2.69	2.67	2.77	2.79	2.81	2.80	2.74	2.86	2.90	2.91	2.91	2.80	2.95
85 / 69	T.C.	33.3	39.4	30.5	45.2	49.9	35.2	41.2	32.4	46.2	52.0	37.0	42.9	34.3	47.3	54.0
	S.C.	32.8	33.0	29.0	27.8	22.0	34.5	35.3	30.8	30.0	23.4	36.3	37.6	32.7	32.2	24.8
	K.W.	3.02	3.03	3.05	3.04	3.09	3.12	3.13	3.16	3.12	3.18	3.22	3.22	3.26	3.20	3.28
95 / 75	T.C.	30.5	36.0	29.7	42.0	48.0	32.3	37.4	31.9	42.9	49.7	34.1	38.8	34.1	43.8	51.4
	S.C.	30.0	31.4	28.1	26.4	20.9	31.7	32.7	30.2	29.0	22.1	33.5	34.0	32.4	31.6	23.3
	K.W.	3.35	3.35	3.40	3.41	3.41	3.45	3.45	3.51	3.50	3.51	3.54	3.54	3.61	3.59	3.60
105 / 83	T.C.	27.9	32.6	28.2	38.0	44.3	29.5	33.5	30.4	38.7	45.5	31.0	34.4	32.5	39.4	46.8
	S.C.	27.5	29.1	26.6	24.7	19.2	29.0	30.1	28.7	27.1	20.3	30.5	31.0	30.7	29.5	21.5
	K.W.	3.81	3.81	3.87	3.82	3.86	3.90	3.90	3.97	3.90	3.96	4.00	4.00	4.07	3.97	4.05
115 / 89	T.C.	25.4	29.3	26.8	34.1	40.6	26.7	29.7	28.9	34.7	41.5	28.0	30.1	31.0	35.2	42.4
	S.C.	25.0	26.9	25.1	23.0	17.6	26.3	27.6	27.2	25.2	18.6	27.5	28.2	29.2	27.4	19.7
	K.W.	4.25	4.25	4.32	4.21	4.30	4.35	4.34	4.42	4.28	4.39	4.44	4.44	4.52	4.35	4.49
125 / 95	T.C.	22.9	25.9	25.4	30.3	37.0	24.0	25.9	27.4	30.6	37.5	25.1	25.8	29.5	30.9	37.9
	S.C.	22.5	24.7	23.7	21.3	15.9	23.6	25.1	25.6	23.4	17.0	24.6	25.4	27.6	25.4	18.0
	K.W.	4.69	4.69	4.78	4.61	4.74	4.79	4.78	4.87	4.67	4.83	4.89	4.88	4.97	4.73	4.93

COOLING PERFORMANCE DATA - 4 TON (LOW SPEED)																	
PACKAGED UNIT MODEL NO.		PCE6B48															
CONDENSER ENTERING AIR TEMPERATURE	ID CFM	900					1100					1300					
	IDDB	80	80	75	80	80	80	80	75	80	80	80	80	80	75	80	80
	IDWB	57	62	62	67	72	57	62	62	67	72	57	62	62	67	72	
55 / 45	T.C.	34.3	37.4	36.3	41.1	45.6	37.5	39.7	38.7	43.6	48.0	40.6	42.1	41.1	46.2	50.3	
	S.C.	32.3	28.7	24.7	24.9	20.0	34.8	32.1	27.2	27.2	21.8	37.4	35.5	29.8	29.6	23.6	
	K.W.	1.67	1.64	1.65	1.63	1.49	1.63	1.61	1.62	1.59	1.52	1.58	1.58	1.58	1.56	1.55	
65 / 55	T.C.	32.4	34.5	34.1	38.7	43.8	35.2	36.8	36.6	41.0	46.2	38.1	39.1	39.1	43.3	48.7	
	S.C.	30.4	27.4	21.0	23.5	18.9	32.8	30.2	23.2	25.8	20.7	35.1	33.0	25.3	28.1	22.5	
	K.W.	1.86	1.83	1.85	1.79	1.73	1.85	1.83	1.84	1.82	1.76	1.84	1.82	1.83	1.84	1.79	
75 / 63	T.C.	30.4	31.6	32.0	36.3	42.0	33.0	33.9	34.5	38.4	44.5	35.5	36.2	37.1	40.4	47.0	
	S.C.	28.6	26.0	17.4	22.1	17.8	30.7	28.2	19.1	24.4	19.6	32.9	30.5	20.8	26.6	21.5	
	K.W.	2.05	2.03	2.04	1.96	1.97	2.07	2.05	2.06	2.05	2.01	2.10	2.06	2.08	2.13	2.04	
85 / 69	T.C.	27.3	29.1	28.2	34.0	39.1	29.4	31.1	29.9	35.7	41.2	31.4	33.0	31.6	37.5	43.4	
	S.C.	26.2	23.9	18.1	20.8	16.5	28.0	26.6	19.9	22.9	18.0	29.9	29.3	21.8	25.1	19.5	
	K.W.	2.39	2.36	2.43	2.37	2.30	2.41	2.38	2.42	2.39	2.33	2.43	2.41	2.41	2.42	2.36	
95 / 75	T.C.	24.2	26.7	24.5	31.6	36.1	25.8	28.2	25.3	33.1	37.9	27.4	29.7	26.2	34.6	39.7	
	S.C.	23.8	21.8	18.8	19.4	15.1	25.4	25.0	20.8	21.5	16.4	26.9	28.2	22.8	23.6	17.6	
	K.W.	2.72	2.68	2.82	2.78	2.63	2.74	2.72	2.78	2.74	2.65	2.76	2.75	2.74	2.70	2.68	
105 / 83	T.C.	21.9	23.6	20.8	27.3	32.6	23.1	24.7	21.1	29.0	33.9	24.2	25.7	21.3	30.6	35.3	
	S.C.	21.5	20.3	17.0	19.1	13.6	22.7	22.5	18.0	21.1	14.7	23.9	24.6	19.0	23.2	15.7	
	K.W.	3.15	3.16	3.22	3.16	3.06	3.17	3.17	3.20	3.14	3.09	3.18	3.18	3.18	3.12	3.12	
115 / 89	T.C.	19.6	20.6	17.1	23.2	29.2	20.4	21.2	16.9	25.0	30.1	21.2	21.8	16.6	26.8	31.1	
	S.C.	19.3	18.8	15.1	18.8	12.2	20.1	20.0	15.3	20.8	13.0	20.9	21.1	15.4	22.7	13.9	
	K.W.	3.56	3.63	3.60	3.53	3.47	3.58	3.61	3.60	3.53	3.51	3.59	3.60	3.60	3.53	3.54	
125 / 95	T.C.	17.3	17.6	13.5	19.1	25.7	17.7	17.8	12.7	21.0	26.3	18.2	17.9	11.9	22.9	26.8	
	S.C.	17.0	17.4	13.3	18.6	10.7	17.4	17.5	12.5	20.4	11.4	17.9	17.6	11.8	22.3	12.1	
	K.W.	3.98	4.10	3.98	3.91	3.89	3.99	4.05	4.00	3.92	3.93	4.00	4.01	4.02	3.93	3.97	

COOLING PERFORMANCE DATA - 4 TON (HIGH SPEED)																
PACKAGED UNIT MODEL NO.		PCE6B48														
CONDENSER ENTERING AIR TEMPERATURE	ID CFM	1400					1600					1800				
	IDDB	80	80	75	80	80	80	80	75	80	80	80	80	75	80	80
	IDWB	57	62	62	67	72	57	62	62	67	72	57	62	62	67	72
55 / 45	T.C.	46.5	54.3	55.5	56.6	59.6	47.9	54.3	55.6	56.8	59.9	49.2	54.3	55.6	56.9	60.1
	S.C.	45.7	41.3	35.4	35.0	27.8	47.2	43.3	36.8	35.0	28.0	48.7	45.2	38.2	35.0	28.1
	K.W.	2.66	2.72	2.72	2.93	2.75	2.76	2.80	2.80	2.92	2.82	2.86	2.88	2.87	2.90	2.89
65 / 55	T.C.	43.8	51.2	52.2	54.8	58.3	44.9	51.7	52.7	54.8	58.7	46.1	52.1	53.3	54.9	59.1
	S.C.	43.3	40.2	34.1	33.8	27.0	44.3	35.9	37.0	34.7	31.7	45.3	31.7	40.0	35.5	36.5
	K.W.	2.93	3.06	2.98	3.11	3.13	3.03	3.06	3.06	3.15	3.16	3.13	3.06	3.14	3.19	3.20
75 / 63	T.C.	41.1	48.2	48.8	52.9	56.9	42.0	49.1	49.9	52.9	57.5	43.0	49.9	51.0	52.8	58.1
	S.C.	41.0	39.1	32.9	32.6	26.1	41.5	28.6	37.3	34.3	35.5	41.9	18.2	41.8	36.0	44.9
	K.W.	3.19	3.39	3.24	3.29	3.51	3.29	3.32	3.33	3.38	3.51	3.39	3.25	3.41	3.47	3.50
85 / 69	T.C.	40.3	45.2	46.3	49.4	53.8	40.1	45.6	46.8	49.2	54.0	39.9	46.1	47.2	48.9	54.2
	S.C.	39.8	37.3	31.1	31.2	24.6	39.4	33.1	34.1	32.8	29.8	39.1	28.9	37.2	34.4	34.9
	K.W.	3.55	3.66	3.58	3.72	3.77	3.64	3.67	3.66	3.77	3.81	3.74	3.67	3.75	3.81	3.85
95 / 75	T.C.	39.4	42.2	43.8	45.9	50.7	38.1	42.2	43.6	45.5	50.5	36.8	42.3	43.4	45.1	50.3
	S.C.	38.6	35.5	29.3	29.7	23.1	37.4	37.6	30.9	31.2	24.1	36.2	39.7	32.6	32.7	25.0
	K.W.	3.91	3.93	3.92	4.15	4.03	4.00	4.01	4.00	4.15	4.11	4.09	4.09	4.08	4.15	4.19
105 / 83	T.C.	34.6	37.5	39.1	41.7	46.5	34.0	37.9	39.0	41.3	46.1	33.4	38.3	38.9	40.9	45.7
	S.C.	34.0	33.1	27.4	27.8	21.2	33.4	34.8	26.2	29.3	22.0	32.9	36.5	25.1	30.9	22.9
	K.W.	4.42	4.49	4.43	4.65	4.58	4.51	4.54	4.47	4.65	4.63	4.59	4.60	4.52	4.65	4.68
115 / 89	T.C.	29.9	33.0	34.6	37.7	42.4	30.0	33.8	34.5	37.2	41.8	30.1	34.5	34.5	36.8	41.2
	S.C.	29.5	30.7	25.5	26.0	19.3	29.6	32.1	21.7	27.6	20.1	29.8	33.5	17.9	29.1	20.8
	K.W.	4.91	5.03	4.92	5.14	5.12	5.00	5.06	4.94	5.13	5.14	5.09	5.09	4.95	5.13	5.17
125 / 95	T.C.	25.2	28.4	30.1	33.6	38.2	26.0	29.6	30.1	33.2	37.5	26.8	30.7	30.1	32.7	36.7
	S.C.	25.0	28.4	23.6	24.2	17.5	25.8	29.4	17.1	25.8	18.1	26.6	30.4	10.6	27.3	18.8
	K.W.	5.41	5.58	5.41	5.62	5.66	5.50	5.58	5.40	5.62	5.66	5.58	5.58	5.39	5.62	5.65

COOLING PERFORMANCE DATA - 5 TON (LOW SPEED)																
PACKAGED UNIT MODEL NO.		PCE6B60														
CONDENSER ENTERING AIR TEMPERATURE	ID CFM	1100					1300					1500				
	IDDB	80	80	75	80	80	80	80	75	80	80	80	80	75	80	80
	IDWB	57	62	62	67	72	57	62	62	67	72	57	62	62	67	72
55 / 45	T.C.	44.6	51.1	50.5	55.7	59.9	47.1	53.0	51.7	57.4	61.8	49.5	54.9	53.0	59.2	63.8
	S.C.	44.6	43.1	36.8	36.5	30.0	47.1	47.5	40.0	39.4	31.6	49.5	51.8	43.3	42.4	33.3
	K.W.	1.77	1.77	1.77	1.74	1.90	1.87	1.87	1.88	1.84	1.92	1.98	1.98	1.99	1.94	1.94
65 / 55	T.C.	42.1	47.6	46.8	52.1	57.3	44.3	49.4	48.4	53.9	59.6	46.6	51.2	50.1	55.7	61.9
	S.C.	42.1	41.4	35.0	34.9	28.5	44.3	45.6	38.1	37.8	30.2	46.6	49.9	41.2	40.8	31.9
	K.W.	2.05	2.05	2.14	2.11	2.08	2.15	2.15	2.20	2.16	2.14	2.25	2.24	2.25	2.22	2.20
75 / 63	T.C.	39.6	44.2	43.1	48.5	54.8	41.6	45.8	45.1	50.3	57.4	43.7	47.4	47.1	52.1	60.1
	S.C.	39.6	39.6	33.3	33.3	26.9	41.6	43.8	36.2	36.2	28.7	43.7	47.4	39.1	39.2	30.4
	K.W.	2.34	2.33	2.51	2.48	2.26	2.43	2.42	2.51	2.48	2.36	2.52	2.51	2.52	2.49	2.45
85 / 69	T.C.	36.5	40.6	39.8	44.8	50.8	38.3	41.8	41.5	46.3	53.0	40.1	43.0	43.2	47.9	55.1
	S.C.	36.5	37.6	31.4	31.4	25.1	38.3	40.9	34.2	34.3	26.8	40.1	43.0	37.0	37.2	28.6
	K.W.	2.69	2.67	2.87	2.74	2.61	2.78	2.77	2.87	2.79	2.71	2.87	2.88	2.88	2.84	2.81
95 / 75	T.C.	33.4	37.0	36.4	41.0	46.9	35.0	37.8	37.8	42.3	48.5	36.5	38.6	39.3	43.6	50.2
	S.C.	33.4	35.5	29.5	29.5	23.2	35.0	37.8	32.2	32.3	25.0	36.5	38.6	34.9	35.1	26.7
	K.W.	3.04	3.02	3.23	3.00	2.96	3.13	3.13	3.23	3.10	3.07	3.22	3.25	3.24	3.20	3.17
105 / 83	T.C.	30.0	34.0	32.7	36.5	42.1	31.3	34.3	33.6	37.3	43.3	32.7	34.6	34.5	38.1	44.6
	S.C.	30.0	32.8	27.2	27.4	21.2	31.3	34.3	29.6	30.1	22.7	32.7	34.6	32.0	32.9	24.3
	K.W.	3.56	3.48	3.62	3.46	3.43	3.62	3.59	3.66	3.56	3.53	3.69	3.70	3.70	3.66	3.63
115 / 89	T.C.	26.7	31.1	29.0	32.1	37.4	27.8	30.9	29.4	32.5	38.3	28.9	30.6	29.9	32.8	39.1
	S.C.	26.7	30.3	25.0	25.4	19.2	27.8	30.9	27.1	28.0	20.6	28.9	30.6	29.2	30.7	21.9
	K.W.	4.07	3.93	4.00	3.91	3.87	4.10	4.03	4.07	4.01	3.98	4.13	4.13	4.14	4.11	4.09
125 / 95	T.C.	23.4	28.3	25.3	27.7	32.7	24.3	27.5	25.3	27.6	33.2	25.1	26.7	25.2	27.5	33.7
	S.C.	23.4	27.7	22.8	23.4	17.2	24.3	27.5	24.6	25.9	18.4	25.1	26.7	25.2	27.5	19.6
	K.W.	4.57	4.38	4.39	4.35	4.32	4.58	4.47	4.49	4.46	4.43	4.58	4.57	4.59	4.56	4.54

COOLING PERFORMANCE DATA - 5 TON (HIGH SPEED)																
PACKAGED UNIT MODEL NO.		PCE6B60														
CONDENSER ENTERING AIR TEMPERATURE	ID CFM	1600					1800					2000				
	IDDB	80	80	75	80	80	80	80	75	80	80	80	80	75	80	80
	IDWB	57	62	62	67	72	57	62	62	67	72	57	62	62	67	72
55 / 45	T.C.	59.2	68.9	66.5	71.8	77.1	61.3	70.6	67.6	73.5	77.7	63.5	72.3	68.8	75.1	78.3
	S.C.	59.2	55.8	47.0	46.7	37.2	61.3	59.6	49.6	49.1	38.2	63.5	63.4	52.2	51.5	39.1
	K.W.	2.80	2.86	2.87	3.21	2.93	3.03	3.08	3.08	3.28	3.14	3.26	3.30	3.30	3.34	3.35
65 / 55	T.C.	54.3	64.1	61.7	68.4	74.2	55.7	66.1	63.2	69.9	75.5	57.2	68.1	64.7	71.3	76.9
	S.C.	54.3	53.9	45.4	44.9	35.7	55.7	42.9	51.1	47.3	46.7	57.2	31.9	56.8	49.8	57.8
	K.W.	3.07	3.25	3.13	3.34	3.37	3.30	3.34	3.35	3.48	3.51	3.53	3.42	3.56	3.62	3.66
75 / 63	T.C.	49.3	59.2	57.0	65.1	71.3	50.1	61.6	58.8	66.3	73.4	50.9	64.0	60.6	67.4	75.4
	S.C.	49.3	52.0	43.7	43.0	34.2	50.1	26.2	52.5	45.5	55.3	50.9	0.3	60.6	48.0	75.4
	K.W.	3.33	3.65	3.39	3.47	3.81	3.57	3.60	3.61	3.68	3.89	3.80	3.55	3.83	3.90	3.97
85 / 69	T.C.	48.7	55.4	53.9	60.5	67.1	47.8	57.3	55.3	61.5	68.6	46.8	59.2	56.8	62.4	70.2
	S.C.	48.7	49.6	41.4	41.0	32.2	47.8	38.2	47.0	43.3	43.3	46.8	26.7	52.7	45.7	54.5
	K.W.	3.71	3.87	3.74	3.95	4.02	3.94	3.96	3.96	4.10	4.17	4.16	4.04	4.17	4.25	4.32
95 / 75	T.C.	48.0	51.6	50.7	55.9	62.8	45.4	53.0	51.8	56.7	63.9	42.8	54.3	53.0	57.4	64.9
	S.C.	48.0	47.2	39.1	39.1	30.3	45.4	50.1	41.5	41.2	31.4	42.8	53.0	43.9	43.3	32.6
	K.W.	4.09	4.10	4.09	4.44	4.23	4.30	4.31	4.30	4.52	4.44	4.52	4.53	4.51	4.60	4.66
105 / 83	T.C.	42.5	46.6	45.9	50.9	57.9	40.7	48.1	47.1	51.6	58.7	38.9	49.5	48.3	52.3	59.6
	S.C.	42.5	43.9	36.8	36.9	28.2	40.7	46.3	33.0	39.0	29.3	38.9	48.7	29.1	41.1	30.4
	K.W.	4.60	4.71	4.61	4.96	4.84	4.82	4.87	4.77	5.04	5.00	5.03	5.04	4.92	5.11	5.17
115 / 89	T.C.	37.0	41.8	41.3	46.0	53.1	36.1	43.4	42.5	46.7	53.8	35.1	44.9	43.8	47.4	54.4
	S.C.	37.0	40.7	34.7	34.7	26.2	36.1	42.6	24.7	36.9	27.2	35.1	44.5	14.7	39.0	28.2
	K.W.	5.10	5.29	5.12	5.46	5.43	5.32	5.42	5.23	5.54	5.54	5.54	5.54	5.33	5.61	5.66
125 / 95	T.C.	31.6	37.0	36.6	41.1	48.2	31.5	38.6	37.9	41.8	48.8	31.4	40.2	39.3	42.5	49.3
	S.C.	31.6	37.0	32.5	32.6	24.2	31.5	38.6	16.4	34.7	25.1	31.4	40.2	0.3	36.8	26.1
	K.W.	5.60	5.88	5.63	5.96	6.01	5.82	5.96	5.68	6.04	6.09	6.04	6.04	5.74	6.11	6.16



UNIT DIMENSIONS

Model	Dimensions - in inches		
	A	B	C
A24	51-1/4	35-3/4	47
A30	51-1/4	35-3/4	47
B36	51-1/4	45-3/4	49
B42	51-1/4	45-3/4	49
B48	51-1/4	45-3/4	53
B60	51-1/4	45-3/4	55

UNIT CLEARANCES

Direction	Distance (in.)	Direction	Distance (in.)
Top ¹	36	Right Side	36
Side Opposite Ducts	36	Left Side	24
Duct Panel	0	Bottom ^{2,3}	1

NOTES:

1. Minimum Clearance of 1inch all sides of supply air duct for the first 3 feet of duct for 20 & 25 kW., zero inches thereafter. For all other heaters, zero inch clearance all sides for entire length of duct.
 2. Units must be installed outdoors. Overhanging structures or shrubs should not obscure outdoor air discharge outlet.
 3. Units may be installed on combustible floors made from wood or class A, B, or C roof covering materials.
- Note:** For units applied with a roof curb, the minimum clearance may be reduced from 1 inch to 1/2 inch between combustible roof curb material and this supply air duct.

INDOOR BLOWER SPECIFICATIONS

Model	Motor				
	HP	RPM	EFF.	SF	Frame
PCE6A2421	1/2	Variable	0.8	1.0	48
PCE6A3021	1/2	Variable	0.8	1.0	48
PCE6B3621	1/2	Variable	0.8	1.0	48
PCE6B4221	3/4	Variable	0.8	1.0	48
PCE6B4821	3/4	Variable	0.8	1.0	48
PCE6B6021	1	Variable	0.8	1.0	48

SOUND PERFORMANCE

Model (Tons)	Sound Rating ¹ dB (A)	Octave Band Centerline Frequency (Hz)						
		125	250	500	1000	2000	4000	8000
PCE6A2421	75	62.4	61.5	64.2	67	61	57.3	49.6
PCE6A3021	75	60.5	61.6	64.8	66.9	60.9	56.0	49.7
PCE6B3621	74	58.5	61.8	65.4	66.5	60.7	54.8	49.8
PCE6B4221	74	63.5	63.9	62.3	65	64	54.1	46.6
PCE6B4821	74	63.5	63.9	62.3	65	64	54.1	46.6
PCE6B6021	76	72.3	65.0	63.9	64	60	55.5	49.0

NOTES:

1. Rated in accordance with AHRI Standard 270.

ELECTRICAL DATA - 208/230-1-60 SINGLE SOURCE POWER

Model	Compressor			OD Fan Motor	Blower Motor	Electric Heat Option					MCA ¹ (Amps)		Max Fuse ² or Breaker ³ Size		
	RLA	LRA	MCC	FLA	FLA	Heater Kit ⁴	Heater kW		Stages	Heater Amps		208	230	208	230
							208	230		208	230				
PCE6A24	11.7	58.3	18.2	0.7	3.8	none	--	--	--	--	--	19.1	19.1	30	30
						6HK16500206	1.8	2.2	1	8.7	9.6	19.1	19.1	30	30
						6HK16500506	3.6	4.4	1	17.3	19.1	25.4	27.7	30	30
						6HK16500806	5.8	7.1	1	27.9	30.9	38.7	42.4	40	45
						6HK16501006	7.2	8.8	1	34.6	38.3	47.1	51.6	50	60
						6HK16501306	9.4	11.5	2	45.2	50.0	60.1	66.3	70	70
PCE6A30	14.6	73.0	20.4	0.8	3.8	none	--	--	--	--	--	22.9	22.9	35	35
						6HK16500206	1.8	2.2	1	8.7	9.6	22.9	22.9	35	35
						6HK16500506	3.6	4.4	1	17.3	19.1	25.4	27.7	35	35
						6HK16500806	5.8	7.1	1	27.9	30.9	38.7	42.4	40	45
						6HK16501006	7.2	8.8	1	34.6	38.3	47.1	51.6	50	60
						6HK16501306	9.4	11.5	2	45.2	50.0	60.3	66.3	70	70
PCE6B36	15.6	83.0	24.4	1.7	3.8	none	--	--	--	--	--	25.0	25.0	40	40
						6HK16500206	1.8	2.2	1	8.7	9.6	25.0	25.0	40	40
						6HK16500506	3.6	4.4	1	17.3	19.1	25.4	27.7	40	40
						6HK16500806	5.8	7.1	1	27.9	30.9	38.7	42.4	40	45
						6HK16501006	7.2	8.8	1	34.6	38.3	47.1	51.6	50	60
						6HK16501306	9.4	11.5	2	45.2	50.0	60.3	66.3	70	70
PCE6B42	17.9	96.0	28.0	1.7	5.4	none	--	--	--	--	--	29.5	29.5	45	45
						6HK16500506	3.6	4.4	1	17.3	19.1	29.5	29.5	45	45
						6HK16500806	5.8	7.1	1	27.9	30.9	40.3	44.0	45	45
						6HK16501006	7.2	8.8	1	34.6	38.3	48.7	53.2	50	60
						6HK16501306	9.4	11.5	2	45.2	50.0	61.9	67.9	70	70
						6HK16501506	10.8	13.2	2	51.9	57.4	70.3	77.1	80	80
PCE6B48	21.2	104.0	33.0	1.7	5.4	none	--	--	--	--	--	33.6	33.6	50	50
						6HK16500506	3.6	4.4	1	17.3	19.1	33.6	33.6	50	50
						6HK16500806	5.8	7.1	1	27.9	30.9	40.3	44.0	50	50
						6HK16501006	7.2	8.8	1	34.6	38.3	48.7	53.2	50	60
						6HK16501306	9.4	11.5	2	45.2	50.0	61.9	67.9	70	70
						6HK16501506	10.8	13.2	2	51.9	57.4	70.3	77.1	80	80
PCE6B60	26.9	152.9	42.0	1.7	7.0	none	--	--	--	--	--	42.3	42.3	60	60
						6HK16500506	3.6	4.4	1	17.3	19.1	42.3	42.3	60	60
						6HK16500806	5.8	7.1	1	27.9	30.9	42.3	45.6	60	60
						6HK16501006	7.2	8.8	1	34.6	38.3	50.3	54.8	60	60
						6HK16501306	9.4	11.5	2	45.2	50.0	63.5	69.5	70	70
						6HK16501506	10.8	13.2	2	51.9	57.4	71.9	78.7	80	80
						6HK16501806	13.0	15.9	2	62.5	69.1	85.1	93.4	90	100
						6HK16502006	14.4	17.6	2	69.2	76.5	93.5	102.7	100	110

NOTES:

1. Minimum Circuit Ampacity.
2. Maximum Over Current Protection per standard UL 1995.
3. Fuse or HACR circuit breaker to be field installed.
4. Single Point Connection Kit Required

ELECTRICAL DATA FOR - 208-1-60 MULTI SOURCE POWER

Model	Compressor			OD Fan Motor	Blower Motor	Electric Heat Option				Multi Source									
	RLA	LRA	MCC	FLA	FLA	Heater Kit	Heater kW 208	Stages	Heater Amps 208	208	208	208	208	208	208	208	208	208	
Multi Source: Compressor Circuit and Heat Circuits						Multi Source: Circuit #1 - Compressor Circuit Circuit #2 - 1st Heater Circuit Circuit #3 - 2nd Heater Circuit Circuit #4 - 3rd Heater Circuit				MCA ¹ Amps	Max Fuse ² or Breaker ³ Size	MCA ¹ Amps	Max Fuse ² or Breaker ³ Size	MCA ¹ Amps	Max Fuse ² or Breaker ³ Size	MCA ¹ Amps	Max Fuse ² or Breaker ³ Size	MCA ¹ Amps	Max Fuse ² or Breaker ³ Size
						Circuit #1	Circuit #2	Circuit #3	Circuit #4										
A24	11.7	58.3	18.2	0.7	3.8	none	--	--	--	19.1	30	--	--	--	--	--	--	--	--
						6HK(0,1)6500206	1.8	1	8.7	19.1	30	10.8	15	--	--	--	--		
						6HK(0,1)6500506	3.6	1	17.3	19.1	30	21.6	25	--	--	--	--		
						6HK(0,1)6500806	5.8	1	27.9	16.0	30	34.9	40	--	--	--	--		
						6HK(0,1)6501006	7.2	1	34.6	16.0	30	43.3	45	--	--	--	--		
						6HK16501306	9.4	2	45.2	16.0	30	37.7	40	18.8	20	--	--		
A30	14.6	73.0	20.4	0.8	3.8	none	--	--	--	22.9	35	--	--	--	--	--	--	--	
						6HK(0,1)6500206	1.8	1	8.7	22.9	35	10.8	15	--	--	--	--		
						6HK(0,1)6500506	3.6	1	17.3	22.9	35	21.6	25	--	--	--	--		
						6HK(0,1)6500806	5.8	1	27.9	22.9	35	34.9	40	--	--	--	--		
						6HK(0,1)6501006	7.2	1	34.6	22.9	35	43.3	45	--	--	--	--		
						6HK16501306	9.4	2	45.2	22.9	35	37.7	40	18.8	20	--	--		
B36	15.6	83.0	24.4	1.7	3.8	none	--	--	--	25.0	40	--	--	--	--	--	--	--	
						6HK(0,1)6500206	1.8	1	8.7	25.0	40	10.8	15	--	--	--	--		
						6HK(0,1)6500506	3.6	1	17.3	25.0	40	21.6	25	--	--	--	--		
						6HK(0,1)6500806	5.8	1	27.9	25.0	40	34.9	40	--	--	--	--		
						6HK(0,1)6501006	7.2	1	34.6	25.0	40	43.3	45	--	--	--	--		
						6HK16501306	9.4	2	45.2	25.0	40	37.7	40	18.8	20	--	--		
B42	17.9	96.0	28.0	1.7	5.4	none	--	1	--	29.5	45	--	--	--	--	--	--	--	
						6HK(0,1)6500506	3.6	1	17.3	29.5	45	21.6	25	--	--	--	--		
						6HK(0,1)6500806	5.8	1	27.9	29.5	45	34.9	40	--	--	--	--		
						6HK(0,1)6501006	7.2	1	34.6	29.5	45	43.3	45	--	--	--	--		
						6HK16501306	9.4	2	45.2	29.5	45	37.7	40	18.8	20	--	--		
						6HK16501506	10.8	2	51.9	29.5	45	43.3	50	21.6	25	--	--		
B48	21.2	104.0	33.0	1.7	5.4	none	--	--	--	33.6	50	--	--	--	--	--	--	--	
						6HK(0,1)6500506	3.6	1	17.3	33.6	50	21.6	25	--	--	--	--		
						6HK(0,1)6500806	5.8	1	27.9	33.6	50	34.9	40	--	--	--	--		
						6HK(0,1)6501006	7.2	1	34.6	33.6	50	43.3	45	--	--	--	--		
						6HK16501306	9.4	2	45.2	33.6	50	37.7	40	18.8	20	--	--		
						6HK16501506	10.8	2	51.9	33.6	50	43.3	50	21.6	25	--	--		
B60	26.9	152.9	42.0	1.7	7.0	none	--	--	--	42.3	60	--	--	--	--	--	--	--	
						6HK(0,1)6500506	3.6	1	17.3	42.3	60	21.6	25	--	--	--	--		
						6HK(0,1)6500806	5.8	1	27.9	42.3	60	34.9	40	--	--	--	--		
						6HK(0,1)6501006	7.2	1	34.6	42.3	60	43.3	45	--	--	--	--		
						6HK16501306	9.4	2	45.2	42.3	60	37.7	40	18.8	20	--	--		
						6HK16501506	10.8	2	51.9	42.3	60	43.3	50	21.6	25	--	--		
B60	26.9	152.9	42.0	1.7	7.0	6HK16501806	13.0	2	62.5	42.3	60	52.1	40	26.0	40	--	--	--	
						6HK16502006	14.4	2	69.2	42.3	60	43.3	45	43.3	45	--	--		
						6HK26501306	9.4	1	45.2	42.3	60	56.5	60	--	--	--	--		
						6HK26501506	10.8	1	51.9	42.3	60	64.9	70	--	--	--	--		
						6HK26501806	13.0	1	62.5	42.3	60	78.1	80	--	--	--	--		
						6HK26502006	14.4	1	69.2	42.3	60	86.5	90	--	--	--	--		
B60	26.9	152.9	42.0	1.7	7.0	6HK16502506	18.0	3	86.5	42.3	60	43.3	45	43.3	45	21.6	25	--	
						6HK26502506	18.0	1	86.5	42.3	60	108.2	110	--	--	--	--		

NOTES:

1. MCA = Minimum Circuit Ampacity.
2. Maximum Over Current Protection per standard UL 1995.
3. Fuse or HACR circuit breaker to be field installed.

ELECTRICAL DATA FOR 230-1-60 MULTI SOURCE POWER

Model	Compressor			OD Fan Motor FLA	Blower Motor FLA	Electric Heat Option				Multi Source							
	RLA	LRA	MCC			Heater Kit	Heater kW 230	Stages	Heater Amps 230	230	230	230	230	230	230	230	230
	Multi Source: Compressor Circuit and Heat Circuits						Multi Source: Circuit #1 - Compressor Circuit Circuit #2 - 1st Heater Circuit Circuit #3 - 2nd Heater Circuit Circuit #4 - 3rd Heater Circuit				MCA ¹ Amps	Max Fuse ² or Breaker ³ Size	MCA ¹ Amps	Max Fuse ² or Breaker ³ Size	MCA ¹ Amps	Max Fuse ² or Breaker ³ Size	MCA ¹ Amps
										Circuit #1		Circuit #2		Circuit #3		Circuit #4	
A24	11.7	58.3	18.2	0.7	3.8	none	--	--	--	19.1	30	--	--	--	--	--	--
						6HK(0,1)6500206	2.2	1	9.6	19.1	30	12.0	15	--	--	--	--
						6HK(0,1)6500506	4.4	1	19.1	19.1	30	23.9	25	--	--	--	--
						6HK(0,1)6500806	7.1	1	30.9	16.0	30	38.6	40	--	--	--	--
						6HK(0,1)6501006	8.8	1	38.3	16.0	30	47.8	50	--	--	--	--
						6HK16501306	11.5	2	50.0	16.0	30	41.7	45	20.8	25	--	--
						6HK26501306	11.5	1	50.0	16.0	30	62.5	70	--	--	--	--
A30	14.6	73.0	20.4	0.8	3.8	none	--	--	--	22.9	35	--	--	--	--	--	--
						6HK(0,1)6500206	2.2	1	9.6	22.9	35	12.0	15	--	--	--	--
						6HK(0,1)6500506	4.4	1	19.1	22.9	35	23.9	25	--	--	--	--
						6HK(0,1)6500806	7.1	1	30.9	22.9	35	38.6	40	--	--	--	--
						6HK(0,1)6501006	8.8	1	38.3	22.9	35	47.8	50	--	--	--	--
						6HK16501306	11.5	2	50.0	22.9	35	41.7	45	20.8	25	--	--
						6HK26501306	11.5	1	50.0	22.9	35	62.5	70	--	--	--	--
B36	15.6	83.0	24.4	1.7	3.8	none	--	--	--	25.0	40	--	--	--	--	--	--
						6HK(0,1)6500206	2.2	1	9.6	25.0	40	12.0	15	--	--	--	--
						6HK(0,1)6500506	4.4	1	19.1	25.0	40	23.9	25	--	--	--	--
						6HK(0,1)6500806	7.1	1	30.9	25.0	40	38.6	40	--	--	--	--
						6HK(0,1)6501006	8.8	1	38.3	25.0	40	47.8	50	--	--	--	--
						6HK16501306	11.5	2	50.0	25.0	40	41.7	45	20.8	25	--	--
						6HK26501306	11.5	1	50.0	25.0	40	62.5	70	--	--	--	--
B42	17.9	96.0	28.0	1.7	5.4	none	--	1	--	29.5	45	--	--	--	--	--	--
						6HK(0,1)6500506	4.4	1	19.1	29.5	45	23.9	25	--	--	--	--
						6HK(0,1)6500806	7.1	1	30.9	29.5	45	38.6	40	--	--	--	--
						6HK(0,1)6501006	8.8	1	38.3	29.5	45	47.8	50	--	--	--	--
						6HK16501306	11.5	2	50.0	29.5	45	41.7	45	20.8	25	--	--
						6HK16501506	13.2	2	57.4	29.5	45	47.8	50	23.9	25	--	--
						6HK16501806	15.9	2	69.1	29.5	45	57.6	45	28.8	45	--	--
6HK16502006	17.6	2	76.5	29.5	45	47.8	50	47.8	50	--	--						
B48	21.2	104.0	33.0	1.7	5.4	none	--	--	--	33.6	50	--	--	--	--	--	--
						6HK(0,1)6500506	4.4	1	19.1	33.6	50	23.9	25	--	--	--	--
						6HK(0,1)6500806	7.1	1	30.9	33.6	50	38.6	40	--	--	--	--
						6HK(0,1)6501006	8.8	1	38.3	33.6	50	47.8	50	--	--	--	--
						6HK16501306	11.5	2	50.0	33.6	50	41.7	45	20.8	25	--	--
						6HK16501506	13.2	2	57.4	33.6	50	47.8	50	23.9	25	--	--
						6HK16501806	15.9	2	69.1	33.6	50	57.6	45	28.8	45	--	--
6HK16502006	17.6	2	76.5	33.6	50	47.8	50	47.8	50	--	--						
B60	26.9	152.9	42.0	1.7	7.0	none	--	--	--	42.3	60	--	--	--	--	--	--
						6HK(0,1)6500506	4.4	1	19.1	42.3	60	23.9	25	--	--	--	--
						6HK(0,1)6500806	7.1	1	30.9	42.3	60	38.6	40	--	--	--	--
						6HK(0,1)6501006	8.8	1	38.3	42.3	60	47.8	50	--	--	--	--
						6HK16501306	11.5	2	50.0	42.3	60	41.7	45	20.8	25	--	--
						6HK16501506	13.2	2	57.4	42.3	60	47.8	50	23.9	25	--	--
						6HK16501806	15.9	2	69.1	42.3	60	57.6	45	28.8	45	--	--
6HK16502006	17.6	2	76.5	42.3	60	47.8	50	47.8	50	--	--						
						6HK26501306	11.5	1	50.0	42.3	60	62.5	70	--	--	--	--
						6HK26501506	13.2	1	57.4	42.3	60	71.7	80	--	--	--	--
						6HK26501806	15.9	1	69.1	42.3	60	86.4	90	--	--	--	--
						6HK26502006	17.6	1	76.5	42.3	60	95.7	100	--	--	--	--
						6HK16502506	22.0	3	95.7	42.3	60	47.8	50	47.8	50	23.9	25
						6HK26502506	22.0	1	95.7	42.3	60	119.6	125	--	--	--	--

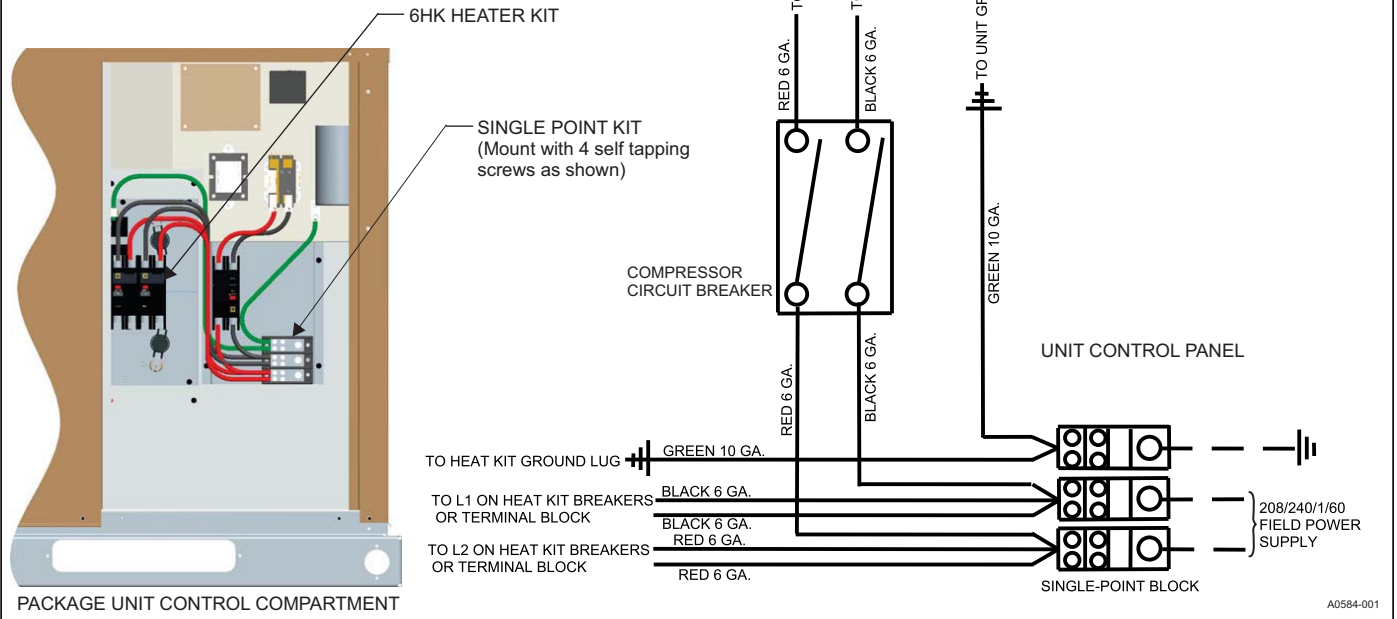
NOTES:

1. MCA = Minimum Circuit Ampacity.
2. Maximum Over Current Protection per standard UL 1995.
3. Fuse or HACR circuit breaker to be field installed.

SINGLE-POINT WIRING KITS

NOTE:

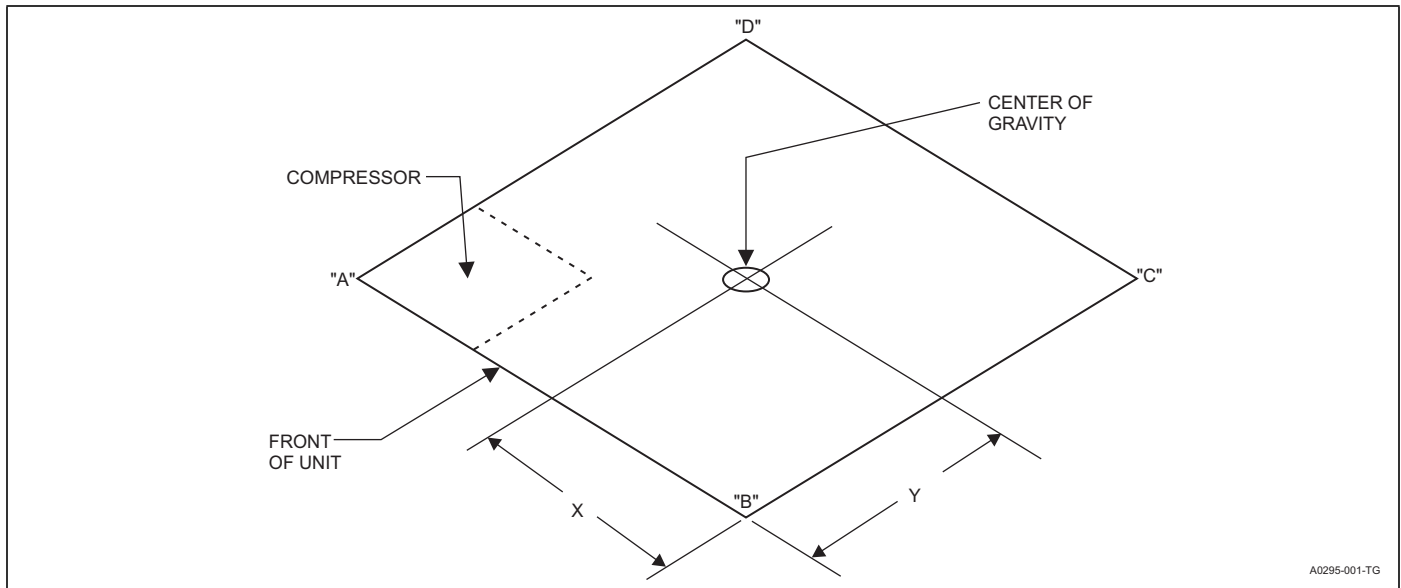
For single circuit heater kits, remove the wires for the second circuit from the single-point block.



A0584-001

SINGLE-POINT WIRING KIT PART NUMBERS

Single Point Kit P/N	Unit Model Number	Breaker Size	Heat Kit
S1-2SPWK001	PCE6A24	30 Amp	up to 13 kW
S1-2SPWK002	PCE6A30	35 Amp	up to 15 kW
S1-2SPWK007	PCE6B36	40 Amp	up to 15 kW
S1-2SPWK003	PCE6B42	45 Amp	up to 20 kW
S1-2SPWK004	PCE6B48	50 Amp	up to 20 kW
S1-2SPWK005	PCE6B60	60 Amp	up to 20 kW



WEIGHTS AND DIMENSIONS

Model	Weight (lbs.)		Center of Gravity		4 Point Load Location (lbs.)			
	Shipping	Operating	X	Y	A	B	C	D
PCE6A2421	348	343	30	15	96	105	107	40
PCE6A3021	394	389	30	15	107	123	123	41
PCE6B3621	466	461	32	13	167	131	130	38
PCE6B4221	471	466	32	13	169	132	131	39
PCE6B4821	488	483	30	19	158	125	130	75
PCE6B6021	505	500	30	20	157	134	140	74

RECOMMENDED BLOWER SPEED FOR ELECTRIC HEAT

Model	Heater kW								
	2	5	8	10	13	15	18	20	25
PCE6A24	D (LO)	D (LO)	C (ML)	B (MH)	A (HI)	--	--	--	--
PCE6A30	D (LO)	D (LO)	D (LO)	C (ML)	B (MH)	A (HI)	--	--	--
PCE6B36	D (LO)	D (LO)	D (LO)	C (ML)	B (MH)	A (HI)	--	--	--
PCE6B42	--	D (LO)	D (LO)	D (LO)	D (LO)	C (ML)	B (MH)	A (HI)	--
PCE6B48	--	D (LO)	D (LO)	D (LO)	D (LO)	C (ML)	B (MH)	A (HI)	--
PCE6B60	--	D (LO)	D (LO)	D (LO)	D (LO)	D (LO)	C (ML)	B (MH)	A (HI)

NOTE: The recommended HEAT speed selections above will give approximately a 45 degree temperature rise at 0.3" static with 230V power supply. If lower or higher heating airflow is desired, or if duct static or voltage are different than specified, other speed taps may be used.

AIRFLOW PERFORMANCE - SIDE DUCT APPLICATION

Model	Jumper Position		External Static Pressure (Inches WC)									
			0.1	0.2	0.3	0.4	0.5	0.6	0.7	0.8	0.9	1.0
			SCFM	SCFM	SCFM	SCFM	SCFM	SCFM	SCFM	SCFM	SCFM	SCFM
24	High Cool	A	961	923	874	822	776	735	682	624	581	552
		B	910	837	780	729	685	631	576	529	495	453
		C	870	761	699	649	605	539	484	449	422	370
		D	799	623	552	475	436	387	338	294	237	192
	Low Cool	A	902	822	764	713	669	612	557	513	480	437
		B	855	734	669	615	572	509	454	418	385	334
		C	827	678	611	545	504	448	396	356	311	263
		D	675	546	466	404	347	277	205	160	126	80
	Electric Heat	A	1033	1002	963	917	862	826	781	735	678	655
		B	961	923	874	822	776	735	682	624	581	552
		C	910	837	780	729	685	631	576	529	495	453
		D	878	777	715	665	621	558	502	465	437	386
30	High Cool	A	1141	1116	1079	1038	991	946	905	864	820	776
		B	1054	1024	988	944	886	852	809	766	706	684
		C	1023	991	950	903	850	813	767	719	664	640
		D	910	837	780	729	685	631	576	529	495	453
	Low Cool	A	982	946	899	849	801	761	710	656	609	581
		B	927	867	813	761	717	667	612	561	524	487
		C	870	761	699	649	605	539	484	449	422	370
		D	813	650	582	510	470	417	367	325	274	227
	Electric Heat	A	1108	1082	1045	1003	952	911	869	827	777	742
		B	1002	968	925	876	825	787	738	687	636	611
		C	886	792	731	681	637	576	520	481	451	403
		D	827	678	611	545	504	448	396	356	311	263
36	High Cool	A	1345	1318	1271	1222	1172	1108	1035	961	894	841
		B	1264	1211	1170	1115	1056	981	894	826	775	729
		C	1232	1178	1131	1077	1012	929	853	790	738	690
		D	1058	999	931	859	762	694	635	582	523	459
	Low Cool	A	1153	1095	1036	979	899	810	751	697	643	588
		B	1015	952	884	802	709	646	582	528	467	402
		C	882	805	741	625	556	501	415	359	297	228
		D	805	718	642	523	436	376	294	247	193	118
	Electric Heat	A	1190	1133	1079	1026	953	861	798	742	689	638
		B	1112	1054	991	928	840	760	701	648	591	532
		C	955	886	821	721	642	584	508	453	391	324
		D	856	776	708	591	516	459	375	321	262	191
42	High Cool	A	1555	1518	1494	1459	1414	1360	1318	1261	1220	1162
		B	1473	1435	1406	1368	1320	1264	1220	1164	1119	1060
		C	1374	1333	1298	1255	1204	1145	1100	1044	993	933
		D	1216	1168	1117	1064	1007	942	892	838	775	712
	Low Cool	A	1233	1186	1137	1085	1029	965	915	861	799	736
		B	1139	1087	1027	968	907	839	785	733	663	598
		C	1025	966	892	823	756	684	625	575	494	427
		D	964	900	816	742	672	596	534	485	398	329
	Electric Heat	A	1441	1407	1373	1325	1279	1232	1182	1108	1042	1039
		B	1327	1286	1242	1192	1143	1081	1024	949	881	834
		C	1187	1136	1084	1028	968	886	827	767	702	657
		D	1087	1031	974	909	832	750	704	653	600	537
48	High Cool	A	1851	1809	1781	1746	1707	1656	1609	1552	1518	1460
		B	1689	1652	1630	1597	1556	1504	1461	1404	1368	1310
		C	1614	1578	1554	1520	1477	1424	1382	1324	1286	1228
		D	1374	1333	1298	1255	1204	1145	1100	1044	993	933
	Low Cool	A	1473	1435	1406	1368	1320	1264	1220	1164	1119	1060
		B	1374	1333	1298	1255	1204	1145	1100	1044	993	933
		C	1322	1278	1238	1191	1138	1077	1030	975	920	859
		D	1286	1241	1197	1149	1095	1032	984	930	872	810
	Electric Heat	A	1441	1407	1373	1325	1279	1232	1182	1108	1042	1039
		B	1327	1286	1242	1192	1143	1081	1024	949	881	834
		C	1187	1136	1084	1028	968	886	827	767	702	657
		D	1087	1031	974	909	832	750	704	653	600	537

Refer to NOTES at the end of Table on next page.

AIRFLOW PERFORMANCE - SIDE DUCT APPLICATION (Continued)

Model	Jumper Position		External Static Pressure (Inches WC)									
			0.1	0.2	0.3	0.4	0.5	0.6	0.7	0.8	0.9	1.0
			SCFM	SCFM	SCFM	SCFM	SCFM	SCFM	SCFM	SCFM	SCFM	SCFM
60	High Cool	A	2149	2114	2077	2030	1989	1948	1905	1859	1816	1768
		B	2013	1977	1941	1898	1860	1816	1772	1726	1677	1630
		C	1936	1900	1864	1822	1783	1739	1695	1649	1597	1551
		D	1719	1685	1642	1600	1555	1508	1465	1418	1372	1327
	Low Cool	A	1629	1591	1546	1502	1455	1409	1362	1315	1266	1220
		B	1558	1516	1469	1423	1375	1329	1280	1232	1181	1135
		C	1453	1406	1355	1305	1255	1207	1153	1100	1047	997
		D	1410	1361	1307	1255	1204	1155	1100	1044	992	938
	Electric Heat	A	1743	1712	1666	1623	1580	1540	1493	1449	1404	1370
		B	1485	1436	1380	1329	1283	1234	1185	1139	1084	1032
		C	1382	1324	1265	1210	1162	1108	1059	1012	952	891
		D	1205	1131	1066	1005	953	892	841	793	724	644

NOTES:

1. Airflow tested with dry coil conditions, without air filters, at 230 volts
2. Applications above 0.8" w.c. external static pressure are not recommended.
3. Brushless DC high efficiency enhanced ECM blower motor used for all indoor blower assemblies.
4. Minimal variations in airflow performance data results from operating at 208 volts. Data above may be used in those cases.
5. Minimal variations in airflow performance data results from using downflow duct applications. Data above may be used in those cases.
6. Heating applications tested at 0.50" w.c. esp, and cooling applications tested at 0.30" w.c. esp per standards.

ADDITIONAL STATIC RESISTANCE

Size (Tons)	CFM	Wet Indoor Coil	Economizer ¹	Filter/Frame Kit
24 (2.0)	500	0.01	0.00	0.01
	600	0.01	0.00	0.02
	700	0.01	0.00	0.04
	800	0.02	0.01	0.06
	900	0.03	0.01	0.08
	1000	0.04	0.01	0.10
	1100	0.05	0.01	0.13
	1200	0.06	0.02	0.16
30 (2.5)	700	0.01	0.00	0.04
	800	0.02	0.01	0.06
	900	0.03	0.01	0.08
	1000	0.04	0.01	0.10
	1100	0.05	0.01	0.13
	1200	0.06	0.02	0.16
36 (3.0)	700	0.01	0.00	0.04
	800	0.02	0.01	0.06
	900	0.03	0.01	0.08
	1000	0.04	0.01	0.10
	1100	0.05	0.01	0.13
	1200	0.06	0.02	0.16
	1300	0.07	0.03	0.17
	1400	0.08	0.04	0.18
42 (3.5)	1100	0.02	0.02	0.04
	1200	0.03	0.02	0.04
	1300	0.04	0.02	0.05
	1400	0.05	0.03	0.05
	1500	0.06	0.04	0.06
	1600	0.07	0.04	0.07
	1700	0.07	0.04	0.08
	1800	0.08	0.04	0.09
	1900	0.09	0.05	0.10
2000	0.09	0.05	0.11	

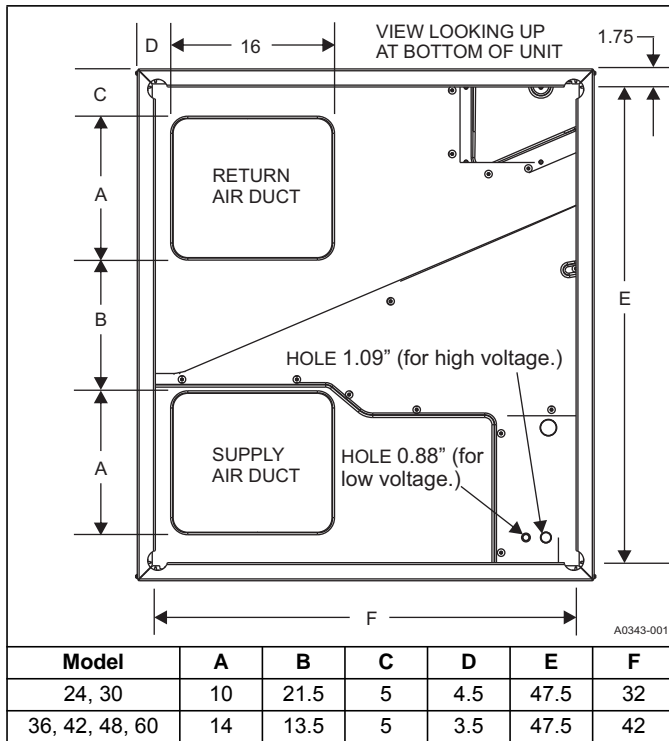
ADDITIONAL STATIC RESISTANCE

Size (Tons)	CFM	Wet Indoor Coil	Economizer ¹	Filter/Frame Kit
48 (4.0)	1100	0.02	0.02	0.04
	1200	0.03	0.02	0.04
	1300	0.04	0.02	0.05
	1400	0.05	0.03	0.05
	1500	0.06	0.04	0.06
	1600	0.07	0.04	0.07
	1700	0.07	0.04	0.08
	1800	0.08	0.04	0.09
	1900	0.09	0.05	0.10
	2000	0.09	0.05	0.11
60 (5.0)	1100	0.02	0.02	0.04
	1200	0.03	0.02	0.04
	1300	0.04	0.02	0.05
	1400	0.05	0.03	0.05
	1500	0.06	0.04	0.06
	1600	0.07	0.04	0.07
	1700	0.07	0.04	0.08
	1800	0.08	0.04	0.09
	1900	0.09	0.05	0.10
2000	0.09	0.05	0.11	

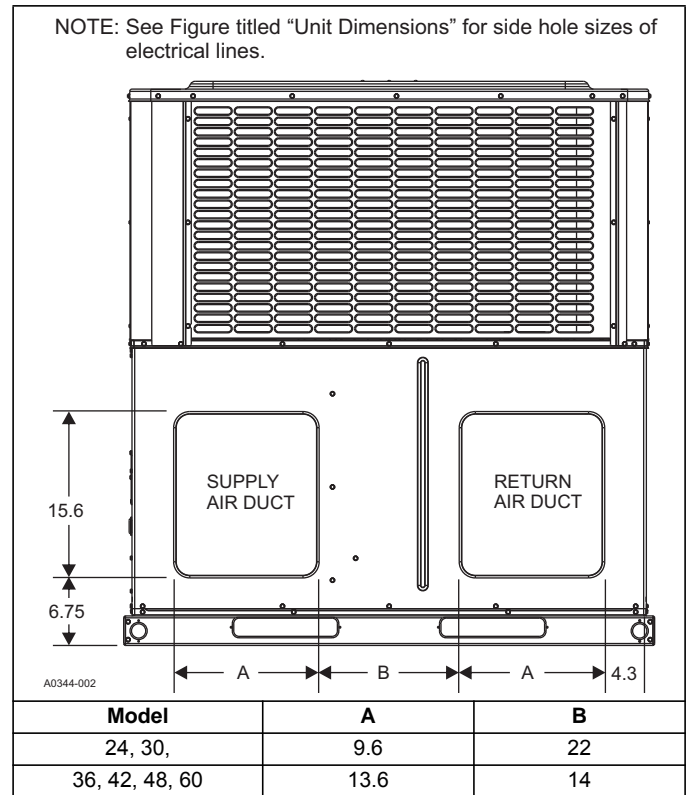
NOTE:

1. The pressure drop through the economizer is greater for 100% outdoor air than for 100% return air. If the resistance of the return air duct is less than 0.25 IWG, the unit will deliver less CFM during full economizer operation. Filter pressure drop based on standard filter media tested at velocities not to exceed 300 ft/min.

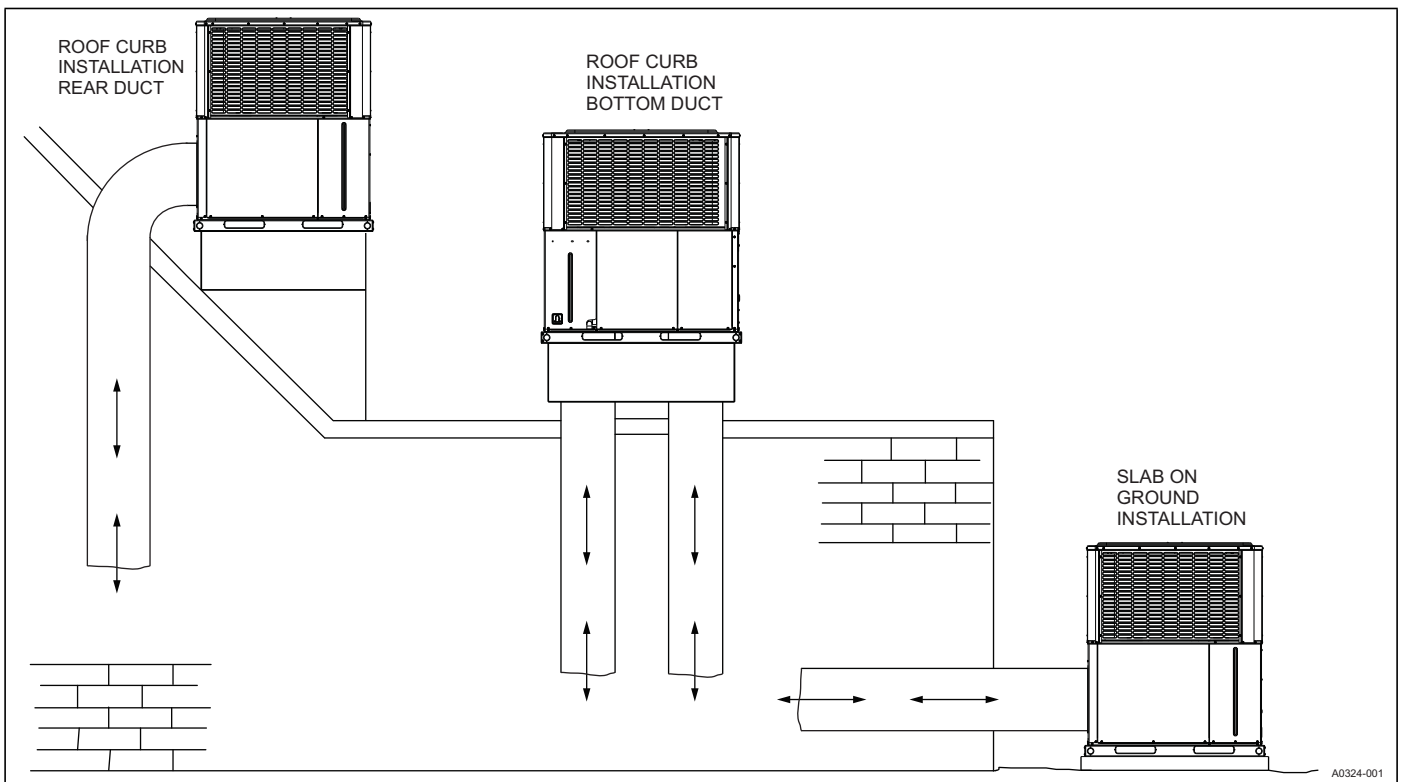
BOTTOM DUCT DIMENSIONS (Inches)



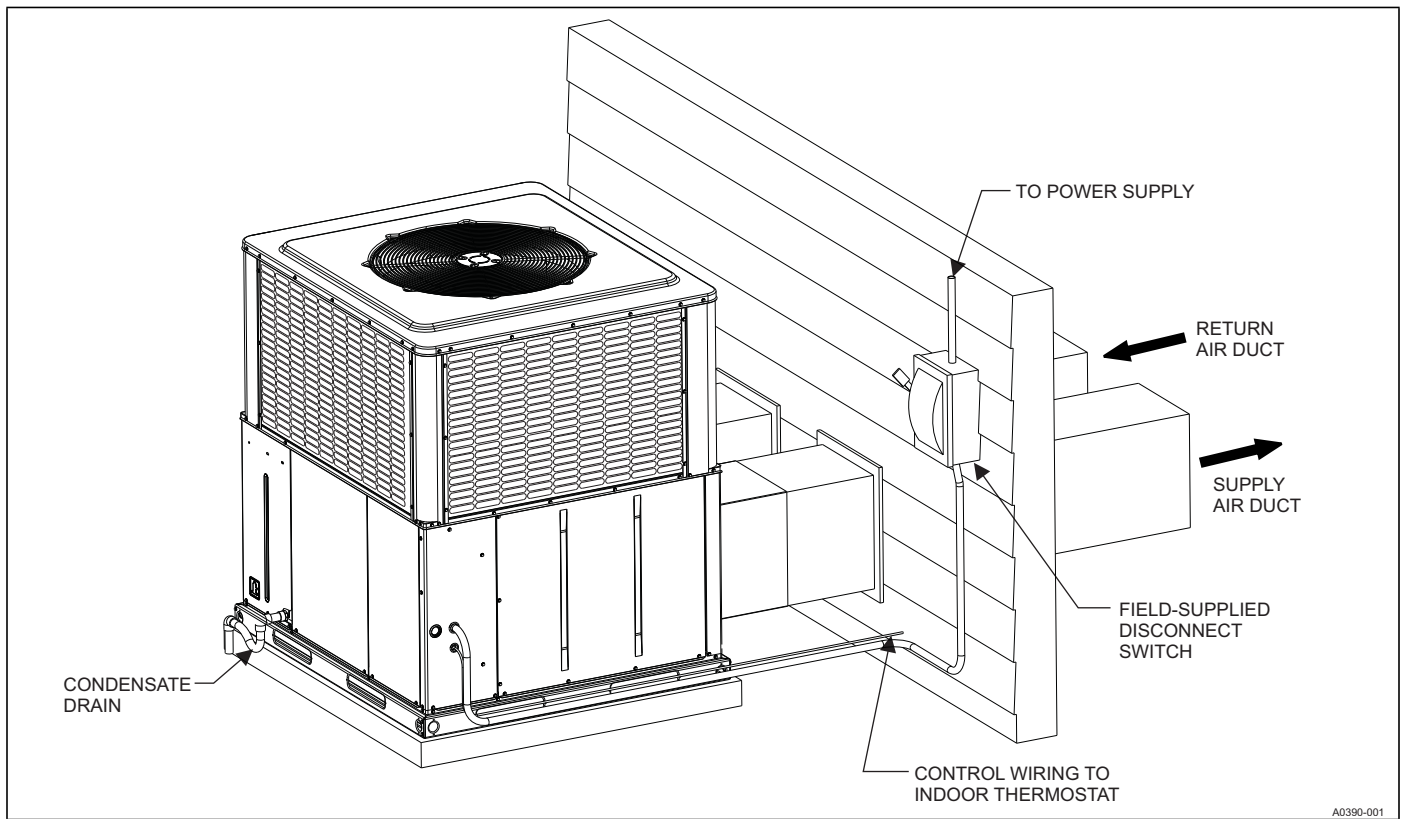
REAR DUCT DIMENSIONS (Inches)



UNIT TYPICAL DUCT APPLICATIONS



UNIT TYPICAL SLAB ON GROUND INSTALLATION



UNIT TYPICAL ROOF CURB INSTALLATION

