



TW09HQ3C2D		
Indoor Unit	TW09HQ3C2DI	
Outdoor Unit	TW09HQ3C2DO	
Performance		
Cooling Rated Capacity	Btu/h	9,000
Cooling Cap. Range Min-Max	Btu/h	3,100~9,600
SEER/EER	18.0/10.59	
Heating Rated Capacity(47°F)	Btu/h	9,500
Heating Rated Capacity(17°F)	Btu/h	5,800
Heating Cap. Range Min-Max	Btu/h	3,100~12,000
HSPF/COP	9.0/3.28	
Electrical		
Voltage, Phase, Cycle	V-Ph-Hz	208/230-1-60
Voltage Range	V	187~253
MCA	A	9
MOP	A	15
Compressor RLA	A	6.60
Fan Motor FLA	A	0.37
Cooling Power Input	W	850
Heating Power Input	W	850
Piping		
Pipe Length Min-Max	ft	10~100
Piping Lift	ft	65
Liquid Line	in	1/4
Vapor Line	in	3/8
Connection Type	Flare	



Operating Range		
Cooling Outdoor DB	°F	0~115
Heating Outdoor DB	°F	-13~75
System Data		
Compressor Type	DC Inverter Rotary	
Refrigerant Type	R410A	
Pre-Charge	oz	24.7
Pre-Charge Length	ft	25
Additional Charge	oz/ft	0.2
Refrigerant Control	EXV	
ODU Sound Pressure (Cooling/Heating)	dB(A)	52/52
IDU Sound Pressure (Min/Max)	dB(A)	28/43
IDU Airflow Volume	cfm	171/318
Dehumidification	pts/hr	1.69



Job Name:		Date:	
Reference #:			
Signature:			

TOSOT Comfort
 EMAIL: HI@TOSOTCOMFORT.COM



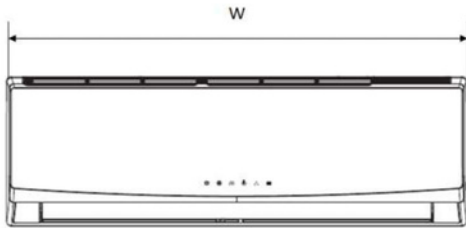
COOLING PERFORMANCE*						
Outdoor Ambient DB	Indoor Entering Air Temperatures					
	68°F DB		73°F DB		80°F DB	
	57°F WB		61°F WB		67°F WB	
	TC	SHC	TC	SHC	TC	SHC
0°F	5,617	4,072	5,913	4,287	6,224	4,512
5°F	6,302	4,601	6,634	4,843	6,983	5,098
14°F	6,497	4,775	6,839	5,027	7,199	5,291
23°F	6,698	4,957	7,051	5,218	7,422	5,492
32°F	6,905	5,144	7,269	5,415	7,651	5,700
41°F	7,119	5,339	7,494	5,620	7,888	5,916
50°F	7,339	5,541	7,725	5,833	8,132	6,140
59°F	7,566	5,750	7,964	6,053	8,383	6,371
68°F	7,800	5,967	8,211	6,281	8,643	6,612
77°F	8,041	6,192	8,465	6,518	8,910	6,861
86°F	8,366	6,484	8,807	6,825	9,270	7,184
95°F	8,123	6,336	8,550	6,669	9,000	7,020
104°F	7,879	6,185	8,294	6,510	8,730	6,853
113°F	7,642	6,038	8,045	6,355	8,468	6,690

HEATING PERFORMANCE*			
Outdoor Ambient DB	Indoor Ambient Temperature		
	68°F DB	73°F DB	80°F DB
	57°F WB	61°F WB	67°F WB
	TC	TC	TC
-31°F	/	/	/
-22°F	4,694	4,590	4,347
-13°F	4,794	4,694	4,461
-4°F	4,840	4,794	4,567
0°F	5,245	5,196	4,945
6°F	5,533	5,300	5,216
10°F	5,763	5,708	5,434
17°F	5,938	5,800	5,597
19°F	6,171	6,563	5,818
24°F	6,866	7,212	6,935
32°F	8,413	8,497	7,637
41°F	9,547	9,658	9,088
43°F	9,657	9,716	9,335
47°F	9,336	9,500	9,019
53°F	9,124	9,447	8,877
59°F	8,702	9,236	8,666
64°F	8,789	8,813	8,243
70°F	8,385	8,496	7,926
75°F	7,962	8,073	7,503
78°F	7,750	7,862	7,292

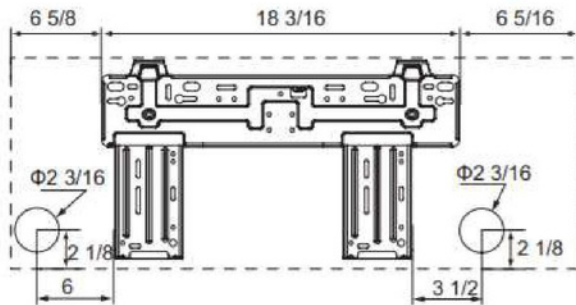
* Maximum System Capacity
 TC - Total Capacity(Btu/h)
 SHC - Sensible Capacity(Btu/h)



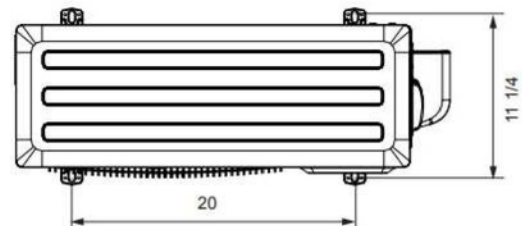
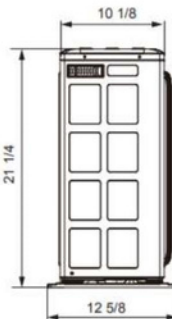
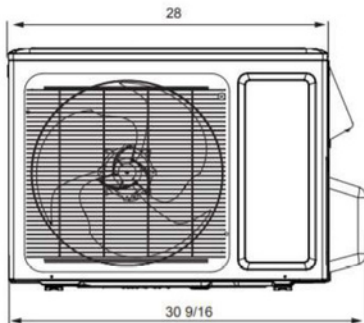
INDOOR & OUTDOOR UNIT DIMENSIONS



Dimensions	
W	31 1/8
H	10 13/16
D	7 7/8



Liquid Line Valve	1/4-in OD Flared
Gas Line Valve	3/8-in OD Flared
Drain Connector	5/8-in OD
Net Weight IDU	20.9 lb
Gross Weight IDU	25.4 lb



Liquid Line Valve	1/4-in OD Flared
Gas Line Valve	3/8-in OD Flared
Net Weight ODU	63.9 lb
Gross Weight ODU	69.5 lb

Unit:inch



INSTALLATION DIAGRAM

