



Endeavor™ Line Air Handlers



RH2VZ

Constant CFM Motor

2-Stage Airflow

Thermal Expansion Valve (TXV)

Efficiencies: 13.4 to 14.3 SEER2

Table of Contents

Features & Benefits	3
Model Number Identification	4
Dimensional Data	5-6
Airflow Directional Data	7
Airflow Performance Data	8
Electrical Data	9-18
Limited Warranty	20

Features and Benefits

- **Constant CFM Motor:**
 - When paired with EcoNet® Smart Thermostat, gradually auto-adjusts from low capacity to 100% of capacity to meet comfort requirements—allowing for ultimate humidity control, quieter sounds levels and year-round energy savings
 - When paired with 24V two-stage thermostat, air handler runs in 2 speeds to match airflow with outdoor unit
- **Quieter Operation¹:** Provided by two-stage operation and truly variable speed airflow technology and sturdy cabinet construction with 1.0 inch of foil faced insulation for quieter sound characteristics
- **PlusOne® Diagnostics:** With the Ruud Contractor & EcoNet® Apps, built-in EcoNet® & Bluetooth² technology makes monitoring, troubleshooting and repairing the product easier than ever before
- **Dip Switch Free Installation Commissioning via Bluetooth® Technology:** Seamless final install step without DIP switch configuration using the Ruud Contractor App
- **EcoNet® Enabled Air Handler:**
 - The latest in sensor technology and the EcoNet® monitoring system provides a new level of protection, control and energy savings
 - Allows on-the-go control and receipt of system alerts by the homeowner via the EcoNet® Smart Thermostat and EcoNet® App⁴
- **Aluminum Indoor Coil Design:** Are constructed of aluminum fins bonded to internally grooved aluminum tubing and are more corrosion resistant
- **Versatile 4-Way Convertible Compact Design:** Allows for upflow, downflow, horizontal left and horizontal right applications, even in the smallest of spaces
- **Rugged Steel, Compact Cabinet Construction:** Designed for added strength and versatility
- **Field-installed Auxiliary Heater Kits:** Provide exact heat for indoor comfort and include circuit breakers which meet UL and cUL requirements for service disconnect
- **Less than 2% Cabinet Air Leakage at 1-inch H₂O:** When tested in accordance with ASHRAE Standard 193

¹Based on manufacturer's air handler offering, and the product's airflow stages, motor type and cabinet insulation. Sound levels are also dependent on air handler location and installation.

²The Bluetooth® word mark and logos are registered trademarks owned by Bluetooth SIG, Inc. and any use of such marks by Rheem® is under license. Other trademarks and trade names are those of their respective owners.

³Fully communicating systems coming soon. Non communicating system EcoNet® benefits include demand response connection and unit monitoring.

⁴Wifi broadband internet connection required. Download the EcoNet® App from the App Store® or Google Play® to set up your EcoNet® Smart Thermostat. Receipt of notifications depend on home WiFi set up. Amazon, Alex and all related logos are trademarks of Amazon.com, Inc. or its affiliates.

Air Handlers

<u>R</u>	<u>H</u>	<u>2</u>	<u>V</u>	<u>Z</u>	<u>24</u>	<u>17</u>	<u>S</u>	<u>T</u>	<u>A</u>	<u>N</u>	<u>N</u>	<u>J</u>
Brand	Stages Of Airflow	Motor Type	Refrigerant	Capacity	Width	Efficiency	Metering	Major Series	Controls	Coil Series	Voltage	
R - Ruud	H - Air Handler	2 - 2-Stage	C - Constant CFM	Z - R-410A	24 - 24,000 [7.03 kW] 36 - 36,000 [10.55 kW] 48 - 48,000 [14.07 kW] 60 - 60,000 [17.58 kW]	17 - 17.5" 21 - 21" 24 - 24.5"	S - Standard M - Mid	T - TXV	A - 1st Design	N - Non-Communicating ¹	A - A Coil N - N Coil	J - 208-240/1/60

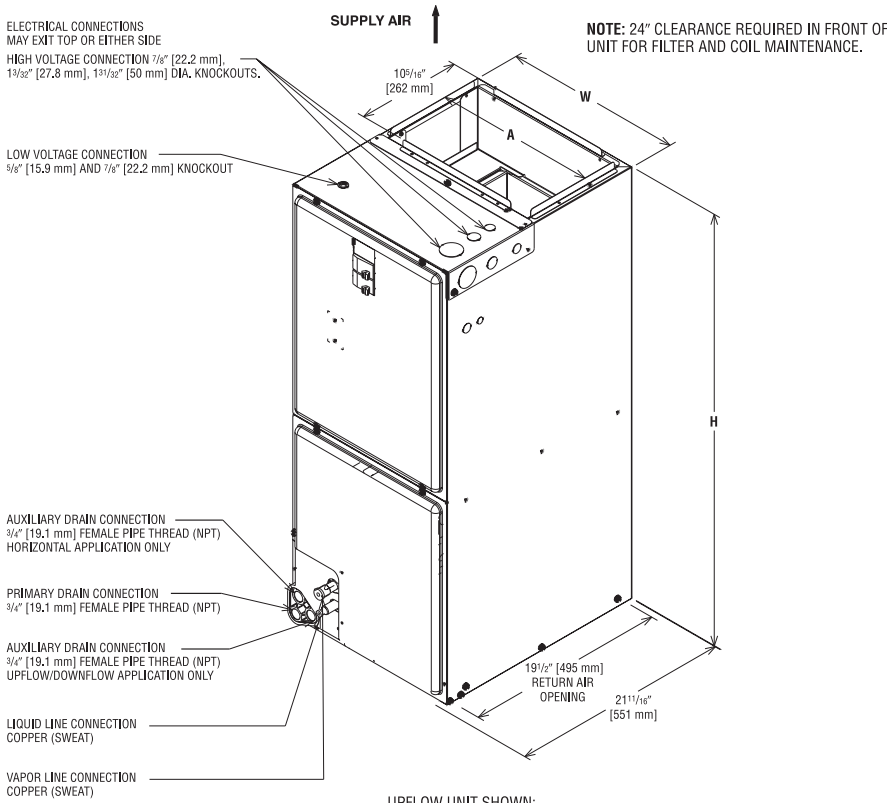
[] Designates Metric Conversions

Available Models
RH2VZ2417STANNJ
RH2VZ3617STANNJ
RH2VZ3621STANNJ
RH2VZ3621MTANAJ
RH2VZ3621MTANNJ
RH2VZ4821STANNJ
RH2VZ4821STANAJ
RH2VZ4824STANNJ
RH2VZ6021STANAJ
RH2VZ6024STANNJ

Standard Equipment
EcoNet® Air Handler Control Board
Quiet efficient ECM Motor technology
Selectable continuous fan "on" option
Compact unit design
Attractive pre-painted cabinet exterior
Rugged steel cabinet construction
1.0" foil faced insulation mechanically retained in blower compartment
Four leg rubber insulated motor mount
Blower housing with integrated controls, motor and blower slide out design
Compact indoor coil design
Coils constructed of aluminum fins bonded to internally grooved aluminum
Coils have copper sweat refrigerant connections
Coils utilize chatleff metering device connections
Molded polymer corrosion resistant condensate drain pan
Supply duct flanges
Side or top cabinet provisions for electrical connections
High voltage wiring connection point inside cabinet
Low voltage wiring connection point on outside of cabinet
Concentric knockouts for power connections
Front refrigerant and drain connections

¹ Fully communicating systems coming soon. Non communicating system EcoNet® benefits include demand response connection and unit monitoring.

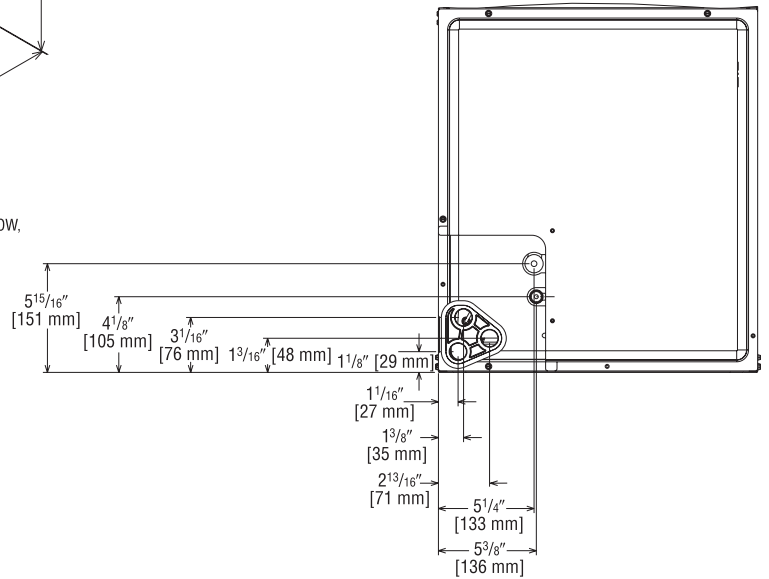
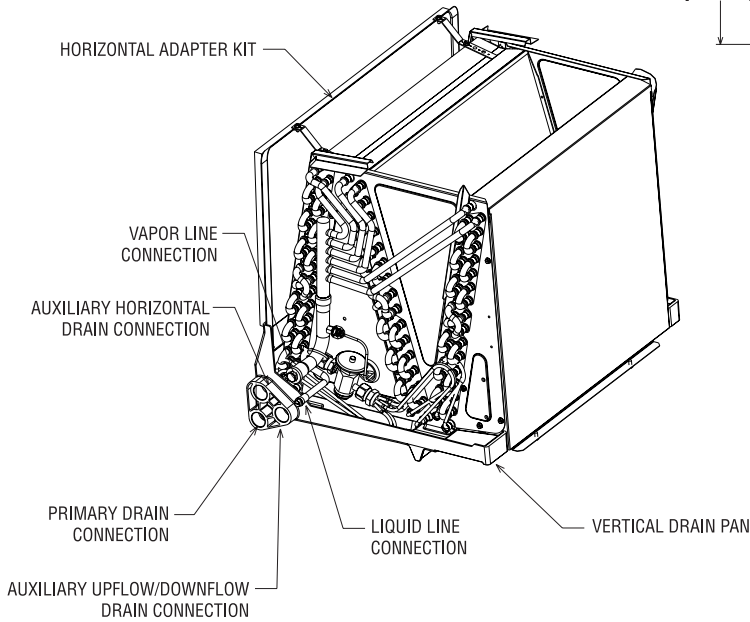
Unit Dimensions



UPFLOW UNIT SHOWN:
UNIT MAY BE INSTALLED UPFLOW, DOWNFLOW,
HORIZONTAL RIGHT OR LEFT AIR SUPPLY.

Return Air Opening Dimensions

Model Cabinet Size	Return Air Opening Width (Inches)	Return Air Opening Depth/Length (Inches)
17	15 7/8	19 3/4
21	19 3/8	19 3/4
24	22 7/8	19 3/4



UPFLOW UNIT SHOWN:
UNIT MAY BE INSTALLED UPFLOW,
DOWNFLOW, HORIZONTAL RIGHT
OR LEFT AIR SUPPLY.

[] Designates Metric Conversions
() Designates Unit with Double Coil Cabinet

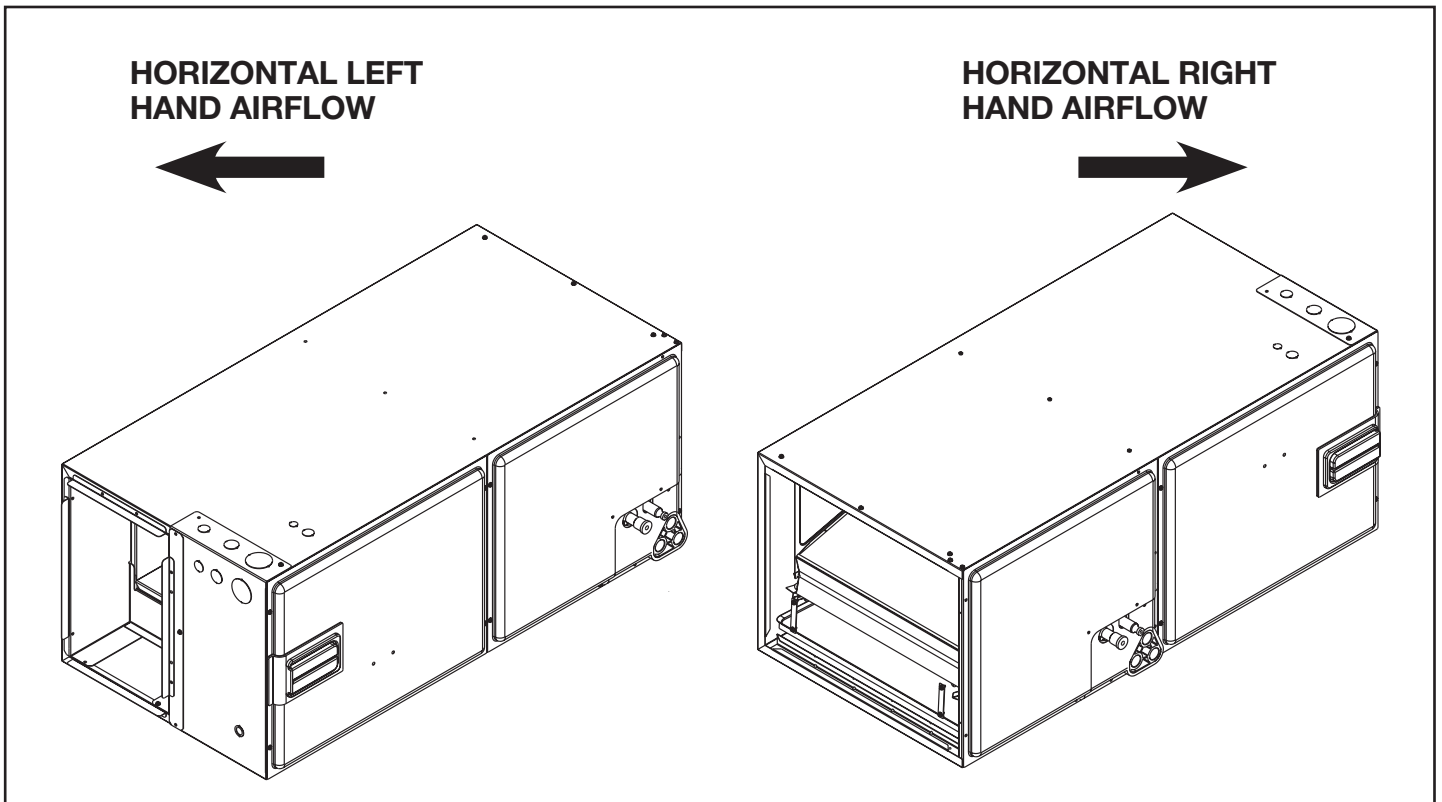
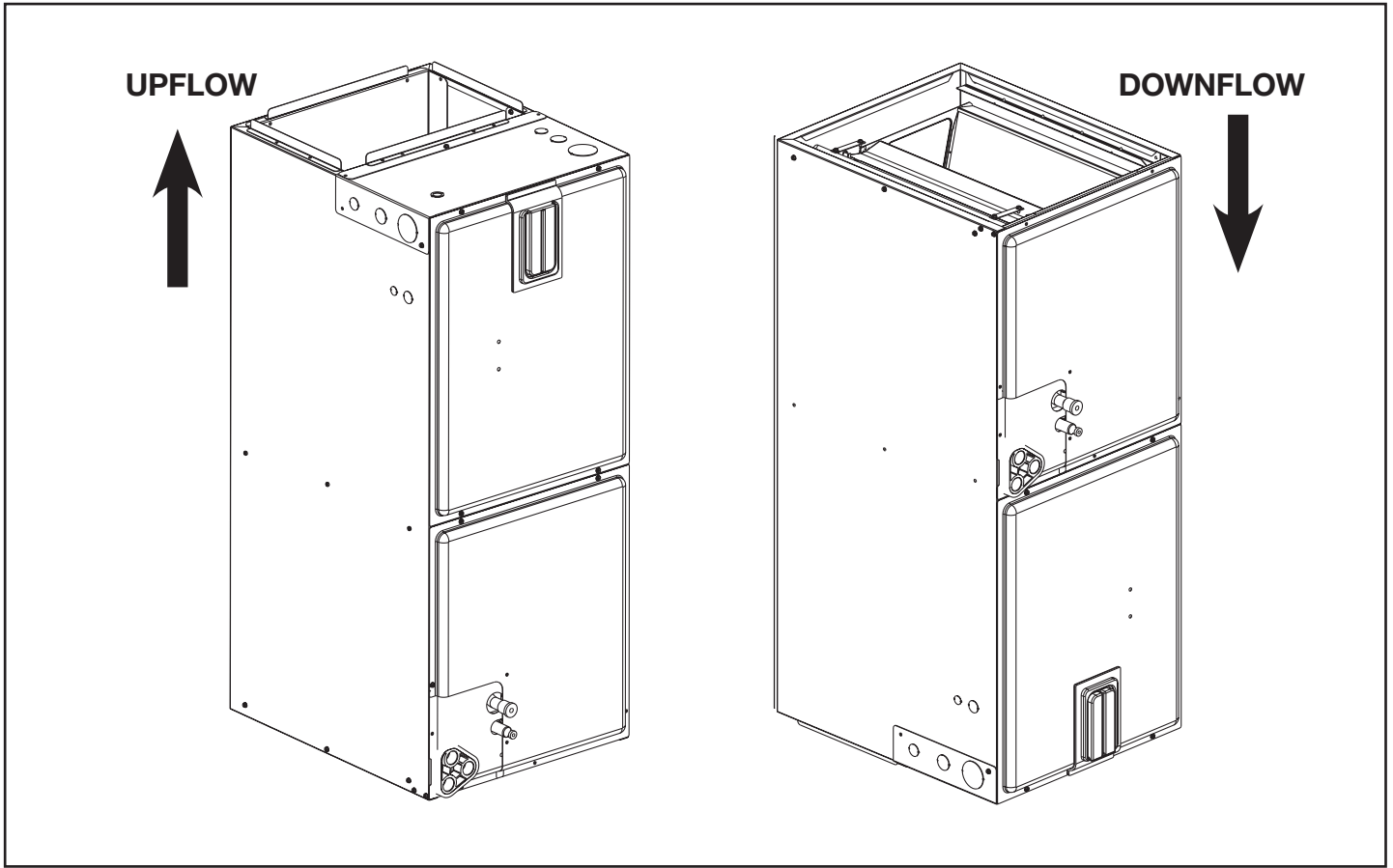
Unit Dimensions & Weights

Model Family	Model Size RH2VZ	Refrigerant Connections Sweat (In.) [mm] ID		Unit Width "W" In. [mm]	Unit Height "H" In. [mm]	Supply Duct "A" In. [mm]	Unit Weight/Shipping Weight (Lbs.) [kg]
		Liquid	Vapor				Unit With Coil (Max. KW)
RH2VZ	2417STANN	3/8 [9.53]	3/4 [19.05]	17 1/2 [445]	42 1/2 [1080]	16 [406]	91/105 [41/48]
	3617STANN	3/8 [9.53]	3/4 [19.05]	17 1/2 [445]	42 1/2 [1080]	16 [406]	98/112 [44/51]
	3621STANN	3/8 [9.53]	3/4 [19.05]	21 [533]	42 1/2 [1080]	19 1/2 [495]	103/118 [47/54]
	3621MTANN	3/8 [9.53]	7/8 [22.23]	21 [533]	50 1/2 [1282]	19 1/2 [495]	126/142 [57/64]
	3621MTANA	3/8 [9.53]	7/8 [22.23]	21 [533]	57 [1448]	19 1/2 [495]	138/150 [63/68]
	4821STANN	3/8 [9.53]	7/8 [22.23]	21 [533]	50 1/2 [1282]	19 1/2 [495]	128/144 [56/65]
	4821STANA	3/8 [9.53]	7/8 [22.23]	21 [533]	57 [1448]	19 1/2 [495]	140/152 [64/69]
	4824STANN	3/8 [9.53]	7/8 [22.23]	24 1/2 [622]	55 1/2 [1410]	23 [584]	142/160 [64/73]
	6021STANA	3/8 [9.53]	7/8 [22.23]	21 [533]	57 [1448]	19 1/2 [495]	140/152 [64/69]
6024STANN	3/8 [9.53]	7/8 [22.23]	24 1/2 [622]	55 1/2 [1410]	23 [584]	159/176 [72/80]	

*Maximum dehumidification airflow.

[] Designates Metric Conversions

Airflow Directional Data



Airflow Performance

Airflow performance data is based on cooling performance with a coil and no filter in place. Select performance table for appropriate unit size, voltage and number of electric heaters to be used. Make sure external static applied to unit allows operation within the minimum and maximum limits shown in

table below for both cooling and electric heat operation. For optimum blower performance, operate the unit in the .3 [8 mm] to .7 inches [18 mm] W.C. external static range. Units with coils should be applied with a minimum of .1 inch [3 mm] W.C. external static range.

Airflow Performance Data RH2V

Rated Airflow for RH2VZ Air Handlers + RA13/RA14 Condensing Units & RP14/RP15 Heat Pumps					
Air Handler Model	Outdoor Model	RH2VZ Airflow (EcoNet®)*			
		Cooling Mode CFM [L/s]		Heating Mode CFM [L/s]	
		Minimum	Maximum	Minimum	Maximum
RH2VZ2417STANN	RA13NZ18/RA13NZ24	580 [274]	767 [362]	—	—
	RA14AZ18/RA14AZ24			—	—
	RP14AZ18/RP14AZ24			580 [274]	767 [362]
	RP15AZ18/RP15AZ24			—	—
RH2VZ3617STANN	RA13NZ30/RA13NZ36	727 [343]	1069 [505]	—	—
	RA14AZ30/RA14AZ36			—	—
	RP14AZ30/RP14AZ36			727 [343]	1069 [505]
	RP15AZ30/RP15AZ36			—	—
RH2VZ3621STANN	RA13NZ30/RA13NZ36	727 [343]	1069 [505]	—	—
	RA14AZ30/RA14AZ36			—	—
	RP14AZ30/RP14AZ36			727 [343]	1069 [505]
	RP15AZ30/RP15AZ36			—	—
RH2VZ3621MTANN	RA13NZ30/RA13NZ36	727 [343]	1069 [505]	—	—
	RA14AZ30/RA14AZ36			—	—
RH2VZ3621MTANA	RA13NZ30/RA13NZ36	727 [343]	1069 [505]	—	—
	RA14AZ30/RA14AZ36			—	—
RH2VZ4821STANN	RA13NZ42/RA13NZ48	1024 [483]	1478 [698]	—	—
	RA14AZ42/RA14AZ48			—	—
	RP14AZ42/RP14AZ48			1024 [483]	1478 [698]
	RP15AZ42/RP15AZ48			—	—
RH2VZ4821STANA	RA13NZ42/RA13NZ48	1024 [483]	1478 [698]	—	—
	RA14AZ42/RA14AZ48			—	—
RH2VZ4824STANN	RA13NZ42/RA13NZ48	1024 [483]	1478 [698]	—	—
	RA14AZ42/RA14AZ48			—	—
	RP14AZ42/RP14AZ48			1024 [483]	1478 [698]
	RP15AZ42/RP15AZ48			—	—
RH2VZ6021STANA	RA13NZ60/RA13NZ60	1140 [538]	1857 [876]	—	—
RH2VZ6024STANN	RA13NZ60/RA13NZ60	1140 [538]	1857 [876]	—	—
	RP14AZ60/RP15AZ60			1140 [538]	1857 [876]

*When using an EcoNet® Control Center, the air handler will deliver 375 CFM/ton.

[] Designates Metric Conversions

Electrical Data – Blower Motor Only – No Electric Heat RH2VZ

Model Family	Model Size	Voltage	Phase	Hertz	HP [W]	RPM	Circuit Amps.	Minimum Circuit Ampacity	Maximum Circuit Protector
RH2VZ	2417STANN	208/240	1	60	1/3	300-1300	2.8	4	15
	3617STANN		1		1/2		4.6	6	15
	3621STANN		1		1/3		2.7	4	15
	3621MTANN		1		1/2		3.9	5	15
	3621MTANA		1		1/2		3.8	5	15
	4821STANN		1		3/4		5.4	7	15
	4821STANA		1		3/4		5.7	8	15
	4824STANN		1		3/4		5.1	7	15
	6021STANA		1		3/4		5.7	8	15
	6024STANN		1		3/4		5.2	7	15

*Blower motors are all single-phase motors

[] Designates Metric Conversions

Electrical Data – With Electric Heat RH2VZ

Installation of the U.L. Listed original equipment manufacturer provided heater kits listed in the table below is recommended for all auxiliary heating requirements.

Air Handler Model	Heater Model No.	Heater kW (208/240V)	PH/HZ	No. Elements kW Per	Circuit Type	Heater Circuit Amps	Tested Blower Motor Amps	Minimum Circuit Ampacity	Maximum Overcurrent Protection
RH2VZ2417STANNJ	RXBH-1724?03J-B	2.3/3.0	1/60	1-3.0	SINGLE	11.1/12.5	2.8	18/20	20/20
	RXBH-1724?05J-B	3.6/4.8	1/60	1-4.8	SINGLE	17.4/20	2.8	26/29	30/30
	RXBH-1724?07J-B	5.4/7.2	1/60	2-3.6	SINGLE	26/30	2.8	36/41	40/45
	RXBH-1724?10J-B	7.2/9.6	1/60	2-4.8	SINGLE	34.7/40	2.8	47/54	50/60
	RXBH-1724A13J-B	9.4/12.5	1/60	3-4.17	SINGLE	45.2/52.1	2.8	60/69	60/70
		3.1/4.2	1/60	1-4.17	MULTIPLE CKT 1	15/17.5	2.8	23/26	25/30
		6.3/8.3	1/60	2-4.17	MULTIPLE CKT 2	30.3/34.6	0	38/44	40/45
	RXBH-17A05C-B	3.6/4.8	3/60	1-4.8	SINGLE	10/11.6	2.8	16/18	20/20
	RXBH-24A05C-B	3.6/4.8	3/60	1-4.8	SINGLE	10/11.6	2.8	16/18	20/20
	RXBH-1724B05C-B	3.6/4.8	3/60	1-4.8	SINGLE	10/11.6	2.8	16/18	20/20
	RXBH-1724A07C-B	5.4/7.2	3/60	2-3.6	SINGLE	15/17.4	2.8	23/26	25/30
	RXBH-1724A10C-B	7.2/9.6	3/60	2-4.8	SINGLE	20/23.1	2.8	29/33	30/35
RXBH-1724A13C-B	9.4/12.5	3/60	3-4.17	SINGLE	26.1/30.1	2.8	37/42	40/45	
RH2VZ3617STANNJ	RXBH-1724?03J-B	2.3/3.0	1/60	1-3.0	SINGLE	11.1/12.5	4.6	20/22	20/25
	RXBH-1724?05J-B	3.6/4.8	1/60	1-4.8	SINGLE	17.4/20	4.6	28/31	30/35
	RXBH-1724?07J-B	5.4/7.2	1/60	2-3.6	SINGLE	26/30	4.6	39/44	40/45
	RXBH-1724?10J-B	7.2/9.6	1/60	2-4.8	SINGLE	34.7/40	4.6	50/56	50/60
	RXBH-1724A13J-B	9.4/12.5	1/60	3-4.17	SINGLE	45.2/52.1	4.6	63/71	70/80
		3.1/4.2	1/60	1-4.17	MULTIPLE CKT 1	15/17.5	4.6	25/28	25/30
		6.3/8.3	1/60	2-4.17	MULTIPLE CKT 2	30.3/34.6	0	38/44	40/45
	RXBH-1724A15J-B	10.8/14.4	1/60	3-4.8	SINGLE	52/60	4.6	71/81	80/90
	RXBH-1724A15J-B	3.6/4.8	1/60	1-4.8	MULTIPLE CKT 1	17.4/20	4.6	28/31	30/35
		7.2/9.6	1/60	2-4.8	MULTIPLE CKT 2	34.7/40	0	44/50	45/50
	RXBH-1724A18J-B	12.8/17.0	1/60	3-5.68	SINGLE	61.6/70.9	4.6	83/95	90/100
	RXBJ-1724A18J-B	4.3/5.7	1/60	1-5.68	MULTIPLE CKT 1	20.7/23.8	4.6	32/36	35/40
		8.5/11.3	1/60	2-5.68	MULTIPLE CKT 2	40.9/47.1	0	52/59	60/60
	RXBH-17A05C-B	3.6/4.8	3/60	1-4.8	SINGLE	10/11.6	4.6	19/21	20/25
	RXBH-24A05C-B	3.6/4.8	3/60	1-4.8	SINGLE	10/11.6	4.6	19/21	20/25
	RXBH-1724B05C-B	3.6/4.8	3/60	1-4.8	SINGLE	10/11.6	4.6	19/21	20/25
	RXBH-1724A07C-B	5.4/7.2	3/60	2-3.6	SINGLE	15/17.4	4.6	25/28	25/30
	RXBH-1724A10C-B	7.2/9.6	3/60	2-4.8	SINGLE	20/23.1	4.6	31/35	35/35
	RXBH-1724A13C-B	9.4/12.5	3/60	3-4.17	SINGLE	26.1/30.1	4.6	39/44	40/45
	RXBH-1724A15C-B	10.8/14.4	3/60	3-4.8	SINGLE	30/34.7	4.6	44/50	45/50
RXBH-1724A18C-B	12.8/17.0	3/60	3-5.68	SINGLE	35.6/40.9	4.6	51/57	60/60	

? = A/B/C Heater Connection Types

A = Breaker

B = Terminal Block

C = Pullout Disconnect

Electrical Data – With Electric Heat RH2VZ (Con't.)

Installation of the U.L. Listed original equipment manufacturer provided heater kits listed in the table below is recommended for all auxiliary heating requirements.

Air Handler Model	Heater Model No.	Heater kW (208/240V)	PH/HZ	No. Elements kW Per	Circuit Type	Heater Circuit Amps	Tested Blower Motor Amps	Minimum Circuit Ampacity	Maximum Overcurrent Protection
RH2VZ3621STANNJ	RXBH-1724?03J-B	2.3/3.0	1-3.0	1-3.0	SINGLE	11.1/12.5	2.7	18/19	20/20
	RXBH-1724?05J-B	3.6/4.8	1-4.8	1-4.8	SINGLE	17.4/20	2.7	26/29	30/30
	RXBH-1724?07J-B	5.4/7.2	2-3.6	2-3.6	SINGLE	26/30	2.7	36/41	40/45
	RXBH-1724?10J-B	7.2/9.6	2-4.8	2-4.8	SINGLE	34.7/40	2.7	47/54	50/60
	RXBH-1724A13J-B	9.4/12.5	3-4.17	3-4.17	SINGLE	45.2/52.1	2.7	60/69	60/70
		3.1/4.2	1-4.17	1-4.17	MULTIPLE CKT 1	15/17.5	2.7	23/26	25/30
		6.3/8.3	2-4.17	2-4.17	MULTIPLE CKT 2	30.3/34.6	0	38/44	40/45
	RXBH-1724A15J-B	10.8/14.4	3-4.8	3-4.8	SINGLE	52/60	2.7	69/79	70/80
	RXBH-1724A15J-B	3.6/4.8	1-4.8	1-4.8	MULTIPLE CKT 1	17.4/20	2.7	26/29	30/30
		7.2/9.6	2-4.8	2-4.8	MULTIPLE CKT 2	34.7/40	0	44/50	45/50
	RXBH-1724A18J-B	12.8/17.0	3-5.68	3-5.68	SINGLE	61.6/70.9	2.7	81/92	90/100
	RXBJ-1724A18J-B	4.3/5.7	1-5.68	1-5.68	MULTIPLE CKT 1	20.7/23.8	2.7	30/34	30/35
		8.5/11.3	2-5.68	2-5.68	MULTIPLE CKT 2	40.9/47.1	0	52/59	60/60
	RXBH-17A05C-B	3.6/4.8	3/60	1-4.8	SINGLE	10/11.6	2.7	16/18	20/20
	RXBH-24A05C-B	3.6/4.8	3/60	1-4.8	SINGLE	10/11.6	2.7	16/18	20/20
	RXBH-1724B05C-B	3.6/4.8	3/60	1-4.8	SINGLE	10/11.6	2.7	16/18	20/20
	RXBH-1724A07C-B	5.4/7.2	3/60	2-3.6	SINGLE	15/17.4	2.7	23/26	25/30
	RXBH-1724A10C-B	7.2/9.6	3/60	2-4.8	SINGLE	20/23.1	2.7	29/33	30/35
	RXBH-1724A13C-B	9.4/12.5	3/60	3-4.17	SINGLE	26.1/30.1	2.7	36/41	40/45
	RXBH-1724A15C-B	10.8/14.4	3/60	3-4.8	SINGLE	30/34.7	2.7	41/47	45/50
RXBH-1724A18C-B	12.8/17.0	3/60	3-5.68	SINGLE	35.6/40.9	2.7	48/55	50/60	
RH2VZ3621MTANNJ	RXBH-1724?03J-B	2.3/3.0	1/60	1-3.0	SINGLE	11.1/12.5	3.9	19/21	20/25
	RXBH-1724?05J-B	3.6/4.8	1/60	1-4.8	SINGLE	17.4/20	3.9	27/30	30/30
	RXBH-1724?07J-B	5.4/7.2	1/60	2-3.6	SINGLE	26/30	3.9	38/43	40/45
	RXBH-1724?10J-B	7.2/9.6	1/60	2-4.8	SINGLE	34.7/40	3.9	49/55	50/60
	RXBH-1724A13J-B	9.4/12.5	1/60	3-4.17	SINGLE	45.2/52.1	3.9	62/70	70/70
		3.1/4.2	1/60	1-4.17	MULTIPLE CKT 1	15/17.5	3.9	24/27	25/30
		6.3/8.3	1/60	2-4.17	MULTIPLE CKT 2	30.3/34.6	0	38/44	40/45
	RXBH-1724A15J-B	10.8/14.4	1/60	3-4.8	SINGLE	52/60	3.9	70/80	70/80
	RXBH-1724A15J-B	3.6/4.8	1/60	1-4.8	MULTIPLE CKT 1	17.4/20	3.9	27/30	30/30
		7.2/9.6	1/60	2-4.8	MULTIPLE CKT 2	34.7/40	0	44/50	45/50
	RXBH-1724A18J-B	12.8/17.0	1/60	3-5.68	SINGLE	61.6/70.9	3.9	82/94	90/100
	RXBJ-1724A18J-B	4.3/5.7	1/60	1-5.68	MULTIPLE CKT 1	20.7/23.8	3.9	31/35	35/35
		8.5/11.3	1/60	2-5.68	MULTIPLE CKT 2	40.9/47.1	0	52/59	60/60
	RXBH-17A05C-B	3.6/4.8	3/60	1-4.8	SINGLE	10/11.6	3.9	18/20	20/20
	RXBH-24A05C-B	3.6/4.8	3/60	1-4.8	SINGLE	10/11.6	3.9	18/20	20/20
	RXBH-1724B05C-B	3.6/4.8	3/60	1-4.8	SINGLE	10/11.6	3.9	18/20	20/20
	RXBH-1724A07C-B	5.4/7.2	3/60	2-3.6	SINGLE	15/17.4	3.9	24/27	25/30
	RXBH-1724A10C-B	7.2/9.6	3/60	2-4.8	SINGLE	20/23.1	3.9	30/34	30/35
	RXBH-1724A13C-B	9.4/12.5	3/60	3-4.17	SINGLE	26.1/30.1	3.9	38/43	40/45
	RXBH-1724A15C-B	10.8/14.4	3/60	3-4.8	SINGLE	30/34.7	3.9	43/49	45/50
RXBH-1724A18C-B	12.8/17.0	3/60	3-5.68	SINGLE	35.6/40.9	3.9	50/56	50/60	

? = A/B/C Heater Connection Types

A = Breaker

B = Terminal Block

C = Pullout Disconnect

Electrical Data – With Electric Heat RH2VZ (Con't.)

Installation of the U.L. Listed original equipment manufacturer provided heater kits listed in the table below is recommended for all auxiliary heating requirements.

Air Handler Model	Heater Model No.	Heater kW (208/240V)	PH/HZ	No. Elements kW Per	Circuit Type	Heater Circuit Amps	Tested Blower Motor Amps	Minimum Circuit Ampacity	Maximum Overcurrent Protection
RH2VZ3621MTANAJ	RXBH-1724?03J-B	2.3/3.0	1/60	1-3.0	SINGLE	11.1/12.5	3.8	19/21	20/25
	RXBH-1724?05J-B	3.6/4.8	1/60	1-4.8	SINGLE	17.4/20	3.8	27/30	30/30
	RXBH-1724?07J-B	5.4/7.2	1/60	2-3.6	SINGLE	26/30	3.8	38/43	40/45
	RXBH-1724?10J-B	7.2/9.6	1/60	2-4.8	SINGLE	34.7/40	3.8	49/55	50/60
	RXBH-1724A13J-B	9.4/12.5	1/60	3-4.17	SINGLE	45.2/52.1	3.8	62/70	70/70
		3.1/4.2	1/60	1-4.17	MULTIPLE CKT 1	15/17.5	3.8	24/27	25/30
	RXBH-1724A15J-B	6.3/8.3	1/60	2-4.17	MULTIPLE CKT 2	30.3/34.6	0	38/44	40/45
		10.8/14.4	1/60	3-4.8	SINGLE	52/60	3.8	70/80	70/80
	RXBH-1724A15J-B	3.6/4.8	1/60	1-4.8	MULTIPLE CKT 1	17.4/20	3.8	27/30	30/30
		7.2/9.6	1/60	2-4.8	MULTIPLE CKT 2	34.7/40	0	44/50	45/50
	RXBH-1724A18J-B	12.8/17.0	1/60	3-5.68	SINGLE	61.6/70.9	3.8	82/94	90/100
	RXBJ-1724A18J-B	4.3/5.7	1/60	1-5.68	MULTIPLE CKT 1	20.7/23.8	3.8	31/35	35/35
		8.5/11.3	1/60	2-5.68	MULTIPLE CKT 2	40.9/47.1	0	52/59	60/60
	RXBH-17A05C-B	3.6/4.8	3/60	1-4.8	SINGLE	10/11.6	3.8	18/20	20/20
	RXBH-24A05C-B	3.6/4.8	3/60	1-4.8	SINGLE	10/11.6	3.8	18/20	20/20
	RXBH-1724B05C-B	3.6/4.8	3/60	1-4.8	SINGLE	10/11.6	3.8	18/20	20/20
	RXBH-1724A07C-B	5.4/7.2	3/60	2-3.6	SINGLE	15/17.4	3.8	24/27	25/30
	RXBH-1724A10C-B	7.2/9.6	3/60	2-4.8	SINGLE	20/23.1	3.8	30/34	30/35
	RXBH-1724A13C-B	9.4/12.5	3/60	3-4.17	SINGLE	26.1/30.1	3.8	38/43	40/45
	RXBH-1724A15C-B	10.8/14.4	3/60	3-4.8	SINGLE	30/34.7	3.8	43/49	45/50
RXBH-1724A18C-B	12.8/17.0	3/60	3-5.68	SINGLE	35.6/40.9	3.8	50/56	50/60	
RH2VZ4821STANNJ	RXBH-1724?03J-B	2.3/3.0	1/60	1-3.0	SINGLE	11.1/12.5	5.4	21/23	25/25
	RXBH-1724?05J-B	3.6/4.8	1/60	1-4.8	SINGLE	17.4/20	5.4	29/32	30/35
	RXBH-1724?07J-B	5.4/7.2	1/60	2-3.6	SINGLE	26/30	5.4	40/45	40/45
	RXBH-1724?10J-B	7.2/9.6	1/60	2-4.8	SINGLE	34.7/40	5.4	51/57	60/60
	RXBH-1724A13J-B	9.4/12.5	1/60	3-4.17	SINGLE	45.2/52.1	5.4	64/72	70/80
	RXBH-1724A13J-B	3.1/4.2	1/60	1-4.17	MULTIPLE CKT 1	15/17.5	5.4	26/29	30/30
		6.3/8.3	1/60	2-4.17	MULTIPLE CKT 2	30.3/34.6	0	38/44	40/45
	RXBH-1724A15J-B	10.8/14.4	1/60	3-4.8	SINGLE	52/60	5.4	72/82	80/90
	RXBH-1724A15J-B	3.6/4.8	1/60	1-4.8	MULTIPLE CKT 1	17.4/20	5.4	29/32	30/35
		7.2/9.6	1/60	2-4.8	MULTIPLE CKT 2	34.7/40	0	44/50	45/50
	RXBH-1724A18J-B	12.8/17.0	1/60	3-5.68	SINGLE	61.6/70.9	5.4	84/96	90/100
	RXBJ-1724A18J-B	4.3/5.7	1/60	1-5.68	MULTIPLE CKT 1	20.7/23.8	5.4	33/37	35/40
8.5/11.3		1/60	2-5.68	MULTIPLE CKT 2	40.9/47.1	0	52/59	60/60	

? = A/B/C Heater Connection Types
A = Breaker
B = Terminal Block
C = Pullout Disconnect

Electrical Data – With Electric Heat RH2VZ (Con't.)

Installation of the U.L. Listed original equipment manufacturer provided heater kits listed in the table below is recommended for all auxiliary heating requirements.

Air Handler Model	Heater Model No.	Heater kW (208/240V)	PH/HZ	No. Elements kW Per	Circuit Type	Heater Circuit Amps	Tested Blower Motor Amps	Minimum Circuit Ampacity	Maximum Overcurrent Protection
RH2VZ4821STANNJ	RXBH-24A20J-B	14.4/19.2	1/60	4-4.8	SINGLE	69.3/80	5.4	94/107	100/110
	RXBH-1724A20J-B	7.2/9.6	1/60	2-4.8	MULTIPLE CKT 1	34.7/40	5.4	51/57	60/60
		7.2/9.6	1/60	2-4.8	MULTIPLE CKT 2	34.7/40	0	44/50	45/50
	RXBH-24A25J-B	18.0/24.0	1/60	6-4.0	SINGLE	86.6/100	5.4	115/132	125/150
		6.0/8.0	1/60	2-4.0	MULTIPLE CKT 1	28.9/33.4	5.4	43/49	45/50
		6.0/8.0	1/60	2-4.0	MULTIPLE CKT 2	28.9/33.4	0	37/42	40/45
	RXBH-24A30J-B	6.0/8.0	1/60	2-4.0	MULTIPLE CKT 3	28.9/33.4	0	37/42	40/45
		21.6/28.8	1/60	6-4.8	SINGLE	103.9/120	5.4	137/157	150/175
		7.2/9.6	1/60	2-4.8	MULTIPLE CKT 1	34.7/40	5.4	51/57	60/60
	RXBH-17A05C-B	7.2/9.6	1/60	2-4.8	MULTIPLE CKT 2	34.7/40	0	44/50	45/50
		7.2/9.6	1/60	2-4.8	MULTIPLE CKT 3	34.7/40	0	44/50	45/50
		3.6/4.8	3/60	1-4.8	SINGLE	10/11.6	5.4	20/22	20/25
	RXBH-24A05C-B	3.6/4.8	3/60	1-4.8	SINGLE	10/11.6	5.4	20/22	20/25
	RXBH-1724B05C-B	3.6/4.8	3/60	1-4.8	SINGLE	10/11.6	5.4	20/22	20/25
	RXBH-1724A07C-B	5.4/7.2	3/60	2-3.6	SINGLE	15/17.4	5.4	26/29	30/30
	RXBH-1724A10C-B	7.2/9.6	3/60	2-4.8	SINGLE	20/23.1	5.4	32/36	35/40
	RXBH-1724A13C-B	9.4/12.5	3/60	3-4.17	SINGLE	26.1/30.1	5.4	40/45	40/45
	RXBH-1724A15C-B	10.8/14.4	3/60	3-4.8	SINGLE	30/34.7	5.4	45/51	45/60
	RXBH-1724A18C-B	12.8/17.0	3/60	3-5.68	SINGLE	35.6/40.9	5.4	52/58	60/60
	RXBH-24A20C-B	14.4/19.2	3/60	4-4.8	SINGLE	40/46.2	5.4	57/65	60/70
	RXBH-1724A20J-B	7.2/9.6	3/60	2-4.8	MULTIPLE CKT 1	20/23.1	5.4	32/36	35/40
		7.2/9.6	3/60	2-4.8	MULTIPLE CKT 2	20/23.1	0	25/29	25/30
	RXBH-24A25C-B	18.0/24.0	3/60	6-4.0	SINGLE	50/57.7	5.4	70/79	70/80
	RXBH-1724A20J-B	9.0/12.0	3/60	3-4.0	MULTIPLE CKT 1	25/28.9	5.4	38/43	40/45
		9.0/12.0	3/60	3-4.0	MULTIPLE CKT 2	25/28.9	0	32/37	35/40
	RXBH-24A30C-B	21.6/28.8	3/60	6-4.8	SINGLE	60/69.3	5.4	82/94	90/100
	RXBH-1724A20J-B	10.8/14.4	3/60	3-4.8	MULTIPLE CKT 1	30/34.7	5.4	45/51	45/60
10.8/14.4		3/60	3-4.8	MULTIPLE CKT 2	30/34.7	0	38/44	40/45	
RH2VZ4821STANAJ	RXBH-1724?03J-B	2.3/3.0	1/60	1-3.0	SINGLE	11.1/12.5	5.7	21/23	25/25
	RXBH-1724?05J-B	3.6/4.8	1/60	1-4.8	SINGLE	17.4/20	5.7	29/33	30/35
	RXBH-1724?07J-B	5.4/7.2	1/60	2-3.6	SINGLE	26/30	5.7	40/45	40/45
	RXBH-1724?10J-B	7.2/9.6	1/60	2-4.8	SINGLE	34.7/40	5.7	51/58	60/60
	RXBH-1724A13J-B	9.4/12.5	1/60	3-4.17	SINGLE	45.2/52.1	5.7	64/73	70/80
		3.1/4.2	1/60	1-4.17	MULTIPLE CKT 1	15/17.5	5.7	26/29	30/30
		6.3/8.3	1/60	2-4.17	MULTIPLE CKT 2	30.3/34.6	0	38/44	40/45

? = A/B/C Heater Connection Types
A = Breaker
B = Terminal Block
C = Pullout Disconnect

Electrical Data – With Electric Heat RH2VZ (Con't.)

Installation of the U.L. Listed original equipment manufacturer provided heater kits listed in the table below is recommended for all auxiliary heating requirements.

Air Handler Model	Heater Model No.	Heater kW (208/240V)	PH/HZ	No. Elements kW Per	Circuit Type	Heater Circuit Amps	Tested Blower Motor Amps	Minimum Circuit Ampacity	Maximum Overcurrent Protection
RH2VZ4821STANAJ	RXBH-1724A15J-B	10.8/14.4	1/60	3-4.8	SINGLE	52/60	5.7	73/83	80/90
	RXBH-1724A15J-B	3.6/4.8	1/60	1-4.8	MULTIPLE CKT 1	17.4/20	5.7	29/33	30/35
		7.2/9.6	1/60	2-4.8	MULTIPLE CKT 2	34.7/40	0	44/50	45/50
	RXBH-1724A18J-B	12.8/17.0	1/60	3-5.68	SINGLE	61.6/70.9	5.7	85/96	90/100
	RXBJ-1724A18J-B	4.3/5.7	1/60	1-5.68	MULTIPLE CKT 1	20.7/23.8	5.7	33/37	35/40
		8.5/11.3	1/60	2-5.68	MULTIPLE CKT 2	40.9/47.1	0	52/59	60/60
	RXBH-24A20J-B	14.4/19.2	1/60	4-4.8	SINGLE	69.3/80	5.7	94/108	100/110
	RXBH-1724A20J-B	7.2/9.6	1/60	2-4.8	MULTIPLE CKT 1	34.7/40	5.7	51/58	60/60
		7.2/9.6	1/60	2-4.8	MULTIPLE CKT 2	34.7/40	0	44/50	45/50
	RXBH-24A25J-B	18.0/24.0	1/60	6-4.0	SINGLE	86.6/100	5.7	116/133	125/150
		6.0/8.0	1/60	2-4.0	MULTIPLE CKT 1	28.9/33.4	5.7	44/49	45/50
		6.0/8.0	1/60	2-4.0	MULTIPLE CKT 2	28.9/33.4	0	37/42	40/45
		6.0/8.0	1/60	2-4.0	MULTIPLE CKT 3	28.9/33.4	0	37/42	40/45
	RXBH-24A30J-B	21.6/28.8	1/60	6-4.8	SINGLE	103.9/120	5.7	137/158	150/175
		7.2/9.6	1/60	2-4.8	MULTIPLE CKT 1	34.7/40	5.7	51/58	60/60
		7.2/9.6	1/60	2-4.8	MULTIPLE CKT 2	34.7/40	0	44/50	45/50
		7.2/9.6	1/60	2-4.8	MULTIPLE CKT 3	34.7/40	0	44/50	45/50
	RXBH-17A05C-B	3.6/4.8	3/60	1-4.8	SINGLE	10/11.6	5.7	20/22	20/25
	RXBH-24A05C-B	3.6/4.8	3/60	1-4.8	SINGLE	10/11.6	5.7	20/22	20/25
	RXBH-1724B05C-B	3.6/4.8	3/60	1-4.8	SINGLE	10/11.6	5.7	20/22	20/25
	RXBH-1724A07C-B	5.4/7.2	3/60	2-3.6	SINGLE	15/17.4	5.7	26/29	30/30
	RXBH-1724A10C-B	7.2/9.6	3/60	2-4.8	SINGLE	20/23.1	5.7	33/36	35/40
	RXBH-1724A13C-B	9.4/12.5	3/60	3-4.17	SINGLE	26.1/30.1	5.7	40/45	40/45
	RXBH-1724A15C-B	10.8/14.4	3/60	3-4.8	SINGLE	30/34.7	5.7	45/51	45/60
	RXBH-1724A18C-B	12.8/17.0	3/60	3-5.68	SINGLE	35.6/40.9	5.7	52/59	60/60
	RXBH-24A20C-B	14.4/19.2	3/60	4-4.8	SINGLE	40/46.2	5.7	58/65	60/70
	RXBH-1724A20J-B	7.2/9.6	3/60	2-4.8	MULTIPLE CKT 1	20/23.1	5.7	33/36	35/40
		7.2/9.6	3/60	2-4.8	MULTIPLE CKT 2	20/23.1	0	25/29	25/30
	RXBH-24A25C-B	18.0/24.0	3/60	6-4.0	SINGLE	50/57.7	5.7	70/80	70/80
	RXBH-1724A20J-B	9.0/12.0	3/60	3-4.0	MULTIPLE CKT 1	25/28.9	5.7	39/44	40/45
		9.0/12.0	3/60	3-4.0	MULTIPLE CKT 2	25/28.9	0	32/37	35/40
	RXBH-24A30C-B	21.6/28.8	3/60	6-4.8	SINGLE	60/69.3	5.7	83/94	90/100
RXBH-1724A20J-B	10.8/14.4	3/60	3-4.8	MULTIPLE CKT 1	30/34.7	5.7	45/51	45/60	
	10.8/14.4	3/60	3-4.8	MULTIPLE CKT 2	30/34.7	0	38/44	40/45	

? = A/B/C Heater Connection Types

A = Breaker

B = Terminal Block

C = Pullout Disconnect

Electrical Data – With Electric Heat RH2VZ (Con't.)

Installation of the U.L. Listed original equipment manufacturer provided heater kits listed in the table below is recommended for all auxiliary heating requirements.

Air Handler Model	Heater Model No.	Heater kW (208/240V)	PH/HZ	No. Elements kW Per	Circuit Type	Heater Circuit Amps	Tested Blower Motor Amps	Minimum Circuit Ampacity	Maximum Overcurrent Protection
RH2VZ4824STANNJ	RXBH-1724?03J-B	2.3/3.0	1/60	1-3.0	SINGLE	11.1/12.5	5.1	21/22	25/25
	RXBH-1724?05J-B	3.6/4.8	1/60	1-4.8	SINGLE	17.4/20	5.1	29/32	30/35
	RXBH-1724?07J-B	5.4/7.2	1/60	2-3.6	SINGLE	26/30	5.1	39/44	40/45
	RXBH-1724?10J-B	7.2/9.6	1/60	2-4.8	SINGLE	34.7/40	5.1	50/57	50/60
	RXBH-1724A13J-B	9.4/12.5	1/60	3-4.17	SINGLE	45.2/52.1	5.1	63/72	70/80
		3.1/4.2	1/60	1-4.17	MULTIPLE CKT 1	15/17.5	5.1	26/29	30/30
		6.3/8.3	1/60	2-4.17	MULTIPLE CKT 2	30.3/34.6	0	38/44	40/45
	RXBH-1724A15J-B	10.8/14.4	1/60	3-4.8	SINGLE	52/60	5.1	72/82	80/90
	RXBH-1724A15J-B	3.6/4.8	1/60	1-4.8	MULTIPLE CKT 1	17.4/20	5.1	29/32	30/35
		7.2/9.6	1/60	2-4.8	MULTIPLE CKT 2	34.7/40	0	44/50	45/50
	RXBH-1724A18J-B	12.8/17.0	1/60	3-5.68	SINGLE	61.6/70.9	5.1	84/95	90/100
	RXBJ-1724A18J-B	4.3/5.7	1/60	1-5.68	MULTIPLE CKT 1	20.7/23.8	5.1	33/37	35/40
		8.5/11.3	1/60	2-5.68	MULTIPLE CKT 2	40.9/47.1	0	52/59	60/60
	RXBH-24A20J-B	14.4/19.2	1/60	4-4.8	SINGLE	69.3/80	5.1	93/107	100/110
	RXBH-1724A20J-B	7.2/9.6	1/60	2-4.8	MULTIPLE CKT 1	34.7/40	5.1	50/57	50/60
		7.2/9.6	1/60	2-4.8	MULTIPLE CKT 2	34.7/40	0	44/50	45/50
	RXBH-24A25J-B	18.0/24.0	1/60	6-4.0	SINGLE	86.6/100	5.1	115/132	125/150
		6.0/8.0	1/60	2-4.0	MULTIPLE CKT 1	28.9/33.4	5.1	43/49	45/50
		6.0/8.0	1/60	2-4.0	MULTIPLE CKT 2	28.9/33.4	0	37/42	40/45
		6.0/8.0	1/60	2-4.0	MULTIPLE CKT 3	28.9/33.4	0	37/42	40/45
	RXBH-24A30J-B	21.6/28.8	1/60	6-4.8	SINGLE	103.9/120	5.1	137/157	150/175
	"RXBH-1724A30J-B"	7.2/9.6	1/60	2-4.8	MULTIPLE CKT 1	34.7/40	5.1	50/57	50/60
		7.2/9.6	1/60	2-4.8	MULTIPLE CKT 2	34.7/40	0	44/50	45/50
		7.2/9.6	1/60	2-4.8	MULTIPLE CKT 3	34.7/40	0	44/50	45/50
	RXBH-17A05C-B	3.6/4.8	3/60	1-4.8	SINGLE	10/11.6	5.1	19/21	20/25
	RXBH-24A05C-B	3.6/4.8	3/60	1-4.8	SINGLE	10/11.6	5.1	19/21	20/25
	RXBH-1724B05C-B	3.6/4.8	3/60	1-4.8	SINGLE	10/11.6	5.1	19/21	20/25
	RXBH-1724A07C-B	5.4/7.2	3/60	2-3.6	SINGLE	15/17.4	5.1	26/29	30/30
	RXBH-1724A10C-B	7.2/9.6	3/60	2-4.8	SINGLE	20/23.1	5.1	32/36	35/40
	RXBH-1724A13C-B	9.4/12.5	3/60	3-4.17	SINGLE	26.1/30.1	5.1	39/44	40/45
	RXBH-1724A15C-B	10.8/14.4	3/60	3-4.8	SINGLE	30/34.7	5.1	44/50	45/50
	RXBH-1724A18C-B	12.8/17.0	3/60	3-5.68	SINGLE	35.6/40.9	5.1	51/58	60/60
	RXBH-24A20C-B	14.4/19.2	3/60	4-4.8	SINGLE	40/46.2	5.1	57/65	60/70
	RXBH-1724A20J-B	7.2/9.6	3/60	2-4.8	MULTIPLE CKT 1	20/23.1	5.1	32/36	35/40
		7.2/9.6	3/60	2-4.8	MULTIPLE CKT 2	20/23.1	0	25/29	25/30
	RXBH-24A25C-B	18.0/24.0	3/60	6-4.0	SINGLE	50/57.7	5.1	69/79	70/80
	RXBH-1724A20J-B	9.0/12.0	3/60	3-4.0	MULTIPLE CKT 1	25/28.9	5.1	38/43	40/45
		9.0/12.0	3/60	3-4.0	MULTIPLE CKT 2	25/28.9	0	32/37	35/40
	RXBH-24A30C-B	21.6/28.8	3/60	6-4.8	SINGLE	60/69.3	5.1	82/93	90/100
	RXBH-1724A20J-B	10.8/14.4	3/60	3-4.8	MULTIPLE CKT 1	30/34.7	5.1	44/50	45/50
		10.8/14.4	3/60	3-4.8	MULTIPLE CKT 2	30/34.7	0	38/44	40/45

? = A/B/C Heater Connection Types
A = Breaker
B = Terminal Block
C = Pullout Disconnect

Electrical Data – With Electric Heat RH2VZ (Con't.)

Installation of the U.L. Listed original equipment manufacturer provided heater kits listed in the table below is recommended for all auxiliary heating requirements.

Air Handler Model	Heater Model No.	Heater kW (208/240V)	PH/HZ	No. Elements kW Per	Circuit Type	Heater Circuit Amps	Tested Blower Motor Amps	Minimum Circuit Ampacity	Maximum Overcurrent Protection
RH2VZ6021STANAJ	RXBH-1724?03J-B	2.3/3.0	1/60	1-3.0	SINGLE	11.1/12.5	5.7	21/23	25/25
	RXBH-1724?05J-B	3.6/4.8	1/60	1-4.8	SINGLE	17.4/20	5.7	29/33	30/35
	RXBH-1724?07J-B	5.4/7.2	1/60	2-3.6	SINGLE	26/30	5.7	40/45	40/45
	RXBH-1724?10J-B	7.2/9.6	1/60	2-4.8	SINGLE	34.7/40	5.7	51/58	60/60
	RXBH-1724A13J-B	9.4/12.5	1/60	3-4.17	SINGLE	45.2/52.1	5.7	64/73	70/80
		3.1/4.2	1/60	1-4.17	MULTIPLE CKT 1	15/17.5	5.7	26/29	30/30
		6.3/8.3	1/60	2-4.17	MULTIPLE CKT 2	30.3/34.6	0	38/44	40/45
	RXBH-1724A15J-B	10.8/14.4	1/60	3-4.8	SINGLE	52/60	5.7	73/83	80/90
	RXBH-1724A15J-B	3.6/4.8	1/60	1-4.8	MULTIPLE CKT 1	17.4/20	5.7	29/33	30/35
		7.2/9.6	1/60	2-4.8	MULTIPLE CKT 2	34.7/40	0	44/50	45/50
	RXBH-1724A18J-B	12.8/17.0	1/60	3-5.68	SINGLE	61.6/70.9	5.7	85/96	90/100
	RXBJ-1724A18J-B	4.3/5.7	1/60	1-5.68	MULTIPLE CKT 1	20.7/23.8	5.7	33/37	35/40
		8.5/11.3	1/60	2-5.68	MULTIPLE CKT 2	40.9/47.1	0	52/59	60/60
	RXBH-24A20J-B	14.4/19.2	1/60	4-4.8	SINGLE	69.3/80	5.7	94/108	100/110
	RXBH-1724A20J-B	7.2/9.6	1/60	2-4.8	MULTIPLE CKT 1	34.7/40	5.7	51/58	60/60
		7.2/9.6	1/60	2-4.8	MULTIPLE CKT 2	34.7/40	0	44/50	45/50
	RXBH-24A25J-B	18.0/24.0	1/60	6-4.0	SINGLE	86.6/100	5.7	116/133	125/150
		6.0/8.0	1/60	2-4.0	MULTIPLE CKT 1	28.9/33.4	5.7	44/49	45/50
		6.0/8.0	1/60	2-4.0	MULTIPLE CKT 2	28.9/33.4	0	37/42	40/45
		6.0/8.0	1/60	2-4.0	MULTIPLE CKT 3	28.9/33.4	0	37/42	40/45
	RXBH-24A30J-B	21.6/28.8	1/60	6-4.8	SINGLE	103.9/120	5.7	137/158	150/175
	RXBH-1724A30J-B	7.2/9.6	1/60	2-4.8	MULTIPLE CKT 1	34.7/40	5.7	51/58	60/60
		7.2/9.6	1/60	2-4.8	MULTIPLE CKT 2	34.7/40	0	44/50	45/50
		7.2/9.6	1/60	2-4.8	MULTIPLE CKT 3	34.7/40	0	44/50	45/50
	RXBH-17A05C-B	3.6/4.8	3/60	1-4.8	SINGLE	10/11.6	5.7	20/22	20/25
	RXBH-24A05C-B	3.6/4.8	3/60	1-4.8	SINGLE	10/11.6	5.7	20/22	20/25
	RXBH-1724B05C-B	3.6/4.8	3/60	1-4.8	SINGLE	10/11.6	5.7	20/22	20/25
	RXBH-1724A07C-B	5.4/7.2	3/60	2-3.6	SINGLE	15/17.4	5.7	26/29	30/30
	RXBH-1724A10C-B	7.2/9.6	3/60	2-4.8	SINGLE	20/23.1	5.7	33/36	35/40
	RXBH-1724A13C-B	9.4/12.5	3/60	3-4.17	SINGLE	26.1/30.1	5.7	40/45	40/45
	RXBH-1724A15C-B	10.8/14.4	3/60	3-4.8	SINGLE	30/34.7	5.7	45/51	45/60
	RXBH-1724A18C-B	12.8/17.0	3/60	3-5.68	SINGLE	35.6/40.9	5.7	52/59	60/60
	RXBH-24A20C-B	14.4/19.2	3/60	4-4.8	SINGLE	40/46.2	5.7	58/65	60/70
	RXBH-1724A20J-B	7.2/9.6	3/60	2-4.8	MULTIPLE CKT 1	20/23.1	5.7	33/36	35/40
		7.2/9.6	3/60	2-4.8	MULTIPLE CKT 2	20/23.1	0	25/29	25/30
	RXBH-24A25C-B	18.0/24.0	3/60	6-4.0	SINGLE	50/57.7	5.7	70/80	70/80
	RXBH-1724A20J-B	9.0/12.0	3/60	3-4.0	MULTIPLE CKT 1	25/28.9	5.7	39/44	40/45
		9.0/12.0	3/60	3-4.0	MULTIPLE CKT 2	25/28.9	0	32/37	35/40
	RXBH-24A30C-B	21.6/28.8	3/60	6-4.8	SINGLE	60/69.3	5.7	83/94	90/100
	RXBH-1724A20J-B	10.8/14.4	3/60	3-4.8	MULTIPLE CKT 1	30/34.7	5.7	45/51	45/60
		10.8/14.4	3/60	3-4.8	MULTIPLE CKT 2	30/34.7	0	38/44	40/45

? = A/B/C Heater Connection Types

A = Breaker

B = Terminal Block

C = Pullout Disconnect

Electrical Data – With Electric Heat RH2VZ (Con't.)

Installation of the U.L. Listed original equipment manufacturer provided heater kits listed in the table below is recommended for all auxiliary heating requirements.

Air Handler Model	Heater Model No.	Heater kW (208/240V)	PH/HZ	No. Elements kW Per	Circuit Type	Heater Circuit Amps	Tested Blower Motor Amps	Minimum Circuit Ampacity	Maximum Overcurrent Protection
RH2VZ6024STANNJ	RXBH-1724?03J-B	2.3/3.0	1/60	1-3.0	SINGLE	11.1/12.5	5.2	21/23	25/25
	RXBH-1724?05J-B	3.6/4.8	1/60	1-4.8	SINGLE	17.4/20	5.2	29/32	30/35
	RXBH-1724?07J-B	5.4/7.2	1/60	2-3.6	SINGLE	26/30	5.2	39/44	40/45
	RXBH-1724?10J-B	7.2/9.6	1/60	2-4.8	SINGLE	34.7/40	5.2	50/57	50/60
	RXBH-1724A13J-B	9.4/12.5	1/60	3-4.17	SINGLE	45.2/52.1	5.2	63/72	70/80
	RXBH-1724A13J-B	3.1/4.2	1/60	1-4.17	MULTIPLE CKT 1	15/17.5	5.2	26/29	30/30
		6.3/8.3	1/60	2-4.17	MULTIPLE CKT 2	30.3/34.6	0	38/44	40/45
	RXBH-1724A15J-B	10.8/14.4	1/60	3-4.8	SINGLE	52/60	5.2	72/82	80/90
	RXBH-1724A15J-B	3.6/4.8	1/60	1-4.8	MULTIPLE CKT 1	17.4/20	5.2	29/32	30/35
		7.2/9.6	1/60	2-4.8	MULTIPLE CKT 2	34.7/40	0	44/50	45/50
	RXBH-1724A18J-B	12.8/17.0	1/60	3-5.68	SINGLE	61.6/70.9	5.2	84/96	90/100
	RXBJ-1724A18J-B	4.3/5.7	1/60	1-5.68	MULTIPLE CKT 1	20.7/23.8	5.2	33/37	35/40
		8.5/11.3	1/60	2-5.68	MULTIPLE CKT 2	40.9/47.1	0	52/59	60/60
	RXBH-24A20J-B	14.4/19.2	1/60	4-4.8	SINGLE	69.3/80	5.2	94/107	100/110
	RXBH-1724A20J-B	7.2/9.6	1/60	2-4.8	MULTIPLE CKT 1	34.7/40	5.2	50/57	50/60
		7.2/9.6	1/60	2-4.8	MULTIPLE CKT 2	34.7/40	0	44/50	45/50
	RXBH-24A25J-B	18.0/24.0	1/60	6-4.0	SINGLE	86.6/100	5.2	115/132	125/150
		6.0/8.0	1/60	2-4.0	MULTIPLE CKT 1	28.9/33.4	5.2	43/49	45/50
		6.0/8.0	1/60	2-4.0	MULTIPLE CKT 2	28.9/33.4	0	37/42	40/45
		6.0/8.0	1/60	2-4.0	MULTIPLE CKT 3	28.9/33.4	0	37/42	40/45
	RXBH-24A30J-B	21.6/28.8	1/60	6-4.8	SINGLE	103.9/120	5.2	137/157	150/175
	RXBH-1724A30J-B	7.2/9.6	1/60	2-4.8	MULTIPLE CKT 1	34.7/40	5.2	50/57	50/60
		7.2/9.6	1/60	2-4.8	MULTIPLE CKT 2	34.7/40	0	44/50	45/50
		7.2/9.6	1/60	2-4.8	MULTIPLE CKT 3	34.7/40	0	44/50	45/50
	RXBH-17A05C-B	3.6/4.8	3/60	1-4.8	SINGLE	10/11.6	5.2	19/21	20/25
	RXBH-24A05C-B	3.6/4.8	3/60	1-4.8	SINGLE	10/11.6	5.2	19/21	20/25
	RXBH-1724B05C-B	3.6/4.8	3/60	1-4.8	SINGLE	10/11.6	5.2	19/21	20/25
	RXBH-1724A07C-B	5.4/7.2	3/60	2-3.6	SINGLE	15/17.4	5.2	26/29	30/30
	RXBH-1724A10C-B	7.2/9.6	3/60	2-4.8	SINGLE	20/23.1	5.2	32/36	35/40
	RXBH-1724A13C-B	9.4/12.5	3/60	3-4.17	SINGLE	26.1/30.1	5.2	40/45	40/45
	RXBH-1724A15C-B	10.8/14.4	3/60	3-4.8	SINGLE	30/34.7	5.2	44/50	45/50
	RXBH-1724A18C-B	12.8/17.0	3/60	3-5.68	SINGLE	35.6/40.9	5.2	51/58	60/60
	RXBH-24A20C-B	14.4/19.2	3/60	4-4.8	SINGLE	40/46.2	5.2	57/65	60/70
	RXBH-1724A20J-B	7.2/9.6	3/60	2-4.8	MULTIPLE CKT 1	20/23.1	5.2	32/36	35/40
		7.2/9.6	3/60	2-4.8	MULTIPLE CKT 2	20/23.1	0	25/29	25/30
	RXBH-24A25C-B	18.0/24.0	3/60	6-4.0	SINGLE	50/57.7	5.2	69/79	70/80
	RXBH-1724A20J-B	9.0/12.0	3/60	3-4.0	MULTIPLE CKT 1	25/28.9	5.2	38/43	40/45
		9.0/12.0	3/60	3-4.0	MULTIPLE CKT 2	25/28.9	0	32/37	35/40
	RXBH-24A30C-B	21.6/28.8	3/60	6-4.8	SINGLE	60/69.3	5.2	82/94	90/100
	RXBH-1724A20J-B	10.8/14.4	3/60	3-4.8	MULTIPLE CKT 1	30/34.7	5.2	44/50	45/50
10.8/14.4		3/60	3-4.8	MULTIPLE CKT 2	30/34.7	0	38/44	40/45	

? = A/B/C Heater Connection Types
A = Breaker
B = Terminal Block
C = Pullout Disconnect

Electrical Wiring

Power Wiring

- Field wiring must comply with the National Electrical Code (C.E.C. in Canada) and any applicable local ordinance.
- Supply wiring must be 75°C minimum copper conductors only.
- See electrical data for product Ampacity rating and Circuit Protector requirement.

Accessories

• Combustible Floor Base RXHB-

Model Cabinet Size	Combustible Floor Base Model Number
17	RXHB-17
21	RXHB-21
24	RXHB-24

- **Jumper Bar Kit 3 Ckt. to 1 Ckt. RXBJ-A31** is used to convert single phase multiple three circuit units to a single supply circuit. Kit includes cover and screw for line side terminals.
- **Jumper Bar Kit 2 Ckt. to 1 Ckt. RXBJ-A21** is used to convert single phase multiple two circuit units to a single supply circuit. Kit includes cover and screw for line side terminals.
- **Note:** No jumper bar kit is available to convert three phase multiple two circuit units to a single supply circuit.
- **Auxiliary Horizontal Overflow Pan Accessory RXBM-**

Nominal Cooling Capacity-Tons	Auxiliary Horizontal Overflow Pan Accessory Model Number
1 1/2 - 3	RXBM-AC48
3 1/2 - 5	RXBM-AC61

Grounding

- This product must be sufficiently grounded in accordance with National Electrical Code (C.E.C. in Canada) and any applicable local ordinance.
- A grounding lug is provided.

• Auxiliary Electric Heater Kits RXBH-

Heater Kits include circuit breakers which meet UL and cUL requirements for service disconnect. See the Electric Heat Electrical Data in this specification sheet for specific Heater Kit Model numbers.

• Horizontal Adapter Kit RXHH-

This horizontal adapter kit is used to convert Upflow/Downflow only models to horizontal flow. See the following table to order proper horizontal adapter kit.

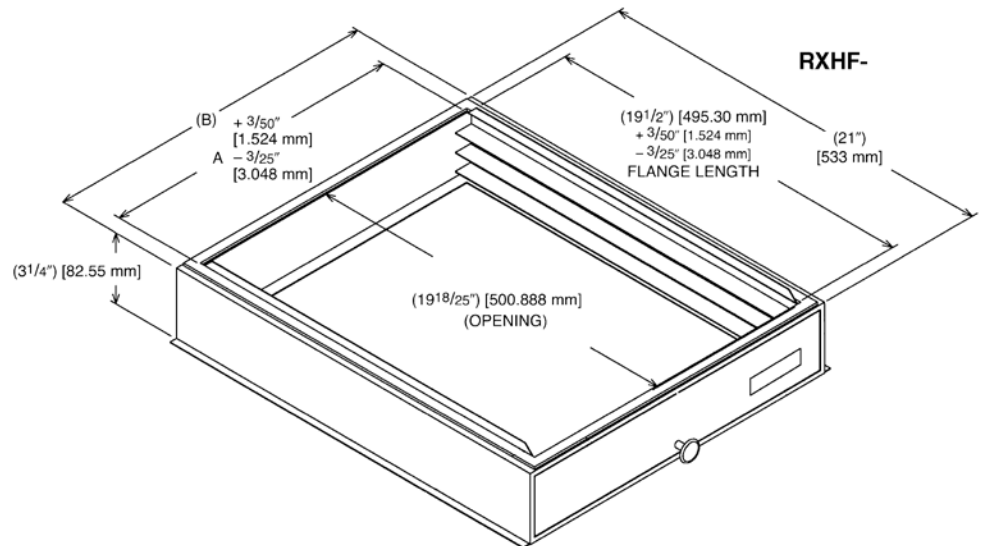
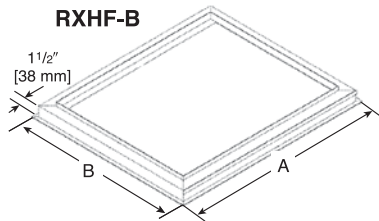
Coil Model	Horizontal Adapter Kit Model Number (Single Qty.)	Horizontal Adapter Kit Model Number (10-Pack Qty.)
2414	RXHH-A01	RXHH-A01 x 10
2417	RXHH-A02	RXHH-A02 x 10
3617/3621	RXHH-A03	RXHH-A03 x 10
3821/4821/4824	RXHH-A04	RXHH-A04 x 10
3621HT/4821MT/6021ST	RXHH-06	RXHH-06 x 10
6024	RXHH-A05	RXHH-A05 x 10

• External Filter Base RXHF-

Model Cabinet Size	Filter Size In. [mm]	Part Number*	A	B
17	16 x 20 [406 x 508]	RXHF-17	15.70	17.5
21	20 x 20 [508 x 508]	RXHF-21	19.20	21.0
24	25 x 20 [635 x 508]	RXHF-24	22.70	25.5

*Accommodates 1" or 2" filter

[] Designates Metric Conversions





GENERAL TERMS OF LIMITED WARRANTY*

Ruud will furnish a replacement for any part of this product which fails in normal use and service within the applicable periods stated, in accordance with the terms of the limited warranty.

Conditional Parts
(Registration Required)..... Ten (10) Years

***For complete details of the Limited and Conditional Warranties, including applicable terms and conditions, contact your local contractor or the Manufacturer for a copy of the product warranty certificate.**

Before proceeding with installation, refer to installation instructions packaged with each model, as well as complying with all Federal, State, Provincial, and Local codes, regulations, and practices.

© 2023 Rheem Manufacturing Company. Ruud trademarks owned by Rheem Manufacturing Company.

In keeping with its policy of continuous progress and product improvement, Ruud reserves the right to make changes without notice.

Ruud Heating, Cooling & Water Heating • 5600 Old Greenwood Road
Fort Smith, Arkansas 72908 • www.ruud.com

Ruud Canada Ltd./Ltée • 125 Edgeware Road, Unit 1
Brampton, Ontario • L6Y 0P5 • ruud-canada.ca