

Protech No.	Vendor	Vendor No.	"A"	"B"	"C"	"D"	"E"	"F"	"G"
			IN.	IN.	IN.	IN.	IN.	IN.	IN.
84-25052-08	Trion	455600-004C	$24\frac{1}{4}$	$17\frac{7}{8}$	$20\frac{29}{32}$	$22\frac{1}{2}$	$24\frac{7}{8}$	$7\frac{1}{8}$	$21\frac{7}{16}$

-TRION MODEL HE2000 WITH AFS (AIR FLOW SENSOR)  
 -EQUIVALENT TO TRION 455600-001C

STANDARD TOLERANCE  
 -FRACTIONAL  $\pm 1/32$   
 -ANGULAR  $+1^\circ -3^\circ$   
 -DECIMAL  $\pm 0.030$

**PROSTOCK**

MODELED BY: **E. Didion**  
 DATE: **01/13/04**

ORIGINAL  
 RELEASE NO. **N-00126**

NOTE: ALL BREAKS ARE 90°  
 UNLESS OTHERWISE SPECIFIED.

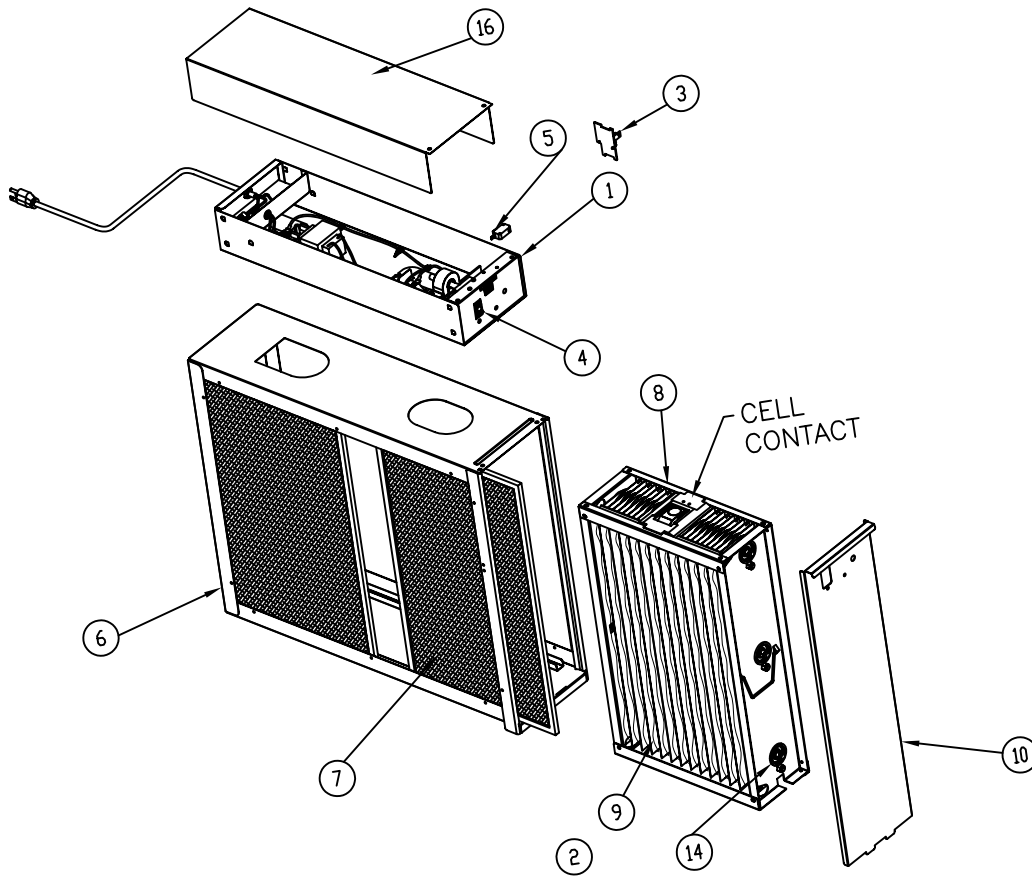
MATERIAL



RHEEM MFG  
 PARTS  
 DEPARTMENT

**Electronic Air Cleaner**

PART NO. SHEET 1 OF 2 REV  
**84-25052-08 00**



Ref. No.	Description		84-25052-08
1	Power Tray Assembly 120/50-60/1	Protech No. Trion No.	45-25053-47 455578-001
2	High Frequency Power Supply	Protech No. Trion No.	45-25053-49 348818-001
3	Electronic Air Flow Sensor	Protech No. Trion No.	47-25053-46 248090-001
4	On/Off Switch	Protech No. Trion No.	42-25053-12 138586-001
5	Interlock Switch	Protech No. Trion No.	42-25053-50 242404-001
6	Cabinet Assembly	Protech No. Trion No.	89-25053-66 355586-105
7	Pre-Filter (2 req.)	Protech No. Trion No.	54-25053-21 123324-004
8	Cell, Ionizing-Collecting (2 Req.)	Protech No. Trion No.	52-25053-59 441730-101
9	Ionizing Wire Assembly	Protech No. Trion No.	89-25053-60 220112-029 (13 req.)
10	Front Panel Assembly	Protech No. Trion No.	89-25053-69 355588-005
11	Contact board Assembly (2 Req.)	Protech No. Trion No.	45-25053-35 345109-001
12	Charcoal Filter (optional, not shown)	Protech No. Trion No.	54-25053-37 227833-004
13	Step-Down Transformer 120V to 24VAC	Protech No. Trion No.	46-25053-55 239071-008
13a	Step-down Transformer 120V 24VAC	Protech No. Trion No.	46-25053-71 239071-011
14	Insulator (6 req. per cell)	Protech No. Trion No.	45-25053-43 246287-001
15	Cell Key ( not Shown) (1 req.)	Protech No. Trion No.	45-25053-44 143839-001
16	Power Tray Cover	Protech No. Trion No.	89-25053-72 255575-002

STANDARD TOLERANCE  
 -FRACTIONAL ± 1/32  
 -ANGULAR +1° -3°  
 -DECIMAL ±0.030

**PROSTOCK**

MODELED BY: **E. Didion**  
 DATE: **12/04/03**

ORIGINAL RELEASE NO. **N-00126**

NOTE: ALL BREAKS ARE 90°  
 UNLESS OTHERWISE SPECIFIED.

MATERIAL



RHEEM MFG  
 PARTS  
 DEPARTMENT

**Electronic Air Cleaner**

PART NO. SHEET 2 OF 2 REV  
**84-25052-08 00**