

INDOOR COILS

RCFM- featuring
New Industry Standard
R-410A Refrigerant **R-410A**



CASED/UNCASED COILS FOR GAS AND OIL FURNACES

AIRFLOW CAPACITIES
600-1,900 CFM
[283-897 L/s]

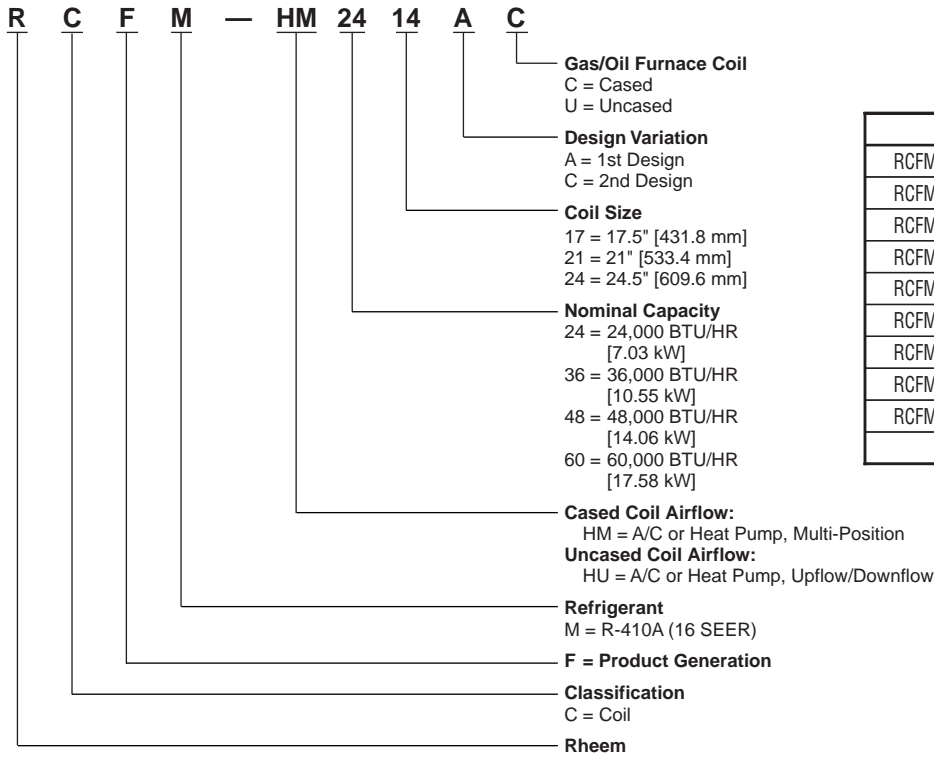


Rheem® Indoor Coils are designed for use with Rheem outdoor units and are available for vertical upflow or downflow, and horizontal left or horizontal right airflow. When matched with Rheem outdoor units, the coils provide a nominal capacity range from 24,000 BTU/HR [7.03 kW] to 60,000 BTU/HR [17.58 kW].

- Constructed of aluminum fins bonded to internally grooved copper tubing.
- Coils are tested at the factory with an extensive refrigerant leak check.
- Coils have sweat refrigerant connections.
- Ideally suited for new installations or add on air conditioning.
- Feature two sets of 3/4" [14.1 mm] N.P.T. Condensate drain connections for ease of connection.
- Coils are A.R.I. certified for system application with variety of Rheem outdoor units.
- Condensate drain pan is constructed of high grade, heat resistant, corrosion free thermal-set material.
- Compatible with Germicidal Light System (UV resistant)
- Bi-Directional airflow eliminates the need to switch any internal components from horizontal left to right.
- Unique drain pan design maximizes application flexibility and condensate removal.



MODEL NUMBER DATA



Available Models of RCFM Coils		
RCFM-HM2417AC	RCFM-HU2417AU	RCFM-HM2417CC
RCFM-HM2421AC	RCFM-HU2421AU	RCFM-HU2417CU
RCFM-HM3617AC	RCFM-HU3617AU	RCFM-HM2421CC
RCFM-HM3617CC	RCFM-HU3617CU	RCFM-HU2421CU
RCFM-HM3621AC	RCFM-HU3621AU	RCFM-HM4821CC
RCFM-HM3621CC	RCFM-HU3621CU	RCFM-HU4821CU
RCFM-HM4821AC	RCFM-HU4821AU	RCFM-HM4824CC
RCFM-HM4824AC	RCFM-HU4824AU	RCFM-HU4824CU
RCFM-HM6024AC	RCFM-HU6024AU	RCFM-HM6024CC
		RCFM-HM6024CU

Table 1: Coil Specifications/Airflow Pressure Drop

Coil Model Number	Approx. Design Air Flow CFM [L/s] Range	Face Area Sq. Ft. [m ²]	Fins-in. Rows Deep	Static Pressure Drop Through Wet Cooling Coil [kPa] (Inches W.C.) CFM [L/s]													
				600 [283]	700 [330]	800 [378]	900 [425]	1000 [472]	1100 [519]	1200 [566]	1300 [614]	1400 [661]	1500 [708]	1600 [756]	1700 [802]	1800 [850]	1900 [897]
HIGH EFFICIENCY COOLING COILS																	
2417	600/800 [283/376]	5.70 [0.53]	16/2	.07 [.017]	.12 [.029]	.17 [.042]	.21 [.052]										
2421	600/800 [283/376]	5.70 [0.53]	16/2	.05 [.014]	.10 [.025]	.15 [.037]	.18 [.045]										
3617	900/1200 [424/566]	5.70 [0.53]	16/2			.17 [.042]	.21 [.052]	.26 [.065]	.31 [.077]	.36 [.09]	.41 [.102]						
3621	900/1200 [424/566]	5.70 [0.53]	16/2			.15 [.037]	.18 [.045]	.23 [.057]	.27 [.067]	.31 [.077]	.37 [.092]						
4821	1200/1600 [566/755]	8.55 [0.79]	16/2							.22 [.055]	.25 [.062]	.28 [.07]	.32 [.08]	.36 [.09]	.41 [.102]		
4824	1200/1600 [566/755]	8.55 [0.79]	16/2							.22 [.055]	.25 [.062]	.28 [.07]	.32 [.08]	.36 [.09]	.41 [.102]		
6024	1300/1700 [614/802]	9.98 [0.93]	14/3								.17 [.042]	.20 [.05]	.24 [.058]	.27 [.067]	.30 [.075]	.34 [.085]	.37 [.092]

NOTE: Represents Coil-Only Airflow Ratings

[] Designates Metric Conversions

Table 2: Coil Dimensions and Weights

Coil Model Number	Connections		Cased Coil Dimensions (in) [mm]			Weight	
	Sweat (in.) [mm]		A	B	C	Coil Weight (lbs.) [Kg.]	Shipping Weight (lbs.) [Kg.]
	Liquid I.D.	Suction I.D.					
2417	3/8 [9.53]	3/4 [19.05]	17 1/2 [445]	17 7/8 [454]	20 [508]	52 [24]	57 [26]
2421	3/8 [9.53]	3/4 [19.05]	21 [533]	17 1/2 [445]	20 [508]	52 [24]	60 [27]
3617	3/8 [9.53]	3/4 [19.05]	17 1/2 [445]	17 1/2 [445]	20 [508]	52 [24]	57 [26]
3621	3/8 [9.53]	3/4 [19.05]	21 [533]	17 1/2 [445]	20 [508]	54 [24]	60 [27]
4821	3/8 [9.53]	7/8 [22.23]	21 [533]	25 7/8 [657]	28 [711]	76 [34]	83 [38]
4824	3/8 [9.53]	7/8 [22.23]	24 1/2 [622]	25 3/8 [645]	32 [812]	89 [40]	99 [45]
6024	3/8 [9.53]	7/8 [22.23]	24 1/2 [622]	30 1/4 [768]	32 [812]	108 [49]	118 [54]

FIGURE 1: DIMENSIONS

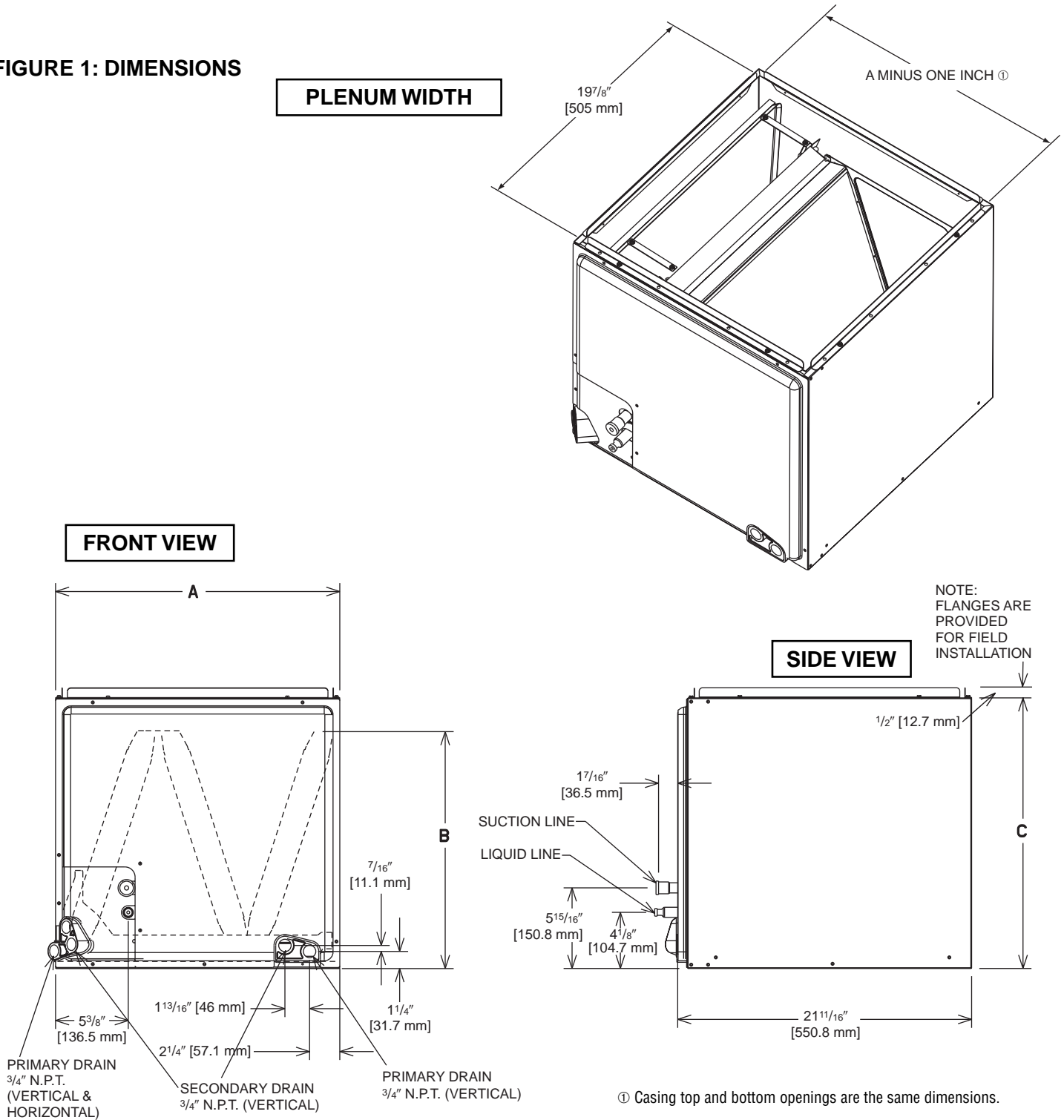


Table 3: Coil Application

Coils can be matched to heating products as listed in table below.

Coil Model	Furnace Width (In.) (mm)	
	Oil*	Gas
2417 3617	—	14 [356]
2417 3617	21 [533]	17½ [444] 14 [356]
2421 3621 4821	21 [533]	21 [533] 17½ [444]
4824 6024	24½ [622]	24½ [622] 21 [533]

*Note: Due to the proximity of the drain pan to the high temperature oil furnace drum, **horizontal left** application is **NOT** permitted on all oil furnaces.

Accessories

• PLENUM ADAPTER ACCESSORY RXBA-AE

This plenum adapter accessory is for use with the 24½" wide cased indoor cooling and heat pump coils. This allows a 24½" wide cased coil to be installed on a 28" wide oil furnace. This is a field-installed accessory only.

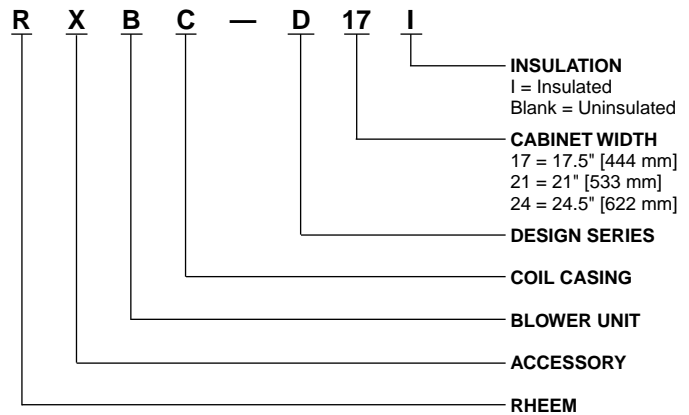
• RXBA-AC (Upflow/Horizontal)

These plenum adapter accessories are for use when a cooling coil is matched with a gas furnace of one smaller size.

• HORIZONTAL ADAPTER KIT RXHH (See Figure 2)

This horizontal adapter kit is used to convert a upflow or downflow coil for a horizontal application. See Table 4 to order the proper horizontal adapter kit.

• INDOOR COIL CASING- RXBC (See Table 5)



[] Designates Metric Conversions

Accessories (con't.)

Table 4: Horizontal Adapter Kit Model No.

Coil Model	Horizontal Adapter Kit Model No.
2417/3617/3621	RXHH-A03
4821/4824	RXHH-A04
6024	RXHH-A05

FIGURE 2: HORIZONTAL ADAPTER KIT ILLUSTRATION

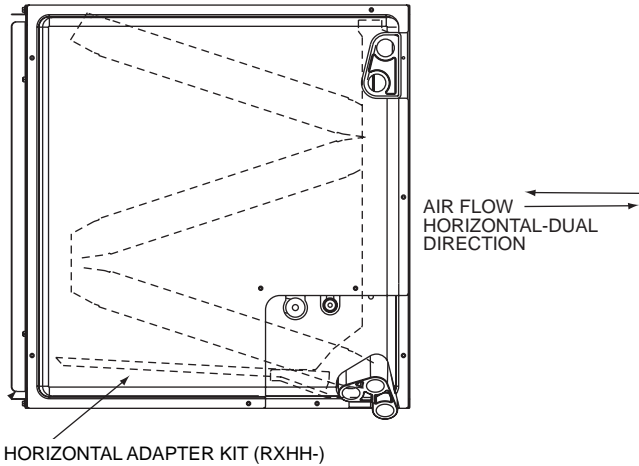


Table 5: Unit Dimensions and Weights- RXBC Indoor Coil Casings

Model Number	Width (in.) [mm]	Height (in.) [mm]	Depth (in.) [mm]	Unit Weight		Supply Air/Return Air Openings	
				Weight (lbs.) [Kg.]	Ship. Wt. (lbs.) [Kg.]	Width (in.) [mm]	Depth (in.) [mm]
RXBC-D17AI	17½ [445]	20 [508]	21 ⁵ / ₈ [549]	18 [8]	23 [10]	16½ [419]	19 ³¹ / ₃₂ [508]
RXBC-D21AI	21 [533]	20 [508]		20 [9]	26 [12]	20 [508]	
RXBC-D21BI	21 [533]	28 [711]		27 [12]	36 [17]	20 [508]	
RXBC-D24AI	24½ [622]	32½ [826]		34 [16]	44 [20]	23½ [597]	

• TXV REPLACEMENT KITS – RXCT

R-410A		
Coil Model	TXV Kit	Obsolete Kit Part No.
RC*M-H*24*	RXCT-FBA	611020
RC*M-H*36*	RXCT-FBB	611021
RC*M-H*48*	RXCT-FBD	611023
RC*M-H*60*	RXCT-FBE	None

NOTE: Valve can be R-22 or R-410A if date code is M2308 or later.

• TXV CONVERSION KITS – RXCT

R-22 to R-410A		
Coil Model	TXV Kit	Makes Coil
RC*A-H*36*	RXCT-FBA	RC*M-H*24*
RC*A-H*36*	RXCT-FBB	RC*M-H*36*
RC*A-H*48*	RXCT-FBD	RC*M-H*48*
RC*A-H*60*	RXCT-FBE	RC*M-H*60*

R-410A to R-22		
Coil Model	TXV Kit	Makes Coil
RC*M-H*24*	RXCT-EBB	RC*A-H*36*
RC*M-H*36*	RXCT-EBB	RC*A-H*36*
RC*M-H*48*	RXCT-EBC	RC*A-H*48*
RC*M-H*60*	RXCT-EBD	RC*A-H*60*

NOTE: Valve can be R-22 or R-410A if date code is M2308 or later.

[] Designates Metric Conversions

Accessories (con't.)

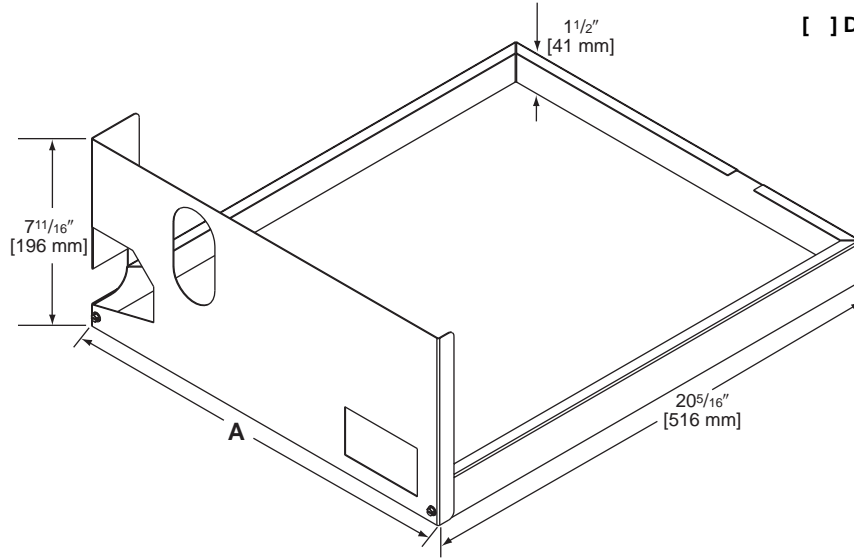
• UNCASSED COIL ADAPTER KIT RXBA- (See Figure 3 & 4)

This uncased coil adapter kit is used to adapt the coil to a furnace or ductwork. See Table 6 to order the proper adapter kit. Each kit contains a quantity of 20 adapters.

Table 6: Uncased Coil Adapter Kit

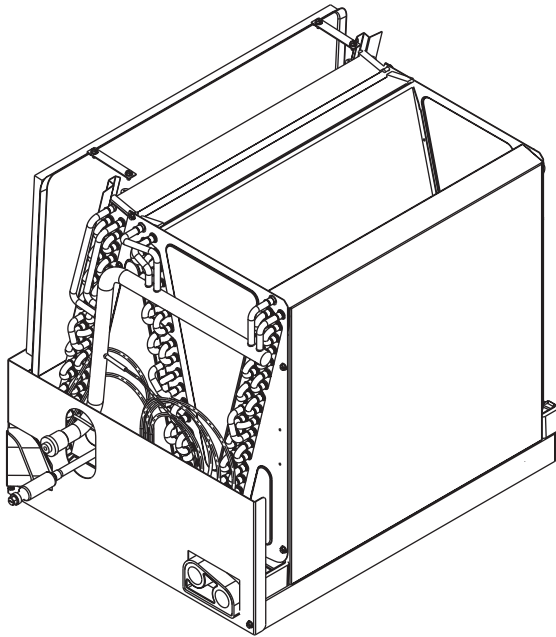
Uncased Coil Adapter Model Number RXBA	A Width (in.) [mm]	Uncased Coil Model RCFA/L
B14x20	13 ¹ / ₈ [333]	-HUxx14
B17x20	16 ⁵ / ₈ [422]	-HUxx17
B21x20	20 ¹ / ₈ [511]	-HUxx21
B24x20	23 ⁵ / ₈ [599]	-HUxx24

FIGURE 3: UNCASSED COIL ADAPTER KIT ILLUSTRATION



[] Designates Metric Conversions

FIGURE 4: UNCASSED COIL ADAPTER KIT ASSEMBLED



Note: Sliding the coil into the coil rail before attaching coil rack front.

NOTES

Before proceeding with installation, refer to installation instructions packaged with each model, as well as complying with all Federal, State, Provincial, and Local codes, regulations, and practices.

**Rheem Heating,
Cooling and
Water Heating**

P.O. Box 17010, Fort Smith, AR 72917



"In keeping with its policy of continuous progress and product improvement, Rheem reserves the right to make changes without notice."