



Featuring  
Industry Standard  
R-410A Refrigerant

**R-410A**



## 13PJL SERIES

## 13 SEER HEAT PUMPS

### Features

- Coils constructed with copper tubing and enhanced aluminum fins.
- Includes factory installed low pressure control.
- Strong, attractive cabinet—louvered design protects the coil from damage.
- Expansion Valves with Internal Check Valve—Provides for quieter refrigerant metering.
- Demand Defrost Control
- Non-Cycling Reversing Valve
- Hot Gas Muffler
- Service Valves
- Grille/motor mount for quiet fan operation.
- Easily accessible control box.
- Bi-Directional Filter Drier (shipped – not installed)
- Certified and rated under AHRI Standard 240.
- U.L listed.

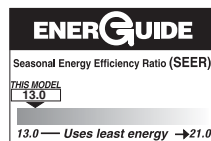
### Accessories/Options

- Heat Pump Thermostat Warning Light Kit (Model No. RXPX-D01)
- Low Ambient Control (Model No. RXAD-A08)
- Outdoor Thermostats (Model No. RXPT-A01, A02, A03 or A04)
- Heat Pump Monitor (Model No. RXPM-B01)
- Thermostats and Subbases  
(Available through the PROSTOCK® department)
- Compressor Time Delay Control (Model No. RXMD-B01)
- Blower Time Delay Control (Model No. RXMD-C04)  
RXMD-C04 is not required if the outdoor unit is matched with a Rheem Value Series furnace or air handler, or if the furnace or air handler used has a blower off time delay built-in.
- Sound Enclosure\*
- High Pressure Control (Model No. RXAB-A07)
- Start Components\*

\*Available through the PROSTOCK® department.

### Applications

Rheem Value Series remote heat pumps offer comfort and dependability for single, multi-family and light commercial applications.





# Performance Data AHRI Standard Conditions (cont.)

Note: Only these combinations of indoor/outdoor units are approved and any other combinations should not be used.

Model Numbers		AHRI Cooling Performance							AHRI Heating Performance (70°F [21°C] Indoor)				
		80°F [26.5°C] DB/67°F [19.5°C] WB Indoor Air 95°F [35°C] DB Outdoor Air							Outdoor Air 47°F [8.5°C] DB/ 43°F [6°C] WB DOE High Temp.		Outdoor Air 17°F [-8.5°C] DB/ 15°F [-9.5°C] WB DOE Low Temp.		DOE Region IV HSPF
Outdoor Unit 13PJL	Indoor Coil and/or Air Handler	Total Capacity BTU/H [kW]	Net Sens. BTU/H [kW]	Net Latent BTU/H [kW]	EER	SEER	Snd. Rate dB	Indoor CFM [L/s]	BTU/H [kW]	COP	BTU/H [kW]	COP	
Rev. 6/30/10          18	RCFL-H*2417 (RGPR-05?BMK?)	18,500 [5.4]	13,350 [3.9]	5,150 [1.5]	12.00	14.00	76	600 [283]	16,600 [4.9]	3.58	8,400 [2.5]	2.20	8.00
	RCFL-H*2417 (RGPR-07?AMK?)	18,600 [5.4]	13,450 [3.9]	5,150 [1.5]	12.00	14.00	76	600 [283]	16,500 [4.8]	3.64	8,300 [2.4]	2.22	8.20
	RCFL-H*2417 (RGPT-05?BMK?)	19,500 [5.7]	13,950 [4.1]	5,550 [1.6]	11.50	14.00	76	650 [307]	17,600 [5.2]	3.60	10,900 [3.2]	2.36	8.20
	RCFL-H*2417 (RGPT-07?AME?)	19,300 [5.7]	13,650 [4.0]	5,650 [1.7]	11.50	14.00	76	625 [295]	17,500 [5.1]	3.62	10,800 [3.2]	2.36	8.20
	RCFL-H*2417 (RGRM-06?MAE?)	18,600 [5.4]	13,450 [3.9]	5,150 [1.5]	12.00	14.00	76	600 [283]	16,500 [4.8]	3.62	8,300 [2.4]	2.22	8.20
	RCFL-H*2417 (RGRM-07?MAE?)	18,500 [5.4]	13,400 [3.9]	5,100 [1.5]	11.50	13.50	76	625 [295]	16,600 [4.9]	3.56	8,400 [2.5]	2.18	7.70
	ROCA-070E03 (RCFL-H*2417)	19,300 [5.7]	13,650 [4.0]	5,650 [1.7]	12.00	14.50	76	600 [283]	17,500 [5.1]	3.64	10,800 [3.2]	2.38	8.20
	ROLA-070E03 (RCFL-H*2417)	19,200 [5.6]	13,550 [4.0]	5,650 [1.7]	11.50	14.00	76	600 [283]	17,500 [5.1]	3.60	10,800 [3.2]	2.36	8.20
	RBHP-17 (RCHL-24A2)	17,800 [5.2]	12,900 [3.8]	4,900 [1.4]	12.00	14.00	76	600 [283]	16,500 [4.8]	3.64	9,100 [2.7]	2.44	8.20
	RHLL-HM2417 (RCSL-H*2417)	18,900 [5.5]	13,750 [4.0]	5,150 [1.5]	12.00	14.00	76	615 [290]	16,500 [4.8]	3.62	8,300 [2.4]	2.22	8.20
24	RHSL-HM2417 (RCSL-H*2417) ①	24,200 [7.1]	17,050 [5.0]	7,150 [2.1]	10.90	13.00	74	800 [378]	22,800 [6.7]	3.50	13,600 [4.0]	2.24	7.70
	RHAL-FR24P	24,000 [7.0]	18,650 [5.5]	5,350 [1.6]	11.00	13.00	74	800 [378]	22,200 [6.5]	3.50	13,400 [3.9]	2.12	7.70
	RHBL-FR24T	24,600 [7.2]	19,850 [5.8]	4,750 [1.4]	11.50	14.00	74	850 [401]	22,000 [6.4]	3.68	13,500 [4.0]	2.36	8.20
	RCFL-H*2414	24,400 [7.1]	17,250 [5.1]	7,150 [2.1]	10.75	13.00	74	800 [378]	22,800 [6.7]	3.44	13,800 [4.0]	2.22	7.70
	RCFL-H*2417	24,400 [7.1]	17,250 [5.1]	7,150 [2.1]	10.75	13.00	74	800 [378]	22,800 [6.7]	3.44	13,800 [4.0]	2.22	7.70
	RCFL-H*2417 (RGFD-06?MCK?)	24,400 [7.1]	17,350 [5.1]	7,050 [2.1]	11.40	13.50	74	800 [378]	22,800 [6.7]	3.66	14,300 [4.2]	2.46	8.20
	RCFL-H*2417 (RGFD-07?MCK?)	24,400 [7.1]	17,350 [5.1]	7,050 [2.1]	11.45	13.50	74	800 [378]	22,800 [6.7]	3.68	14,200 [4.2]	2.48	8.20
	RCFL-H*2417 (RGFE-06?MCK?)	24,600 [7.2]	17,350 [5.1]	7,250 [2.1]	11.60	13.50	74	800 [378]	22,400 [6.6]	3.66	13,200 [3.9]	2.32	8.20
	RCFL-H*2417 (RGFE-07?MCK?)	24,600 [7.2]	17,350 [5.1]	7,250 [2.1]	11.55	13.50	74	825 [389]	22,400 [6.6]	3.64	13,200 [3.9]	2.32	8.20
	RCFL-H*2417 (RGGD-06?MCK?)	24,600 [7.2]	17,500 [5.1]	7,100 [2.1]	11.65	13.50	74	800 [378]	22,800 [6.7]	3.72	14,100 [4.1]	2.50	8.20
	RCFL-H*2417 (RGGD-07?MCK?)	24,600 [7.2]	17,500 [5.1]	7,100 [2.1]	11.55	13.50	74	800 [378]	22,800 [6.7]	3.70	14,200 [4.2]	2.48	8.20
	RCFL-H*2417 (RGGE-06?MCK?)	24,600 [7.2]	17,350 [5.1]	7,250 [2.1]	11.75	14.00	74	825 [389]	22,400 [6.6]	3.68	13,100 [3.8]	2.34	8.20
	RCFL-H*2417 (RGGE-07?MCK?)	24,600 [7.2]	17,350 [5.1]	7,250 [2.1]	11.65	14.00	74	800 [378]	22,400 [6.6]	3.66	13,200 [3.9]	2.32	8.20
	RCFL-H*2417 (RGJD-06?MCK?)	24,600 [7.2]	17,500 [5.1]	7,100 [2.1]	11.65	13.50	74	800 [378]	22,800 [6.7]	3.72	14,100 [4.1]	2.50	8.20
	RCFL-H*2417 (RGJD-07?MCK?)	24,600 [7.2]	17,500 [5.1]	7,100 [2.1]	11.55	13.50	74	800 [378]	22,800 [6.7]	3.70	14,200 [4.2]	2.48	8.20
	RCFL-H*2417 (RGJF-06?MCK?)	24,600 [7.2]	17,350 [5.1]	7,250 [2.1]	11.75	14.00	74	825 [389]	22,400 [6.6]	3.68	13,100 [3.8]	2.34	8.20
	RCFL-H*2417 (RGJF-07?MCK?)	24,600 [7.2]	17,350 [5.1]	7,250 [2.1]	11.65	14.00	74	800 [378]	22,400 [6.6]	3.66	13,200 [3.9]	2.32	8.20
	RCFL-H*2417 (RGLJ-07?AMK?)	24,600 [7.2]	17,300 [5.1]	7,300 [2.1]	11.50	14.00	74	800 [378]	22,400 [6.6]	3.70	13,100 [3.8]	2.34	8.20
RCFL-H*2417 (RGLR-07?AMK?)	24,600 [7.2]	17,500 [5.1]	7,100 [2.1]	11.80	14.00	74	800 [378]	22,600 [6.6]	3.74	14,100 [4.1]	2.50	8.20	

① Highest sales volume tested combination required by D.O.E. test procedures.

[ ] Designates Metric Conversions

# Performance Data AHRI Standard Conditions (cont.)

Note: Only these combinations of indoor/outdoor units are approved and any other combinations should not be used.

Model Numbers		AHRI Cooling Performance							AHRI Heating Performance (70°F [21°C] Indoor)				
		80°F [26.5°C] DB/67°F [19.5°C] WB Indoor Air 95°F [35°C] DB Outdoor Air							Outdoor Air 47°F [8.5°C] DB/ 43°F [6°C] WB DOE High Temp.		Outdoor Air 17°F [-8.5°C] DB/ 15°F [-9.5°C] WB DOE Low Temp.		DOE Region IV HSPF
Outdoor Unit 13PJL	Indoor Coil and/or Air Handler	Total Capacity BTU/H [kW]	Net Sens. BTU/H [kW]	Net Latent BTU/H [kW]	EER	SEER	Snd. Rate dB	Indoor CFM [L/s]	BTU/H [kW]	COP	BTU/H [kW]	COP	
Rev. 6/30/10	RCFL-H*2417 (RGLT-07?AME?)	24,800 [7.3]	17,650 [5.2]	7,150 [2.1]	11.50	14.00	74	850 [401]	22,400 [6.6]	3.66	13,200 [3.9]	2.32	8.20
	RCFL-H*2417 (RGPE-05?BMK?)	24,600 [7.2]	17,350 [5.1]	7,250 [2.1]	11.50	14.00	74	800 [378]	22,400 [6.6]	3.68	13,200 [3.9]	2.32	8.20
	RCFL-H*2417 (RGPE-07?AMK?)	24,600 [7.2]	17,350 [5.1]	7,250 [2.1]	11.50	14.00	74	825 [389]	22,400 [6.6]	3.68	13,200 [3.9]	2.34	8.20
	RCFL-H*2417 (RGPR-05?BMK?)	24,400 [7.1]	17,350 [5.1]	7,050 [2.1]	11.45	13.50	74	775 [366]	22,800 [6.7]	3.68	14,200 [4.2]	2.48	8.20
	RCFL-H*2417 (RGPR-07?AMK?)	24,600 [7.2]	17,500 [5.1]	7,100 [2.1]	11.70	14.00	74	800 [378]	22,800 [6.7]	3.74	14,100 [4.1]	2.50	8.20
	RCFL-H*2417 (RGPT-05?BMK?)	24,800 [7.3]	17,700 [5.2]	7,100 [2.1]	11.50	13.50	74	850 [401]	22,600 [6.6]	3.62	13,300 [3.9]	2.30	8.20
	RCFL-H*2417 (RGPT-07?AME?)	24,800 [7.3]	17,650 [5.2]	7,150 [2.1]	11.50	14.00	74	850 [401]	22,400 [6.6]	3.64	13,300 [3.9]	2.32	8.20
	RCFL-H*2417 (RGRM-04?MAE?)	24,400 [7.1]	17,350 [5.1]	7,050 [2.1]	11.40	13.50	74	800 [378]	22,400 [6.6]	3.60	13,300 [3.9]	2.30	8.20
	RCFL-H*2417 (RGRM-06?MAE?)	24,400 [7.1]	17,350 [5.1]	7,050 [2.1]	11.45	13.50	74	825 [389]	22,400 [6.6]	3.60	13,300 [3.9]	2.30	8.20
	RCFL-H*2417 (RGRM-07?MAE?)	24,600 [7.2]	17,700 [5.2]	6,900 [2.0]	11.00	13.00	74	850 [401]	22,600 [6.6]	3.56	13,500 [4.0]	2.28	8.20
	ROCA-070E03 (RCFL-H*2417)	24,600 [7.2]	17,350 [5.1]	7,250 [2.1]	11.50	14.00	74	800 [378]	22,400 [6.6]	3.68	13,100 [3.8]	2.34	8.20
	ROCA-070E04 (RCFL-H*2417)	24,600 [7.2]	17,350 [5.1]	7,250 [2.1]	11.50	14.00	74	800 [378]	22,400 [6.6]	3.68	13,100 [3.8]	2.34	8.20
	ROLA-070E03 (RCFL-H*2417)	24,600 [7.2]	17,350 [5.1]	7,250 [2.1]	11.50	14.00	74	800 [378]	22,400 [6.6]	3.68	13,200 [3.9]	2.34	8.20
	ROLA-070E04 (RCFL-H*2417)	24,600 [7.2]	17,350 [5.1]	7,250 [2.1]	11.50	14.00	74	800 [378]	22,400 [6.6]	3.68	13,200 [3.9]	2.34	8.20
	RBHP-17 (RCHL-24A2)	22,400 [6.6]	15,850 [4.6]	6,550 [1.9]	11.00	13.00	74	800 [378]	22,200 [6.5]	3.60	14,500 [4.2]	2.54	7.70
RHLL-HM2417 (RCSL-H*2417)	24,800 [7.3]	17,650 [5.2]	7,150 [2.1]	12.00	14.00	74	800 [378]	22,200 [6.5]	3.72	13,100 [3.8]	2.36	8.20	
24	RHSL-HM3017 (RCSL-H*3617) ①	28,600 [8.4]	21,450 [6.3]	7,150 [2.1]	11.40	13.00	73	1,000 [472]	27,800 [8.1]	3.74	15,600 [4.6]	2.52	8.50
	RHAL-FR30P	28,600 [8.4]	22,050 [6.5]	6,550 [1.9]	11.50	13.00	73	1,000 [472]	29,000 [8.5]	3.76	16,000 [4.7]	2.28	7.70
	RHBL-FR36T	28,600 [8.4]	22,050 [6.5]	6,550 [1.9]	12.00	14.00	73	1,025 [484]	28,400 [8.3]	3.92	15,500 [4.5]	2.32	8.20
	RCFL-H*3617	28,400 [8.3]	21,250 [6.2]	7,150 [2.1]	11.00	13.00	73	1,000 [472]	27,400 [8.0]	3.58	15,000 [4.4]	2.36	8.00
	RCFL-H*3617 (RGFD-07?MCK?)	28,400 [8.3]	21,350 [6.3]	7,050 [2.1]	11.50	13.50	73	1,000 [472]	27,000 [7.9]	3.70	14,500 [4.2]	2.42	8.20
	RCFL-H*3617 (RGFE-06?MCK?)	28,600 [8.4]	21,650 [6.3]	6,950 [2.0]	11.30	13.00	73	1,000 [472]	27,400 [8.0]	3.62	15,200 [4.5]	2.32	8.20
	RCFL-H*3617 (RGFE-07?MCK?)	28,600 [8.4]	21,650 [6.3]	6,950 [2.0]	11.20	13.00	73	1,025 [484]	27,400 [8.0]	3.62	15,300 [4.5]	2.32	8.20
	RCFL-H*3617 (RGGD-06?MCK?)	28,400 [8.3]	21,350 [6.3]	7,050 [2.1]	11.55	13.50	73	1,000 [472]	27,000 [7.9]	3.70	14,500 [4.2]	2.42	8.20
	RCFL-H*3617 (RGGE-06?MCK?)	28,800 [8.4]	21,800 [6.4]	7,000 [2.1]	11.45	13.50	73	1,025 [484]	27,400 [8.0]	3.66	15,200 [4.5]	2.34	8.20
	RCFL-H*3617 (RGGE-07?MCK?)	28,800 [8.4]	21,800 [6.4]	7,000 [2.1]	11.40	13.50	73	1,025 [484]	27,400 [8.0]	3.64	15,200 [4.5]	2.34	8.20
	RCFL-H*3617 (RGJD-06?MCK?)	28,400 [8.3]	21,350 [6.3]	7,050 [2.1]	11.55	13.50	73	1,000 [472]	27,000 [7.9]	3.70	14,500 [4.2]	2.42	8.20
	RCFL-H*3617 (RGJF-06?MCK?)	28,800 [8.4]	21,800 [6.4]	7,000 [2.1]	11.45	13.50	73	1,025 [484]	27,400 [8.0]	3.66	15,200 [4.5]	2.34	8.20
	RCFL-H*3617 (RGLE-07?AMK?)	28,800 [8.4]	21,800 [6.4]	7,000 [2.1]	11.00	13.50	73	1,025 [484]	27,200 [8.0]	3.68	15,100 [4.4]	2.36	8.20
30													

① Highest sales volume tested combination required by D.O.E. test procedures.

[ ] Designates Metric Conversions

# Performance Data AHRI Standard Conditions (cont.)

Note: Only these combinations of indoor/outdoor units are approved and any other combinations should not be used.

Model Numbers		AHRI Cooling Performance							AHRI Heating Performance (70°F [21°C] Indoor)				
		80°F [26.5°C] DB/67°F [19.5°C] WB Indoor Air 95°F [35°C] DB Outdoor Air							Outdoor Air 47°F [8.5°C] DB/ 43°F [6°C] WB DOE High Temp.		Outdoor Air 17°F [-8.5°C] DB/ 15°F [-9.5°C] WB DOE Low Temp.		DOE Region IV HSPF
Outdoor Unit 13PJL	Indoor Coil and/or Air Handler	Total Capacity BTU/H [kW]	Net Sens. BTU/H [kW]	Net Latent BTU/H [kW]	EER	SEER	Snd. Rate dB	Indoor CFM [L/s]	BTU/H [kW]	COP	BTU/H [kW]	COP	
Rev. 6/30/10	RCFL-H*3617 (RGLR-07?AMK?)	28,600 [8.4]	21,500 [6.3]	7,100 [2.1]	11.75	13.50	73	1,025 [484]	27,000 [7.9]	3.76	14,300 [4.2]	2.46	8.20
	RCFL-H*3617 (RGLT-07?AME?)	29,000 [8.5]	22,200 [6.5]	6,800 [2.0]	11.50	13.50	73	1,050 [495]	27,400 [8.0]	3.66	15,100 [4.4]	2.34	8.20
	RCFL-H*3617 (RGPE-05?BMK?)	28,800 [8.4]	21,800 [6.4]	7,000 [2.1]	11.00	13.50	73	975 [460]	27,400 [8.0]	3.66	15,100 [4.4]	2.36	8.20
	RCFL-H*3617 (RGPE-07?AMK?)	28,800 [8.4]	21,800 [6.4]	7,000 [2.1]	11.55	13.50	73	1,000 [472]	27,400 [8.0]	3.68	15,100 [4.4]	2.36	8.20
	RCFL-H*3617 (RGPR-07?AMK?)	28,600 [8.4]	21,500 [6.3]	7,100 [2.1]	11.70	13.50	73	1,000 [472]	27,000 [7.9]	3.74	14,400 [4.2]	2.44	8.20
	RCFL-H*3617 (RGPT-05?BMK?)	28,800 [8.4]	22,050 [6.5]	6,750 [2.0]	11.00	13.00	73	1,050 [495]	27,600 [8.1]	3.60	15,300 [4.5]	2.32	8.20
	RCFL-H*3617 (RGPT-07?AME?)	29,000 [8.5]	22,200 [6.5]	6,800 [2.0]	11.00	13.50	73	1,050 [495]	27,400 [8.0]	3.62	15,200 [4.5]	2.34	8.20
	RCFL-H*3617 (RGRM-04?MAE?)	28,400 [8.3]	21,350 [6.3]	7,050 [2.1]	11.30	13.00	73	1,025 [484]	27,200 [8.0]	3.64	14,800 [4.3]	2.40	8.20
	RCFL-H*3617 (RGRM-06?MAE?)	28,400 [8.3]	21,350 [6.3]	7,050 [2.1]	11.45	13.00	73	1,000 [472]	27,200 [8.0]	3.66	14,700 [4.3]	2.42	8.20
	RCFL-H*3617 (RGRM-07?YBG?)	28,400 [8.3]	21,350 [6.3]	7,050 [2.1]	11.25	13.00	73	975 [460]	27,200 [8.0]	3.64	14,800 [4.3]	2.40	8.20
30	ROCA-070E03 (RCFL-H*3617)	28,800 [8.4]	21,800 [6.4]	7,000 [2.1]	11.50	13.50	73	1,000 [472]	27,200 [8.0]	3.70	15,100 [4.4]	2.36	8.20
	ROCA-070E04 (RCFL-H*3617)	28,800 [8.4]	21,800 [6.4]	7,000 [2.1]	11.50	13.50	73	1,000 [472]	27,200 [8.0]	3.70	15,100 [4.4]	2.36	8.20
	ROLA-070E03 (RCFL-H*3617)	29,000 [8.5]	21,950 [6.4]	7,050 [2.1]	11.50	14.00	73	975 [460]	27,200 [8.0]	3.72	15,000 [4.4]	2.38	8.20
	ROLA-070E04 (RCFL-H*3617)	29,000 [8.5]	21,950 [6.4]	7,050 [2.1]	11.50	14.00	73	975 [460]	27,200 [8.0]	3.72	15,000 [4.4]	2.38	8.20
	RCFL-H*3621	28,400 [8.3]	21,250 [6.2]	7,150 [2.1]	11.00	13.00	73	1,000 [472]	27,400 [8.0]	3.58	15,000 [4.4]	2.36	8.00
	RCFL-H*3621 (RGFD-07?MCK?)	28,400 [8.3]	21,350 [6.3]	7,050 [2.1]	11.55	13.50	73	1,000 [472]	27,000 [7.9]	3.70	14,500 [4.2]	2.42	8.20
	RCFL-H*3621 (RGFE-06?MCK?)	28,600 [8.4]	21,650 [6.3]	6,950 [2.0]	11.35	13.50	73	1,000 [472]	27,400 [8.0]	3.64	15,200 [4.5]	2.34	8.20
	RCFL-H*3621 (RGFE-07?MCK?)	28,600 [8.4]	21,650 [6.3]	6,950 [2.0]	11.25	13.00	73	1,025 [484]	27,400 [8.0]	3.62	15,200 [4.5]	2.32	8.20
	RCFL-H*3621 (RGFE-09?ZCM?)	29,000 [8.5]	21,950 [6.4]	7,050 [2.1]	11.75	14.00	73	975 [460]	27,200 [8.0]	3.72	15,000 [4.4]	2.38	8.20
	RCFL-H*3621 (RGFE-10?ZCM?)	28,800 [8.4]	21,800 [6.4]	7,000 [2.1]	11.70	13.50	73	1,000 [472]	27,200 [8.0]	3.72	15,000 [4.4]	2.38	8.20
	RCFL-H*3621 (RGGD-06?MCK?)	28,600 [8.4]	21,500 [6.3]	7,100 [2.1]	11.60	13.50	73	1,000 [472]	27,000 [7.9]	3.72	14,400 [4.2]	2.42	8.20
	RCFL-H*3621 (RGGD-07?MCK?)	28,400 [8.3]	21,350 [6.3]	7,050 [2.1]	11.50	13.50	73	1,025 [484]	27,000 [7.9]	3.70	14,500 [4.2]	2.42	8.20
	RCFL-H*3621 (RGGE-06?MCK?)	28,800 [8.4]	21,800 [6.4]	7,000 [2.1]	11.50	13.50	73	1,025 [484]	27,400 [8.0]	3.66	15,100 [4.4]	2.36	8.20
	RCFL-H*3621 (RGGE-07?MCK?)	28,800 [8.4]	21,800 [6.4]	7,000 [2.1]	11.45	13.50	73	1,025 [484]	27,400 [8.0]	3.66	15,200 [4.5]	2.34	8.20
	RCFL-H*3621 (RGGE-09?ZCM?)	29,000 [8.5]	21,950 [6.4]	7,050 [2.1]	11.75	14.00	73	1,000 [472]	27,200 [8.0]	3.72	15,000 [4.4]	2.38	8.20
	RCFL-H*3621 (RGGE-10?ZCM?)	28,800 [8.4]	21,800 [6.4]	7,000 [2.1]	11.70	14.00	73	1,000 [472]	27,200 [8.0]	3.72	15,000 [4.4]	2.38	8.20
	RCFL-H*3621 (RGJD-06?MCK?)	28,600 [8.4]	21,500 [6.3]	7,100 [2.1]	11.60	13.50	73	1,000 [472]	27,000 [7.9]	3.72	14,400 [4.2]	2.42	8.20
	RCFL-H*3621 (RGJD-07?MCK?)	28,400 [8.3]	21,350 [6.3]	7,050 [2.1]	11.50	13.50	73	1,025 [484]	27,000 [7.9]	3.70	14,500 [4.2]	2.42	8.20
	RCFL-H*3621 (RGJF-06?MCK?)	28,800 [8.4]	21,800 [6.4]	7,000 [2.1]	11.50	13.50	73	1,025 [484]	27,400 [8.0]	3.66	15,100 [4.4]	2.36	8.20
	RCFL-H*3621 (RGJF-07?MCK?)	28,800 [8.4]	21,800 [6.4]	7,000 [2.1]	11.45	13.50	73	1,025 [484]	27,400 [8.0]	3.66	15,200 [4.5]	2.34	8.20

① Highest sales volume tested combination required by D.O.E. test procedures.

[ ] Designates Metric Conversions

# Performance Data AHRI Standard Conditions (cont.)

Note: Only these combinations of indoor/outdoor units are approved and any other combinations should not be used.

Model Numbers		AHRI Cooling Performance							AHRI Heating Performance (70°F [21°C] Indoor)				
		80°F [26.5°C] DB/67°F [19.5°C] WB Indoor Air 95°F [35°C] DB Outdoor Air							Outdoor Air 47°F [8.5°C] DB/ 43°F [6°C] WB DOE High Temp.		Outdoor Air 17°F [-8.5°C] DB/ 15°F [-9.5°C] WB DOE Low Temp.		DOE Region IV HSPF
Outdoor Unit 13PJL	Indoor Coil and/or Air Handler	Total Capacity BTU/H [kW]	Net Sens. BTU/H [kW]	Net Latent BTU/H [kW]	EER	SEER	Snd. Rate dB	Indoor CFM [L/s]	BTU/H [kW]	COP	BTU/H [kW]	COP	
													Rev. 6/30/10
	RCFL-H*3621 (RGJF-10?ZCM?)	28,800 [8.4]	21,800 [6.4]	7,000 [2.1]	11.70	14.00	73	1,000 [472]	27,200 [8.0]	3.72	15,000 [4.4]	2.38	8.20
	RCFL-H*3621 (RGLE-07?AMK?)	28,800 [8.4]	21,800 [6.4]	7,000 [2.1]	11.00	13.50	73	1,025 [484]	27,200 [8.0]	3.70	15,000 [4.4]	2.38	8.20
	RCFL-H*3621 (RGLE-07?BRQ?)	29,000 [8.5]	21,950 [6.4]	7,050 [2.1]	11.50	14.00	73	1,025 [484]	27,200 [8.0]	3.74	14,900 [4.4]	2.40	8.20
	RCFL-H*3621 (RGLE-10?BRM?)	29,200 [8.6]	22,350 [6.5]	6,850 [2.0]	11.50	14.00	73	1,050 [495]	27,000 [7.9]	3.76	14,900 [4.4]	2.40	8.20
	RCFL-H*3621 (RGLR-07?AMK?)	28,600 [8.4]	21,500 [6.3]	7,100 [2.1]	11.80	13.50	73	1,025 [484]	26,800 [7.9]	3.76	14,300 [4.2]	2.46	8.20
	RCFL-H*3621 (RGLR-07?BRQ?)	28,800 [8.4]	21,650 [6.3]	7,150 [2.1]	12.10	14.00	73	1,000 [472]	26,800 [7.9]	3.82	14,100 [4.1]	2.50	8.20
	RCFL-H*3621 (RGLT-07?AME?)	29,200 [8.6]	22,450 [6.6]	6,750 [2.0]	11.50	13.50	73	1,075 [507]	27,400 [8.0]	3.66	15,100 [4.4]	2.34	8.20
	RCFL-H*3621 (RGLT-07?BRQ?)	29,000 [8.5]	21,950 [6.4]	7,050 [2.1]	11.50	14.00	73	975 [460]	27,200 [8.0]	3.76	14,900 [4.4]	2.40	8.20
	RCFL-H*3621 (RGLT-10?BRM?)	29,000 [8.5]	21,950 [6.4]	7,050 [2.1]	11.50	14.00	73	975 [460]	27,000 [7.9]	3.76	14,900 [4.4]	2.42	8.20
	RCFL-H*3621 (RGPE-05?BMK?)	28,800 [8.4]	21,800 [6.4]	7,000 [2.1]	11.00	13.50	73	975 [460]	27,400 [8.0]	3.68	15,100 [4.4]	2.36	8.20
	RCFL-H*3621 (RGPE-07?AMK?)	28,800 [8.4]	21,800 [6.4]	7,000 [2.1]	11.60	13.50	73	1,000 [472]	27,200 [8.0]	3.70	15,000 [4.4]	2.36	8.20
	RCFL-H*3621 (RGPE-07?BRQ?)	29,000 [8.5]	21,950 [6.4]	7,050 [2.1]	11.50	14.00	73	1,025 [484]	27,200 [8.0]	3.74	14,900 [4.4]	2.40	8.20
	RCFL-H*3621 (RGPE-10?BRM?)	28,600 [8.4]	21,150 [6.2]	7,450 [2.2]	11.50	14.00	73	900 [425]	27,000 [7.9]	3.80	14,700 [4.3]	2.44	8.20
	RCFL-H*3621 (RGPR-07?AMK?)	28,600 [8.4]	21,500 [6.3]	7,100 [2.1]	11.75	13.50	73	1,000 [472]	27,000 [7.9]	3.76	14,300 [4.2]	2.46	8.20
	RCFL-H*3621 (RGPR-07?BRQ?)	28,800 [8.4]	21,650 [6.3]	7,150 [2.1]	12.15	14.00	73	1,000 [472]	26,800 [7.9]	3.84	14,100 [4.1]	2.50	8.20
	RCFL-H*3621 (RGPT-05?BMK?)	29,000 [8.5]	22,300 [6.5]	6,700 [2.0]	11.00	13.50	73	1,075 [507]	27,600 [8.1]	3.60	15,300 [4.5]	2.32	8.20
	RCFL-H*3621 (RGPT-07?AME?)	29,000 [8.5]	22,200 [6.5]	6,800 [2.0]	11.00	13.50	73	1,050 [495]	27,400 [8.0]	3.64	15,200 [4.5]	2.34	8.20
	RCFL-H*3621 (RGPT-07?BRQ?)	29,400 [8.6]	22,500 [6.6]	6,900 [2.0]	12.00	14.50	73	1,050 [495]	27,000 [7.9]	3.76	14,900 [4.4]	2.42	8.20
	RCFL-H*3621 (RGPT-10?BRM?)	29,000 [8.5]	21,950 [6.4]	7,050 [2.1]	11.50	14.00	73	975 [460]	27,000 [7.9]	3.76	14,900 [4.4]	2.40	8.20
	RCFL-H*3621 (RGRM-04?MAE?)	28,400 [8.3]	21,350 [6.3]	7,050 [2.1]	11.30	13.00	73	1,025 [484]	27,200 [8.0]	3.64	14,800 [4.3]	2.42	8.20
	RCFL-H*3621 (RGRM-06?MAE?)	28,400 [8.3]	21,350 [6.3]	7,050 [2.1]	11.45	13.00	73	1,000 [472]	27,000 [7.9]	3.68	14,700 [4.3]	2.44	8.20
	RCFL-H*3621 (RGRM-07?YBG?)	28,400 [8.3]	21,350 [6.3]	7,050 [2.1]	11.30	13.00	73	975 [460]	27,200 [8.0]	3.66	14,800 [4.3]	2.42	8.20
	ROCA-070E03 (RCFL-H*3621)	28,800 [8.4]	21,800 [6.4]	7,000 [2.1]	11.50	13.50	73	1,000 [472]	27,200 [8.0]	3.70	15,000 [4.4]	2.38	8.20
	ROCA-070E04 (RCFL-H*3621)	28,800 [8.4]	21,800 [6.4]	7,000 [2.1]	11.50	13.50	73	1,000 [472]	27,200 [8.0]	3.70	15,000 [4.4]	2.38	8.20
	ROLA-070E03 (RCFL-H*3621)	29,000 [8.5]	21,950 [6.4]	7,050 [2.1]	11.50	14.00	73	975 [460]	27,200 [8.0]	3.74	14,900 [4.4]	2.40	8.20
	ROLA-070E04 (RCFL-H*3621)	29,000 [8.5]	21,950 [6.4]	7,050 [2.1]	11.50	14.00	73	975 [460]	27,200 [8.0]	3.74	14,900 [4.4]	2.40	8.20
	ROLA-115E05 (RCFL-H*3621)	29,200 [8.6]	22,350 [6.5]	6,850 [2.0]	11.50	14.00	73	1,050 [495]	27,200 [8.0]	3.70	15,000 [4.4]	2.38	8.20
	RBHP-21 (RCHL-36A1)	28,600 [8.4]	21,200 [6.2]	7,400 [2.2]	12.00	14.00	73	1,000 [472]	26,800 [7.9]	3.82	14,500 [4.2]	2.56	9.00
	RHLL-HM3617 (RCSL-H*3617)	28,800 [8.4]	21,650 [6.3]	7,150 [2.1]	12.00	14.00	73	1,000 [472]	26,800 [7.9]	3.78	14,400 [4.2]	2.44	9.00

① Highest sales volume tested combination required by D.O.E. test procedures.

[ ] Designates Metric Conversions

# Performance Data AHRI Standard Conditions (cont.)

Note: Only these combinations of indoor/outdoor units are approved and any other combinations should not be used.

Model Numbers		AHRI Cooling Performance							AHRI Heating Performance (70°F [21°C] Indoor)				
		80°F [26.5°C] DB/67°F [19.5°C] WB Indoor Air 95°F [35°C] DB Outdoor Air							Outdoor Air 47°F [8.5°C] DB/ 43°F [6°C] WB DOE High Temp.		Outdoor Air 17°F [-8.5°C] DB/ 15°F [-9.5°C] WB DOE Low Temp.		DOE Region IV HSPF
Outdoor Unit 13PJL	Indoor Coil and/or Air Handler	Total Capacity BTU/H [kW]	Net Sens. BTU/H [kW]	Net Latent BTU/H [kW]	EER	SEER	Snd. Rate dB	Indoor CFM [L/s]	BTU/H [kW]	COP	BTU/H [kW]	COP	
Rev. 6/30/10	RHSL-HM3617 (RCSL-H*3617) ①	34,400 [10.1]	25,350 [7.4]	9,050 [2.7]	11.10	13.00	75	1,200 [566]	34,600 [10.1]	3.44	22,600 [6.6]	2.40	8.50
	RHAL-FR36T	34,800 [10.2]	26,300 [7.7]	8,500 [2.5]	11.20	13.00	75	1,200 [566]	35,200 [10.3]	3.28	20,400 [6.0]	2.00	7.70
	RHBL-FR36T	34,800 [10.2]	26,300 [7.7]	8,500 [2.5]	11.80	14.00	75	1,150 [543]	34,600 [10.1]	3.50	19,800 [5.8]	2.20	8.20
	RCFL-H*3617	33,400 [9.8]	24,350 [7.1]	9,050 [2.7]	10.95	13.00	75	1,075 [507]	34,400 [10.1]	3.46	22,400 [6.6]	2.40	8.50
	RCFL-H*3617 (RGGE-06?MCK?)	35,200 [10.3]	26,700 [7.8]	8,500 [2.5]	11.25	13.00	75	1,200 [566]	34,400 [10.1]	3.48	22,400 [6.6]	2.42	8.20
	RCFL-H*3617 (RGGE-07?MCK?)	35,200 [10.3]	26,700 [7.8]	8,500 [2.5]	11.20	13.00	75	1,200 [566]	34,600 [10.1]	3.46	22,600 [6.6]	2.40	8.20
	RCFL-H*3617 (RGJF-06?MCK?)	35,200 [10.3]	26,700 [7.8]	8,500 [2.5]	11.25	13.00	75	1,200 [566]	34,400 [10.1]	3.48	22,400 [6.6]	2.42	8.20
	RCFL-H*3617 (RGJF-07?MCK?)	35,200 [10.3]	26,700 [7.8]	8,500 [2.5]	11.20	13.00	75	1,200 [566]	34,600 [10.1]	3.46	22,600 [6.6]	2.40	8.20
	RCFL-H*3617 (RGLE-07?AMK?)	35,400 [10.4]	26,850 [7.9]	8,550 [2.5]	11.00	13.50	75	1,200 [566]	34,400 [10.1]	3.52	22,400 [6.6]	2.44	8.20
	RCFL-H*3617 (RGLR-07?AMK?)	35,400 [10.4]	26,650 [7.8]	8,750 [2.6]	11.45	13.50	75	1,200 [566]	34,800 [10.2]	3.56	23,600 [6.9]	2.58	8.20
	RCFL-H*3617 (RGLT-07?AME?)	35,400 [10.4]	26,850 [7.9]	8,550 [2.5]	11.00	13.50	75	1,200 [566]	34,400 [10.1]	3.50	22,400 [6.6]	2.42	8.20
	RCFL-H*3617 (RGPE-05?BMK?)	35,200 [10.3]	26,700 [7.8]	8,500 [2.5]	11.00	13.00	75	1,200 [566]	34,600 [10.1]	3.48	22,400 [6.6]	2.40	8.20
	RCFL-H*3617 (RGPE-07?AMK?)	35,400 [10.4]	27,000 [7.9]	8,400 [2.5]	11.30	13.00	75	1,225 [578]	34,400 [10.1]	3.48	22,400 [6.6]	2.42	8.20
	RCFL-H*3617 (RGPT-05?BMK?)	35,000 [10.3]	26,400 [7.7]	8,600 [2.5]	11.00	13.00	75	1,175 [554]	34,600 [10.1]	3.44	22,600 [6.6]	2.40	8.20
36	RCFL-H*3617 (RGPT-07?AME?)	35,200 [10.3]	26,550 [7.8]	8,650 [2.5]	11.00	13.00	75	1,175 [554]	34,400 [10.1]	3.48	22,400 [6.6]	2.42	8.20
	RCFL-H*3617 (RGRM-06?MAE?)	34,800 [10.2]	26,350 [7.7]	8,450 [2.5]	11.00	13.00	75	1,175 [554]	34,600 [10.1]	3.40	22,600 [6.6]	2.36	8.20
	RCFL-H*3617 (RGRM-09?ZAJ?)	35,400 [10.4]	27,150 [8.0]	8,250 [2.4]	11.40	13.00	75	1,225 [578]	34,400 [10.1]	3.48	22,400 [6.6]	2.40	8.20
	RCFL-H*3617 (RGRM-10?ZAJ?)	35,000 [10.3]	26,350 [7.7]	8,650 [2.5]	11.50	13.50	75	1,150 [543]	34,200 [10.0]	3.50	22,200 [6.5]	2.42	8.20
	ROCA-070E03 (RCFL-H*3617)	35,200 [10.3]	26,650 [7.8]	8,550 [2.5]	11.00	13.50	75	1,200 [566]	34,400 [10.1]	3.50	22,400 [6.6]	2.42	8.20
	ROCA-070E04 (RCFL-H*3617)	35,200 [10.3]	26,650 [7.8]	8,550 [2.5]	11.00	13.50	75	1,200 [566]	34,400 [10.1]	3.50	22,400 [6.6]	2.42	8.20
	ROLA-070E03 (RCFL-H*3617)	35,400 [10.4]	26,700 [7.8]	8,700 [2.5]	11.50	13.50	75	1,175 [554]	34,200 [10.0]	3.56	22,200 [6.5]	2.46	8.20
	ROLA-070E04 (RCFL-H*3617)	35,400 [10.4]	26,700 [7.8]	8,700 [2.5]	11.50	13.50	75	1,175 [554]	34,200 [10.0]	3.56	22,200 [6.5]	2.46	8.20
	RCFL-H*3621	33,400 [9.8]	24,350 [7.1]	9,050 [2.7]	10.95	13.00	75	1,075 [507]	34,400 [10.1]	3.46	22,400 [6.6]	2.40	8.50
	RCFL-H*3621 (RGFD-09?ZCM?)	34,800 [10.2]	25,400 [7.4]	9,400 [2.8]	11.65	13.50	75	1,150 [543]	34,600 [10.1]	3.64	23,400 [6.9]	2.62	8.20
	RCFL-H*3621 (RGFD-10?ZCM?)	34,600 [10.1]	25,250 [7.4]	9,350 [2.7]	11.45	13.50	75	1,175 [554]	34,800 [10.2]	3.60	23,600 [6.9]	2.60	8.20
	RCFL-H*3621 (RGGD-09?ZCM?)	34,800 [10.2]	25,450 [7.5]	9,350 [2.7]	11.60	13.50	75	1,175 [554]	34,600 [10.1]	3.62	23,400 [6.9]	2.62	8.20
	RCFL-H*3621 (RGGD-10?ZCM?)	34,800 [10.2]	25,400 [7.4]	9,400 [2.8]	11.65	13.50	75	1,175 [554]	34,600 [10.1]	3.64	23,400 [6.9]	2.62	8.20
	RCFL-H*3621 (RGGE-06?MCK?)	35,200 [10.3]	26,650 [7.8]	8,550 [2.5]	11.35	13.00	75	1,200 [566]	34,400 [10.1]	3.48	22,400 [6.6]	2.42	8.20
RCFL-H*3621 (RGGE-07?MCK?)	35,200 [10.3]	26,700 [7.8]	8,500 [2.5]	11.25	13.00	75	1,200 [566]	34,600 [10.1]	3.46	22,400 [6.6]	2.40	8.20	

① Highest sales volume tested combination required by D.O.E. test procedures.

[ ] Designates Metric Conversions





# Performance Data AHRI Standard Conditions (cont.)

Note: Only these combinations of indoor/outdoor units are approved and any other combinations should not be used.

Model Numbers		AHRI Cooling Performance							AHRI Heating Performance (70°F [21°C] Indoor)				
		80°F [26.5°C] DB/67°F [19.5°C] WB Indoor Air 95°F [35°C] DB Outdoor Air							Outdoor Air 47°F [8.5°C] DB/ 43°F [6°C] WB DOE High Temp.		Outdoor Air 17°F [-8.5°C] DB/ 15°F [-9.5°C] WB DOE Low Temp.		DOE Region IV HSPF
Outdoor Unit 13PJL	Indoor Coil and/or Air Handler	Total Capacity BTU/H [kW]	Net Sens. BTU/H [kW]	Net Latent BTU/H [kW]	EER	SEER	Snd. Rate dB	Indoor CFM [L/s]	BTU/H [kW]	COP	BTU/H [kW]	COP	
Rev. 6/30/10  36	ROCA-070E04 (RCFL-H*3621)	35,400 [10.4]	26,850 [7.9]	8,550 [2.5]	11.00	13.50	75	1,200 [566]	34,400 [10.1]	3.52	22,400 [6.6]	2.44	8.20
	ROLA-070E03 (RCFL-H*3621)	35,400 [10.4]	26,700 [7.8]	8,700 [2.5]	11.50	13.50	75	1,175 [554]	34,200 [10.0]	3.58	22,000 [6.4]	2.48	8.20
	ROLA-070E04 (RCFL-H*3621)	35,400 [10.4]	26,700 [7.8]	8,700 [2.5]	11.50	13.50	75	1,175 [554]	34,200 [10.0]	3.58	22,000 [6.4]	2.48	8.20
	ROLA-115E05 (RCFL-H*3621)	35,600 [10.4]	27,000 [7.9]	8,600 [2.5]	11.50	14.00	75	1,200 [566]	34,000 [10.0]	3.58	22,000 [6.4]	2.48	8.20
	RBHP-21 (RCHL-36A1)	35,400 [10.4]	25,650 [7.5]	9,750 [2.9]	11.75	13.50	75	1,175 [554]	36,000 [10.5]	3.50	23,400 [6.9]	2.36	8.20
	RHLL-HM3617 (RCSL-H*3617)	35,000 [10.3]	25,950 [7.6]	9,050 [2.7]	12.00	14.00	75	1,200 [566]	34,000 [10.0]	3.58	22,000 [6.4]	2.46	9.00
	RHSL-HM3621 (RCSL-H*3621)	34,400 [10.1]	25,350 [7.4]	9,050 [2.7]	11.10	13.00	75	1,200 [566]	34,600 [10.1]	3.44	22,600 [6.6]	2.40	8.50
42	RHSL-HM4221 (RCSL-H*4821) ①	41,000 [12.0]	30,350 [8.9]	10,650 [3.1]	11.05	13.00	77	1,400 [661]	41,500 [12.2]	3.60	27,600 [8.1]	2.54	8.50
	RCFL-H*4821	41,000 [12.0]	30,350 [8.9]	10,650 [3.1]	10.90	13.00	77	1,400 [661]	41,500 [12.2]	3.56	27,800 [8.1]	2.54	8.50
	RCFL-H*4821 (RGFE-09?ZCM?)	41,000 [12.0]	30,300 [8.9]	10,700 [3.1]	11.10	13.00	77	1,400 [661]	41,500 [12.2]	3.60	27,400 [8.0]	2.58	8.20
	RCFL-H*4821 (RGGE-09?ZCM?)	41,500 [12.2]	30,750 [9.0]	10,750 [3.1]	11.25	13.00	77	1,400 [661]	41,000 [12.0]	3.64	27,200 [8.0]	2.60	8.20
	RCFL-H*4821 (RGGE-10?ZCM?)	41,000 [12.0]	30,300 [8.9]	10,700 [3.1]	11.10	13.00	77	1,400 [661]	41,500 [12.2]	3.62	27,400 [8.0]	2.58	8.20
	RCFL-H*4821 (RGJF-09?ZCM?)	41,500 [12.2]	30,750 [9.0]	10,750 [3.1]	11.25	13.50	77	1,400 [661]	41,000 [12.0]	3.64	27,200 [8.0]	2.60	8.20
	RCFL-H*4821 (RGJF-10?ZCM?)	41,000 [12.0]	30,300 [8.9]	10,700 [3.1]	11.15	13.00	77	1,400 [661]	41,500 [12.2]	3.62	27,400 [8.0]	2.60	8.20
	RCFL-H*4821 (RGLE-10?BRM?)	41,500 [12.2]	30,700 [9.0]	10,800 [3.2]	11.65	13.50	77	1,400 [661]	41,000 [12.0]	3.72	27,000 [7.9]	2.66	8.20
	RCFL-H*4821 (RGLR-07?BRQ?)	41,500 [12.2]	31,000 [9.1]	10,500 [3.1]	11.45	13.50	77	1,425 [672]	41,000 [12.0]	3.70	27,200 [8.0]	2.64	8.20
	RCFL-H*4821 (RGLR-10?BRM?)	41,500 [12.2]	30,950 [9.1]	10,550 [3.1]	11.60	13.50	77	1,375 [649]	41,000 [12.0]	3.72	27,000 [7.9]	2.66	8.20
	RCFL-H*4821 (RGLT-07?BRQ?)	41,500 [12.2]	31,000 [9.1]	10,500 [3.1]	11.00	13.50	77	1,450 [684]	41,000 [12.0]	3.66	27,200 [8.0]	2.62	8.20
	RCFL-H*4821 (RGLT-10?BRM?)	41,500 [12.2]	30,700 [9.0]	10,800 [3.2]	11.00	13.50	77	1,425 [672]	41,000 [12.0]	3.66	27,200 [8.0]	2.62	8.20
	RCFL-H*4821 (RGPE-07?BRQ?)	41,500 [12.2]	30,700 [9.0]	10,800 [3.2]	11.50	13.50	77	1,400 [661]	41,000 [12.0]	3.68	27,000 [7.9]	2.64	8.20
	RCFL-H*4821 (RGPE-10?BRM?)	41,500 [12.2]	30,700 [9.0]	10,800 [3.2]	11.50	13.50	77	1,400 [661]	41,000 [12.0]	3.68	27,000 [7.9]	2.64	8.20
	RCFL-H*4821 (RGPR-07?BRQ?)	41,500 [12.2]	30,950 [9.1]	10,550 [3.1]	11.55	13.50	77	1,400 [661]	41,000 [12.0]	3.70	27,200 [8.0]	2.66	8.20
	RCFL-H*4821 (RGPR-10?BRM?)	41,500 [12.2]	31,000 [9.1]	10,500 [3.1]	11.30	13.50	77	1,425 [672]	41,500 [12.2]	3.66	27,200 [8.0]	2.62	8.20
	RCFL-H*4821 (RGPT-07?BRQ?)	42,500 [12.5]	32,550 [9.5]	9,950 [2.9]	11.50	13.50	77	1,550 [731]	41,000 [12.0]	3.66	27,200 [8.0]	2.62	8.20
	RCFL-H*4821 (RGPT-10?BRM?)	41,500 [12.2]	30,700 [9.0]	10,800 [3.2]	11.50	13.50	77	1,425 [672]	41,000 [12.0]	3.68	27,200 [8.0]	2.62	8.20
	RCFL-H*4821 (RGRM-09?ZAJ?)	41,000 [12.0]	30,600 [9.0]	10,400 [3.0]	10.95	13.00	77	1,400 [661]	41,500 [12.2]	3.58	27,600 [8.1]	2.56	8.20
	ROLA-070E04 (RCFL-H*4821)	41,500 [12.2]	30,750 [9.0]	10,750 [3.1]	11.00	13.50	77	1,375 [649]	41,000 [12.0]	3.68	27,200 [8.0]	2.62	8.20
ROLA-115E05 (RCFL-H*4821)	41,500 [12.2]	30,750 [9.0]	10,750 [3.1]	11.00	13.50	77	1,400 [661]	41,000 [12.0]	3.66	27,200 [8.0]	2.62	8.20	
RCFL-H*4824	41,000 [12.0]	30,350 [8.9]	10,650 [3.1]	10.90	13.00	77	1,400 [661]	41,500 [12.2]	3.56	27,800 [8.1]	2.54	8.50	

① Highest sales volume tested combination required by D.O.E. test procedures.

[ ] Designates Metric Conversions

# Performance Data AHRI Standard Conditions (cont.)

Note: Only these combinations of indoor/outdoor units are approved and any other combinations should not be used.

Model Numbers		AHRI Cooling Performance							AHRI Heating Performance (70°F [21°C] Indoor)				
		80°F [26.5°C] DB/67°F [19.5°C] WB Indoor Air 95°F [35°C] DB Outdoor Air							Outdoor Air 47°F [8.5°C] DB/ 43°F [6°C] WB DOE High Temp.		Outdoor Air 17°F [-8.5°C] DB/ 15°F [-9.5°C] WB DOE Low Temp.		DOE Region IV HSPF
Outdoor Unit 13PJL	Indoor Coil and/or Air Handler	Total Capacity BTU/H [kW]	Net Sens. BTU/H [kW]	Net Latent BTU/H [kW]	EER	SEER	Snd. Rate dB	Indoor CFM [L/s]	BTU/H [kW]	COP	BTU/H [kW]	COP	
									BTU/H [kW]	COP	BTU/H [kW]	COP	
Rev. 6/30/10	RCFL-H*4824 (RGFE-09?ZCM?)	41,000 [12.0]	30,300 [8.9]	10,700 [3.1]	11.05	13.00	77	1,400 [661]	41,500 [12.2]	3.60	27,400 [8.0]	2.58	8.20
	RCFL-H*4824 (RGFE-12?RCM?)	41,500 [12.2]	31,050 [9.1]	10,450 [3.1]	11.30	13.50	77	1,450 [684]	41,000 [12.0]	3.64	27,200 [8.0]	2.60	8.20
	RCFL-H*4824 (RGGD-12?RCM?)	41,500 [12.2]	31,300 [9.2]	10,200 [3.0]	11.40	13.50	77	1,450 [684]	41,500 [12.2]	3.68	27,200 [8.0]	2.62	8.20
	RCFL-H*4824 (RGGE-09?ZCM?)	41,500 [12.2]	30,750 [9.0]	10,750 [3.1]	11.25	13.00	77	1,400 [661]	41,000 [12.0]	3.64	27,200 [8.0]	2.60	8.20
	RCFL-H*4824 (RGGE-10?ZCM?)	41,000 [12.0]	30,300 [8.9]	10,700 [3.1]	11.10	13.00	77	1,400 [661]	41,500 [12.2]	3.62	27,400 [8.0]	2.58	8.20
	RCFL-H*4824 (RGGE-12?RCM?)	41,500 [12.2]	30,700 [9.0]	10,800 [3.2]	11.55	13.50	77	1,375 [649]	41,000 [12.0]	3.70	27,000 [7.9]	2.64	8.20
	RCFL-H*4824 (RGJD-12?RCM?)	41,500 [12.2]	31,250 [9.2]	10,250 [3.0]	11.45	13.50	77	1,450 [684]	41,000 [12.0]	3.68	27,200 [8.0]	2.64	8.20
	RCFL-H*4824 (RGJF-09?ZCM?)	41,500 [12.2]	30,750 [9.0]	10,750 [3.1]	11.25	13.50	77	1,400 [661]	41,000 [12.0]	3.64	27,200 [8.0]	2.60	8.20
	RCFL-H*4824 (RGJF-10?ZCM?)	41,000 [12.0]	30,300 [8.9]	10,700 [3.1]	11.15	13.00	77	1,400 [661]	41,500 [12.2]	3.62	27,400 [8.0]	2.60	8.20
	RCFL-H*4824 (RGJF-12?RCM?)	41,500 [12.2]	30,700 [9.0]	10,800 [3.2]	11.55	13.50	77	1,375 [649]	41,000 [12.0]	3.70	27,000 [7.9]	2.64	8.20
42	RCFL-H*4824 (RGLE-07?BRQ?)	41,500 [12.2]	30,750 [9.0]	10,750 [3.1]	11.40	13.50	77	1,400 [661]	41,000 [12.0]	3.68	27,200 [8.0]	2.62	8.20
	RCFL-H*4824 (RGLE-10?BRM?)	41,500 [12.2]	30,700 [9.0]	10,800 [3.2]	11.65	13.50	77	1,400 [661]	41,000 [12.0]	3.72	27,000 [7.9]	2.66	8.20
	RCFL-H*4824 (RGLE-12?ARM?)	41,500 [12.2]	30,700 [9.0]	10,800 [3.2]	11.60	13.50	77	1,425 [672]	41,000 [12.0]	3.70	27,000 [7.9]	2.66	8.20
	RCFL-H*4824 (RGLR-07?BRQ?)	41,500 [12.2]	31,000 [9.1]	10,500 [3.1]	11.45	13.50	77	1,425 [672]	41,000 [12.0]	3.70	27,200 [8.0]	2.64	8.20
	RCFL-H*4824 (RGLR-10?BRM?)	41,500 [12.2]	30,950 [9.1]	10,550 [3.1]	11.60	13.50	77	1,375 [649]	41,000 [12.0]	3.72	27,000 [7.9]	2.66	8.20
	RCFL-H*4824 (RGLR-12?ARM?)	41,500 [12.2]	30,950 [9.1]	10,550 [3.1]	11.55	13.50	77	1,425 [672]	41,000 [12.0]	3.70	27,200 [8.0]	2.66	8.20
	RCFL-H*4824 (RGLT-07?BRQ?)	41,500 [12.2]	31,000 [9.1]	10,500 [3.1]	11.00	13.50	77	1,450 [684]	41,000 [12.0]	3.66	27,200 [8.0]	2.62	8.20
	RCFL-H*4824 (RGLT-10?BRM?)	41,500 [12.2]	30,700 [9.0]	10,800 [3.2]	11.00	13.50	77	1,425 [672]	41,000 [12.0]	3.66	27,200 [8.0]	2.62	8.20
	RCFL-H*4824 (RGLT-12?ARM?)	41,500 [12.2]	30,650 [9.0]	10,850 [3.2]	11.50	14.00	77	1,375 [649]	41,000 [12.0]	3.72	27,000 [7.9]	2.66	8.20
	RCFL-H*4824 (RGPE-07?BRQ?)	41,500 [12.2]	30,700 [9.0]	10,800 [3.2]	11.50	13.50	77	1,400 [661]	41,000 [12.0]	3.68	27,000 [7.9]	2.64	8.20
	RCFL-H*4824 (RGPE-10?BRM?)	41,500 [12.2]	30,700 [9.0]	10,800 [3.2]	11.45	13.50	77	1,400 [661]	41,000 [12.0]	3.68	27,200 [8.0]	2.64	8.20
	RCFL-H*4824 (RGPE-12?ARM?)	41,500 [12.2]	30,700 [9.0]	10,800 [3.2]	11.60	13.50	77	1,425 [672]	41,000 [12.0]	3.70	27,000 [7.9]	2.64	8.20
	RCFL-H*4824 (RGPR-07?BRQ?)	41,500 [12.2]	30,950 [9.1]	10,550 [3.1]	11.55	13.50	77	1,400 [661]	41,000 [12.0]	3.72	27,200 [8.0]	2.66	8.20
	RCFL-H*4824 (RGPR-10?BRM?)	41,500 [12.2]	31,000 [9.1]	10,500 [3.1]	11.30	13.50	77	1,425 [672]	41,500 [12.2]	3.66	27,200 [8.0]	2.62	8.20
	RCFL-H*4824 (RGPR-12?ARM?)	41,500 [12.2]	30,950 [9.1]	10,550 [3.1]	11.50	13.50	77	1,400 [661]	41,000 [12.0]	3.72	27,200 [8.0]	2.66	8.20
	RCFL-H*4824 (RGPT-07?BRQ?)	42,500 [12.5]	32,550 [9.5]	9,950 [2.9]	11.50	13.50	77	1,550 [731]	41,000 [12.0]	3.66	27,200 [8.0]	2.62	8.20
	RCFL-H*4824 (RGPT-10?BRM?)	41,500 [12.2]	30,700 [9.0]	10,800 [3.2]	11.50	13.50	77	1,425 [672]	41,000 [12.0]	3.68	27,200 [8.0]	2.62	8.20
	RCFL-H*4824 (RGPT-12?ARM?)	42,000 [12.3]	31,150 [9.1]	10,850 [3.2]	11.50	14.00	77	1,375 [649]	41,000 [12.0]	3.72	27,000 [7.9]	2.66	8.20
RCFL-H*4824 (RGRM-09?ZAJ?)	41,000 [12.0]	30,600 [9.0]	10,400 [3.0]	10.90	13.00	77	1,400 [661]	41,500 [12.2]	3.58	27,600 [8.1]	2.56	8.20	

① Highest sales volume tested combination required by D.O.E. test procedures.

[ ] Designates Metric Conversions

# Performance Data AHRI Standard Conditions (cont.)

Note: Only these combinations of indoor/outdoor units are approved and any other combinations should not be used.

Model Numbers		AHRI Cooling Performance							AHRI Heating Performance (70°F [21°C] Indoor)				
		80°F [26.5°C] DB/67°F [19.5°C] WB Indoor Air 95°F [35°C] DB Outdoor Air							Outdoor Air 47°F [8.5°C] DB/ 43°F [6°C] WB DOE High Temp.		Outdoor Air 17°F [-8.5°C] DB/ 15°F [-9.5°C] WB DOE Low Temp.		DOE Region IV HSPF
Outdoor Unit 13PJL	Indoor Coil and/or Air Handler	Total Capacity BTU/H [kW]	Net Sens. BTU/H [kW]	Net Latent BTU/H [kW]	EER	SEER	Snd. Rate dB	Indoor CFM [L/s]	BTU/h [kW]	COP	BTU/H [kW]	COP	
Rev. 6/30/10  42	RCFL-H*4824 (RGRM-12?RAJ?)	41,500 [12.2]	31,050 [9.1]	10,450 [3.1]	11.20	13.00	77	1,425 [672]	41,500 [12.2]	3.62	27,400 [8.0]	2.60	8.20
	ROLA-070E04 (RCFL-H*4824)	41,500 [12.2]	30,750 [9.0]	10,750 [3.1]	11.00	13.50	77	1,375 [649]	41,000 [12.0]	3.66	27,200 [8.0]	2.62	8.20
	ROLA-115E05 (RCFL-H*4824)	41,500 [12.2]	30,750 [9.0]	10,750 [3.1]	11.00	13.50	77	1,400 [661]	41,000 [12.0]	3.66	27,200 [8.0]	2.62	8.20
	RBHP-24 (RCHL-48A1)	40,000 [11.7]	28,250 [8.3]	11,750 [3.4]	12.00	14.00	77	1,400 [661]	41,500 [12.2]	3.60	28,000 [8.2]	2.66	9.00
	RHLL-HM4821 (RCSL-H*4821)	42,000 [12.3]	31,350 [9.2]	10,650 [3.1]	12.00	14.00	77	1,400 [661]	41,000 [12.0]	3.74	27,000 [7.9]	2.66	9.00
48	RHSL-HM4821 (RCSL-H*4821) ①	46,500 [13.6]	33,950 [9.9]	12,550 [3.7]	10.90	13.00	77	1,600 [755]	46,000 [13.5]	3.54	30,600 [9.0]	2.60	8.50
	RCFL-H*4821	45,500 [13.3]	32,950 [9.7]	12,550 [3.7]	10.85	13.00	77	1,475 [696]	46,000 [13.5]	3.58	30,400 [8.9]	2.58	8.50
	RCFL-H*4821 (RGL-10?BRM?)	47,500 [13.9]	35,700 [10.5]	11,800 [3.5]	11.30	13.50	77	1,600 [755]	45,500 [13.3]	3.62	30,200 [8.8]	2.62	8.50
	RCFL-H*4821 (RGLR-07?BRQ?)	47,500 [13.9]	35,900 [10.5]	11,600 [3.4]	11.15	13.00	77	1,625 [767]	46,000 [13.5]	3.58	30,400 [8.9]	2.60	8.50
	RCFL-H*4821 (RGLR-10?BRM?)	47,000 [13.8]	35,050 [10.3]	11,950 [3.5]	11.20	13.00	77	1,575 [743]	45,500 [13.3]	3.60	30,400 [8.9]	2.62	8.50
	RCFL-H*4821 (RGPE-07?BRQ?)	47,000 [13.8]	35,250 [10.3]	11,750 [3.4]	11.05	13.00	77	1,600 [755]	46,000 [13.5]	3.58	30,400 [8.9]	2.60	8.50
	RCFL-H*4821 (RGPE-10?BRM?)	47,000 [13.8]	34,850 [10.2]	12,150 [3.6]	11.35	13.50	77	1,550 [731]	45,500 [13.3]	3.64	30,200 [8.8]	2.64	8.50
	RCFL-H*4821 (RGPR-07?BRQ?)	47,500 [13.9]	35,900 [10.5]	11,600 [3.4]	11.20	13.00	77	1,625 [767]	45,500 [13.3]	3.60	30,400 [8.9]	2.62	8.50
	RCFL-H*4821 (RGPR-10?BRM?)	47,000 [13.8]	35,450 [10.4]	11,550 [3.4]	11.00	13.00	77	1,625 [767]	46,000 [13.5]	3.56	30,600 [9.0]	2.58	8.50
	RCFL-H*4821 (RGPT-07?BRQ?)	47,000 [13.8]	34,000 [10.0]	13,000 [3.8]	11.50	13.50	77	1,550 [731]	45,500 [13.3]	3.68	30,000 [8.8]	2.66	8.50
	RCFL-H*4824	45,500 [13.3]	32,950 [9.7]	12,550 [3.7]	10.85	13.00	77	1,475 [696]	46,000 [13.5]	3.58	30,400 [8.9]	2.58	8.50
	RCFL-H*4824 (RGGE-12?RCM?)	46,500 [13.6]	33,950 [9.9]	12,550 [3.7]	11.00	13.00	77	1,575 [743]	46,000 [13.5]	3.60	30,400 [8.9]	2.60	8.50
	RCFL-H*4824 (RGJF-12?RCM?)	46,500 [13.6]	33,950 [9.9]	12,550 [3.7]	11.05	13.00	77	1,575 [743]	45,500 [13.3]	3.60	30,400 [8.9]	2.62	8.50
	RCFL-H*4824 (RGL-10?BRM?)	46,500 [13.6]	33,900 [9.9]	12,600 [3.7]	11.15	13.00	77	1,600 [755]	45,500 [13.3]	3.62	30,200 [8.8]	2.62	8.50
	RCFL-H*4824 (RGL-12?ARM?)	46,500 [13.6]	33,400 [9.8]	13,100 [3.8]	11.30	13.50	77	1,525 [720]	45,500 [13.3]	3.66	30,000 [8.8]	2.66	8.50
	RCFL-H*4824 (RGLR-07?BRQ?)	46,500 [13.6]	33,950 [9.9]	12,550 [3.7]	11.00	13.00	77	1,625 [767]	46,000 [13.5]	3.58	30,400 [8.9]	2.60	8.50
	RCFL-H*4824 (RGLR-10?BRM?)	46,500 [13.6]	33,950 [9.9]	12,550 [3.7]	11.10	13.00	77	1,575 [743]	45,500 [13.3]	3.60	30,400 [8.9]	2.62	8.50
	RCFL-H*4824 (RGLR-12?ARM?)	46,500 [13.6]	33,400 [9.8]	13,100 [3.8]	11.25	13.50	77	1,525 [720]	45,500 [13.3]	3.66	30,000 [8.8]	2.64	8.50
	RCFL-H*4824 (RGLT-12?ARM?)	46,500 [13.6]	34,300 [10.0]	12,200 [3.6]	11.00	13.00	77	1,650 [779]	46,000 [13.5]	3.56	30,400 [8.9]	2.58	8.50
	RCFL-H*4824 (RGPE-10?BRM?)	46,500 [13.6]	33,950 [9.9]	12,550 [3.7]	11.00	13.00	77	1,625 [767]	46,000 [13.5]	3.58	30,400 [8.9]	2.60	8.50
	RCFL-H*4824 (RGPE-12?ARM?)	46,500 [13.6]	33,400 [9.8]	13,100 [3.8]	11.30	13.50	77	1,525 [720]	45,500 [13.3]	3.66	30,000 [8.8]	2.66	8.50
	RCFL-H*4824 (RGPR-07?BRQ?)	46,500 [13.6]	33,950 [9.9]	12,550 [3.7]	11.05	13.00	77	1,625 [767]	46,000 [13.5]	3.60	30,400 [8.9]	2.60	8.50
	RCFL-H*4824 (RGPR-10?BRM?)	46,000 [13.5]	32,950 [9.7]	13,050 [3.8]	11.00	13.00	77	1,525 [720]	45,500 [13.3]	3.62	30,200 [8.8]	2.62	8.50
RCFL-H*4824 (RGPR-12?ARM?)	46,500 [13.6]	33,900 [9.9]	12,600 [3.7]	11.10	13.00	77	1,575 [743]	45,500 [13.3]	3.62	30,200 [8.8]	2.62	8.50	

① Highest sales volume tested combination required by D.O.E. test procedures.

[ ] Designates Metric Conversions

## Performance Data AHRI Standard Conditions (cont.)

Note: Only these combinations of indoor/outdoor units are approved and any other combinations should not be used.

Model Numbers		AHRI Cooling Performance							AHRI Heating Performance (70°F [21°C] Indoor)				
		80°F [26.5°C] DB/67°F [19.5°C] WB Indoor Air 95°F [35°C] DB Outdoor Air							Outdoor Air 47°F [8.5°C] DB/ 43°F [6°C] WB DOE High Temp.		Outdoor Air 17°F [-8.5°C] DB/ 15°F [-9.5°C] WB DOE Low Temp.		DOE Region IV HSPF
Outdoor Unit 13PJL	Indoor Coil and/or Air Handler	Total Capacity BTU/H [kW]	Net Sens. BTU/H [kW]	Net Latent BTU/H [kW]	EER	SEER	Snd. Rate dB	Indoor CFM [L/s]	BTU/H [kW]	COP	BTU/H [kW]	COP	
Rev. 6/30/10	RCFL-H*4824 (RGPT-07?BRQ?)	46,500 [13.6]	33,500 [9.8]	13,000 [3.8]	11.50	13.50	77	1,550 [731]	45,500 [13.3]	3.68	30,000 [8.8]	2.66	8.50
	RCFL-H*4824 (RGPT-12?ARM?)	46,500 [13.6]	34,300 [10.0]	12,200 [3.6]	11.00	13.00	77	1,650 [779]	46,000 [13.5]	3.56	30,600 [9.0]	2.58	8.50
48	RHLL-HM4821 (RCSL-H*4821)	47,500 [13.9]	34,950 [10.2]	12,550 [3.7]	12.00	14.00	77	1,600 [755]	45,500 [13.3]	3.72	29,800 [8.7]	2.68	9.00
	RHLL-HM4824 (RCSL-H*4824)	48,000 [14.1]	36,500 [10.7]	11,500 [3.4]	12.00	14.00	77	1,625 [767]	45,500 [13.3]	3.74	29,800 [8.7]	2.68	9.00
	RHSL-HM4824 (RCSL-H*4824)	46,500 [13.6]	33,950 [9.9]	12,550 [3.7]	10.90	13.00	77	1,600 [755]	46,000 [13.5]	3.54	30,600 [9.0]	2.60	8.50
60	RHLL-HM6024 (RCSL-H*6024) ①	58,000 [17.0]	41,500 [12.2]	16,500 [4.8]	10.90	13.00	77	1,775 [838]	55,000 [16.1]	3.64	34,200 [10.0]	2.50	8.50
	RHKL-HM6024 (RCSL-H*6024)	58,000 [17.0]	41,500 [12.2]	16,500 [4.8]	10.95	13.00	77	1,800 [849]	55,500 [16.3]	3.70	34,200 [10.0]	2.54	8.50

① Highest sales volume tested combination required by D.O.E. test procedures.

[ ] Designates Metric Conversions

# Electrical and Physical Data

Model Number 13PJL	ELECTRICAL							PHYSICAL						
	Phase Frequency (Hz) Voltage (Volts)	Compressor		Fan Motor Full Load Amperes (FLA)	Minimum Circuit Ampacity Amperes	Fuse or HACR Circuit Breaker		Outdoor Coil			Refrig. Per Circuit Oz. [g]	Weight		
		Rated Load Amperes (RLA)	Locked Rotor Amperes (LRA)			Minimum Amperes	Maximum Amperes	Face Area Sq. Ft. [m²]	No. Rows	CFM [L/s]		Net Lbs. [kg]	Shipping Lbs. [kg]	
Rev. 3/12/10														
18	1-60-208/230	9/9	48	0.6	12/12	15/15	20/20	11.06 [1.03]	1	1700 [802]	91 [2580]	144 [65.3]	152 [68.9]	
24	1-60-208/230	12.8/12.8	58.3	0.6	17/17	20/20	25/25	11.06 [1.03]	1	2370 [1118]	91 [2580]	130 [59]	138 [62.6]	
30	1-60-208/230	14.1/14.1	73	0.8	19/19	25/25	30/30	13.72 [1.27]	1	2800 [1321]	101 [2863]	198 [89.8]	208 [94.3]	
36	1-60-208/230	17/17	96.7	1.2	23/23	30/30	35/35	16.39 [1.52]	1	3575 [1687]	109 [3090]	215 [97.5]	227 [103]	
42	1-60-208/230	21.8/21.8	112	1.2	29/29	35/35	50/50	21.85 [2.03]	1	3575 [1687]	150 [4252]	202 [91.6]	214 [97.1]	
48	1-60-208/230	21.8/21.8	117	1.2	29/29	35/35	50/50	21.85 [2.03]	1	3575 [1687]	141 [3997]	205 [93]	217 [98.4]	
60	1-60-208/230	26.3/26.3	134	1.2	35/35	45/45	60/60	21.85 [2.03]	1	3575 [1687]	228 [6464]	209 [94.8]	221 [100.2]	

**NOTES:**

- ① 20 Fins per inch.
- ② Factory charged for 15 ft. line set.

[ ] Designates Metric Conversions

**BEFORE PURCHASING THIS APPLIANCE, READ IMPORTANT ENERGY COST AND EFFICIENCY INFORMATION AVAILABLE FROM YOUR RETAILER.**

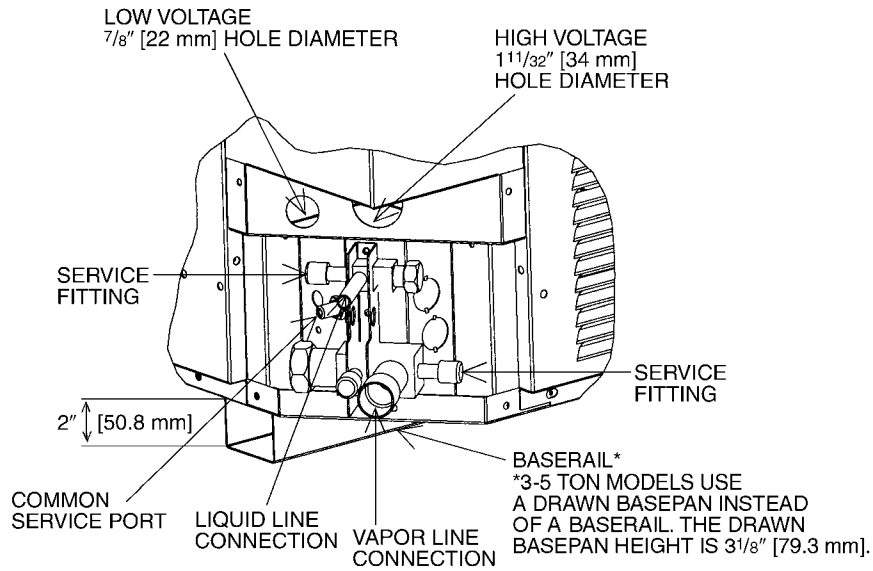
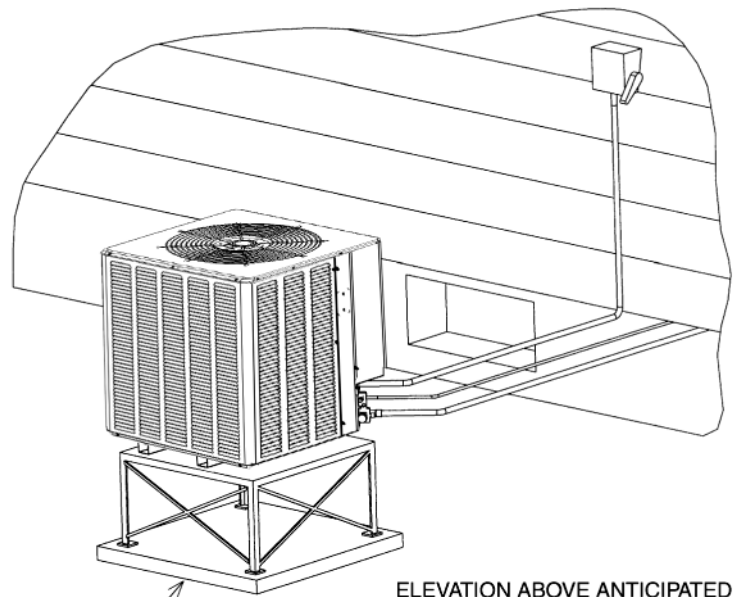
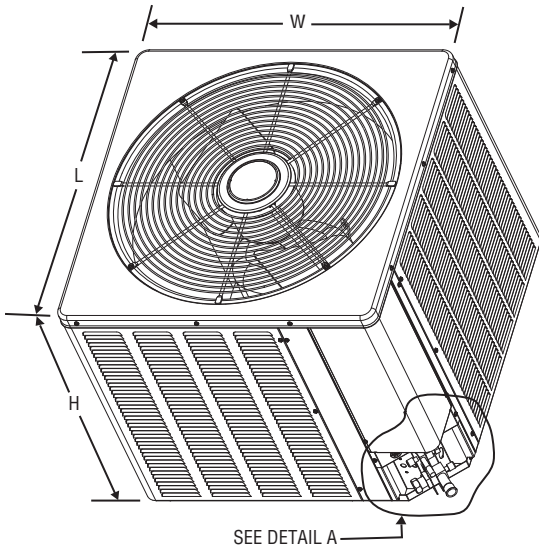
## GENERAL TERMS OF LIMITED WARRANTY

Rheem will furnish a replacement for any part of this product which fails in normal use and service within the applicable periods stated, in accordance with the terms of the limited warranty.

**\*For Complete Details of the Limited Warranty, Including Applicable Terms and Conditions, See Your Local Installer or visit [www.Rheem.com](http://www.Rheem.com).**

Conditional Compressor\*  
(Registration Required) ..... Ten (10) Years  
 Conditional Parts Warranty\*  
(Registration Required) ..... Ten (10) Years  
 Limited Parts ..... Five (5) Years

# Unit Dimensions



## DETAIL A

Model Number 13PJL	Height "H" (Inches) [mm]	Length "L" (Inches) [mm]	Width "W" (Inches) [mm]
18, 24	26 <sup>1</sup> / <sub>4</sub> [666.75]	23 <sup>5</sup> / <sub>8</sub> [600.07]	23 <sup>5</sup> / <sub>8</sub> [600.07]
30	26 <sup>1</sup> / <sub>4</sub> [666.75]	27 <sup>5</sup> / <sub>8</sub> [701.67]	27 <sup>5</sup> / <sub>8</sub> [701.67]
36	27 <sup>3</sup> / <sub>8</sub> [695.32]	31 <sup>5</sup> / <sub>8</sub> [803.27]	31 <sup>5</sup> / <sub>8</sub> [803.27]
42, 48, 60	35 <sup>3</sup> / <sub>8</sub> [898.52]	31 <sup>5</sup> / <sub>8</sub> [803.27]	31 <sup>5</sup> / <sub>8</sub> [803.27]

[ ] Designates Metric Conversions

# Heat Pump Refrigerant Line Size Information

System Capacity	Line Size Connection Size (Inch I.D.) [mm]	Line Size (Inch O.D.) [mm]	Liquid Line Sizing (R410A)					
			Outdoor Unit Above or Below Indoor Coil (Heat Pumps Only)					
			Total Equivalent Length—Feet [m]					
			25 [7.62]	50 [15.24]	75 [22.86]	100 [30.48]	125 [38.10]	150 [45.72]
Maximum Vertical Separation—Feet [m]								
1 1/2 Ton	3/8" [9.53]	1/4 [6.35]	25 [7.62]	40 [12.19]	25 [7.62]	9 [2.74]	N/A	N/A
		5/16 [7.94]	25 [7.62]	50 [15.24]	62 [18.90]	58 [17.68]	53 [16.15]	49 [14.94]
		3/8* [9.53]	25 [7.62]	50 [15.24]	75 [22.86]	72 [21.95]	70 [21.34]	68 [20.73]
2 Ton	3/8" [9.53]	1/4 [6.35]	23 [7.01]	N/A	N/A	N/A	N/A	N/A
		5/16 [7.94]	25 [7.62]	36 [10.97]	29 [8.84]	23 [7.01]	16 [4.88]	9 [2.74]
		3/8* [9.53]	25 [7.62]	50 [15.24]	72 [21.95]	70 [21.34]	68 [20.73]	65 [19.81]
2 1/2 Ton	3/8" [9.53]	1/4 [6.35]	25 [7.62]	N/A	N/A	N/A	N/A	N/A
		5/16 [7.94]	25 [7.62]	49 [14.94]	38 [11.58]	27 [8.23]	17 [5.18]	6 [1.83]
		3/8* [9.53]	25 [7.62]	50 [15.24]	68 [20.73]	65 [19.81]	62 [18.90]	58 [17.68]
3 Ton	3/8" [9.53]	5/16 [7.94]	25 [7.62]	50 [15.24]	37 [11.28]	22 [6.71]	7 [2.13]	N/A
		3/8* [9.53]	25 [7.62]	50 [15.24]	68 [20.73]	63 [19.20]	58 [17.68]	53 [16.15]
3 1/2 Ton	3/8" [9.53]	5/16 [7.94]	25 [7.62]	23 [7.01]	4 [1.22]	N/A	N/A	N/A
		3/8* [9.53]	25 [7.62]	50 [15.24]	43 [13.11]	36 [10.97]	30 [9.14]	24 [7.32]
4 Ton	3/8" [9.53]	3/8* [9.53]	25 [7.62]	46 [14.02]	38 [11.58]	30 [9.14]	22 [6.71]	15 [4.57]
		1/2 [12.7]	25 [7.62]	50 [15.24]	56 [17.07]	55 [16.76]	53 [16.15]	52 [15.85]
5 Ton	3/8" [9.53]	3/8* [9.53]	25 [7.62]	50 [15.24]	56 [17.07]	44 [13.41]	32 [9.75]	20 [6.10]
		1/2 [12.7]	25 [7.62]	50 [15.24]	75 [22.86]	81 [24.69]	79 [24.08]	76 [23.16]

**NOTES:**

\*Standard line size

N/A = Application not recommended.

Suction Line Length/Size versus Capacity Multiplier (R-410A)								
Unit Size	1 1/2 Ton	2 Ton	2 1/2 Ton	3 Ton	3 1/2 Ton	4 Ton	5 Ton	
Suction Line Connection Size	3/4" [19.05] I.D.			7/8" [22.23] I.D.				
Suction Line Run—Feet [m]	5/8" [15.88 mm] O.D. Opt. 3/4" [19.05 mm] O.D. Std.*	5/8" [15.88 mm] O.D. Opt. 3/4" [19.05 mm] O.D. Std.* 7/8" [22.23 mm] O.D. Opt.	3/4" [19.05 mm] O.D. Opt. 7/8" [22.23 mm] O.D. Std.*	7/8" [22.23 mm] O.D. Opt. 1 1/8" [28.58 mm] O.D. Std.*				
25' [7.62]	Optional Standard Optional	1.00 1.00 —	1.00 1.00 —	1.00 1.00 1.00	1.00 1.00 —	1.00 1.00 —	1.00 1.00 —	1.00 1.00 —
50' [15.24]	Optional Standard Optional	0.98 0.99 —	0.98 0.99 —	0.96 0.98 0.99	0.98 0.99 —	0.99 0.99 —	0.99 0.99 —	0.99 0.99 —
100' [30.48]	Optional Standard Optional	0.95 0.96 —	0.95 0.96 —	0.94 0.96 0.97	0.96 0.97 —	0.96 0.98 —	0.96 0.98 —	0.97 0.98 —
150' [45.72]	Optional Standard Optional	0.92 0.93 —	0.92 0.94 —	0.91 0.93 0.95	0.94 0.95 —	0.94 0.96 —	0.95 0.96 —	0.94 0.97 —

**NOTES:**

\*Standard line size

N/A = Using suction line larger than shown in chart will result in poor oil return and is not recommended.

[ ] Designates Metric Conversions

**Before proceeding with installation, refer to installation instructions packaged with each model, as well as complying with all Federal, State, Provincial, and Local codes, regulations, and practices.**

**Rheem Heating,  
Cooling and  
Water Heating**

P.O. Box 17010, Fort Smith, AR 72917



*"In keeping with its policy of continuous progress and product improvement, Rheem reserves the right to make changes without notice."*