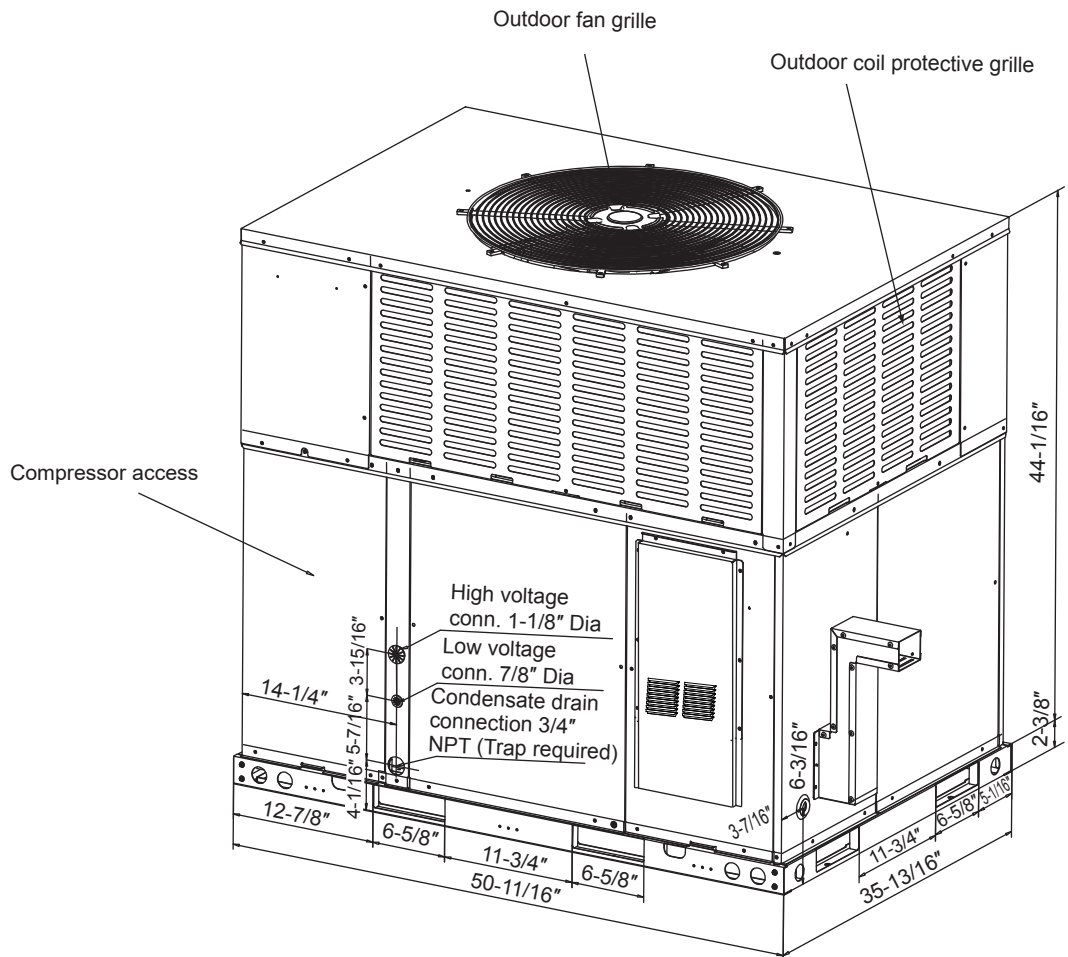
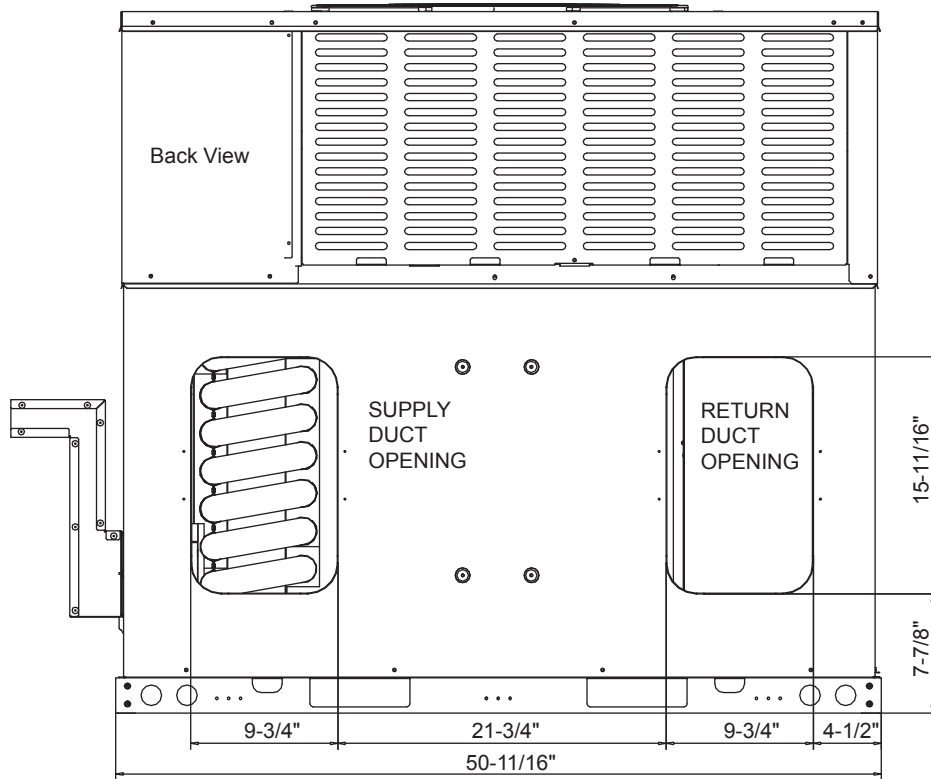
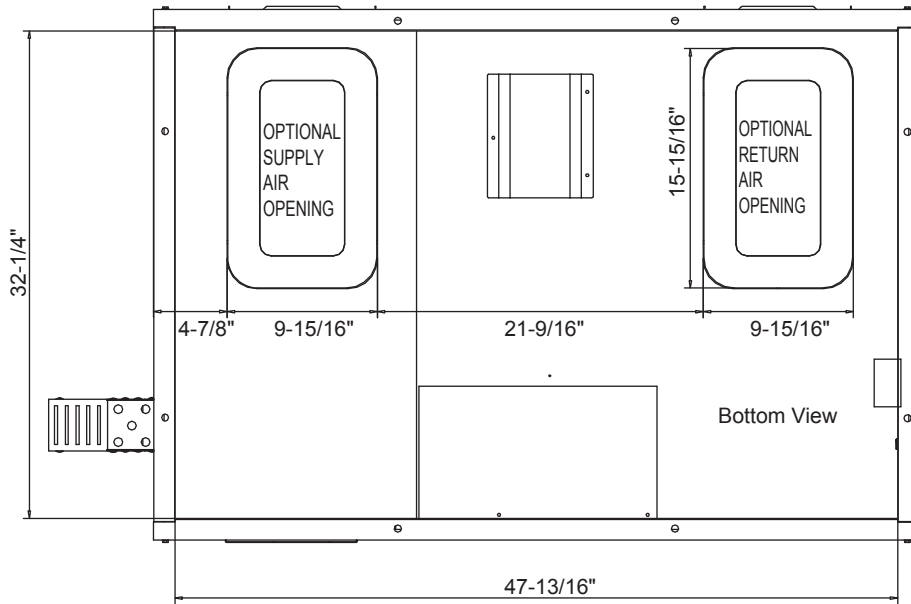


TAG: _____

SUBMITTAL

2.0 Ton
High-Efficiency Gas Package Unit
J4PG4024B1060AA





Dimensions Back and Bottom

PRODUCT SPECIFICATIONS

Specifications

MODEL	J4PG4024B1060AA
POWER CONNS. - V/PH/HZ	208/230/1/60
RATED CURRENT	14
MAXIMUM OVER PROTECTOR	20
SOUND POWER LEVEL [dB(A)]	53.2
GAS HEATING PERFORMANCE	
HEATING INPUT (Btu)	60,000
HEATING OUTPUT (Btu)	48,000
TEMP. RISE RANGE (°F)	35-65
AFUE (%)	81
GAS CONNS. PIPE SIZE	1/2
COMPRESSOR	ROTARY
NO. USED- NO. SPEEDS	1-1
VOLTS/PH/HZ	208/230/1/60
R.L. AMPS- L.R. AMPS	8.8 - 34.8
CONDENSER FAN	
DIA. (IN.)	23.5
TYPE DRIVE- NO. SPEEDS	DIRECT - 3
MOTOR HP	1/7
MOTOR SPEED R.P.M.	1075
VOLTS/PH/HZ	208/230/1/60
F.L. AMPS	0.8
CONDENSER COIL	Copper tube
ROWS- F.P.I.	1.5-17
FACE AREA (SQ. FT.)	14.11
TUBE SIZE (IN.)	9/32

EVAPORATOR FAN	
DRIVE- NO. SPEEDS	DIRECT - 3
CFM VS. IN. WG.	See Fan Performance Table
MOTOR HP	1/5
MOTOR SPEED R.P.M.	1075
VOLTS/PH/HZ	208/230/1/60
F.L. AMPS	1.7
EVAPORATOR COIL	
ROWS- F.P.I.	2- 17
FACE AREA (SQ. FT.)	3.96
TUBE SIZE (IN.)	9/32
REFRIGERANT CONTROL	ORIFICE
REFRIGERANT	
LBS. - R-410	4 LBS. - 13.6 OZ.
DIMENSIONS	
CRATED (IN.)	50-11/16X46-13/16X35-1/16
WEIGHT	
SHIPPING (LBS.)	455.4
NET (LBS.)	433.4

Fan Performance Table

Model Number	Motor Speed	External Static Pressure-Inches W.C.[kPa]									
			0[0]	0.1[.02]	0.2[.05]	0.3[.07]	0.4[.10]	0.5[.12]	0.6[.15]	0.7[.17]	0.8[.20]
24	Low	CFM	900	840	760	680	600	/	/	/	/
		Current/A	1.0	1.0	1.0	1.0	1.0	/	/	/	/
		Power/W	234	230	227	223	220	/	/	/	/
	Middle	CFM	/	/	/	890	798	708	618	/	/
		Current/A	/	/	/	1.4	1.4	1.35	1.3	/	/
		Power/W	/	/	/	318	312	306	300	/	/
	High	CFM	/	/	/	/	920	830	745	670	600
		Current/A	/	/	/	/	1.8	1.8	1.7	1.7	1.7
		Power/W	/	/	/	/	396	389	383	375	370

Features

- Single-stage gas (LP conversion kit provided with each unit) heating.
- Bottom or side air return.
- Aluminized steel tubular heat exchanger.
- Quiet multi-speed circulation blower.
- Direct spark ignition
- AHRI certified and ETL listed.
- Suitable for Manufactured/Mobile Home Use.



The manufacturer has a policy of continuous product and product data improvement and it reserves the right to change design and specification without notice.

BX-PRQ-J4PG4024B1060A-1A

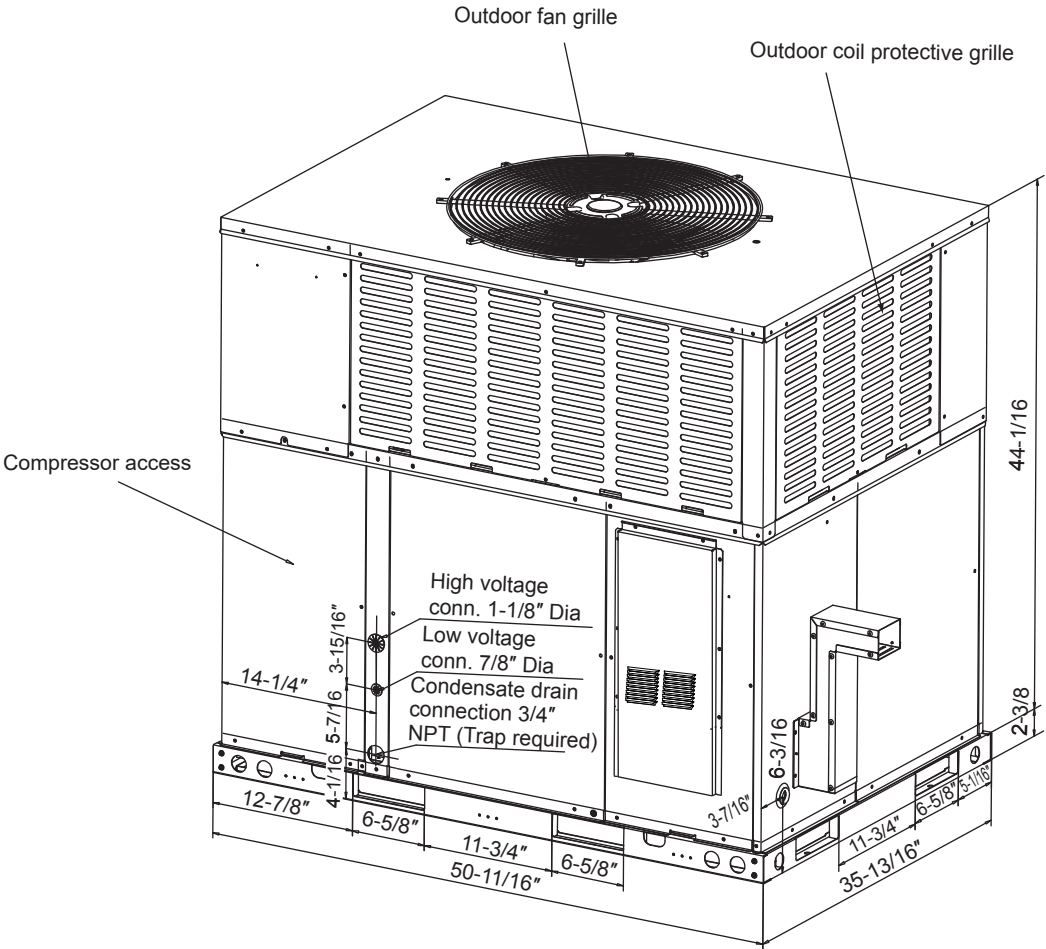


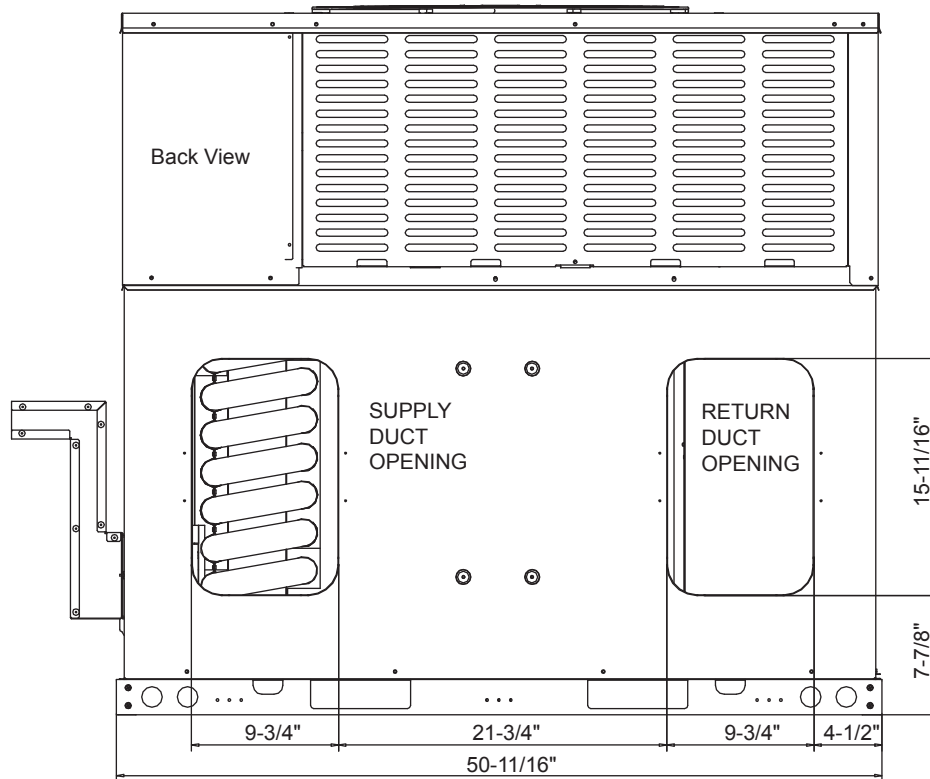
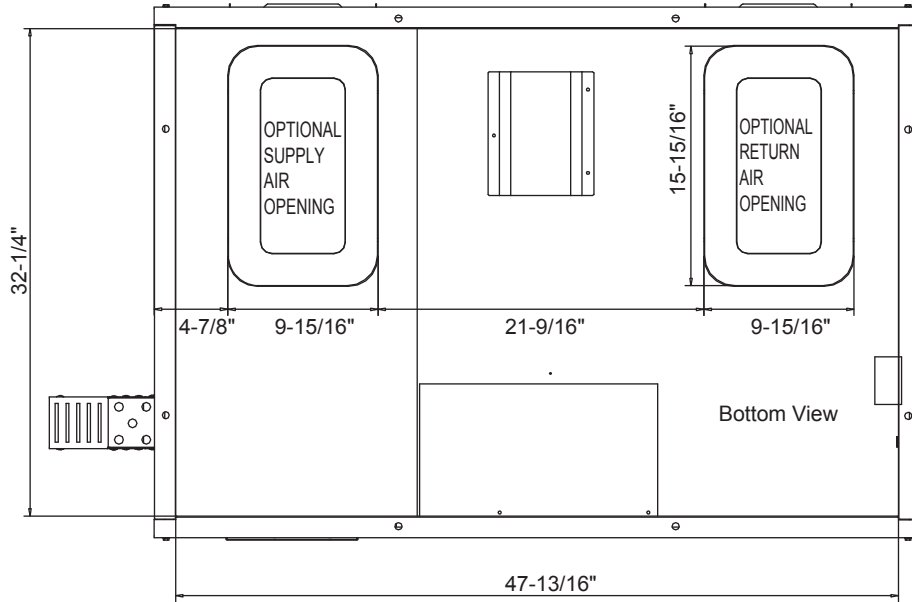
J4PG4030B1060AA

TAG: _____

SUBMITTAL

2.5 Ton
High-Efficiency Gas Package Unit
J4PG4030B1060AA





Dimensions Back and Bottom

PRODUCT SPECIFICATIONS

Specifications

MODEL	J4PG4030B1060AA
POWER CONNS. - V/PH/HZ RATED	208/230/1/60
CURRENT	15.5
MAXIMUM OVER PROTECTOR	25
SOUND POWER LEVEL[dB(A)]	57.8
GAS HEATING PERFORMANCE	
HEATING INPUT (Btu)	60,000
HEATING OUTPUT (Btu)	48,000
TEMP. RISE RANGE (°F)	30-60
AFUE (%)	81
GAS CONNS. PIPE SIZE	1/2 NPT
COMPRESSOR	ROTARY
NO. USED- NO. SPEEDS	1-1
VOLTS/PH/HZ	208/230/1/60
R.L. AMPS- L.R. AMPS	10.3 - 65.2
CONDENSER FAN	
DIA. (IN.)	23.6
TYPE DRIVE- NO. SPEEDS	DIRECT - 1
MOTOR HP	1/6
MOTOR SPEED R.P.M.	825
VOLTS/PH/HZ	208/230/1/60
F.L. AMPS	0.8
CONDENSER COIL	Copper tube
ROWS- F.P.I.	2.5-17
FACE AREA (SQ. FT.)	14.11
TUBE SIZE (IN.)	9/32

EVAPORATOR FAN	
DRIVE- NO. SPEEDS	DIRECT - 3
CFM VS. IN. WG.	See Fan Performance Table
MOTOR HP	1/4
MOTOR SPEED R.P.M.	1075
VOLTS/PH/HZ	208/230/1/60
F.L. AMPS	2.0
EVAPORATOR COIL	
ROWS- F.P.I.	4 - 17
FACE AREA (SQ. FT.)	3.96
TUBE SIZE (IN.)	3/8
REFRIGERANT CONTROL	ORIFICE
REFRIGERANT	
LBS. - R-410	6 LBS. - 3 OZ.
DIMENSIONS	
CRATED (IN.)	50-11/16X46-13/16X35-1/16
WEIGHT	
SHIPPING (LBS.)	488.4
NET (LBS.)	466.4

Fan Performance Table

Model Number	Motor Speed	External Static Pressure-Inches W.C.[kPa]									
			0[0]	0.1[.02]	0.2[.05]	0.3[.07]	0.4[.10]	0.5[.12]	0.6[.15]	0.7[.17]	0.8[.20]
30	Low	CFM	1110	1044	977	916	813	/	/	/	/
		Current/A	1.5	1.4	1.4	1.4	1.3	/	/	/	/
		Power/W	336	328	321	309	289	/	/	/	/
	Middle	CFM	/	1179	1106	1039	966	851	758	/	/
		Current/A	/	1.5	1.5	1.4	1.4	1.3	1.3	/	/
		Power/W	/	345	337	328	319	298	289	/	/
	High	CFM	/	/	/	/	1111	1031	864	786	750
		Current/A	/	/	/	/	1.8	1.8	1.7	1.7	1.62
		Power/W	/	/	/	/	401	390	364	356	347

Features

- Single-stage gas (LP conversion kit provided with each unit) heating.
- Bottom or side air return.
- Aluminized steel tubular heat exchanger.
- Quiet multi-speed circulation blower.
- Direct spark ignition
- AHRI certified and ETL listed.
- Suitable for Manufactured/Mobile Home Use.

OXBOX[™]
A TRANE® BRAND



The manufacturer has a policy of continuous product and product data improvement and it reserves the right to change design and specification without notice.

BX-PRQ-J4PG4030B1060A-1A

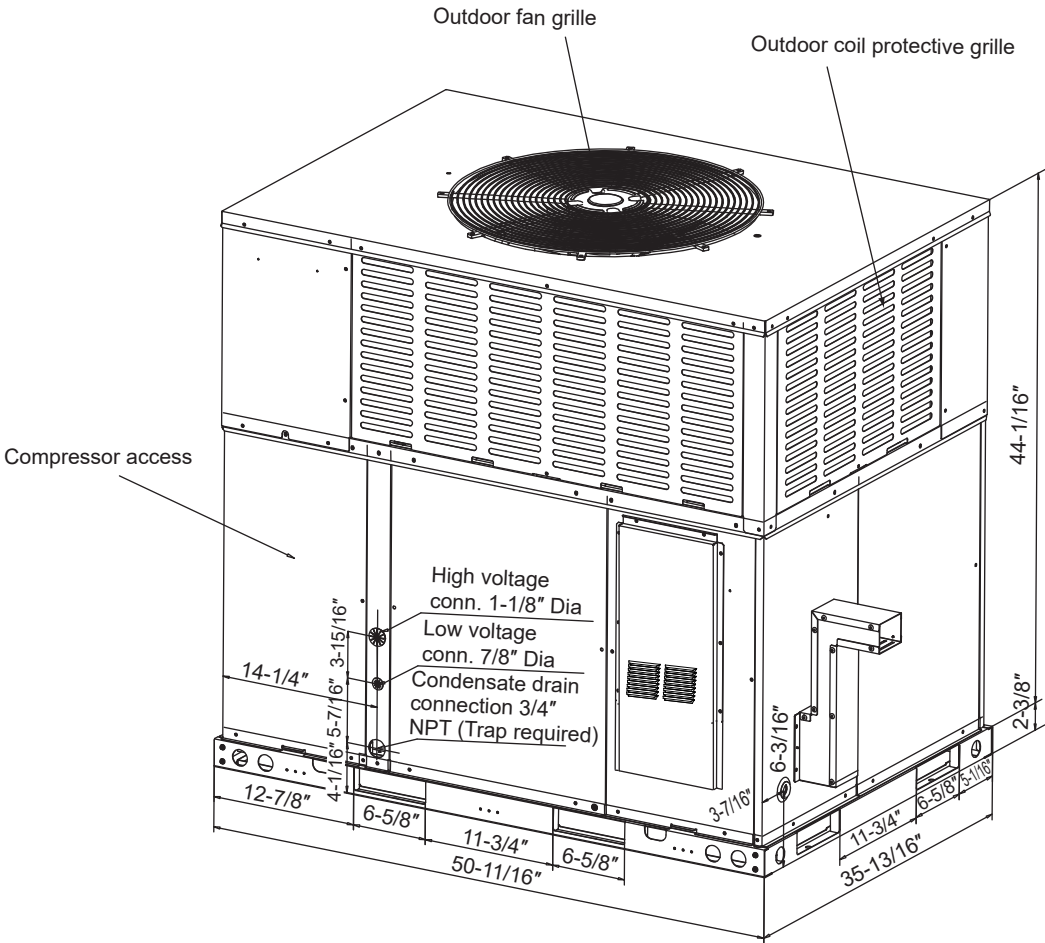


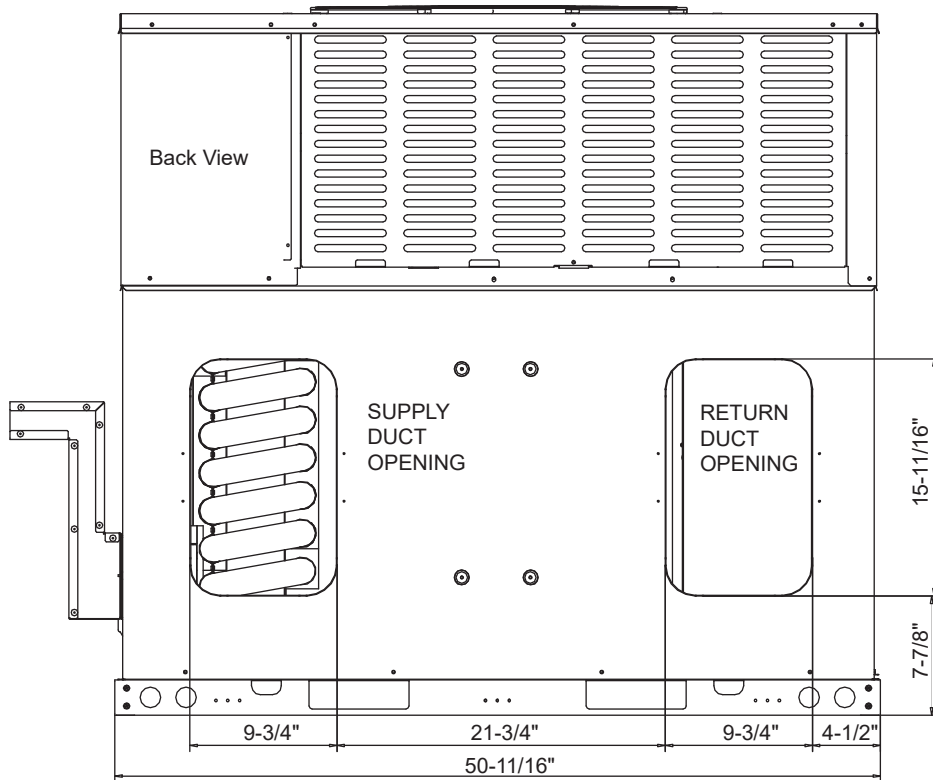
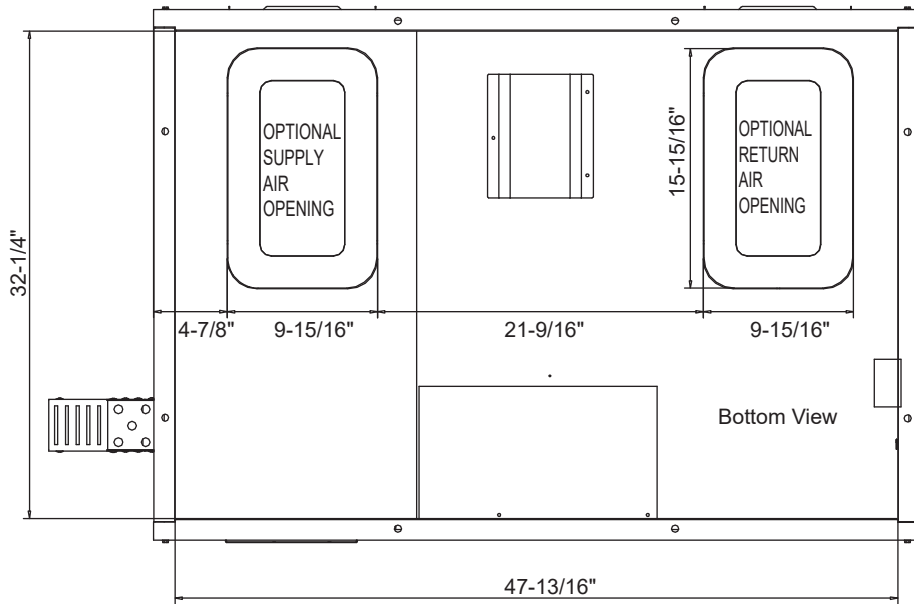
J4PG4036B1090AA

TAG: _____

SUBMITTAL

3.0 Ton
High-Efficiency Gas Package
Unit J4PG4036B1090AA





Dimensions Back and Bottom

PRODUCT SPECIFICATIONS

Specifications

MODEL	J4PG4036B1090AA
POWER CONNS. - V/PH/HZ	208/230/1/60
RATED CURRENT	20.2
MAXIMUM OVER PROTECTOR	35
SOUND POWER LEVEL[dB(A)]	60
GAS HEATING PERFORMANCE	
HEATING INPUT (Btu)	90,000
HEATING OUTPUT (Btu)	72,000
TEMP. RISE RANGE (°F)	35-65
AFUE (%)	81
GAS CONNS. PIPE SIZE	1/2NPT
COMPRESSOR	
NO. USED- NO. SPEEDS	1-1
VOLTS/PH/HZ	208/230/1/60
R.L. AMPS- L.R. AMPS	14.0 - 72.0
CONDENSER FAN	
DIA. (IN.)	23.6
TYPE DRIVE- NO. SPEEDS	DIRECT - 1
MOTOR HP	1/6
MOTOR SPEED R.P.M.	825
VOLTS/PH/HZ	208/230/1/60
F.L. AMPS	0.94
CONDENSER COIL	
ROWS- F.P.I.	2 - 17
FACE AREA (SQ. FT.)	14.11
TUBE SIZE (IN.)	9/32

EVAPORATOR FAN	
DRIVE- NO. SPEEDS	DIRECT - 5
CFM VS. IN. WG.	See Fan Performance Table
MOTOR HP	1/2
MOTOR SPEED R.P.M.	1050
VOLTS/PH/HZ	208/230/1/60
F.L. AMPS	3.56
EVAPORATOR COIL	
ROWS- F.P.I.	4 - 17
FACE AREA (SQ. FT.)	3.96
TUBE SIZE (IN.)	9/32
REFRIGERANT CONTROL	ORIFICE
REFRIGERANT	
LBS. - R-410	6 LBS. - 10 OZ.
DIMENSIONS	
CRATED (IN.)	50-11/16X46-13/16X35-1/16
WEIGHT	
SHIPPING (LBS.)	484
NET (LBS.)	462

Fan Performance Table

Model Number	Motor Speed	External Static Pressure-Inches W.C.[kPa]									
			0[0]	0.1[.02]	0.2[.05]	0.3[.07]	0.4[.10]	0.5[.12]	0.6[.15]	0.7[.17]	0.8[.20]
36	Low (Tap1)	CFM	1050	903	/	/	/	/	/	/	/
		Current/A	1.2	1.2	/	/	/	/	/	/	/
		Power/W	129	135	/	/	/	/	/	/	/
	Middle-1 (Tap2)	CFM	1200	1059	988	927	/	/	/	/	/
		Current/A	1.6	1.6	1.7	1.7	/	/	/	/	/
		Power/W	200	206	212	220	/	/	/	/	/
	Middle-2 (Tap3)	CFM	1294	1233	1177	1109	1035	967	919	/	/
		Current/A	2.3	2.4	2.4	2.4	2.5	2.6	2.6	/	/
		Power/W	262	268	274	281	292	299	305	/	/
	Middle-3 (Tap4)	CFM	/	1350	1313	1240	1197	1106	1027	953	900
		Current/A	/	2.8	2.9	3.0	3.0	3.1	3.0	3.0	3.0
		Power/W	/	344	353	357	365	374	366	356	347
	High (Tap5)	CFM	/	/	/	1350	1338	1288	1217	1100	1050
		Current/A	/	/	/	3.7	3.8	3.8	3.9	3.5	3.1
		Power/W	/	/	/	465	468	478	481	436	400

Features

- Single-stage gas (LP conversion kit provided with each unit) heating.
- Bottom or side air return.
- Aluminized steel tubular heat exchanger.
- Quiet multi-speed circulation blower.
- Direct spark ignition
- AHRI certified and ETL listed.
- Suitable for Manufactured/Mobile Home Use.



The manufacturer has a policy of continuous product and product data improvement and it reserves the right to change design and specification without notice.

BX-PRQ-J4PG4036B1090A-1A

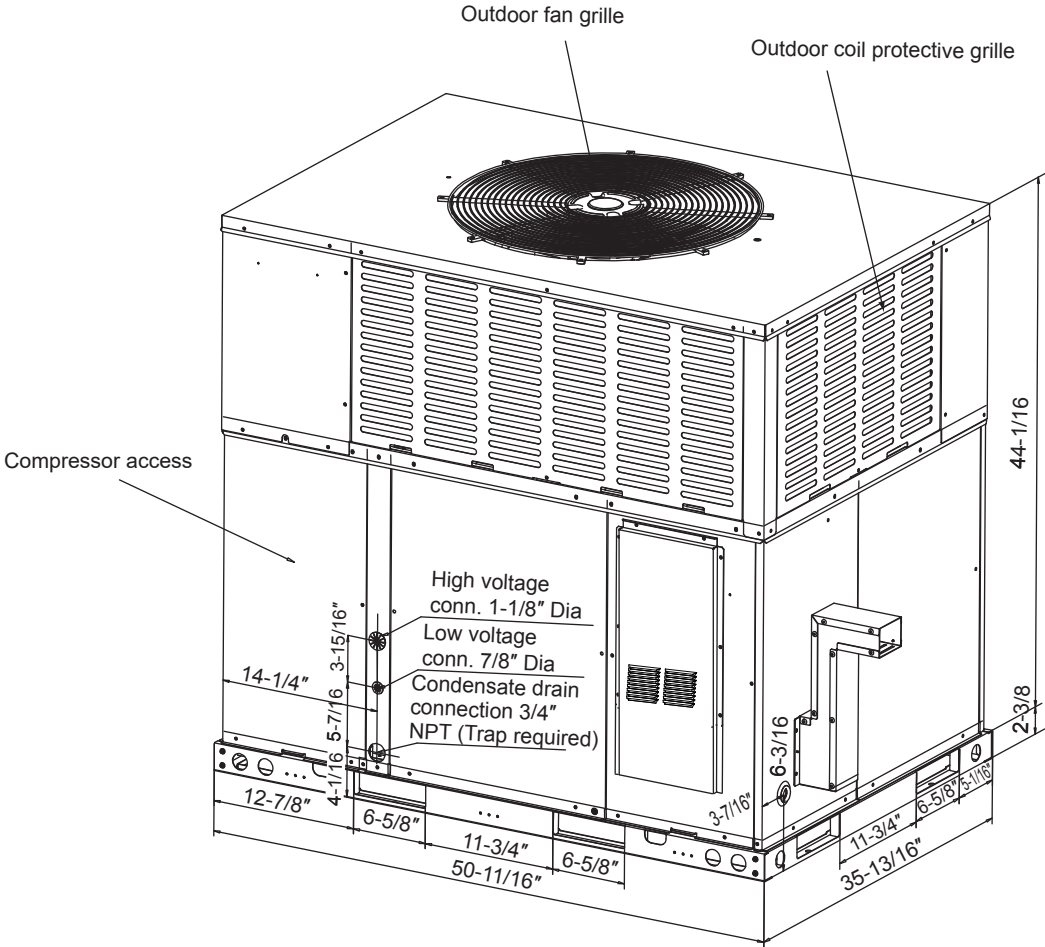


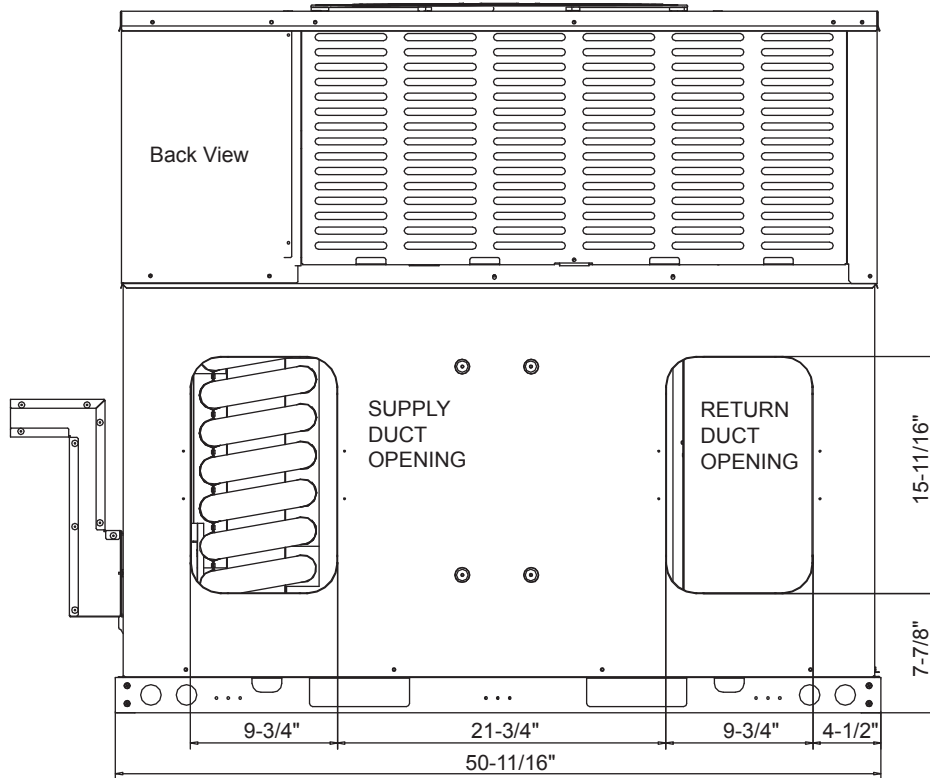
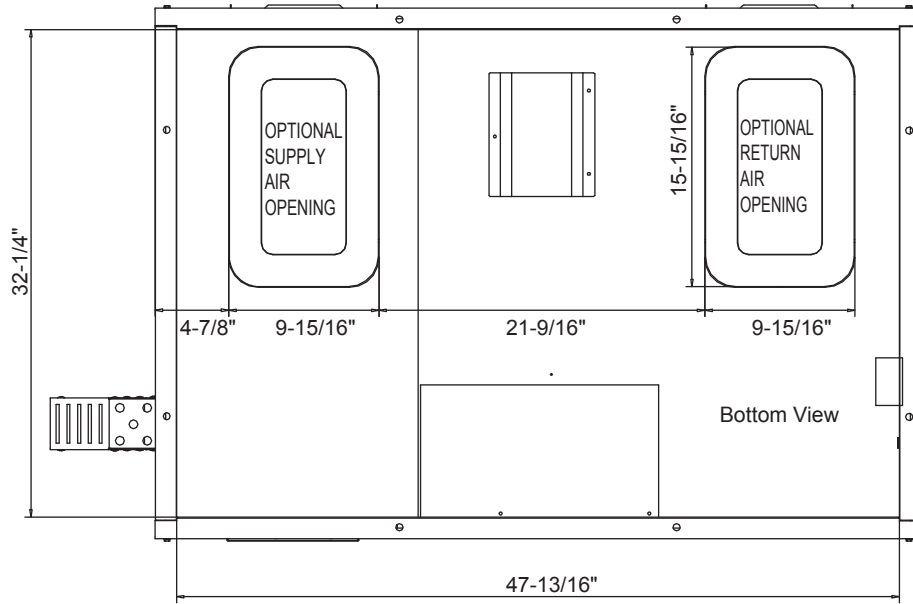
J4PG4042B1090AA

TAG: _____

SUBMITTAL

3.5 Ton
High-Efficiency Gas Package Unit
J4PG4042B1090AA





Dimensions Back and Bottom

PRODUCT SPECIFICATIONS

Specifications

MODEL	J4PG4042B1090AA
POWER CONNS. - V/PH/HZ	208/230/1/60
RATED CURRENT	27.8
MAXIMUM OVER PROTECTOR	45
SOUND POWER LEVEL[dB(A)]	66
GAS HEATING PERFORMANCE	
HEATING INPUT (Btu)	90,000
HEATING OUTPUT (Btu)	72,000
TEMP. RISE RANGE (°F)	30-60
AFUE (%)	81
GAS CONNS. PIPE SIZE	1/2NPT
COMPRESSOR	SCROLL
NO. USED- NO. SPEEDS	1-1
VOLTS/PH/HZ	208/230/1/60
R.L. AMPS- L.R. AMPS	16 - 112.3
CONDENSER FAN	
DIA. (IN.)	23.6
TYPE DRIVE- NO. SPEEDS	DIRECT - 1
MOTOR HP	1/6
MOTOR SPEED R.P.M.	825
VOLTS/PH/HZ	208/230/1/60
F.L. AMPS	0.8
CONDENSER COIL	Copper tube
ROWS- F.P.I.	2.5-17
FACE AREA (SQ. FT.)	14.11
TUBE SIZE (IN.)	9/32

EVAPORATOR FAN	
DRIVE- NO. SPEEDS	DIRECT - 5
CFM VS. IN. WG.	See Fan Performance Table
MOTOR HP	1/2
MOTOR SPEED R.P.M.	1050
VOLTS/PH/HZ	208/230/1/60
F.L. AMPS	3.56
EVAPORATOR COIL	
ROWS- F.P.I.	4 - 17
FACE AREA (SQ. FT.)	3.96
TUBE SIZE (IN.)	9/32
REFRIGERANT CONTROL	ORIFICE
REFRIGERANT	
LBS. - R-410	7 LBS. - 8 OZ.
DIMENSIONS	
CRATED (IN.)	50-11/16X46-13/16X35-1/16
WEIGHT	
SHIPPING (LBS.)	519.2
NET (LBS.)	497.2

Fan Performance Table

Model Number	Motor Speed	External Static Pressure-Inches W.C.[kPa]									
			0[0]	0.1[.02]	0.2[.05]	0.3[.07]	0.4[.10]	0.5[.12]	0.6[.15]	0.7[.17]	0.8[.20]
42	Low (Tap1)	CFM	1050	/	/	/	/	/	/	/	/
		Current/A	1.2	/	/	/	/	/	/	/	/
		Power/W	129	/	/	/	/	/	/	/	/
	Middle-1 (Tap2)	CFM	1200	/	/	/	/	/	/	/	/
		Current/A	1.6	/	/	/	/	/	/	/	/
		Power/W	200	/	/	/	/	/	/	/	/
	Middle-2 (Tap3)	CFM	1294	1233	/	/	/	/	/	/	/
		Current/A	2.3	2.4	/	/	/	/	/	/	/
		Power/W	262	268	/	/	/	/	/	/	/
	Middle-3 (Tap4)	CFM	1427	1350	1313	1240	1200	/	/	/	/
		Current/A	2.8	2.8	2.9	3.0	3.0	/	/	/	/
		Power/W	340	344	353	357	365	/	/	/	/
	High (Tap5)	CFM	1530	1490	1439	1350	1338	1288	1217	1100	1050
		Current/A	3.6	3.7	3.7	3.7	3.8	3.8	3.9	3.5	3.1
		Power/W	451	457	463	465	468	478	481	436	400

Features

- Single-stage gas (LP conversion kit provided with each unit) heating.
- Bottom or side air return.
- Aluminized steel tubular heat exchanger.
- Quiet multi-speed circulation blower.
- Direct spark ignition
- AHRI certified and ETL listed.
- Suitable for Manufactured/Mobile Home Use.



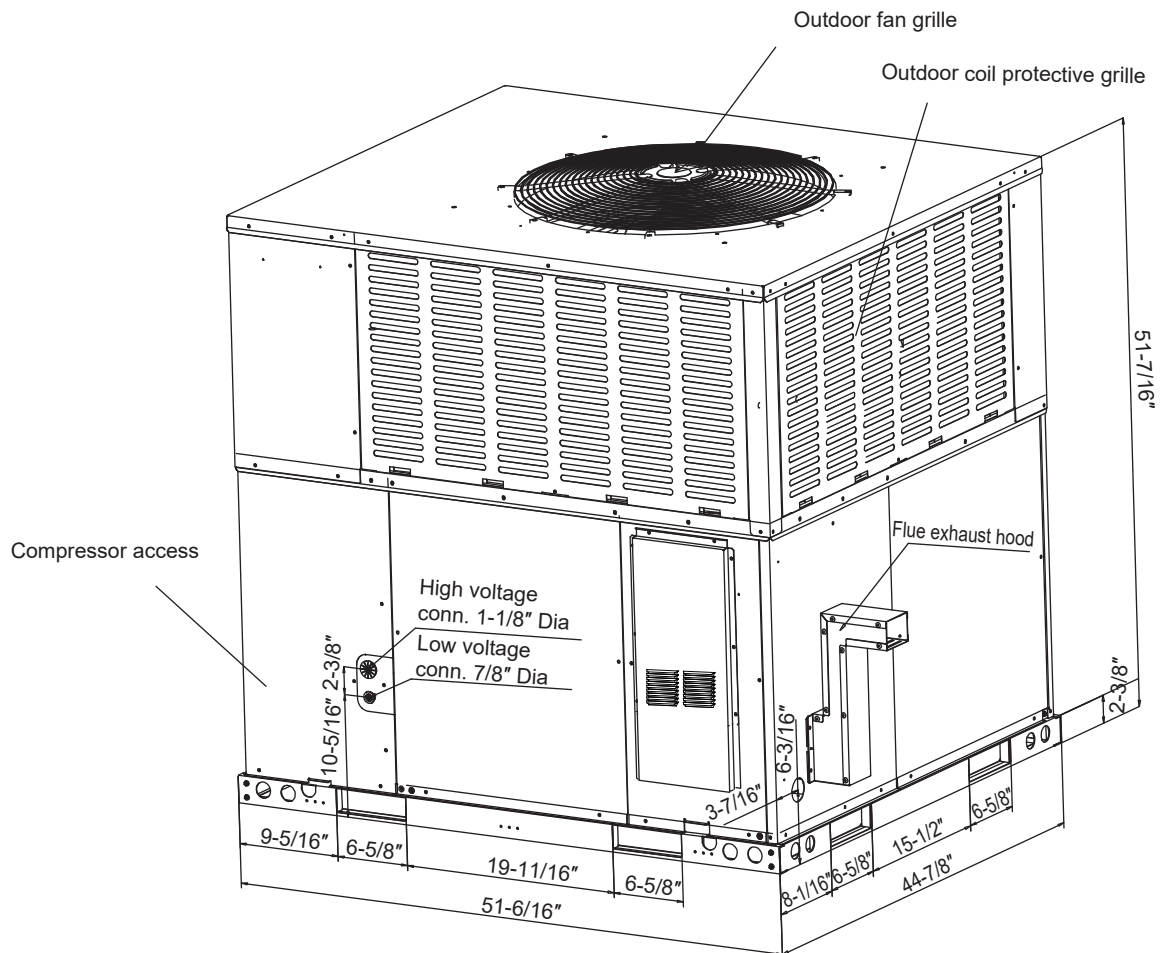
The manufacturer has a policy of continuous product and product data improvement and it reserves the right to change design and specification without notice.

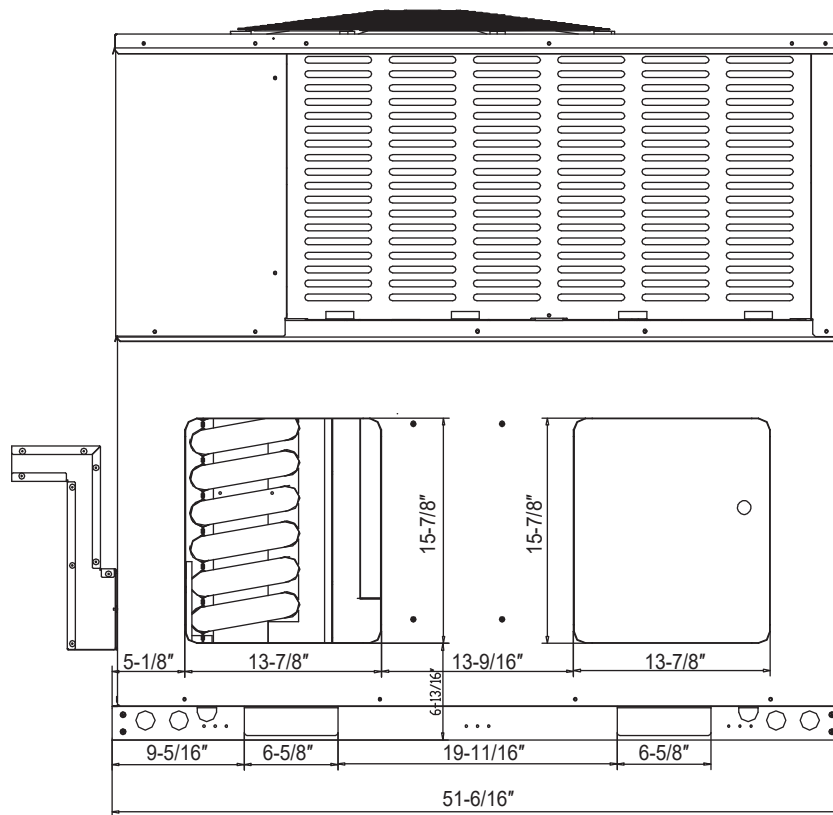
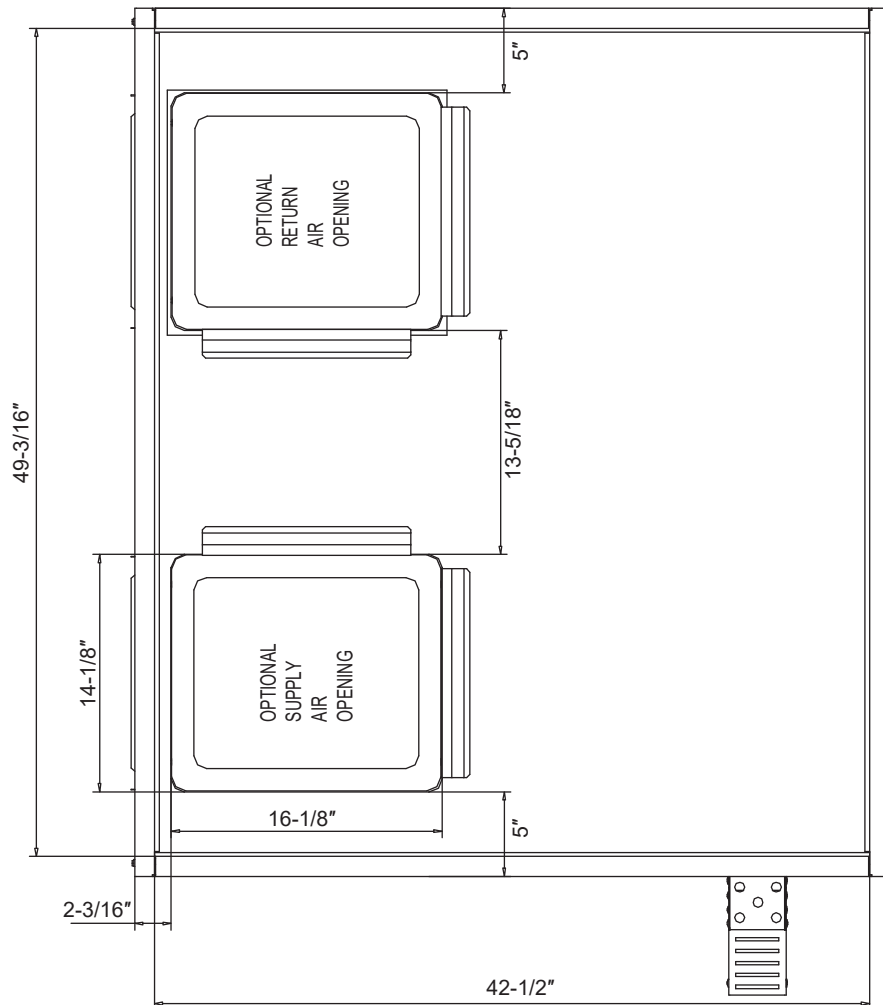
BX-PRQ-J4PG4042B1090A-1A

TAG: _____

SUBMITTAL

4.0 Ton
High-Efficiency Gas Package Unit
J4PG4048B1090AA





Dimensions Back and Bottom

Features

- Single-stage gas (LP conversion kit provided with each unit) heating.
- Bottom or side air return.
- Aluminized steel tubular heat exchanger.
- Quiet multi-speed circulation blower.
- Direct spark ignition.
- AHRI certified and ETL listed.
- Suitable for Manufactured/Mobile Home Use.



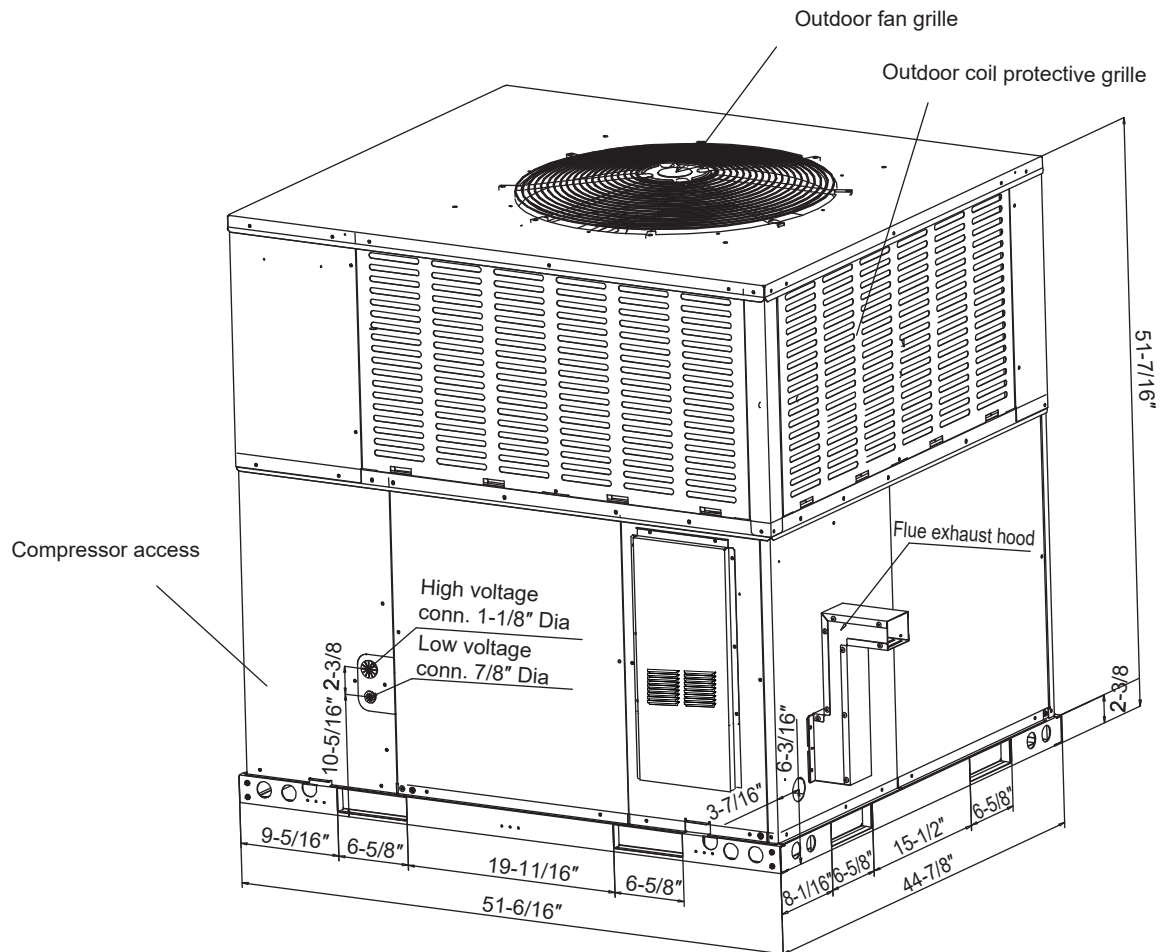
The manufacturer has a policy of continuous product and product data improvement and it reserves the right to change design and specification without notice.

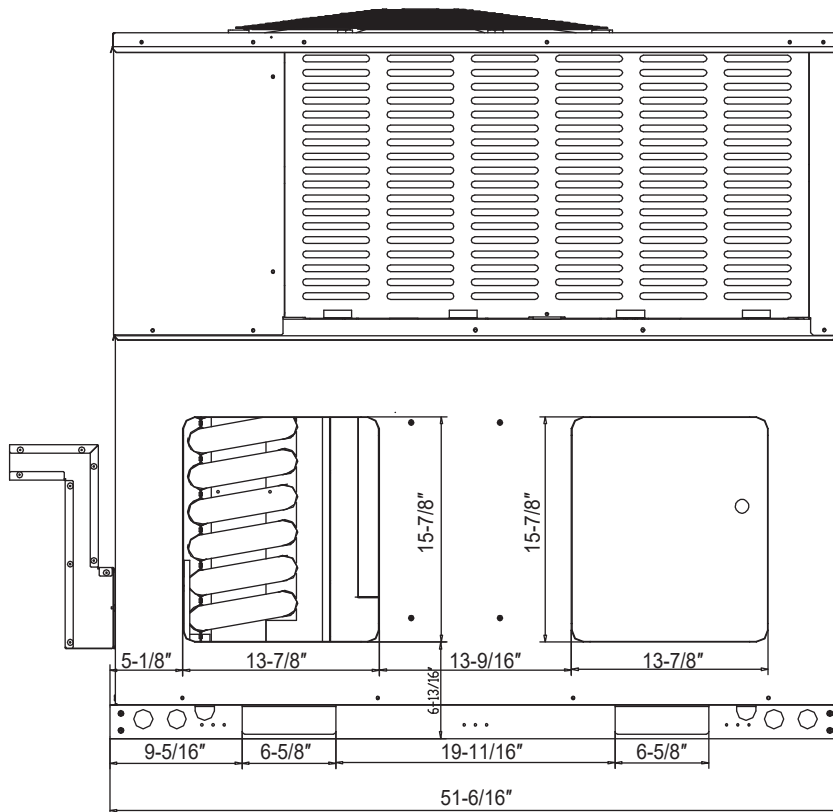
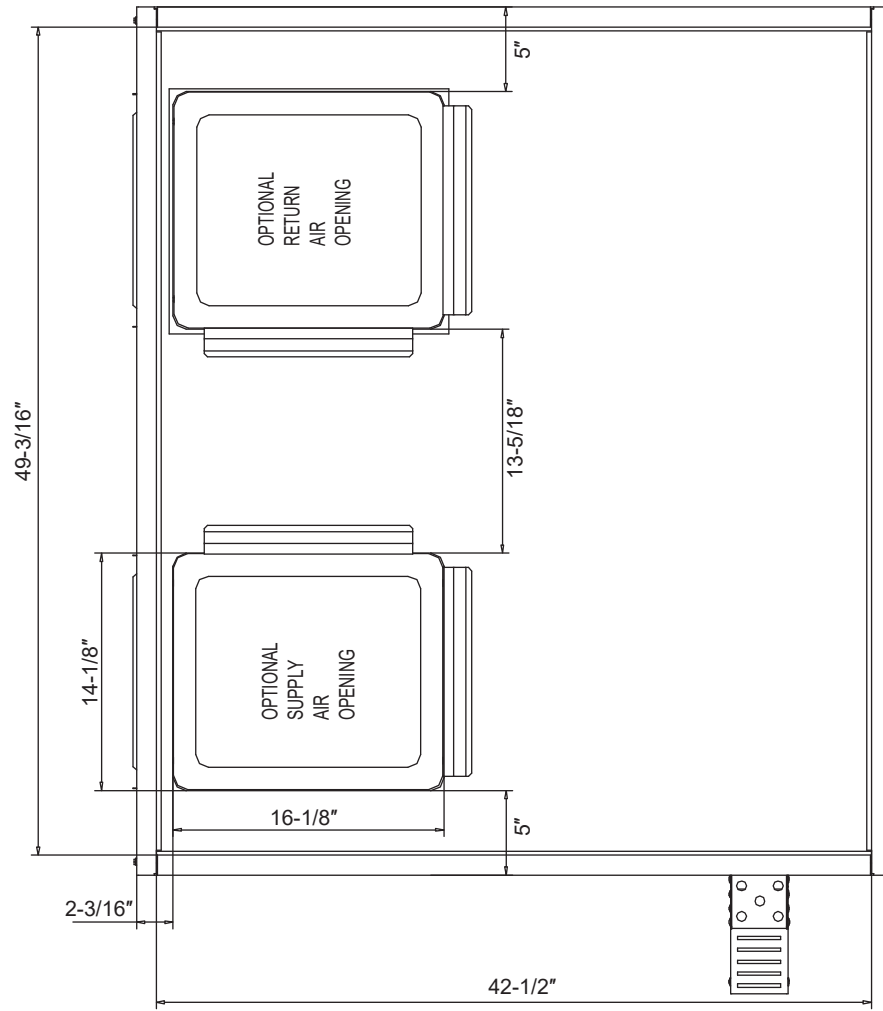
BX-PRQ-J4PG4048B1090A-1A

TAG: _____

SUBMITTAL

5.0 Ton
High-Efficiency Gas Package Unit
J4PG4060B1090AA





Dimensions Back and Bottom

PRODUCT SPECIFICATIONS

Specifications

MODEL	J4PG4060A1090BA
POWER CONNS. - V/PH/HZ	208/230/1/60
RATED CURRENT	35.6
MAXIMUM OVER PROTECTOR	60
SOUND POWER LEVEL[dB(A)]	63
GAS HEATING PERFORMANCE	
HEATING INPUT (Btu)	90,000
HEATING OUTPUT (Btu)	72,000
TEMP. RISE RANGE (°F)	20-50
AFUE (%)	81
GAS CONNS. PIPE SIZE	1/2NPT
COMPRESSOR	SCROLL
NO. USED- NO. SPEEDS	1-1
VOLTS/PH/HZ	208/230/1/60
R.L. AMPS- L.R. AMPS	23.5 - 127.9
CONDENSER FAN	
DIA. (IN.)	26
TYPE DRIVE- NO. SPEEDS	DIRECT - 1
MOTOR HP	1/3
MOTOR SPEED R.P.M.	1080
VOLTS/PH/HZ	208/230/1/60
F.L. AMPS	1.9
CONDENSER COIL	Copper tube
ROWS- F.P.I.	1.5-17
FACE AREA (SQ. FT.)	20.17
TUBE SIZE (IN.)	9/32

EVAPORATOR FAN	
DRIVE- NO. SPEEDS	DIRECT - 5
CFM VS. IN. WG.	See Fan Performance Table
MOTOR HP	3/4
MOTOR SPEED R.P.M.	1050
VOLTS/PH/HZ	208/230/1/60
F.L. AMPS	5.16
EVAPORATOR COIL	
ROWS- F.P.I.	4 - 17
FACE AREA (SQ. FT.)	6.1
TUBE SIZE (IN.)	9/32
REFRIGERANT CONTROL	ORIFICE
REFRIGERANT	
LBS. - R-410	7 LBS. - 15 OZ.
DIMENSIONS	D X H X W
CRATED (IN.)	51-9/16X51-7/16X44-13/16
WEIGHT	
SHIPPING (LBS.)	631.4
NET (LBS.)	591.8

Fan Performance Table

Model Number	Motor Speed	External Static Pressure-Inches W.C.[kPa]									
			0[0]	0.1[.02]	0.2[.05]	0.3[.07]	0.4[.10]	0.5[.12]	0.6[.15]	0.7[.17]	0.8[.20]
60	Middle-1 (Tap2)	CFM	1500	/	/	/	/	/	/	/	/
		Current/A	1.5	/	/	/	/	/	/	/	/
		Power/W	169	/	/	/	/	/	/	/	/
	Middle-2 (Tap3)	CFM	1784	1732	1675	1610	1548	/	/	/	/
		Current/A	2.6	2.7	2.7	2.8	2.9	/	/	/	/
		Power/W	312	321	329	337	347	/	/	/	/
	Middle-3 (Tap4)	CFM	2046	1996	1953	1900	1844	1790	1738	1676	1520
		Current/A	3.7	3.8	3.9	3.9	4.0	4.1	4.2	4.3	4.6
		Power/W	459	471	481	492	503	514	527	538	577
	High (Tap5)	CFM	/	2227	2185	2142	2094	2042	1991	1938	1800
		Current/A	/	5.1	5.2	5.2	5.3	5.4	5.5	5.6	5.7
		Power/W	/	646	658	670	683	695	709	724	735

Features

- Single-stage gas (LP conversion kit provided with each unit) heating.
- Bottom or side air return.
- Aluminized steel tubular heat exchanger.
- Quiet multi-speed circulation blower.
- Direct spark ignition.
- AHRI certified and ETL listed.
- Suitable for Manufactured/Mobile Home Use.



The manufacturer has a policy of continuous product and product data improvement and it reserves the right to change design and specification without notice.

BX-PRQ-J4PG4060B1090A-1A