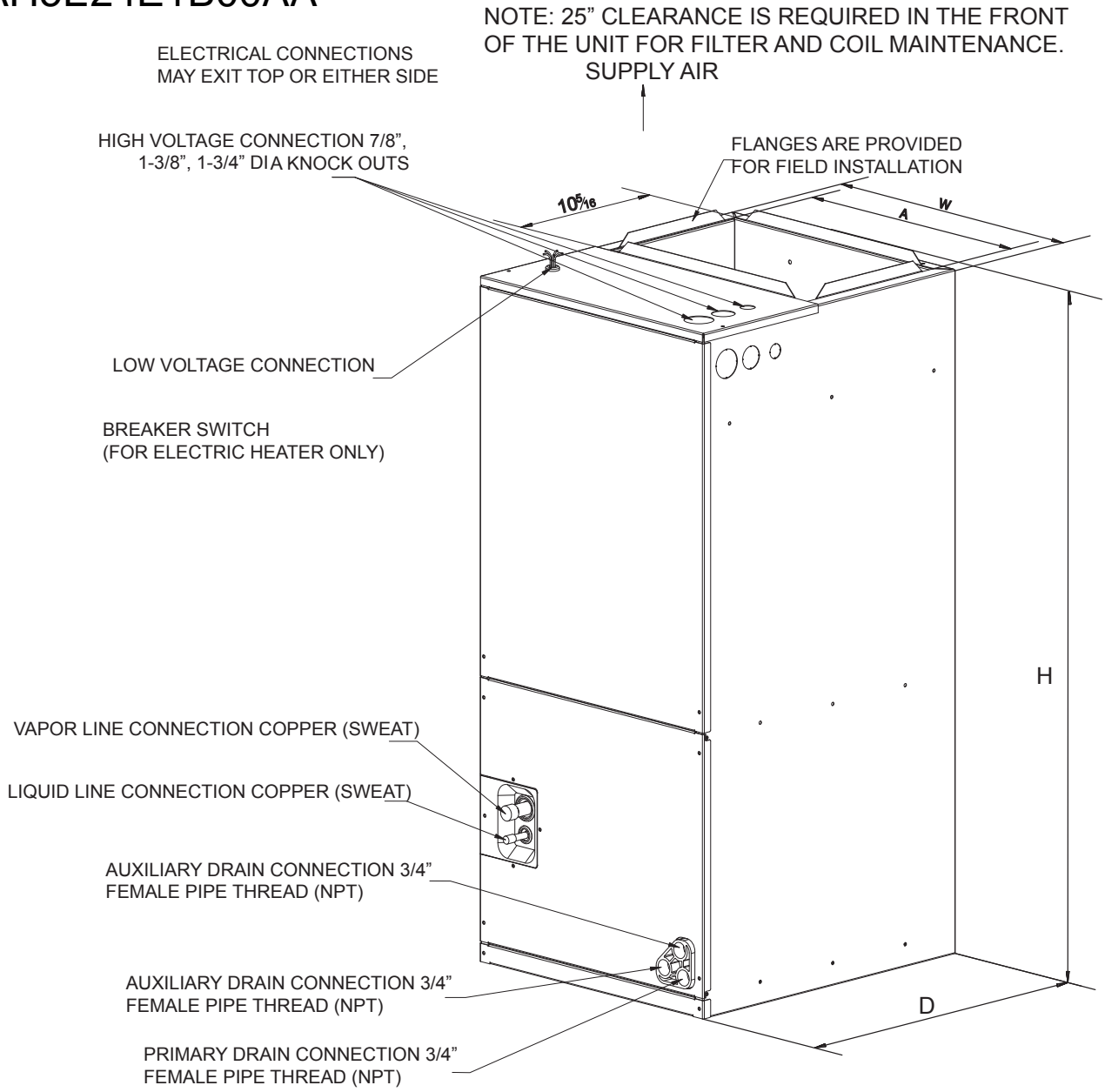


TAG: \_\_\_\_\_

**SUBMITTAL**

**2.0 Ton  
Multi-position Air Handler  
J4AH5E24E1B00AA**



UPFLOW UNIT SHOWN;  
UNIT MAY BE INSTALLED UPFLOW, DOWNFLOW,  
HORIZONTAL RIGHT, OR LEFT AIR SUPPLY.

NOTE: All dimensions are in mm/inches.

Model	H	W	D	A
J4AH5E24E1B00AA	1050 (41-3/8)	460 (18-1/8)	520 (20-1/2)	406 (16)

# PRODUCT SPECIFICATIONS

## PRODUCT SPECIFICATIONS

MODEL	J4AH5E24E1B00AA
RATED VOLTS/PH/HZ.	208-230/1/60
RATINGS	See O.D. Specifications
INDOOR COIL — Type	Plate Fin
Rows — F.P.I.	4 - 17
Face Area (sq. ft.)	3
Tube Size (in.)	9/32
Refrigerant Control	Orifice
Drain Conn. Size (in.)	3/4 NPT
DUCT CONNECTIONS	See Outline Drawing
INDOOR FAN — Type	Centrifugal
Diameter-Width (In.)	10-5/8 X 8-1/8
No. Used	1
Drive - No. Speeds	Direct - 5
CFM vs. in. w.g.	See Fan Performance Table
No. Motors — H.P.	1 - 1/3
Motor Speed R.P.M.	1050
Volts/Ph/Hz	208-230/1/60
F.L. Amps	2.5
FILTER	
Filter Furnished?	No
Type Recommended	Throwaway
No.-Size-Thickness	1 - 16 X 20 - 1 in.
REFRIGERANT	R-410A
Ref. Line Connections	Brazed
Coupling or Conn. Size — in. Gas	3/4
Coupling or Conn. Size — in. Liq.	3/8
DIMENSIONS	H x W x D
Crated (In.)	42x 20-3/4 x 24-3/16
Uncrated	41-3/8 x 18-1/8 x 20-1/2
WEIGHT	
Shipping (Lbs.)/Net (Lbs.)	114/101



Heater Kit Model Used	Electric Heat (kW)	Min. Circuit Ampacity		Max. Fuse or Breaker (HACR) Ampacity		Minimum Heating Blower Speed	
		240V	208V	240V	208V	Without HP	With HP
JAYHTR1A05BKR*	5	29.4	25.9	30	30	Low	Low
JAYHTR1A08BKR*	7.5	42.4	37.2	45	40	Low	Low
JAYHTR1A10BKR*	10	55.4	48.5	60	50	Low	Low

Note: Factory set at Medium High Speed.

Motor Speed	AIR FLOW PERFORMANCE									
	J4AH5E24E1B00AA									
	External Static Pressure-Inches W.C. (kPa)									
		0(0)	0.1(.02)	0.2(.05)	0.3(.07)	0.4(.10)	0.5(.12)	0.6(.15)	0.7(.17)	0.8(.20)
1	CFM	590	544	511	447	404	345	311	273	239
2	CFM	681	633	591	535	490	446	388	354	313
3	CFM	788	736	687	648	597	558	511	473	429
4	CFM	883	842	796	758	717	681	642	599	524
5	CFM	1103	1073	1036	998	967	934	896	855	814

# Mechanical Specifications

---

- Unique Cabinet Design
- Metal shell and glass cotton thermal insulation layer
- Multi-Position UP/Down Flow Horizontal Left /Right
- Braze in Refrigerant Connection
- Primary/Secondary Condensate Connections
- Blower with Integrated Slide Deck for Easy Removal
- Inner-groove aluminum tube and high-efficiency aluminum fin Coil with Integrated Slide Deck for Easy Removal
- More auxiliary Electric Heaters optional
- ECM 5 Speed Motor
- High Efficiency
- Integrated Horizontal Drain pans and metal Vertical Drain
- Fused 24V Power
- Suitable for Manufactured/Mobile Home Use.



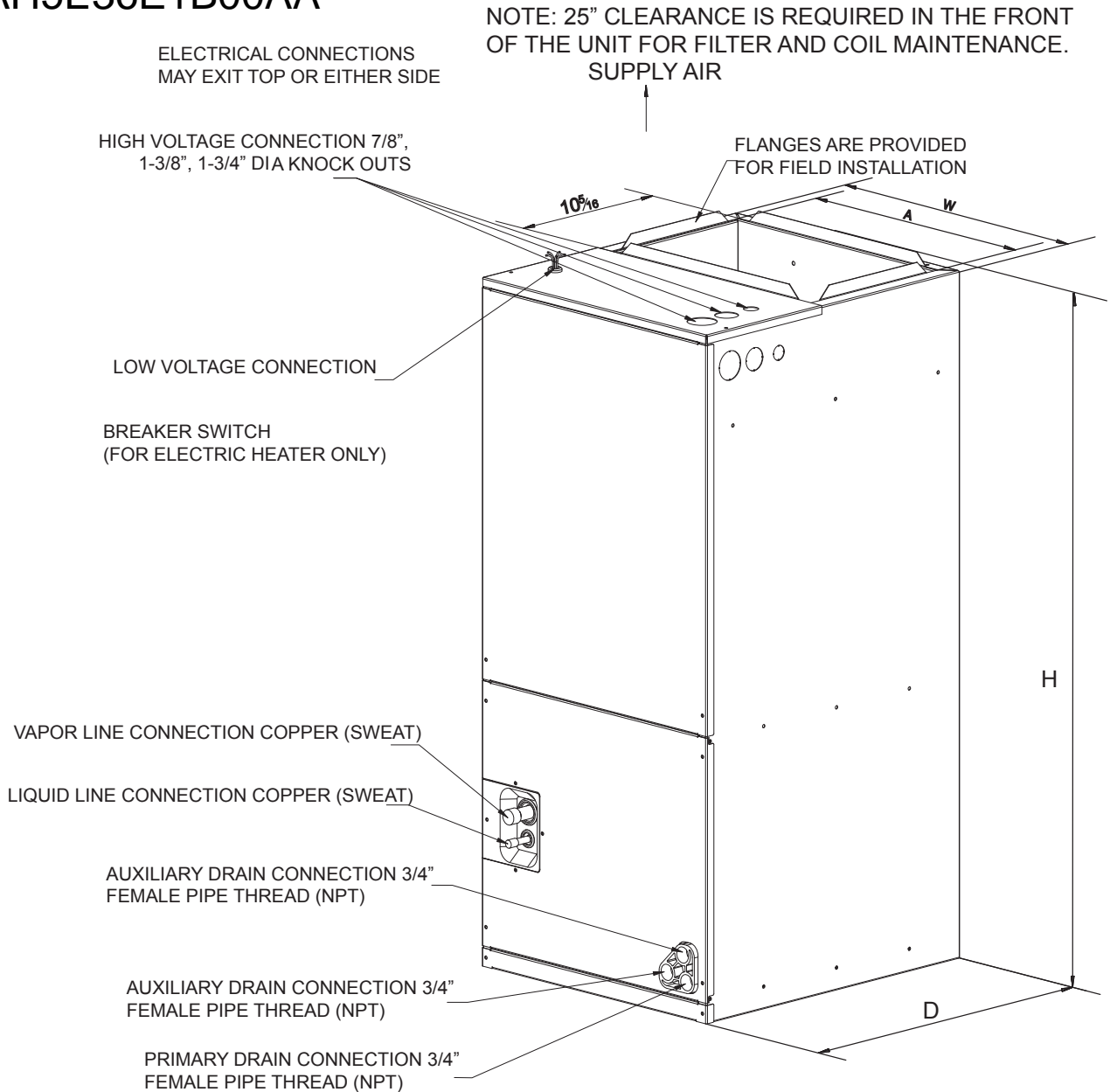
The manufacturer has a policy of continuous product and product data improvement and it reserves the right to change design and specification without notice.

**BX-PRQ-J4AH5E24E1B00A-1A**

TAG: \_\_\_\_\_

**SUBMITTAL**

**3.0 Ton  
Multi-position Air Handler  
J4AH5E36E1B00AA**



UPFLOW UNIT SHOWN;  
UNIT MAY BE INSTALLED UPFLOW, DOWNFLOW,  
HORIZONTAL RIGHT, OR LEFT AIR SUPPLY.

NOTE: All dimensions are in mm/inches.

Model	H	W	D	A
J4AH5E36E1B00AA	1180 (46-1/2)	500 (19-5/8)	550 (21-5/8)	456 (18)

## PRODUCT SPECIFICATIONS

### PRODUCT SPECIFICATIONS

MODEL	J4AH5E36E1B00AA
RATED VOLTS/PH/HZ.	208-230/1/60
RATINGS	See O.D. Specifications
INDOOR COIL — Type	Plate Fin
Rows — F.P.I.	4 - 17
Face Area (sq. ft.)	4.02
Tube Size (in.)	9/32
Refrigerant Control	Orifice
Drain Conn. Size (in.)	3/4 NPT
DUCT CONNECTIONS	See Outline Drawing
INDOOR FAN — Type	Centrifugal
Diameter-Width (In.)	13 X 10-5/8
No. Used	1
Drive - No. Speeds	Direct - 5
CFM vs. in. w.g.	See Fan Performance Table
No. Motors — H.P.	1 - 1/2
Motor Speed R.P.M.	1050
Volts/Ph/Hz	208-230/1/60
F.L. Amps	4.1
FILTER	
Filter Furnished?	No
Type Recommended	Throwaway
No.-Size-Thickness	1 - 18 X 20 - 1 in.
REFRIGERANT	R-410A
Ref. Line Connections	Brazed
Coupling or Conn. Size — in. Gas	3/4
Coupling or Conn. Size — in. Liq.	3/8
DIMENSIONS	H x W x D
Crated (In.)	47-1/8x22-5/16x25-3/8
Uncrated	46-1/2 x19-5/8 x 21-5/8
WEIGHT	
Shipping (Lbs.)/Net (Lbs.)	141/125



Heater Kit Model Used	Electric Heat (kW)	Min. Circuit Ampacity		Max. Fuse or Breaker (HACR) Ampacity		Minimum Heating Blower Speed	
		240V	208V	240V	208V	Without HP	With HP
JAYHTR1A05BKR*	5	29.9	26.4	30	30	Low	Low
JAYHTR1A08BKR*	7.5	42.9	37.7	45	40	Low	Low
JAYHTR1A10BKR*	10	55.9	49	60	50	Low	Low
JAYHTR1A15BKR*	15	55.9/26.1	49/22.6	60/30	50/25	Low	Low
JAYHTR1A20BKR*	20	55.9/52.1	49/45.2	60/60	50/50	MIDDLE	MIDDLE

Note: Factory set at Medium High Speed.

Motor Speed	AIR FLOW PERFORMANCE									
	J4AH5E36E1B00AA									
	External Static Pressure-Inches W.C. (kPa)									
		0(0)	0.1(.02)	0.2(.05)	0.3(.07)	0.4(.10)	0.5(.12)	0.6(.15)	0.7(.17)	0.8(.20)
1	CFM	898	752	603	511	405	360	301	259	203
2	CFM	1026	902	810	694	630	544	490	409	366
3	CFM	1161	1114	1052	992	893	825	768	694	646
4	CFM	1287	1244	1186	1142	1078	969	914	892	893
5	CFM	1491	1442	1396	1348	1302	1243	1150	1088	1029

# Mechanical Specifications

---

- Unique Cabinet Design
- Metal shell and glass cotton thermal insulation layer
- Multi-Position UP/Down Flow Horizontal Left /Right
- Braze in Refrigerant Connection
- Primary/Secondary Condensate Connections
- Blower with Integrated Slide Deck for Easy Removal
- Inner-groove aluminum tube and high-efficiency aluminum fin Coil with Integrated Slide Deck for Easy Removal
- More auxiliary Electric Heaters optional
- ECM5 Speed Motor
- High Efficiency
- Integrated Horizontal Drain pans and metal Vertical Drain
- Fused 24V Power
- Suitable for Manufactured/Mobile Home Use.

**OXBOX**<sup>™</sup>  
A TRANE® BRAND



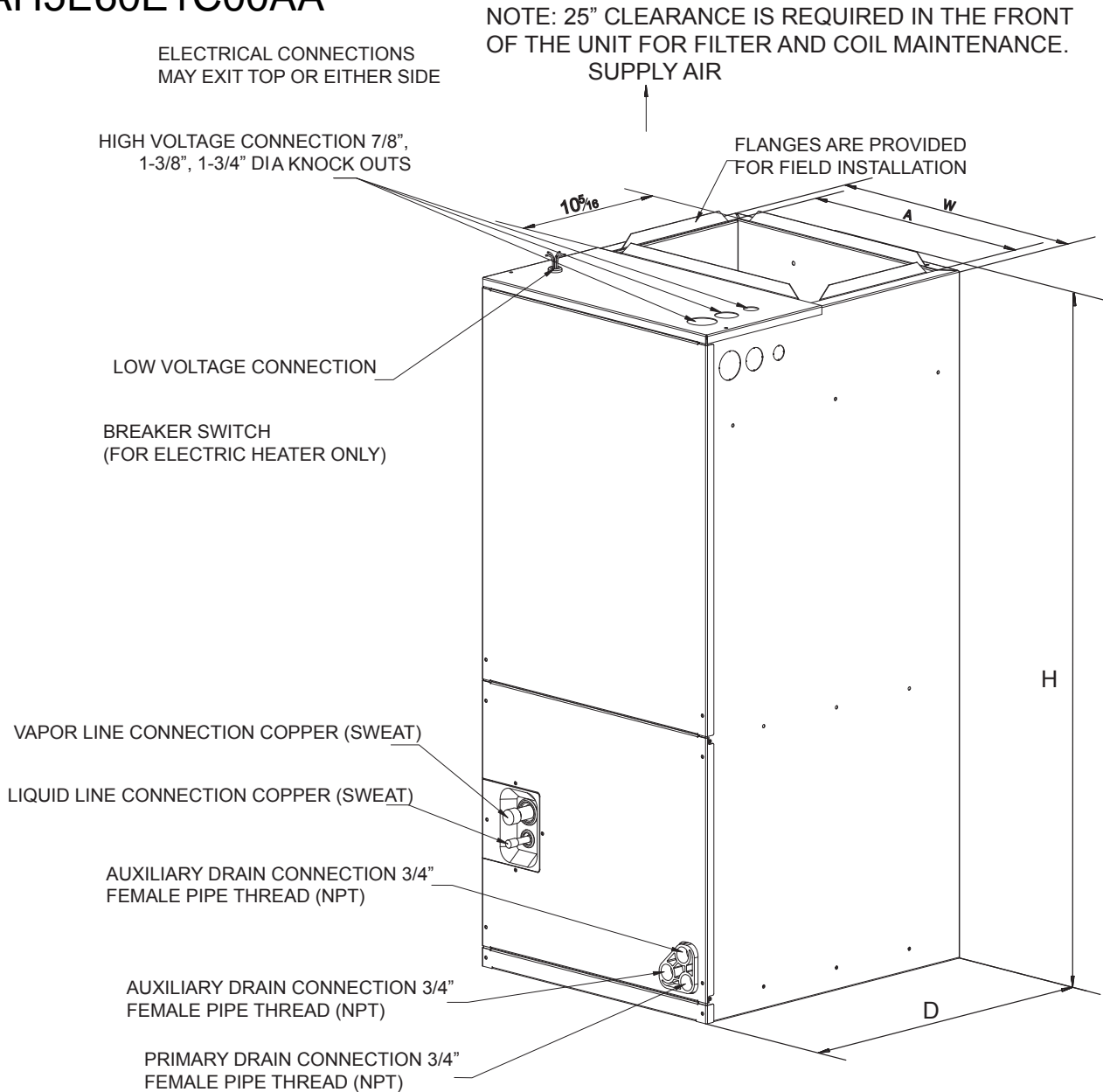
The manufacturer has a policy of continuous product and product data improvement and it reserves the right to change design and specification without notice.

**BX-PRQ-J4AH5E36E1B00A-1A**

TAG: \_\_\_\_\_

**SUBMITTAL**

**5.0 Ton  
Multi-position Air Handler  
J4AH5E60E1C00AA**



UPFLOW UNIT SHOWN;  
UNIT MAY BE INSTALLED UPFLOW, DOWNFLOW,  
HORIZONTAL RIGHT, OR LEFT AIR SUPPLY.

NOTE: All dimensions are in mm/inches.

Model	H	W	D	A
J4AH5E60E1C00AA	1385 (54-1/2)	560 (22)	610 (24)	496 (19-1/2)

# PRODUCT SPECIFICATIONS

## PRODUCT SPECIFICATIONS

MODEL	J4AH5E60E1C00AA
RATED VOLTS/PH/HZ.	208-230/1/60
RATINGS	See O.D. Specifications
INDOOR COIL — Type	Plate Fin
Rows — F.P.I.	4 - 17
Face Area (sq. ft.)	5.99
Tube Size (in.)	9/32
Refrigerant Control	Orifice
Drain Conn. Size (in.)	3/4 NPT
DUCT CONNECTIONS	See Outline Drawing
INDOOR FAN — Type	Centrifugal
Diameter-Width (In.)	13X10-5/8
No. Used	1
Drive - No. Speeds	Direct - 5
CFM vs. in. w.g.	See Fan Performance Table
No. Motors — H.P.	1 - 3/4
Motor Speed R.P.M.	1050
Volts/Ph/Hz	208-230/1/60
F.L. Amps	5.2
FILTER	
Filter Furnished?	No
Type Recommended	Throwaway
No.-Size-Thickness	1 - 20 X 22 - 1 in.
REFRIGERANT	R-410A
Ref. Line Connections	Brazed
Coupling or Conn. Size — in. Gas	7/8
Coupling or Conn. Size — in. Liq.	3/8
DIMENSIONS	H x W x D
Crated (In.)	55-3/16x24-11/16x27-11/16
Uncrated	54-1/2x22x24
WEIGHT	
Shipping (Lbs.)/Net (Lbs.)	177/159



Heater Kit Model Used	Electric Heat (kW)	Min. Circuit Ampacity		Max. Fuse or Breaker (HACR) Ampacity		Minimum Heating Blower Speed	
		240V	208V	240V	208V	Without HP	With HP
JAYHTR1A05BKR*	5	31.8	28.3	35	30	Low	Low
JAYHTR1A08BKR*	7.5	44.8	39.6	45	40	Low	Low
JAYHTR1A10BKR*	10	57.8	50.9	60	60	Low	Low
JAYHTR1A15BKR*	15	57.8/26.1	50.9/22.6	60/30	60/25	Low	Low
JAYHTR1A20BKR*	20	57.8/52.1	50.9/45.2	60/60	60/50	MIDDLE	MIDDLE

Note: Factory set at Medium High Speed.

Motor Speed	AIR FLOW PERFORMANCE									
	J4AH5E60E1C00AA									
	External Static Pressure-Inches W.C. (kPa)									
		0(.0)	0.1(.02)	0.2(.05)	0.3(.07)	0.4(.10)	0.5(.12)	0.6(.15)	0.7(.17)	0.8(.20)
1	CFM	1344	1284	1226	1151	1076	946	904	893	869
2	CFM	1531	1477	1418	1366	1299	1239	1138	1064	1001
3	CFM	1647	1592	1538	1490	1436	1378	1315	1215	1140
4	CFM	1875	1822	1774	1729	1677	1629	1581	1533	1473
5	CFM	2021	1967	1924	1879	1828	1785	1742	1694	1641



# Mechanical Specifications

---

- Unique Cabinet Design
- Metal shell and glass cotton thermal insulation layer
- Multi-Position UP/Down Flow Horizontal Left /Right
- Braze in Refrigerant Connection
- Primary/Secondary Condensate Connections
- Blower with Integrated Slide Deck for Easy Removal
- Inner-groove aluminum tube and high-efficiency aluminum fin Coil with Integrated Slide Deck for Easy Removal
- More auxiliary Electric Heaters optional
- ECM5 Speed Motor
- High Efficiency
- Integrated Horizontal Drain pans and metal Vertical Drain
- Fused 24V Power
- Suitable for Manufactured/Mobile Home Use.



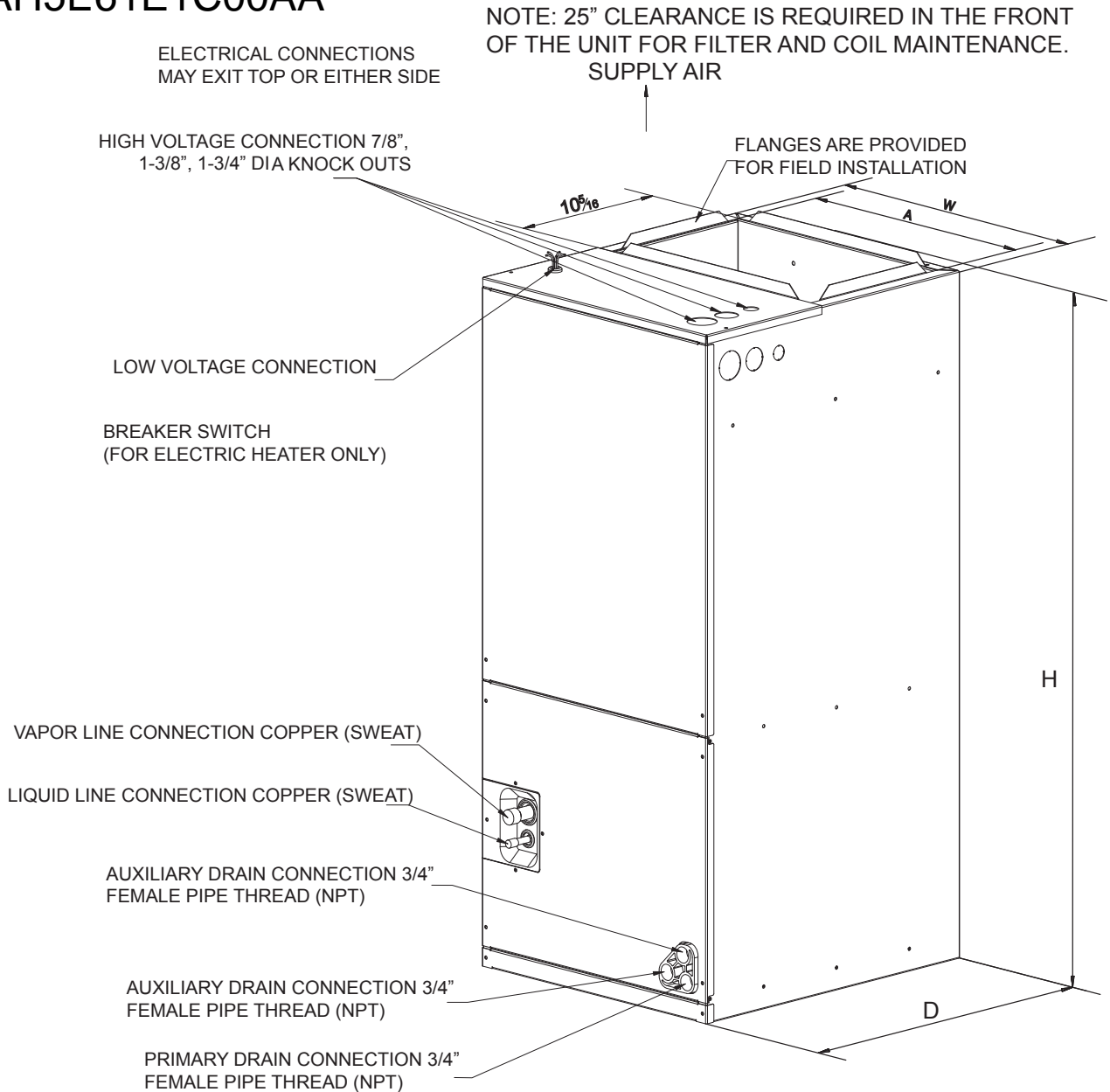
The manufacturer has a policy of continuous product and product data improvement and it reserves the right to change design and specification without notice.

**BX-PRQ-J4AH5E60E1C00A-1A**

TAG: \_\_\_\_\_

**SUBMITTAL**

**5.0 Ton  
Multi-position Air Handler  
J4AH5E61E1C00AA**



UPFLOW UNIT SHOWN;  
UNIT MAY BE INSTALLED UPFLOW, DOWNFLOW,  
HORIZONTAL RIGHT, OR LEFT AIR SUPPLY.

NOTE: All dimensions are in mm/inches.

Model	H	W	D	A
J4AH5E60E1C00AA	1385 (54-1/2)	560 (22)	610 (24)	496 (19-1/2)

## PRODUCT SPECIFICATIONS

### PRODUCT SPECIFICATIONS

MODEL	J4AH5E61E1C00AA
RATED VOLTS/PH/HZ.	208-230/1/60
RATINGS	See O.D. Specifications
INDOOR COIL — Type	Plate Fin
Rows — F.P.I.	5 - 17
Face Area (sq. ft.)	5.99
Tube Size (in.)	9/32
Refrigerant Control	Orifice
Drain Conn. Size (in.)	3/4 NPT
DUCT CONNECTIONS	See Outline Drawing
INDOOR FAN — Type	Centrifugal
Diameter-Width (In.)	13X10-5/8
No. Used	1
Drive - No. Speeds	Direct - 5
CFM vs. in. w.g.	See Fan Performance Table
No. Motors — H.P.	1 - 3/4
Motor Speed R.P.M.	1050
Volts/Ph/Hz	208-230/1/60
F.L. Amps	5.2
FILTER	
Filter Furnished?	No
Type Recommended	Throwaway
No.-Size-Thickness	1 - 20 X 22 - 1 in.
REFRIGERANT	R-410A
Ref. Line Connections	Brazed
Coupling or Conn. Size — in. Gas	7/8
Coupling or Conn. Size — in. Liq.	3/8
DIMENSIONS	H x W x D
Crated (In.)	55-3/16x24-11/16x27-11/16
Uncrated	54-1/2x22x24
WEIGHT	
Shipping (Lbs.)/Net (Lbs.)	179/161



Heater Kit Model Used	Electric Heat (kW)	Min. Circuit Ampacity		Max. Fuse or Breaker (HACR) Ampacity		Minimum Heating Blower Speed	
		240V	208V	240V	208V	Without HP	With HP
JAYHTR1A05BKR*	5	31.8	28.3	35	30	Low	Low
JAYHTR1A08BKR*	7.5	44.8	39.6	45	40	Low	Low
JAYHTR1A10BKR*	10	57.8	50.9	60	60	Low	Low
JAYHTR1A15BKR*	15	57.8/26.1	50.9/22.6	60/30	60/25	Low	Low
JAYHTR1A20BKR*	20	57.8/52.1	50.9/45.2	60/60	60/50	MIDDLE	MIDDLE

Note: Factory set at Medium High Speed.

Motor Speed		AIR FLOW PERFORMANCE									
		J4AH5E61E1C00AA									
		External Static Pressure-Inches W.C. (kPa)									
		0(.0)	0.1(.02)	0.2(.05)	0.3(.07)	0.4(.10)	0.5(.12)	0.6(.15)	0.7(.17)	0.8(.20)	
1	CFM	1333	1277	1202	1149	1070	1002	933	903	809	
2	CFM	1479	1424	1366	1310	1258	1184	1118	1067	991	
3	CFM	1671	1625	1571	1517	1474	1426	1356	1283	1230	
4	CFM	1889	1838	1796	1737	1689	1643	1592	1543	1488	
5	CFM	2001	1963	1923	1866	1822	1780	1739	1677	1620	

# Mechanical Specifications

---

- Unique Cabinet Design
- Metal shell and glass cotton thermal insulation layer
- Multi-Position UP/Down Flow Horizontal Left /Right
- Braze in Refrigerant Connection
- Primary/Secondary Condensate Connections
- Blower with Integrated Slide Deck for Easy Removal
- Inner-groove aluminum tube and high-efficiency aluminum fin Coil with Integrated Slide Deck for Easy Removal
- More auxiliary Electric Heaters optional
- ECM5 Speed Motor
- High Efficiency
- Integrated Horizontal Drain pans and metal Vertical Drain
- Fused 24V Power
- Suitable for Manufactured/Mobile Home Use.



The manufacturer has a policy of continuous product and product data improvement and it reserves the right to change design and specification without notice.

**BX-PRQ-J4AH5E61E1C00A-1A**