

Deluxe Portable Heat Pump - Air Cooled

MODEL: 20ACH	1211	1811	2412	3612	3632	3634	6012	6032	6034
Cooling Capacity <sup>2</sup>	11,800	16,800	24,020	36,050	36,050	36,050	60,050	60,050	60,050
Heating Capacity <sup>3</sup>	11,000	15,600	24,020	32,500	32,500	32,500	53,500	53,500	53,500
Voltage (V/Phase) at 60Hz <sup>1</sup>	115/1		208-230/1	208-230/1	208-230/3	460/3	208-230/1	208-230/3	460/3
Amps <sup>7</sup>	10.4	14.1	14.9	18.1	17.2	8.7	32.0	20.4	14.8
Watts <sup>7</sup>	1180	1670	2700	3620	3620	3620	6000	6000	6000
In Rush Current (Amps)	60	75	68	113	93	60	178	162	87
Plug Type	5-15P	5-20P	6-20P	6-30P	L15-30P	L16-20P	6-50P	L15-30P	L16-20P
EER <sup>5</sup>	10.0	10.0	8.9	10.0	10.0	10.0	10.0	10.0	10.0
Compressor HP	1	1 1/2	2	3	3	3	5	5	5
Compressor RLA	9.5	12.3	10.5	13.6	8.8	5.0	27.6	18.1	9.0
Compressor LRA	50	63	48	83	77	35	158	137	62
Evap CFM <sup>4</sup>	400	600	810	1200	1200	1200	1950	1950	1950
Evap Motor HP	1/8	1/8	1/3	1/3	1/3	1/3	1	1	1
Evap Motor Watts	180	210	330	375	375	375	550	550	550
Condenser CFM <sup>4</sup>	580	930	1010	1390	1390	1390	2200	2200	2200
Condenser Motor HP	1/8	1/8	1/3	1	1	1	1	1	1
Condenser Motor Watts	200	280	350	460	460	460	750	750	750
Condensate	5 Gallon Condensate Tank - STANDARD (Pump Optional)						Pump -STANDARD (20 ft. Lift)		
Sound Level <sup>6</sup>	54	60	65	69			78		
R-410A Charge Oz.	18	40	37	66			80		
(A) Height with Casters (in.)	36 1/2	45 1/2		50-1/4			52 1/4		
(B) Width (in.)	20	24		28					
(C) Depth (in.)	25	30			35		39		
(D) Height w/o Casters (in.)	32 1/2	40 1/2		45			46		
Net Weight (lb.)	180	260	260	365		380	485	485	515
Shipping Weight (lb.)	200	285	285	405		420	525	525	555
Shipping Volume (cu. ft.)	19	28		40			48		



**SPECIFICATIONS SUBJECT TO CHANGE WITHOUT NOTICE**

**NOTES**

1. Dedicated Circuit and Time Delay fuse or circuit breaker are recommended
2. Cooling Capacity is total BTUH at 80°DB/67° WB return air, 95° DB Condenser Air
3. Heating Capacity is total BTUH at 70°DB/60° WB indoor, 47° DB/43°WB Outdoor
4. CFM with free discharge
5. Cooling EER is determined at high fan speed, with condenser air ducted into another area
6. Sound Pressure, dB at 5 feet, commercial operation
7. Amps & Watts at 208 Volts (208-230 V Models)



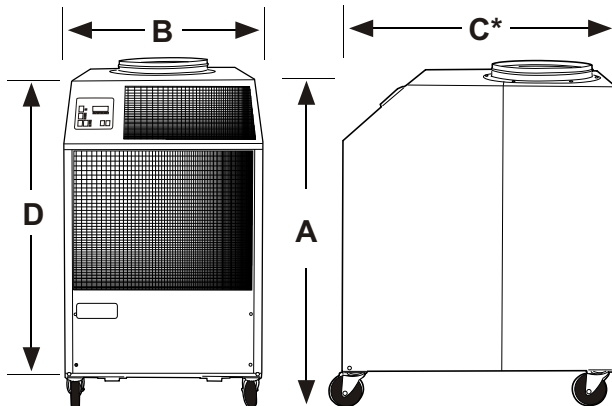
**COOLING AMBIENT\***

**OPERATING RANGE 65° TO 105°**

\* May COOL down to 55° if equipped with hot gas bypass (factory installed)

**HEATING AMBIENT**

**OPERATING RANGE 40° TO 85°**



\* Condenser Return Air Plenums  
2DCP-1 and 2DCP-2 add 13 inches to Dimension "C"  
DCP-5 adds 17 inches to Dimension "C"

**NOT APPROVED FOR OUTDOOR USE**

**WARRANTY**

ALL OCEANAIRE PRODUCTS ARE COVERED BY THE OCEANAIRE LIMITED WARRANTY

**1 YEAR ON THE FULL PRODUCT**

PLUS, 4 ADDITIONAL YEARS FOR THE COMPRESSOR (RESTRICTIONS APPLY)



# OCEANAIRE

# ACCESSORIES

## NOZZLE KIT

2NK-1 (2 X 4-INCH NOZZLES)  
 2NK-2 (2 X 6-INCH NOZZLES)  
 2NK-3 (2 X 8-INCH NOZZLES)

## MODELS

2OACH12  
 2OACH18, 24  
 2OACH36, 60

## EVAPORATOR RETURN AIR PLENUM KIT

DEP-10 (10-INCH) 2OACH12  
 2DEP-12 (12-INCH) 2OACH18, 24  
 DEP-16 (16-INCH) 2OACH36, 60

## CEILING PANEL KIT

CK-12 (12-INCH) 2OACH12, 28, 24  
 CK-16 (16-INCH) 2OACH36, 60  
 CK-12PL CK-12 WITHOUT DUCT FLANGE

## DISCHARGE DUCT ADAPTER

2DDA-6 (6-INCH) 2OACH12  
 2DDA-10 (10-INCH) 2OACH18, 24  
 2DDA-16 (16-INCH) 2OACH36, 60

## CONDENSATE PUMP KIT

2DPC-1 115V PUMP KIT, DELUXE 2OACH12, 18  
 2DPC-2 230V PUMP KIT, DELUXE 2OACH24, 36  
 (2OACH60 MODELS COME WITH PUMPS INSTALLED)

## CONDENSER RETURN AIR PLENUM

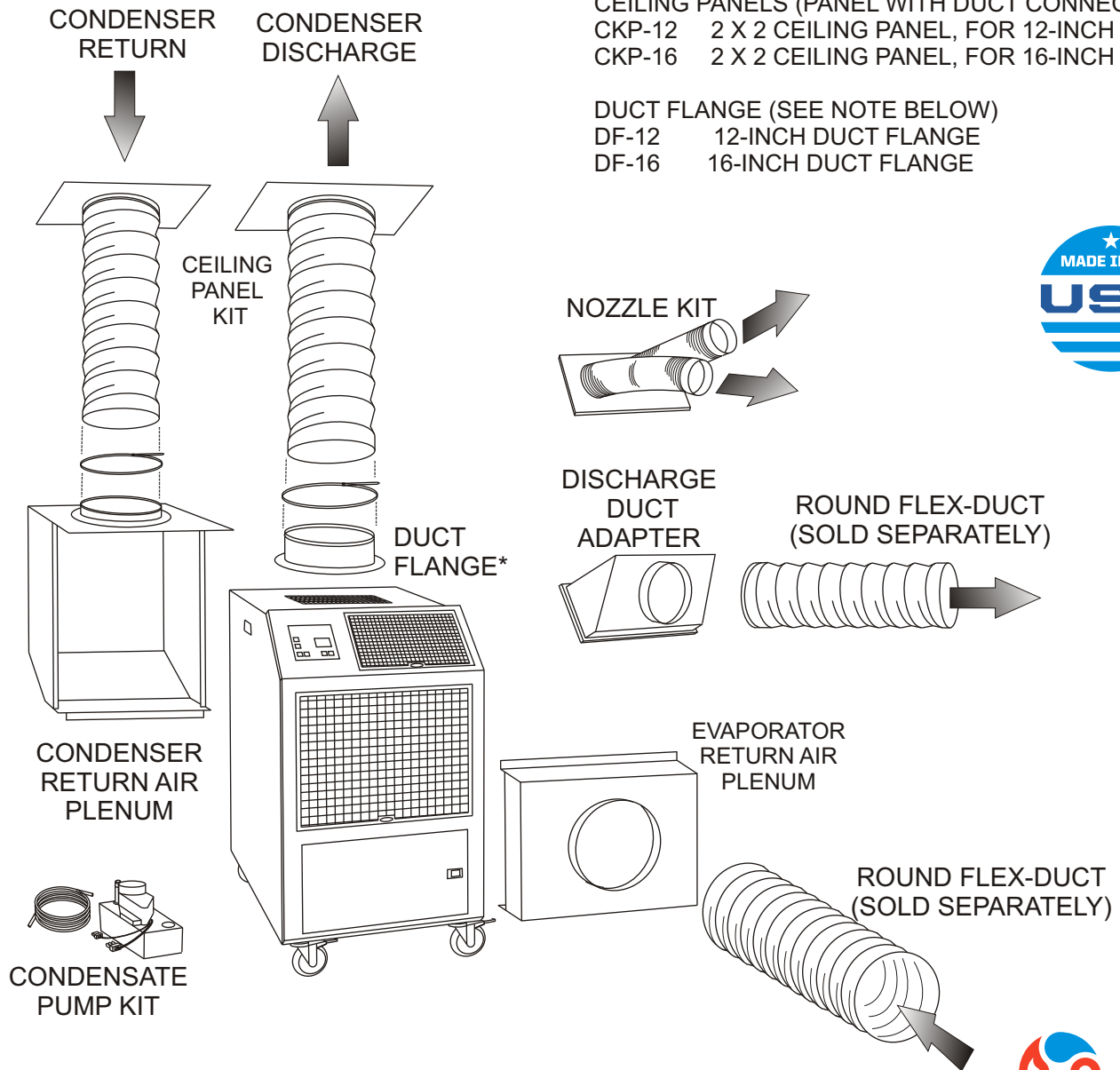
2DCP-1 (12-INCH) 2OACH12  
 2DCP-2 (12-INCH) 2OACH18, 24  
 DCP-5 (16-INCH) 2OACH36, 60

## CEILING PANELS (PANEL WITH DUCT CONNECTOR)

CKP-12 2 X 2 CEILING PANEL, FOR 12-INCH DUCT  
 CKP-16 2 X 2 CEILING PANEL, FOR 16-INCH DUCT

## DUCT FLANGE (SEE NOTE BELOW)

DF-12 12-INCH DUCT FLANGE  
 DF-16 16-INCH DUCT FLANGE



NOTE: 2OACH36 AND 2OACH60 COME WITH 16-INCH FLANGES



HEATING & COOLING

OCEANAIRE 6228 Oakton Street Morton Grove, IL 60053

P 847.583.0311 F 847.583.0312 E sales@oceanaire-inc.com W www.oceanaire-inc.com



OA-TS-2OACH-012012