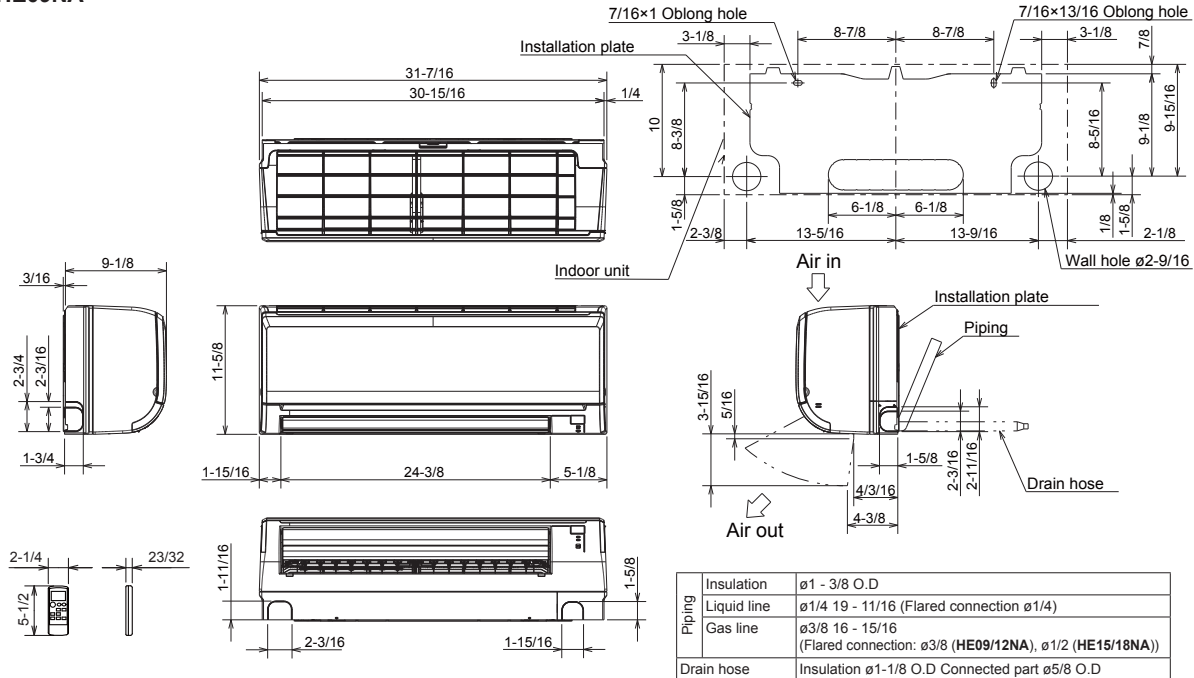


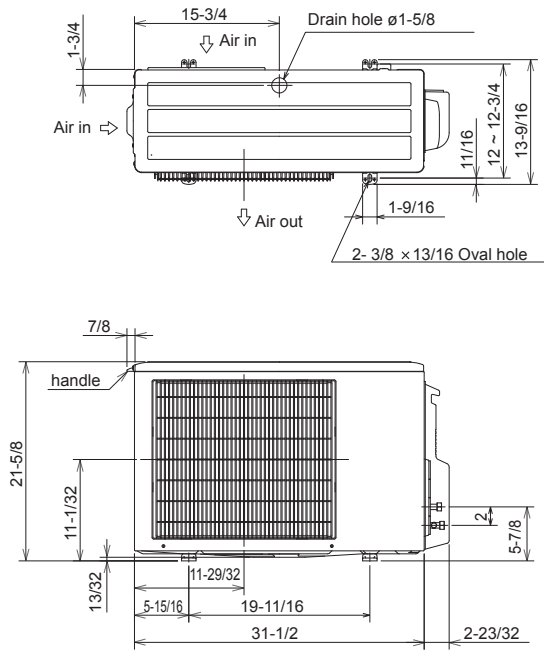


# DIMENSIONS: MSZ-HE09NA8 & MUZ-HE09NA

## MSZ-HE09NA

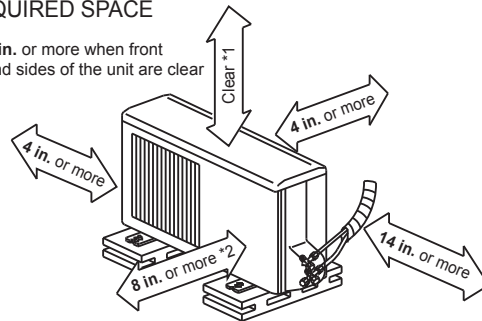


## MUZ-HE09NA

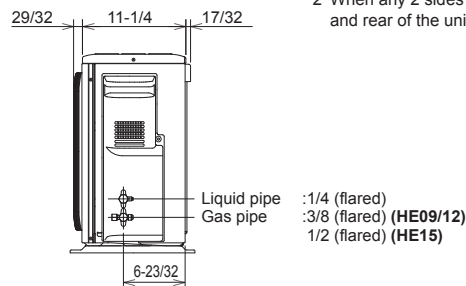


### REQUIRED SPACE

\*1 4 in. or more when front and sides of the unit are clear



\*2 When any 2 sides of left, right and rear of the unit are clear



**Intertek**

INVERTER



COOLING & HEATING

1340 Satellite Boulevard  
 Suwanee, GA 30024  
 Toll Free: 800-433-4822  
 www.mehvac.com

## SUBMITTAL DATA: MSZ-HE12NA & MUZ-HE12NA

12,000 BTU/H WALL-MOUNTED HEAT-PUMP SYSTEMS

Job Name:

System Reference:

Date:



Indoor Unit: MSZ-HE12NA



Outdoor Unit: MUZ-HE12NA


 Wireless Remote  
Controller

### GENERAL FEATURES

- Wall-mounted indoor unit
- Single connection only
- Auto fan speed control: Low, Medium, High, and Super High
- Hand-held Wireless Remote Controller
- Limited warranty: five years parts and seven years compressor

### ACCESSORIES

#### Outdoor Unit

- Outdoor Mounting Pad (ULTRILITE1)
- Drain Pan Heater (MAC-640BH-U)
- 3-1/4" Mounting Base [Pair] (DSD-400P)
- Drain Pan Socket (MAC-860DS)
- Air Outlet Guide (MAC-889SG)
- Wall Mounting Bracket (CWMB1)

#### Indoor Unit

- BlueDiamond MaxiBlue Condensate Pump (X87-721, 230V)
- Sauermann Condensate Pump (SI30-230, 230V)
- Anit-Allergy Enzyme Filter (MAC-408FT-E)
- Drain Pan Level Sensor (DPLS1)

### SPECIFICATIONS

#### Cooling\*1

Rated Capacity.....12,000 Btu/h  
 Maximum Capacity.....12,200 Btu/h  
 SEER.....18.0 Btu/h/W  
 Total Input.....960 (205-1,300) W

#### Heating at 47° F\*2

Rated Capacity.....12,200 Btu/h  
 Maximum Capacity.....14,500 Btu/h  
 HSPF.....8.5 Btu/h/W  
 Total Input.....1,170 (340-1,660) W

#### Heating at 17° F\*3

Rated Capacity.....7,500 Btu/h  
 Rated Total Input.....710 W  
 Maximum Capacity.....9,000 Btu/h

#### Heating at 5° F\*4

Maximum Capacity.....7,300 Btu/h

### Electrical Requirements

Power Supply.....208 / 230V, 1-Phase, 60 Hz  
 Breaker Size.....15 A

### Voltage

Indoor - Outdoor S1-S2.....AC 208 / 230 V  
 Indoor - Outdoor S2-S3.....DC ±24 V  
 Indoor - Remote Controller.....DC ±24 V

### Indoor Unit

MCA.....1.0 A  
 Blower Motor (ECM).....0.76 F.L.A.

### Airflow (Lo - Med - Hi - Super Hi)

Cooling.....170-237-321-399 Dry CFM  
 134-201-286-364 Wet CFM  
 Heating.....170-237-321-406 Dry CFM

### Sound Pressure Level (Lo - Med - Hi - Super Hi)

Cooling.....22-30-37-45 dB(A)  
 Heating.....22-30-37-43 dB(A)

External Finish Color.....Munsell 1.0Y 9.2/0.2

### Dimension Unit

Inches:.....11-5/8 H x 31-7/16 W x 9-1/8 D  
 mm:.....295 H x 798 W x 232 D

Weight Unit.....22 lbs. / 10kg

Field Drainpipe Size O.D. ....5/8" x 15.88 mm

### Outdoor Unit

MCA.....12 A

MOCP.....15 A

Fan Motor (ECM).....0.50 F.L.A.

Compressor.....DC Inverter-driven Twin Rotary

### Sound Pressure Level

Cooling \*1.....49 dB(A)  
 Heating \*2.....51 dB(A)

External Finish Color.....Munsell 3Y 7.8/1.1

### External Dimensions

Inches:.....21-5/8 H x 31-1/2 W x 11-1/4 D  
 mm:.....550 H x 800 W x 285 D

Weight.....77 lbs. / 35kg

Refrigerant Type.....R410A

### Refrigerant Pipe

Gas Side O.D. ....3/8" / 9.52 mm  
 Liquid Side O.D. ....1/4" / 6.35 mm

### Refrigerant Pipe Length

Height Difference (Max.).....40' / 12 m  
 Length (Max.).....65' / 20 m

### Connection Method

Indoor/Outdoor.....Flared

### Rating Conditions:

\*1 Cooling | Indoor: 80° F (27° C) DB / 67° F (19° C) WB

\*1 Cooling | Outdoor: 95° F (35° C) DB / 75° F (24° C) WB

\*2 Heating at 47° F | Indoor: 70° F (21° C) DB / 60° F (16° C) WB

\*2 Heating at 47° F | Outdoor: 47° F (8° C) DB / 43° F (6° C) WB

\*3 Heating at 17° F | Indoor: 70° F (21° C) DB / 60° F (16° C) WB

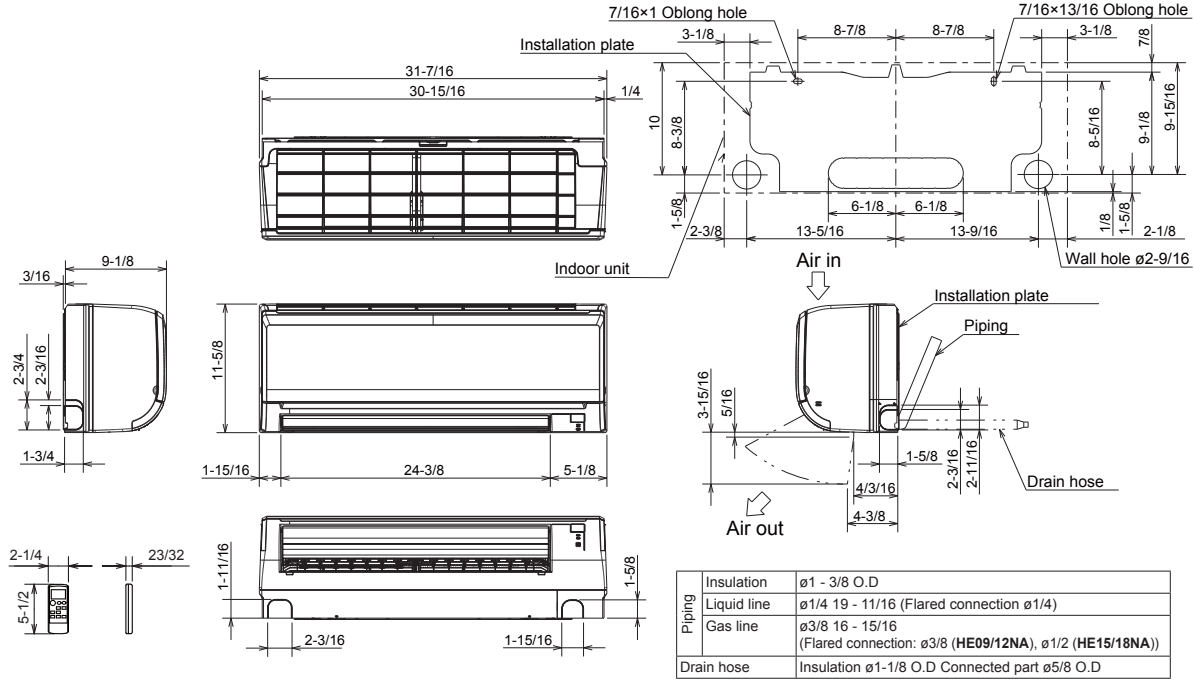
\*3 Heating at 17° F | Outdoor: 17° F (-8° C) DB / 15° F (-9° C) WB

\*4 Heating at 5° F | Indoor: 70° F (21° C) DB / 60° F (16° C) WB

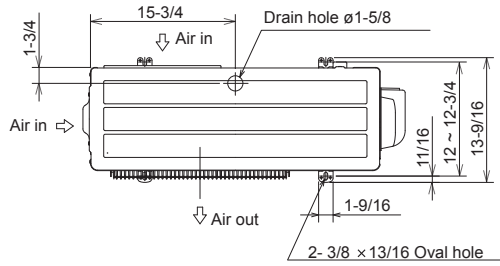
\*4 Heating at 5° F | Outdoor: 5° F (-15° C) DB / 5° F (-15° C) WB

# DIMENSIONS: MSZ-HE12NA-8 & MUZ-HE12NA

## MSZ-HE12NA

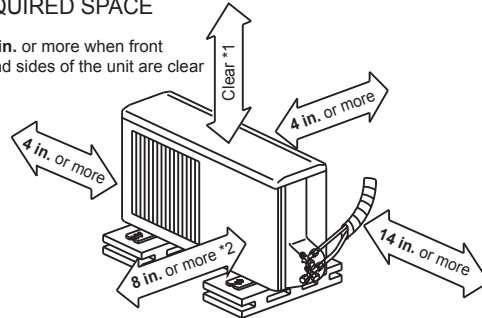


## MUZ-HE12NA

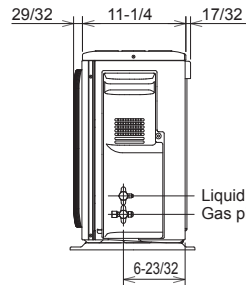
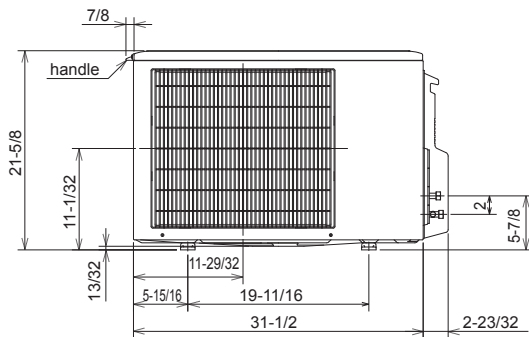


### REQUIRED SPACE

\*1 4 in. or more when front and sides of the unit are clear



\*2 When any 2 sides of left, right and rear of the unit are clear



**Intertek**

**INVERTER**



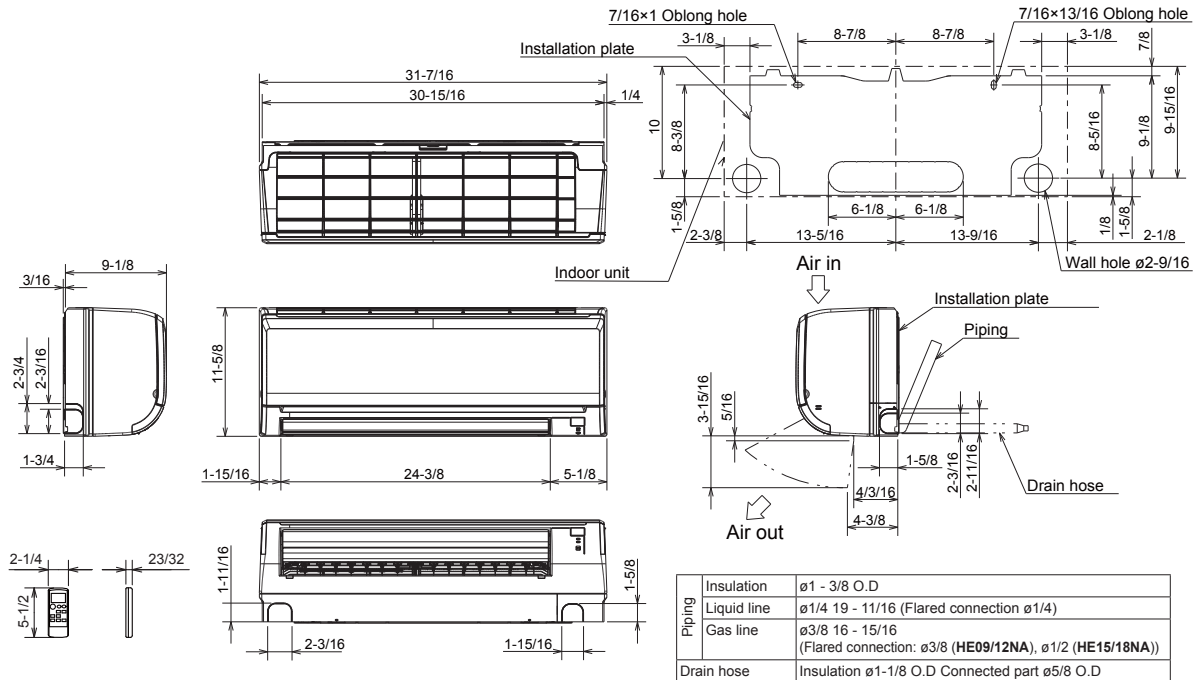
COOLING & HEATING

1340 Satellite Boulevard  
Suwanee, GA 30024  
Toll Free: 800-433-4822  
www.mehvac.com

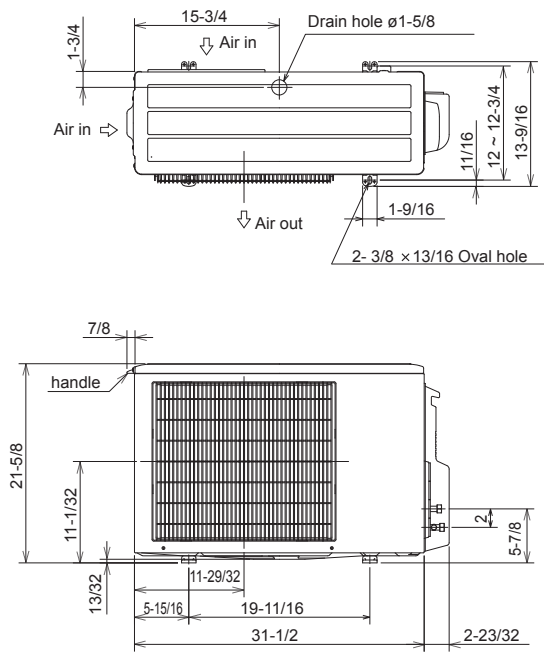


# DIMENSIONS: MSZ-HE15NA & MUZ-HE15NA

## MSZ-HE15NA

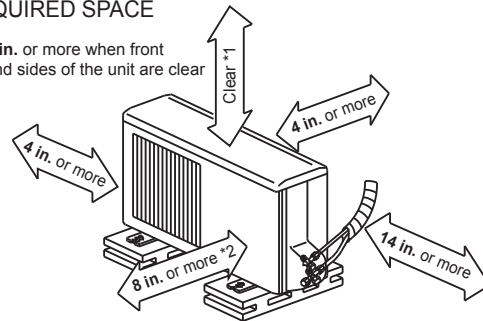


## MUZ-HE15NA

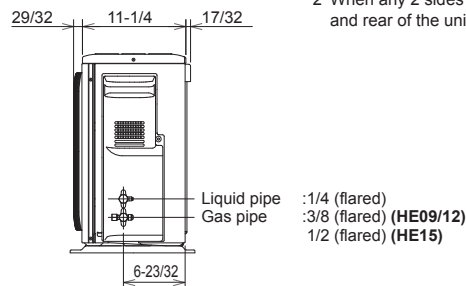


### REQUIRED SPACE

\*1 4 in. or more when front and sides of the unit are clear



\*2 When any 2 sides of left, right and rear of the unit are clear



**Intertek**

**INVERTER**



COOLING & HEATING

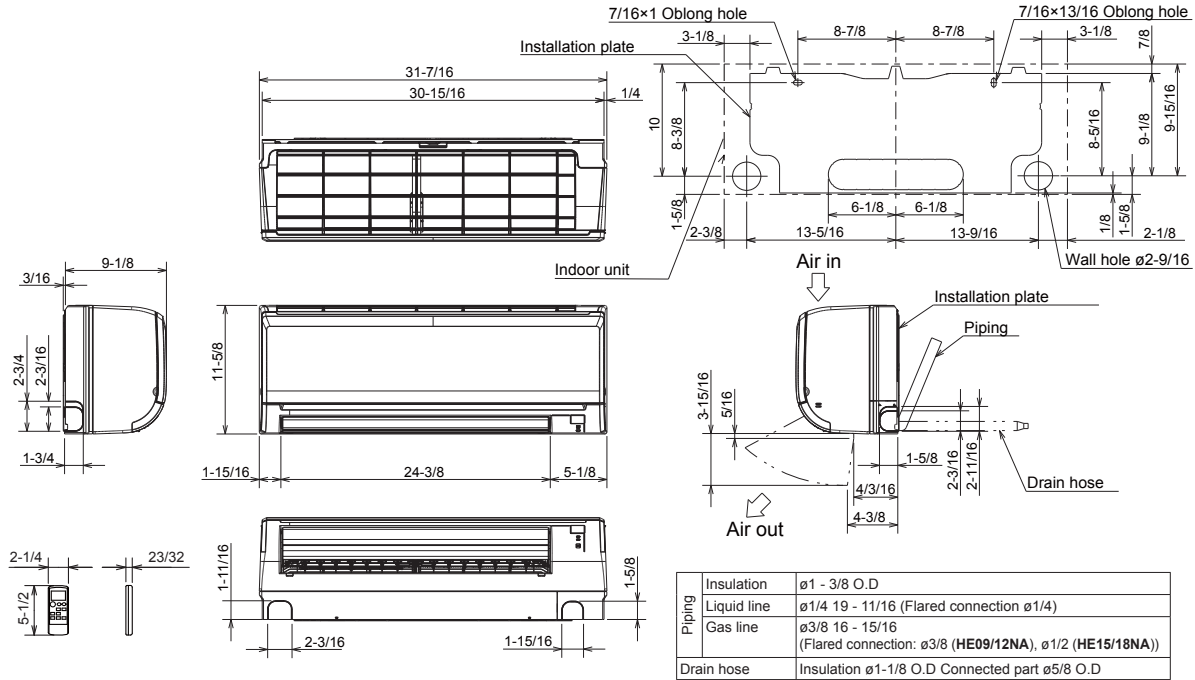
1340 Satellite Boulevard  
 Suwanee, GA 30024  
 Toll Free: 800-433-4822  
 www.mehvac.com



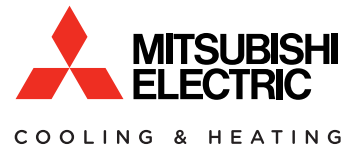
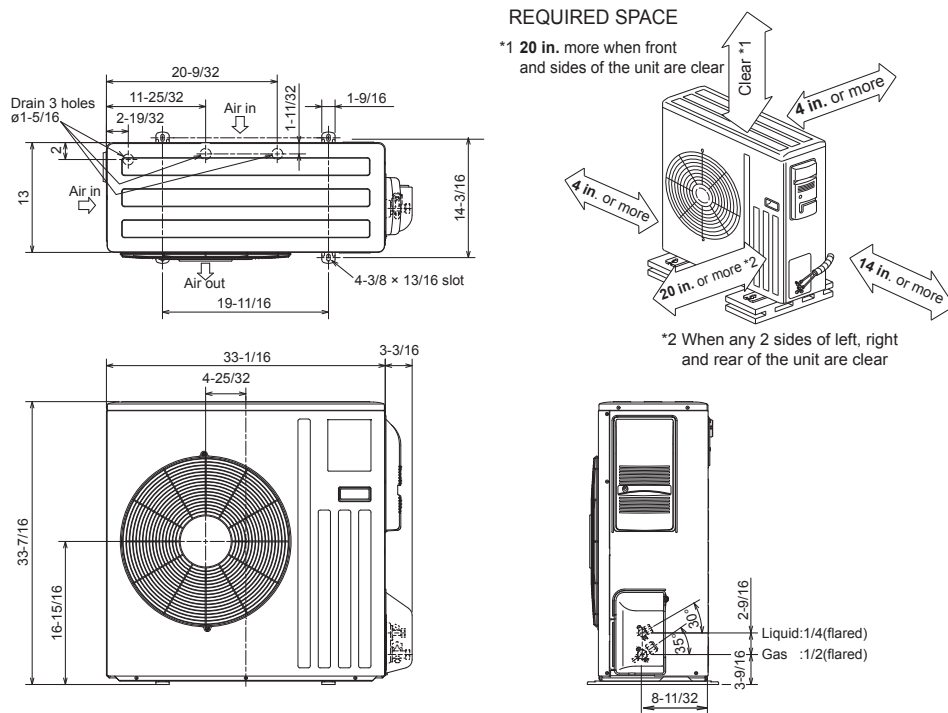


# DIMENSIONS: MSZ-HE18NA & MUZ-HE18NA

## MSZ-HE18NA



## MUZ-HE18NA



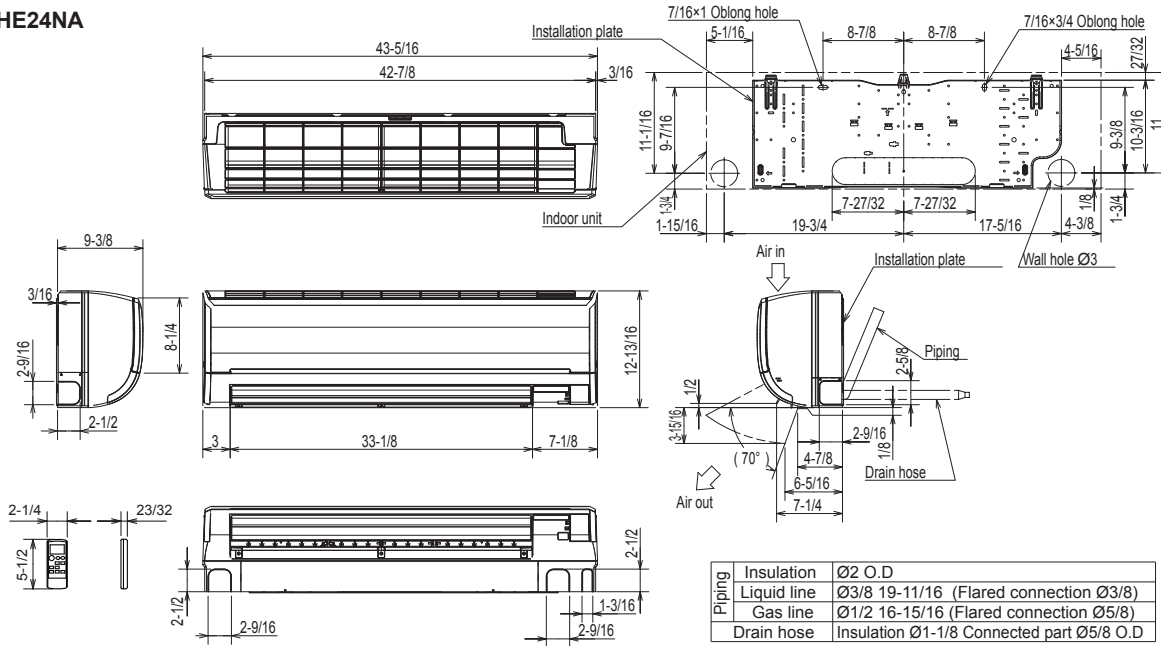
1340 Satellite Boulevard  
 Suwanee, GA 30024  
 Toll Free: 800-433-4822  
 www.mehvac.com



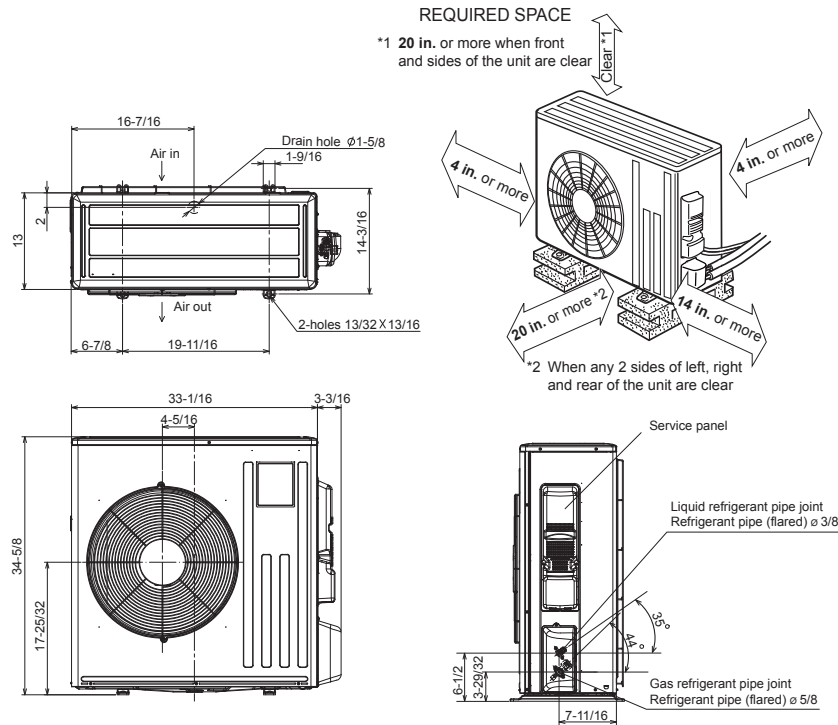


# DIMENSIONS: MSZ-HE24NA & MUZ-HE24NA

## MSZ-HE24NA



## MUZ-HE24NA



**Intertek**

**INVERTER**



COOLING & HEATING

1340 Satellite Boulevard  
Suwanee, GA 30024  
Toll Free: 800-433-4822  
www.mehvac.com