



Electric Tankless AHS Series

Point of Use Applications

Features:

- Heat Exchangers are 100% stainless Steel
- Compact and Light Weight for easy install
- Safety Thermostatic Cut off
- LED Indicator lights shows Power
- 5-Power Settings
- Microprocessor Controlled



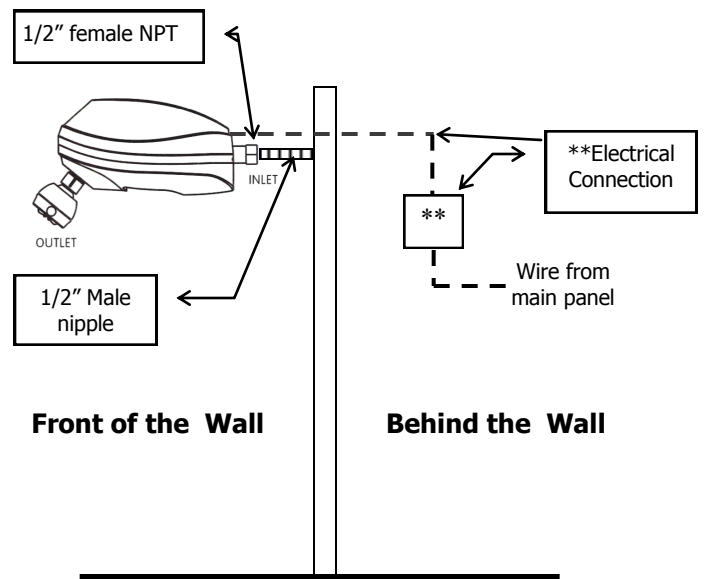
US. DESIGN PATENT
D 643,511
OTHER PATENTS PENDING

Benefits:

- Save Valuable Space
- Save Water
- Small enough to be installed anywhere
- ASTM 304 Stainless Steel Heat Exchangers
- Endless Supply of Hot Water!
- Can be connected to a generator
- Great for Portable Showers

APPLICATIONS:

Studios, Outdoor showers, Pool Side showers, Cabins, Disaster Sites, Public Showers



WARRANTY

- 1 Years Heat Exchangers
- 1-Year Internal Components
- 1-Year Heating Element

SPECIFICATIONS

Model	KW	Amps	Volts	AWG#	Height	Width	Length	Weight
AHSH2500	2.5	23	110	10-2	5"	4.25"	10"	3.5 lbs.
AHSH5000	5	23	220	10-2	5"	4.25"	10"	3.5 lbs.

AHSH Series Specifications

Model AHSH2500 / AHSH5000

Dimensions: 5" x 4.25" x 10" Inches

Weight: 3.5 lbs.

Cover: ABS Plastic

Body/Heat Exchanger: ASTM 304 Stainless Steel

Element: 1 Stainless Steel Submersed

Pipe fittings: 1/2" NPT

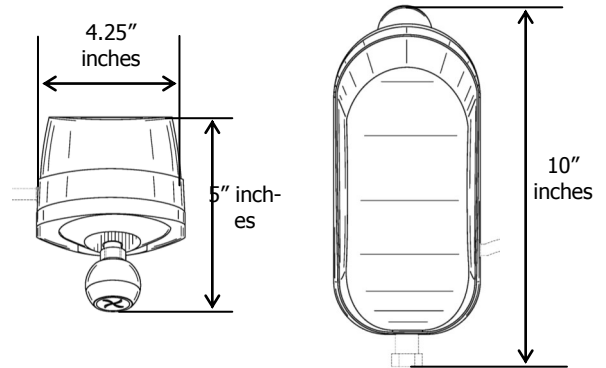
Activation flow rate: .48 gallon

Operation Pressure: Min 25 PSI, Max 150

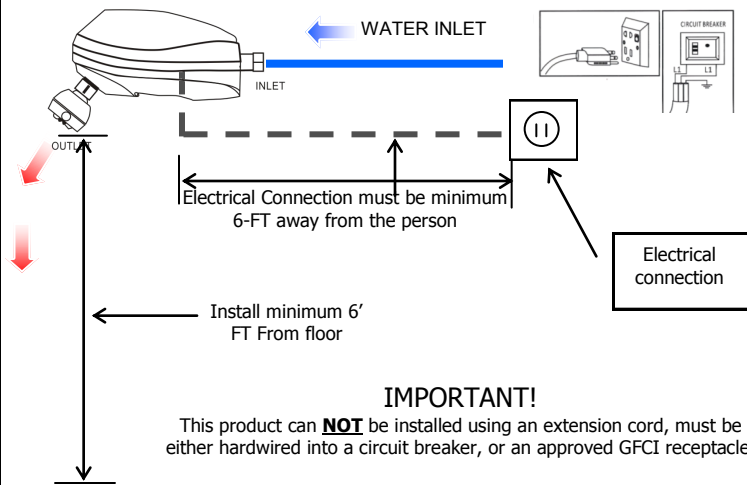
Warranty 1-Year Heating elements / 1-Year components

1-Year heat exchanger

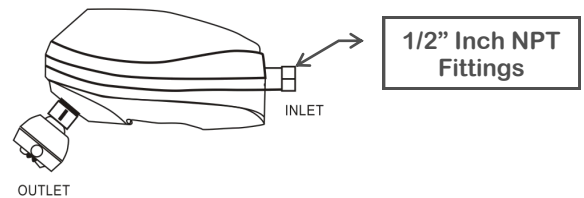
PRODUCT DIMENSIONS



INSTALLATION SCHEMATIC



PLUMBING CONNECTIONS



IMPORTANT: This product must be installed by a qualified mechanical contractor in accordance with all National, State, Provincial, and Local electrical and plumbing codes.

warranty: 1-Year Heating Elements / 1- Year Internal Components 1- Year Heat Exchanger

Model	kW RATING	VOLTS	AMPS	CURRENT PHASE	Activation Flow Rate	TEMPERATURE RISE IN °F / GALLONS PER MINUTE			AWG#
						0.5 GPM	1.0 GPM	1.5 GPM	
AHSH2500	2.5	110V	23	SINGLE	.48 GPM	47°F	24°F		10-2
AHSH5000	5	220V	23	SINGLE	.48 GPM	64°F	32°F	22°F	10-2

SUGGESTED SPECIFICATIONS

(Based on applications given)

Tankless water heater to be used is Based on the following information given,

this tankless water heater max output is _____ kW, and draws _____ amps , on a _____ VAC voltage circuit,

To heat _____ GPM, @ a _____ Temperature rise.

Product shall have full ABS plastic enclosure. Will be equipped with a non-replaceable immersed heating element. Inlet water connections are female 1/2" NPT. Product is also IXP 4 water proof. The product must be installed in its upright position,. Product must be installed using a GFCI circuit breaker, also can be hard wired using junction box, fed by main panel GFCI circuit breaker. NOTE: Check all of the electrical ratings on chart for product information, and proper circuit breaker selection. Product will be equipped with a pigtail wire already connected to terminal block inside the product, and its AWG is that of its maximum amperage capacity.