

SPECIFICATIONS

3VIR12HP230V1AO / 3VIR12HP230V1AH

System Type		HEAT PUMP	
SYSTEM PERFORMANCE			
Cooling	Rated Capacity @ 95°F	Btu/h	12000
	Min-Max Capacity	Btu/h	3071 - 14100
	Rated Power Input (Min - Max)	W	220 - 1400
Heating	Rated Capacity @ 47°F	Btu/h	12000
	Rated Capacity @ 17°F	Btu/h	7300
	Min-Max Capacity	Btu/h	3071 - 15500
	Rated Power Input (Min - Max)	W	220 - 1500
SEER / EER		25 / 13	
HSPF / COP		11.5 / 3.61	
Energy Star®		YES	
Cooling Temperature Range		°F	-20 - 122
Heating Temperature Range		°F	-22 - 86
INDOOR UNIT		3VIR12HP230V1AH	
Fan Motor Output Power		W	15
Fan Motor FLA		amps	0.2
Air Flow (Min - Max)		CFM	230 - 400
Sound Pressure Level (Cooling / Heating)		dB(A)	27 - 43
Dehumidification		pt/hr	3
Condensate Drain Size (OD)		in	5 / 8
Unit Dimension (WxHxD)		in	32 1/2 X 11 1/2 X 7 3/4
Package Dimension (WxHxD)		in	34 1/4 X 13 3/4 X 10 1/8
Weight (Net / Gross)		lbs	21 / 25.4
OUTDOOR UNIT		3VIR12HP230V1AO	
Compressor Type		G-10 / 1-Stage Inverter	
Compressor RLA		amps	6.6
Fan Motor Output Power		W	30
Fan Motor RLA		amps	0.37
Sound Pressure Level (Cooling / Heating)		dB(A)	52
Unit Dimension (WxHxD)		in	35 3/8 X 23 1/2 X 14 7/8
Package Dimension (WxHxD)		in	37 3/16 X 24 7/8 X 16 1/2
Weight (Net / Gross)		lbs	83.8/90.4
Refrigerant Charge - R410A		oz	47.3
Coil Type		Aluminum Fin / Copper Tube	
REFRIGERANT PIPING			
Line Set Size (Liquid - Gas)		in	1/4 - 1/2
Pre-Charge Length		ft	25
Pipe Length (Min - Max)		ft	10 / 66
Max. Pipe Elevation		ft	33
ELECTRICAL			
Power Supply (Voltage Operating Range)		208-230V / 1Ph / 60Hz	
Rated Current (Cooling / Heating)		amps	4 / 7.5
MCA / MOCP		amps	10 / 15
Main Power Wire Size		AWG	Size Per Local Code
Interconnecting Wire Size		AWG	14 / 4
LIMITED WARRANTY			

EXTENDED RATINGS

3VIR12HP230V1AO / 3VIR12HP230V1AH

COOLING PERFORMANCE						HEATING PERFORMANCE				
Outdoor Ambient Temperature (DB)		Return Air Temperature				Outdoor Ambient Temperature (DB)		Return Air Temperature		
		80°F (DB)						70°F (DB)		
		TC (Btu/h)	SHR	EER	Power Input (W)			TC (Btu/h)	COP	Power Input (W)
MAX OUTPUT	-20°F	5380	3834	3.21	491	MAX OUTPUT	-22°F	4800	1.38	1019
	-15°F	5530	3959	3.23	502		-20°F	4980	1.41	1033
	-10°F	5680	4084	3.24	513		-15°F	5160	1.44	1048
	-5°F	5840	4217	3.25	526		-10°F	5460	1.51	1062
	0°F	6000	4350	3.26	539		-5°F	5760	1.57	1077
	5°F	6240	4555	3.33	550		0°F	7800	2.09	1096
	10°F	6420	4703	3.33	567		5°F	9000	2.36	1116
	15°F	6600	4851	3.32	583		10°F	9600	2.61	1077
	20°F	6900	5090	3.35	605		15°F	10140	2.77	1072
	25°F	7200	5328	3.37	627		17°F	10680	2.93	1067
	30°F	7680	5722	3.41	660		20°F	10800	3.11	1019
	35°F	8040	6011	3.43	688		25°F	10920	3.23	989
	40°F	8400	6300	3.44	715		30°F	11160	3.34	980
	45°F	8760	6593	3.32	776		35°F	11280	3.47	955
	50°F	9120	6886	3.20	836		40°F	11400	3.59	931
	55°F	9420	7136	3.22	858		45°F	11760	3.63	951
	60°F	9720	7387	3.24	880		47°F	11880	3.63	960
	65°F	10380	7916	3.26	935		50°F	12000	3.63	970
	70°F	11040	8446	3.27	990		55°F	12960	3.80	999
	75°F	12120	9332	3.40	1045		60°F	13800	3.93	1028
	80°F	12600	9735	3.48	1062		65°F	13200	3.66	1057
	85°F	13080	10137	3.56	1078		70°F	12720	3.49	1067
	90°F	12540	9749	3.38	1089		75°F	11880	3.23	1077
	95°F	12000	9360	3.20	1100		80°F	11160	3.12	1048
	100°F	11400	8919	2.93	1144		86°F	10360	2.91	1044
	105°F	10800	8478	2.66	1188					
110°F	10440	8221	2.50	1227						
115°F	10080	7963	2.34	1265						
120°F	9480	7511	2.19	1271						
122°F	8880	7060	2.04	1276						

LEGEND: W - Watts
 DB - Dry Bulb
 TC - Total Capacity
 SHR - Sensible Heat Ratio
 COP - Coefficient of Performance

FEATURES & FUNCTIONS SUMMARY

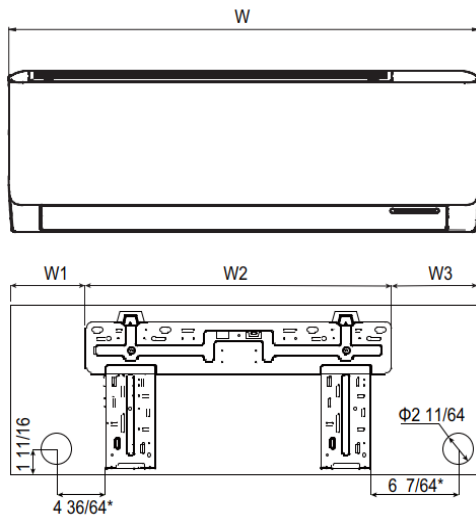
3VIR12HP230V1AO / 3VIR12HP230V1AH

SYSTEM FEATURES

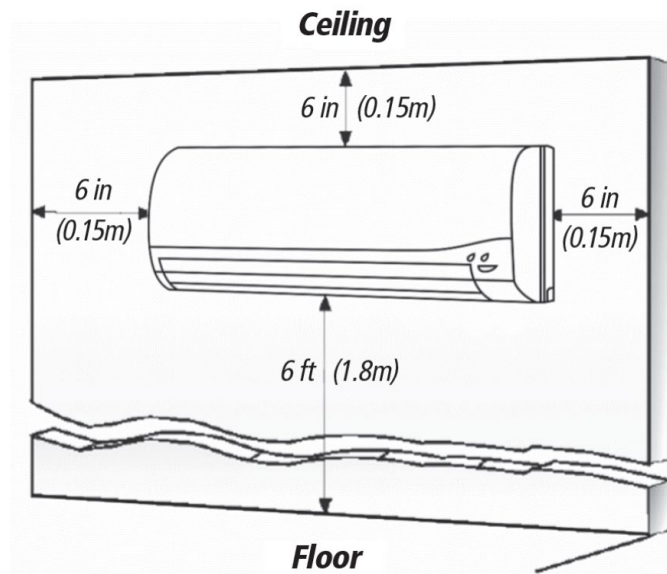
Inverter Type	G10
Ultra Low Frequency Torque Control	Yes
Power Factor Correction	Yes
Compressor Type - Inverter	High Efficiency Rotary
Basepan With Electric Heater	Yes
Indoor & Outdoor Fin Coating (Blue Fin)	Yes
Intelligent Defrosting	Yes
Intelligent Preheating	Yes
Low Voltage Startup	Yes
Memory/Power Failure Recovery	Yes
Self Diagnosis	Yes
Wired Controller Interface (XE71 or XK76 optional)	Yes
WiFi Included	Yes
NEW! Easy Service Access	Yes
Indoor Fan Type	Crossflow
Multi Fan Speeds	7 Speeds
Indoor Unit Display	Yes
Auxiliary Electrical Heater	No
Ventilation (Outdoor Air)	No

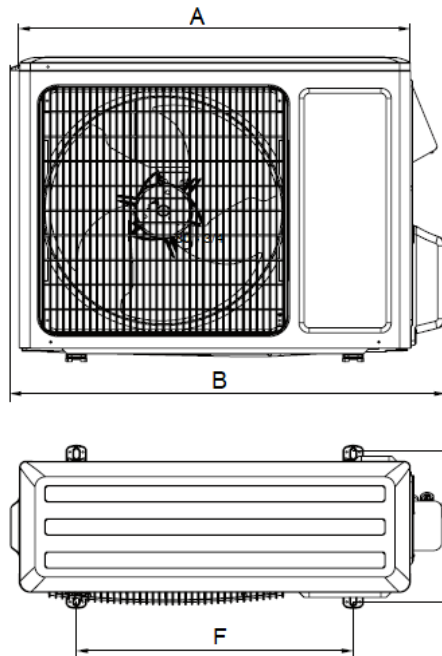
REMOTE CONTROLLER FUNCTIONS

NEW! Auto Clean	Yes
Auto Mode	Yes
Auto Fan	Yes
Auto Swing (Horizontal Auto Swing)	Yes
Auto Swing - 180° (Vertical Auto Swing)	Yes
Clock	Yes
Dry Mode	Yes
Dry Anti-Mildew (X-Fan) Mode	Yes
Energy Saving Mode	Yes
Dirty Filter Alert	No
Fan Speed Control (7 Speeds)	Yes
I Feel Function	Yes
Privacy Lock	Yes
Quiet Mode	Yes
Room Temperature Display	No
Sleep Mode	Yes
3 Sleep Mode Options	Yes
Timer Mode	Yes
Turbo Mode	Yes
Display On/Off Control	Yes
Freeze Guard Mode	Yes
Power Failure Mode	Yes



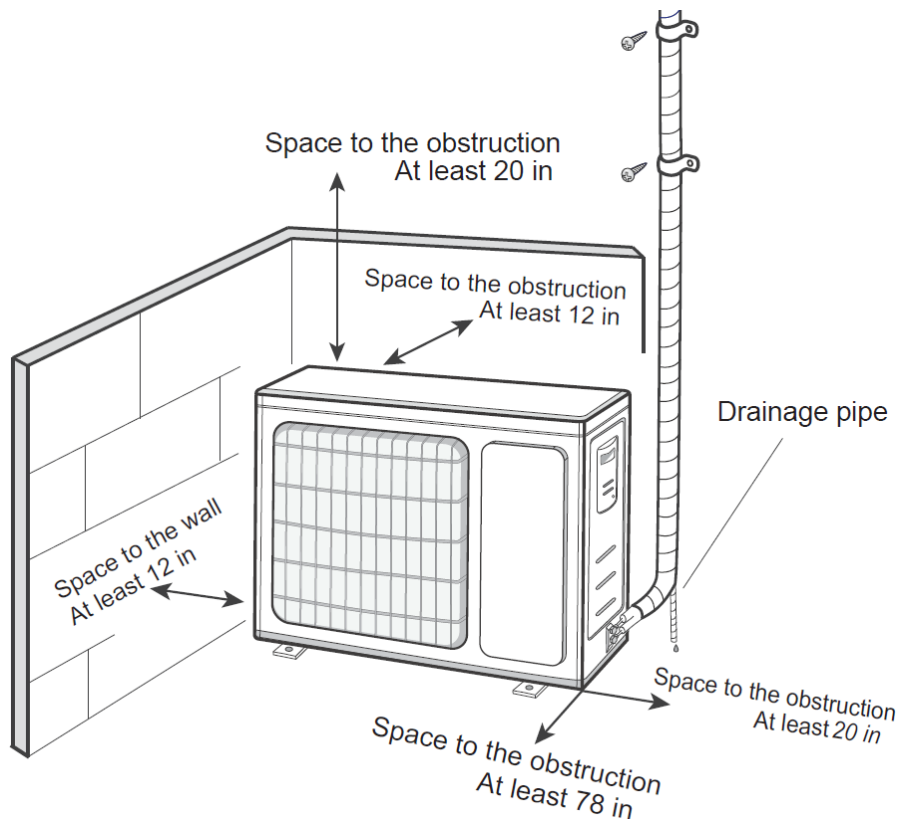
Dimensions	
W	32 1/2
D	7 3/4
H	11 1/2
W1	4 7/16
W2	21 3/8
W3	6 11/16





Dimensions	
A	30 3/4
B	33 3/8
C	23 1/2
D	10 1/8
E	12 5/8
F	21 5/16
G	11 5/16

Unit:inch



Specifications are subject to change without notice. Manufacturer reserves the right to discontinue or modify specifications or designs without notice or without incurring obligations. All Rights reserved.