



Standard Efficiency Air Conditioner Direct-Drive Packaged Rooftop Unit 7.5 - 12.5 Tons DFC Light Commercial

7.5-10 Ton 15 IEER / 11.2 EER

12.5 Ton 14.4 IEER / 11 EER



* Complete warranty details available from your local distributor or manufacturer's representative or at www.daikincomfort.com or www.daikinac.com



Our Perfect Package:

Harnessing energy-efficient performance, proven technology, and enhanced comfort for life.

Since becoming the first company in Japan to manufacture packaged air conditioning systems, in 1951, Daikin has supported comfortable indoor living based on the strengths and technologies that have led to the growth of the company becoming one of the world's largest manufacturers of HVAC products, systems and refrigerants.

Today, as a comprehensive global manufacturer of HVAC products and systems, the Daikin brand is committed to being recognized as a truly global and excellent company capable of continually creating new value for its customers. The company plans to pursue sustainable growth and foster business operations that consistently harmonize with the goals of improving indoor comfort.

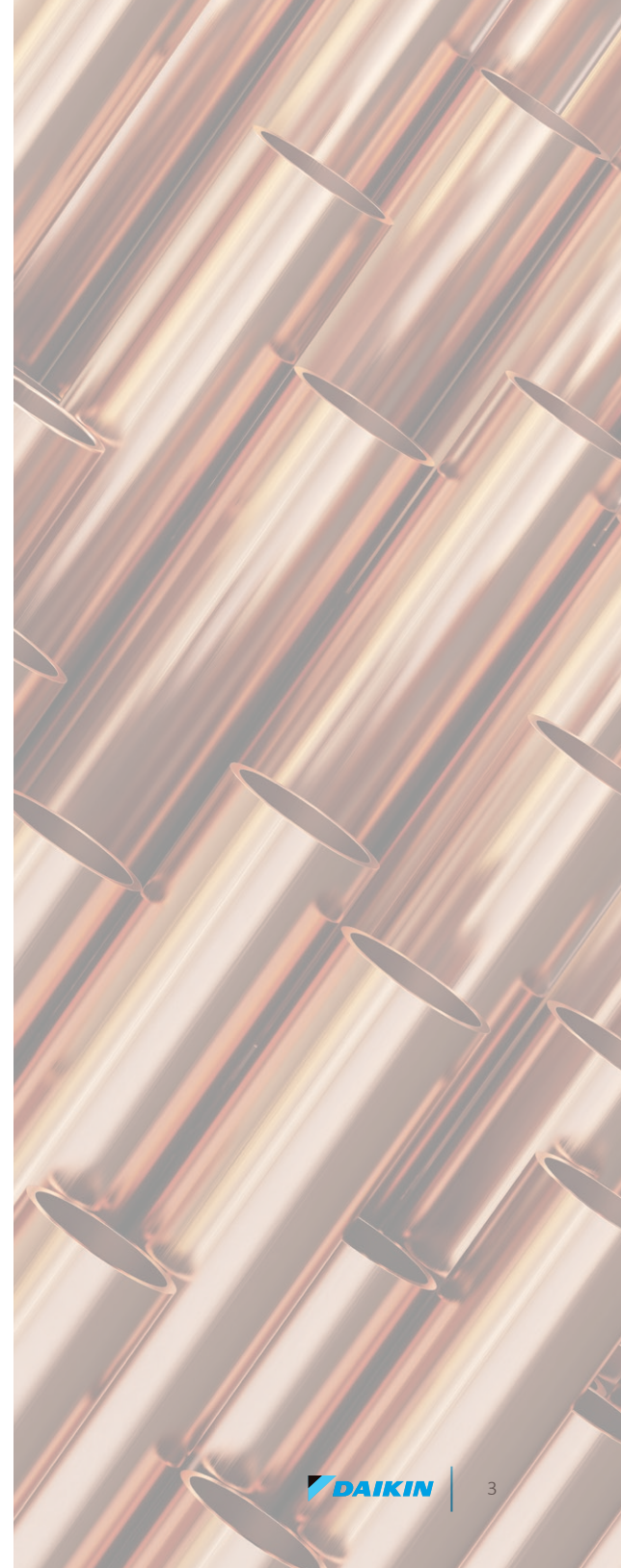
The group philosophy of the company includes:

- » Creating new value continuously for customers
- » Developing world leading energy-saving technology
- » Being a flexible and dynamic organization
- » Allowing employees to be the driving force for the success of the company
- » Fostering an atmosphere of best practices, boldness, and innovation
- » Thinking and acting globally



Contents

2	Introduction	2
4	Nomenclature	4
5	Features and Benefits	5
	Applications	8
	Serviceability	8
9	Product Specifications	9
	Coil Dimensions	14
	AHRI Ratings	14
	Sound Data	14
15	Expanding Cooling Data	15
23	Electric Heater Data	23
24	Air Flow	24
41	Static Pressure	41
42	Electrical Data	72
51	Wiring Diagrams	51
52	Dimensional Data	52
53	Electrical Connections	53
	Unit Clearances	53
54	Installation	54
	Weights	54



Nomenclature

	D	F	C	036	3	S	045	C	A	A	X	X	X	X	X	X	X	A	*	
	1	2	3	4,5,6	7	8	9,10,11	12	13	14	15	16	17	18	19	20	21	22	23	24
Brand																				Revision Levels
D Daikin																				Major & Minor
Configuration																				PE Connection
F Standard Efficiency																				X No Options
R High Efficiency																				
Application																				IAQ
C Cooling																				X No Options
G Gas/Electric																				B Single-point power connection for Power Exhaust
H Heat Pump																				
Nominal Cooling Capacity																				Service Options
036 3 Tons 090 7½ Tons 180 15 Tons																				X No Option
048 4 Tons 102 8½ Tons 240 20 Tons																				A Powered convenience outlet
060 5 Tons 120 10 Tons 300 25 Tons																				B Non-powered convenience outlet
072 6 Tons 150 12½ tons																				C Hinge Panels
Voltage																				D Hinged Panels and Powered convenience outlet
1 208-230/1/60 4 460/3/60																				E Hinged Panels and non-powered convenience outlet
3 208-230/3/60 7 575/3/60																				
Supply Fan/Drive Type/Motor																				Electrical
D Direct Drive - Standard Static																				X No Options
L Direct Drive - Medium Static																				A Non-Fused Disconnect
W Direct Drive - High Static																				B Phase Monitor
Nominal Heating Capacity																				C Thru-the-base connections
Gas/Electric																				E Non-Fused Disconnect and Phase Monitor
045 45,000 BTU/h XXX No Heat XXX No Heat																				F Non-Fused Disconnect and Thru-the-base connections
060 60,000 BTU/h 005 5kW 022 20 kW																				H Phase Monitor and Thru-the-base connections
070 70,000 BTU/h 006 5kW 023 20 kW																				L Non-Fused Disconnect, Thru-the-base connections and Phase Monitor
080 80,000 BTU/h 010 10 kW 030 30 kW																				
090 90,000 BTU/h 011 10 kW 031 30 kW																				Economizer
100 100,000 BTU/h 015 15 kW 032 30 kW																				X No Options
115 115,000 BTU/h 016 15 kW 045 45kW																				A Ultra Low-Leak Downflow Economizer w/ Enthalpy Sensor
125 125,000 BTU/h 017 15 kW 046 45kW																				B Low-Leak Downflow Economizer w/ Enthalpy Sensor
130 130,000 BTU/h 018 18 kW 060 60kW																				G Ultra Low-Leak Downflow Economizer w/ Dry Bulb Sensor
140 140,000 BTU/h 020 20 kW 075 75kW																				H Low-Leak Downflow Economizer w/ Dry Bulb Sensor
150 150,000 BTU/h 021 20 kW																				L Ultra Low-Leak Downflow Economizer for DDC controls w/ Dry Bulb Sensor
180 180,000 BTU/h																				N Low-Leak Downflow Economizer for DDC controls w/ Enthalpy Sensor
210 210,000 BTU/h																				P Low-Leak Downflow Economizer for DDC controls w/ Dry Bulb Sensor
225 225,000 BTU/h																				
240 240,000 BTU/h																				Coils, Hail guard
350 350,000 BTU/h																				X No Options
400 400,000 BTU/h																				A E-coat outdoor
																				C Hail Guard
																				D E-coat outdoor w/ Hail Guard
Refrigeration Systems																				Sensors
A Single stage cooling modes																				X No Options
C Two stage cooling modes																				A RA Smoke Detector
F Two stage cooling modes with Hot Gas Reheat and Low-ambient control																				B SA Smoke Detector
Heat Exchanger																				C RA & SA Smoke Detector
X No options																				
A Standard Aluminized Exchanger																				
S Stainless Steel Exchanger																				
U Ultra Low NoX Stainless Steel Exchanger																				
Controls																				
A Electro-mechanical controls																				
B DDC w/ BACnet interface																				

AC Stocking Models	
New Daikin 7.5-12.5 Ton Direct-Drive	
MODEL NUMBER	CODE STRING
DFC0903D000001S	DFC0903DXXXXCAXXXXXXXXXX
DFC0904D000001S	DFC0904DXXXXCAXXXXXXXXXX
DFC0907D000001S	DFC0907DXXXXCAXXXXXXXXXX
DFC1023D000001S	DFC1023DXXXXCAXXXXXXXXXX
DFC1024D000001S	DFC1024DXXXXCAXXXXXXXXXX
DFC1027D000001S	DFC1027DXXXXCAXXXXXXXXXX
DFC1203D000001S	DFC1203DXXXXCAXXXXXXXXXX
DFC1204D000001S	DFC1204DXXXXCAXXXXXXXXXX
DFC1207D000001S	DFC1207DXXXXCAXXXXXXXXXX
DFC1503D000001S	DFC1503DXXXXCAXXXXXXXXXX
DFC1504D000001S	DFC1504DXXXXCAXXXXXXXXXX
DFC1507D000001S	DFC1507DXXXXCAXXXXXXXXXX
DFC1503W000001F	DFC1503LXXXXCAXXXXXXXXXX
DFC1504W000001F	DFC1504LXXXXCAXXXXXXXXXX
DFC1507W000001F	DFC1507LXXXXCAXXXXXXXXXX

Features and Benefits

Daikin Packaged Rooftop Units (RTUs) are built to perform, with features and options that help provide low installation and operation costs, superior indoor air quality, efficient operation, and longevity.

Installation

Daikin Packaged units are designed with fast and easy installation in mind and are ideal for both new construction and retrofit projects. Our packaged rooftop units are built to be a direct replacement for most rooftop units in the field without the need of a curb adapter.

Cabinet Construction

Daikin packaged rooftop units are made with high quality galvanized steel with a powder-paint finish to provide higher corrosion resistance.

- » Easy accessibility using our tool-less filter access.
- » Unit is fully insulated to prevent sweating and thermal losses, using our foil face fiberglass insulation which also omits exposed filter fibers into the airstream
- » 1" Raised flanged edges around the supply and return offer easy installation for the duct connections.
- » The full perimeter base rail is built using heavy gauge galvanized steel for a stronger structural installation, the base rails are a minimum of 3 ½" tall and include holes to allow for overhead rigging and lifting with forklifts.

- » Electrical lines and can be brought through the base of the unit or through the horizontal knockout for easy installation and accessibility on the field.

Compressor

High performance, low noise scroll compressors to match the required total load.

- » Resiliently factory-mounted on rubber grommets for vibration isolation
- » Refrigeration circuits includes both low and high pressure safety switches.
- » Unit is factory charged with environmentally friendly R-410A refrigerant.
- » Two single-stage scroll compressor
- » Compressors located outside the condenser section to avoid air bypass.
- » Internal overload protection included with compressor.

Supply Fan

Indoor forward curved fan, paired with direct-drive motor, provide for easy airflow control.

- » Ball bearing Direct-Drive EEM motor removes the need for belts, sheaves, bearings and lubrication.
- » Slide out forward curb fan for easy maintenance and replacement.
- » High-static drive options for application with high airflow/ static requirements.
- » Each fan assembly is dynamically trim balanced at the factory before shipment for quick start-up and efficient operation.
- » Motor with thermal overload is provided for motor long lasting operation.

Coils

All units use large face area outdoor coils. These coils are constructed with microchannel technology for high operating efficiencies.

The indoor coil section is installed in a draw through configuration to provide better dehumidification.

- » Microchannel heat exchanger technology on all condenser coils for improved performance and reduced refrigerant load.
- » All units use large face area outdoor coils.
- » Coils are factory pressure tested to ensure pressure and leak integrity.
- » Copper tube / aluminum fin coils evaporator coils



Controls and Wiring

Packaged rooftop units come equipped with a well-organized, large, easy to use weatherproof internal control box with easy access, for a better user experience.

- » Units are factory-wired with color-coded wires and complete 24-volt Electromechanical controls package.
- » Units include single-point power entry as standard and also available with electric heat kits if selected.
- » Terminal strip is provided as standard for easy installation and low voltage power wiring.

Filtration

Unit provides a draw-through filter section as standard for better air quality and long lasting component maintenance.

- » Filters installed on the units are standard off the shelf sizes for easy replacement.
- » Tool-less filter access for easy and fast filter replacement and service.

Heating Section

Wide range of electric heat selections effectively handle most comfort heating demand from morning warm-up control to full heat.

Electric Heat

ETL approved electric heat is factory assembled, installed and tested.

- » Heating control is fully integrated into the unit's control system for quick start-up and reliable control.
- » Durable low watt density, nickel chromium elements provide longer life (compared to units without).
- » Fuses are provided in each branch circuit to a maximum of 48 Amps per NEC requirements.
- » Single-point power connection reduces installation cost.
- » For operational safeties electric heat includes automatic reset, and high temperature limit safety protection.

Electrical

Units are completely wired and tested at the factory to provide faster commissioning and start-up.

- » Wiring complies with NEC requirements and all applicable UL standards.
- » Units are factory-wired with color-coded wires and complete 24-volt electromechanical controls package.
- » A 115 V GFI convenience receptacle requiring independent power supply for the receptacle is optional.
- » An optional unit powered 20 amp 115 V convenience receptacle, complete with factory mounted transformer, disconnect switch, and primary and secondary overload protection, eliminates the need to pull a separate 115 V power source.
- » Supply air fan, compressor, and condenser fan motor branch circuits have individual short circuit protection.
- » A single-point power connection with power block is standard and a terminal strip is provided for connecting low voltage control wiring.
- » For better serviceability an optional non-fused disconnect switch can be installed inside the control panel and operated by an externally mounted handle to disconnect the electrical power at the unit



Applications

Daikin Rooftop units are intended for comfort cooling applications in normal heating, ventilating, and air conditioning. Consult your local Daikin sales representative for applications involving operations at high ambient temperatures, high altitudes, non-cataloged voltages, or for job-specific unit selections that fall outside of the range of the catalog tables.

For proper operation, units should be rigged in accordance with instructions stated on the installation manual. Fire dampers, if required, must be installed in the ductwork according to local and/or state codes. No space is allowed for these dampers in the unit.

Follow factory check, test and start procedures explicitly to achieve satisfactory start-up and operation.

Most rooftop applications take advantage of the significant energy savings provided with economizer operation. When an economizer system is used, mechanical refrigeration is typically not required below an ambient temperature of 50°F.

Serviceability

Daikin packaged rooftop units are built with serviceability in mind, designed to make future maintenance and service on the unit easy and accessible.

- » Our packaged rooftop units offer a slide out blower to facilitate the access and removal of the fan.
- » Filter panels offer tool-less access for easy maintenance.
- » Independent compressors outside of the air bypass to eliminate component blockage and provide easy access.
- » Color coded wire to identify point-to-point component connections.
- » All 7.5-12.5 ton units are designed for convertible airflow orientation to serve downflow or horizontal applications. Every unit ships prepared to convert to horizontal orientation in the field if required.



Model	DFC0903D000001S	DFC0904D000001S	DFC0907D000001S
COOLING CAPACITY			
Total BTU/H	86,000	86,000	86,000
IEER / EER	15/11.2	15/11.2	15/11.2
AHRI Reference #	210240215	210240215	210240215
EVAPORATOR MOTOR / RTPF (ROUND TUBE PLATE FIN)			
Motor Type	Direct Drive	Direct Drive	Direct Drive
External Static Pressure (ESP)	Standard	Standard	Standard
Wheel Dia. X Width	15x12	15x12	15x12
Indoor Nominal CFM	3020	3020	3020
RPM	300-1600	300-1600	300-1600
Indoor Horsepower	2.4	2.4	2.4
Filter Size (in)	20 X 20 X 2 (2) 20 X 25 X 2 (2)	20 X 20 X 2 (2) 20 X 25 X 2 (2)	20 X 20 X 2 (2) 20 X 25 X 2 (2)
Drain Size (NPT)	3/4	3/4	3/4
R-410A Refrigerant Charge (oz.) Cir #1 & 2	67/65.4	67/65.4	67/65.4
Evaporator Coil Face Area (ft ²)	13.4	13.4	13.4
Rows Deep/ Fins per Inch	2 / 16	2 / 16	2 / 16
CONDENSER FAN / MCHX (MICROCHANNEL HEAT EXCHANGER)			
Quantity of Condenser Fan Motors	2	2	2
RPM (High/Low stage)	1120	1050	1050
Outdoor Horsepower	1/3	1/3	1/3
Fan Diameter/ # Fan Blades	22 / 3	22 / 3	22 / 3
Face Area (ft ²)	29.1	29.1	29.1
Rows Deep / Fins per Inch	1 / 23	1 / 23	1 / 23
COMPRESSOR			
Quantity / Type / Stages per Compressor	2/ Scroll / 1	2/ Scroll / 1	2/ Scroll / 1
Compressor RLA / LRA	13.1/ 83.1	6.1 / 41	4.4 / 33
ELECTRICAL DATA			
Voltage-Phase-Frequency	208/230-3-60	460-3-60	575-3-60
Indoor Blower FLA	8	5.4	4.0
Max External Static (In. W.C.)	0.8	0.8	0.8
Outdoor Fan FLA	2	0.85	0.67
Min. Circuit Ampacity ¹	41.6 / 41.6	20.8	15.1
Max. Overcurrent Protection (A) ²	50/50	25	20
Power Supply Conduit Hole Dia. (in)	1.375	1.375	1.375
Low-Voltage Conduit Hole Dia. (in)	0.5	0.5	0.5
OPERATING WEIGHT (LBS.)			
Operating Weight (lbs)	980	980	980
SHIPPING WEIGHT (LBS.)			
Ship Weight (lbs)	1060	1060	1060

¹ Wire size should be determined in accordance with National Electrical Codes. Extensive wire runs will require larger wire sizes.

² May use fuses or HACR-type circuit breakers of the same size as noted.

Note: Always check the S&R plate for electrical data on the unit being installed.

Model	DFC1023D000001S	DFC1024D000001S	DFC1027D000001S
COOLING CAPACITY			
Total BTU/H	97,000	97,000	97,000
IEER / EER	15/11.2	15/11.2	15/11.2
AHRI Reference #	210240224	210240224	210240224
EVAPORATOR MOTOR / RTPF (ROUND TUBE PLATE FIN)			
Motor Type	Direct Drive	Direct Drive	Direct Drive
External Static Pressure (ESP)	Standard	Standard	Standard
Wheel Dia. X Width	15x12	15x12	15x12
Indoor Nominal CFM	3230	3230	3230
RPM	300-1600	300-1600	300-1600
Indoor Horsepower	2.4	2.4	2.4
Filter Size (in)	20 X 20 X 2 (2) 20 X 25 X 2 (2)	20 X 20 X 2 (2) 20 X 25 X 2 (2)	20 X 20 X 2 (2) 20 X 25 X 2 (2)
Drain Size (NPT)	3/4	3/4	3/4
R-410A Refrigerant Charge (oz.) Cir #1 & 2	71/68	71/68	71/68
Evaporator Coil Face Area (ft ²)	13.4	13.4	13.4
Rows Deep / Fins per Inch	2 / 16	2 / 16	2 / 16
CONDENSER FAN / MCHX (MICROCHANNEL HEAT EXCHANGER)			
Quantity of Condenser Fan Motors	2	2	2
RPM (High/Low stage)	1120	1050	1050
Outdoor Horsepower	1/3	1/3	1/3
Fan Diameter / # Fan Blades	22 / 3	22 / 3	22 / 3
Face Area (ft ²)	29.1	29.1	29.1
Rows Deep / Fins per Inch	1 / 23	1 / 23	1 / 23
COMPRESSOR			
Quantity / Type / Stages per Compressor	2 / Scroll / 1	2 / Scroll / 1	2 / Scroll / 1
Compressor RLA / LRA	14.5/98	6.3 / 55	6/41
ELECTRICAL DATA			
Voltage-Phase-Frequency	208/230-3-60	460-3-60	575-3-60
Indoor Blower FLA	8	5.4	4.0
Max External Static (In. W.C.)	0.8	0.8	0.8
Outdoor Fan FLA	2	0.85	0.67
Min. Circuit Ampacity ¹	44.6 / 44.6	21.4	18.9
Max. Overcurrent Protection (A) ²	50 / 50	25	20
Power Supply Conduit Hole Dia. (in)	1.375	1.375	1.375
Low-Voltage Conduit Hole Dia. (in)	0.5	0.5	0.5
OPERATING WEIGHT (LBS.)			
Operating Weight (lbs)	1000	1000	1000
SHIPPING WEIGHT (LBS.)			
Ship Weight (lbs)	1080	1080	1080

¹ Wire size should be determined in accordance with National Electrical Codes. Extensive wire runs will require larger wire sizes.

² May use fuses or HACR-type circuit breakers of the same size as noted.

Note: Always check the S&R plate for electrical data on the unit being installed.

Model	DFC1203D000001S	DFC1204D000001S	DFC1207D000001S
COOLING CAPACITY			
Total BTU/H	116,000	116,000	116,000
IEER / EER	15/11.2	15/11.2	15/11.2
AHRI Reference #	210240230	210240230	210240230
EVAPORATOR MOTOR / RTPF (ROUND TUBE PLATE FIN)			
Motor Type	Direct Drive	Direct Drive	Direct Drive
External Static Pressure (ESP)	Standard	Standard	Standard
Wheel Dia. X Width	15x15	15x15	15x15
Indoor Nominal CFM	3380	3380	3380
RPM	300-1600	300-1600	300-1600
Indoor Horsepower	2.4	2.4	2.4
Filter Size (in)	20 X 25 X 2 (2)	20 X 25 X 2 (2)	20 X 25 X 2 (2)
Drain Size (NPT)	3/4	3/4	3/4
R-410A Refrigerant Charge (oz.) Cir #1 & 2	79/82	79/82	79/82
Evaporator Coil Face Area (ft ²)	16.2	16.2	16.2
Rows Deep/ Fins per Inch	3 / 16	3 / 16	3 / 16
CONDENSER FAN / MCHX (MICROCHANNEL HEAT EXCHANGER)			
Quantity of Condenser Fan Motors	2	2	2
RPM (High/Low stage)	1120	1050	1050
Outdoor Horsepower	1/3	1/3	1/3
Fan Diameter/ # Fan Blades	22 / 3	22 / 3	22 / 3
Face Area (ft ²)	29.1	29.1	29.1
Rows Deep / Fins per Inch	1 / 23	1 / 23	1 / 23
COMPRESSOR			
Quantity / Type / Stages per Compressor	2/ Scroll / 1	2/ Scroll / 1	2/ Scroll / 1
Compressor RLA / LRA	15.6/ 110.0	7.8 / 52.0	5.8 / 38.9
ELECTRICAL DATA			
Voltage-Phase-Frequency	208/230-3-60	460-3-60	575-3-60
Indoor Blower FLA	8	5.4	4.0
Max External Static (In. W.C.)	0.8	0.8	0.8
Outdoor Fan FLA	2	0.85	0.67
Min. Circuit Ampacity ¹	47.2/47.2	24.6	18.5
Max. Overcurrent Protection (A) ²	60/60	30	20
Power Supply Conduit Hole Dia. (in)	1.375	1.375	1.375
Low-Voltage Conduit Hole Dia. (in)	0.5	0.5	0.5
OPERATING WEIGHT (LBS.)			
Operating Weight (lbs)	1059	1059	1059
SHIPPING WEIGHT (LBS.)			
Ship Weight (lbs)	1139	1139	1139

¹ Wire size should be determined in accordance with National Electrical Codes. Extensive wire runs will require larger wire sizes.

² May use fuses or HACR-type circuit breakers of the same size as noted.

Note: Always check the S&R plate for electrical data on the unit being installed.

Model	DFC1503D000001S	DFC1504D000001S	DFC1507D000001S
COOLING CAPACITY			
Total BTU/H	140,000	140,000	140,000
IEER / EER	14.4/11	14.4/11	14.4/11
AHRI Reference #	210240237	210240237	210240237
EVAPORATOR MOTOR / RTPF (ROUND TUBE PLATE FIN)			
Motor Type	Direct Drive	Direct Drive	Direct Drive
External Static Pressure (ESP)	Standard	Standard	Standard
Wheel Dia. X Width	15x15	15x15	15x15
Indoor Nominal CFM	4200	4200	4200
RPM	300-1600	300-1600	300-1600
Indoor Horsepower	3.5	3.5	3.5
Filter Size (in)	20 X 25 X 2 (2)	20 X 25 X 2 (2)	20 X 25 X 2 (2)
	25 X 25 X 2 (2)	25 X 25 X 2 (2)	25 X 25 X 2 (2)
Drain Size (NPT)	3/4	3/4	3/4
R-410A Refrigerant Charge (oz.) Cir #1 & 2	148/142	148/142	148/142
Evaporator Coil Face Area (ft ²)	16.2	16.2	16.2
Rows Deep/ Fins per Inch	4 / 16	4 / 16	4 / 16
CONDENSER FAN / MCHX (MICROCHANNEL HEAT EXCHANGER)			
Quantity of Condenser Fan Motors	2	2	2
RPM (High/Low stage)	1130	1115	1075
Outdoor Horsepower	1/2	1/2	1/2
Fan Diameter / # Fan Blades	22 / 3	22 / 3	22 / 3
Face Area (ft ²)	40.8	40.8	40.8
Rows Deep / Fins per Inch	1 / 23	1 / 23	1 / 23
COMPRESSOR			
Quantity / Type / Stages per Compressor	2/ Scroll / 1	2/ Scroll / 1	2/ Scroll / 1
Compressor RLA / LRA	19/123	9.7/62	7.4/50
ELECTRICAL DATA			
Voltage-Phase-Frequency	208/230-3-60	460-3-60	575-3-60
Indoor Blower FLA	10.9	7.2	5.0
Max External Static (In. W.C.)	0.8	0.8	0.8
Outdoor Fan FLA	2.7	1.4	1
Min. Circuit Ampacity ¹	59.1/59.1	31.9	23.7
Max. Overcurrent Protection (A) ²	70/70	40	30
Power Supply Conduit Hole Dia. (in)	1.375	1.375	1.375
Low-Voltage Conduit Hole Dia. (in)	0.5	0.5	0.5
OPERATING WEIGHT (LBS.)			
Operating Weight (lbs)	1150	1150	1150
SHIPPING WEIGHT (LBS.)			
Ship Weight (lbs)	1230	1230	1230

¹ Wire size should be determined in accordance with National Electrical Codes. Extensive wire runs will require larger wire sizes.

² May use fuses or HACR-type circuit breakers of the same size as noted.

Note: Always check the S&R plate for electrical data on the unit being installed.

Model	DFC1503W000001F	DFC1504W000001F	DFC1507W000001F
COOLING CAPACITY			
Total BTU/H	140,000	140,000	140,000
IEER / EER	14.4/11	14.4/11	14.4/11
AHRI Reference #	210240237	210240237	210240237
EVAPORATOR MOTOR / RTPF (ROUND TUBE PLATE FIN)			
Motor Type	Direct Drive	Direct Drive	Direct Drive
External Static Pressure (ESP)	High	High	High
Wheel Dia. X Width	15x15	15x15	15x15
Indoor Nominal CFM	4200	4200	4200
RPM	300-1600	300-1600	300-1600
Indoor Horsepower	5.0	5.0	5.0
Filter Size (in)	20 X 25 X 2 (2)	20 X 25 X 2 (2)	20 X 25 X 2 (2)
	25 X 25 X 2 (2)	25 X 25 X 2 (2)	25 X 25 X 2 (2)
Drain Size (NPT)	3/4	3/4	3/4
R-410A Refrigerant Charge (oz.) Cir #1 & 2	148/142	148/142	148/142
Evaporator Coil Face Area (ft ²)	16.2	16.2	16.2
Rows Deep/ Fins per Inch	4/ 16	4/ 16	4/ 16
CONDENSER FAN / MCHX (MICROCHANNEL HEAT EXCHANGER)			
Quantity of Condenser Fan Motors	2	2	2
RPM (High/Low stage)	1130	1115	1075
Outdoor Horsepower	1/2	1/2	1/2
Fan Diameter/ # Fan Blades	22 / 3	22 / 3	22 / 3
Face Area (ft ²)	40.8	40.8	40.8
Rows Deep / Fins per Inch	1 / 23	1 / 23	1 / 23
COMPRESSOR			
Quantity / Type / Stages per Compressor	2/ Scroll / 1	2/ Scroll / 1	2/ Scroll / 1
Compressor RLA / LRA	19/123	9.7/62	7.4/50
ELECTRICAL DATA			
Voltage-Phase-Frequency	208/230-3-60	460-3-60	575-3-60
Indoor Blower FLA	14.5	10.6	7.2
Max External Static (In. W.C.)	1.8	1.8	1.8
Outdoor Fan FLA	2.7	1.4	1
Min. Circuit Ampacity ¹	62.7/62.7	35.3	25.9
Max. Overcurrent Protection (A) ²	80/80	45	30
Power Supply Conduit Hole Dia. (in)	1.375	1.375	1.375
Low-Voltage Conduit Hole Dia. (in)	0.5	0.5	0.5
OPERATING WEIGHT (LBS.)			
Operating Weight (lbs)	1150	1150	1150
SHIPPING WEIGHT (LBS.)			
Ship Weight (lbs)	1230	1230	1230

¹ Wire size should be determined in accordance with National Electrical Codes. Extensive wire runs will require larger wire sizes.

² May use fuses or HACR-type circuit breakers of the same size as noted.

Note: Always check the S&R plate for electrical data on the unit being installed.

Coil Dimensions

Tons	Indoor			Outdoor		
	Fin height in.	Fin length in.	Area (Ft ²)	Fin height in.	Fin length in.	Area (Ft ²)
7.5	42.0	46.0	13.4	45.6	46.0	29.1
8.5	42.0	46.0	13.4	45.6	45.9	29.1
10	45.0	51.8	16.2	45.6	45.9	29.1
12.5	45.0	51.8	16.2	48.6	60.4	40.8

AHRI Ratings

Model	Cooling Capacity (BTU/hr)	EER	IEER
DFC0903D	88,000	11.2	15
DFC0904D	88,000	11.2	15
DFC0907D	88,000	11.2	15
DFC1023D	97,000	11.2	15
DFC1024D	97,000	11.2	15
DFC1027D	97,000	11.2	15
DFC1203D	116,000	11.2	15
DFC1204D	116,000	11.2	15
DFC1207D	116,000	11.2	15
DFC1503D	140,000	11.0	14.4
DFC1504D	140,000	11.0	14.4
DFC1507D	140,000	11.0	14.4

Sound Data

STATIC PRESSURE	7.5 TON SOUND (DB) AT 60 HZ										
	Indoor CFM	Component	A-Weighted	63	125	250	500	1000	2000	4000	8000
0.8	3,000	Discharge	68.7	92.1	76.0	63.9	62.6	62.1	57.2	56.3	46.4
		Inlet	63.8	87.9	72.4	64.4	58.2	52.2	46.9	47.1	46.3
1.4		Discharge	78.3	98.6	87.0	72.2	72.7	72.8	68.5	66.7	60.8
		Inlet	70.2	90.7	80.7	69.6	64.6	61.7	56.6	56.5	53
2.0		Discharge	82.4	97.6	88.4	85	77.1	77.1	72.5	71.7	67.3
		Inlet	74.8	92.6	84.0	78.2	69.9	66.5	61.8	62.1	58.4
N/A	N/A	Outdoor	82.6	89.2	86.0	83.1	79.2	77.3	74.2	69.6	67.7

STATIC PRESSURE	8.5 TON SOUND (DB) AT 60 HZ										
	Indoor CFM	Component	A-Weighted	63	125	250	500	1000	2000	4000	8000
0.8	3,400	Discharge	71.3	93.5	79.9	65.3	66.0	65.1	60.8	58.1	49.9
		Inlet	65.3	87.0	75.8	66.8	59.7	54.6	49.8	49.2	47.0
1.4		Discharge	81.5	99.6	88.8	78.8	76.4	76.6	71.5	70.3	64.9
		Inlet	73.1	91.4	82.8	74.6	67.4	66.2	60.0	60.5	56.7
2.0		Discharge	80.8	99.7	89.4	76.1	75.2	75.5	71.4	69.7	65.3
		Inlet	72.7	92.5	82.6	73.6	66.9	64.3	59.5	59.5	56.0
N/A	N/A	Outdoor	82.6	89.2	86.0	83.1	79.2	77.3	74.2	69.6	67.7

STATIC PRESSURE	10 TON SOUND (DB) AT 60 HZ										
	Indoor CFM	Component	A-Weighted	63	125	250	500	1000	2000	4000	8000
0.8	4,000	Discharge	74.5	92.3	82.2	71.0	70.8	69.0	64.1	65.6	55.6
		Inlet	67.2	88.8	76.6	66.8	62.2	58.5	54.7	52.4	47.4
1.4		Discharge	76.8	95.8	85.3	72.2	71.7	71.2	67.3	65.2	59.8
		Inlet	69.2	89.5	79.3	68.8	63.9	60.6	57.1	55.5	50.5
2.0		Discharge	77.1	96.2	85.3	72.5	72.0	71.5	67.6	65.3	59.9
		Inlet	71.0	91.7	81.2	70.8	65.2	62.0	58.8	57.4	53.1
N/A	N/A	Outdoor	82.6	89.2	86.0	83.1	79.2	77.3	74.2	69.6	67.7

STATIC PRESSURE	12.5 TON SOUND (DB) AT 60 HZ										
	Indoor CFM	Component	A-Weighted	63	125	250	500	1000	2000	4000	8000
0.8	5,000	Discharge	78.5	92.6	82.0	73.2	74.2	74.5	69.4	68.6	63.2
		Inlet	70.1	92.3	78.8	68.7	64.0	62.2	57.7	57.3	52.2
1.4		Discharge	79.5	93.1	84.7	77.1	74.9	75.4	69.9	68.9	63.8
		Inlet	72.0	91.9	82.6	72.5	66.4	63.8	59.5	58.8	53.8
2.0		Discharge	82.4	100.4	90.1	78.2	77.3	77.2	72.9	71.1	66.7
		Inlet	73.4	93.2	84.0	73.1	67.9	65.0	61.4	60.7	56.0
N/A	N/A	Outdoor	86.8	95.4	85.3	86.8	83.3	81.7	79.8	72.2	66.9

IDB		Airflow		Outdoor Ambient Temperature																							
				65				75				85				95				105				115			
				59	63	67	71	59	63	67	71	59	63	67	71	59	63	67	71	59	63	67	71	59	63	67	71
	MBh	89.5	90.8	93.5	-	88.7	90.0	92.7	-	86.4	87.7	90.3	-	82.4	83.6	86.3	-	77.5	78.7	81.4	-	73.0	74.2	76.9	-		
	S/T	0.70	0.58	0.41	-	0.71	0.60	0.42	-	0.74	0.61	0.43	-	0.76	0.63	0.44	-	0.77	0.66	0.45	-	0.81	0.66	0.46	-		
2625	ΔT	18.63	16.91	13.69	-	18.59	16.86	13.65	-	18.83	17.11	13.89	-	18.57	16.85	13.63	-	18.34	16.62	13.40	-	19.42	17.69	14.48	-		
	Hi PR	254	255	257	-	295	296	297	-	337	338	339	-	382	383	385	-	431	432	434	-	483	484	486	-		
	Lo PR	115	116	119	-	122	123	126	-	128	129	132	-	133	134	137	-	138	140	142	-	144	146	149	-		
70	MBh	90.7	92.0	94.6	-	89.9	91.2	93.8	-	87.6	88.8	91.5	-	83.5	84.8	87.5	-	78.6	79.9	82.6	-	74.1	75.4	78.1	-		
	S/T	0.72	0.60	0.42	-	0.73	0.61	0.43	-	0.76	0.63	0.45	-	0.78	0.65	0.46	-	0.80	0.67	0.47	-	0.82	0.69	0.48	-		
	ΔT	17.59	15.87	12.65	-	17.55	15.82	12.60	-	17.79	16.06	12.85	-	17.53	15.80	12.59	-	17.30	15.57	12.36	-	18.38	16.65	13.44	-		
3375	Hi PR	257	258	259	-	297	298	300	-	339	340	342	-	384	385	387	-	433	434	436	-	485	486	488	-		
	Lo PR	116	118	121	-	123	125	128	-	130	131	134	-	135	136	139	-	140	141	144	-	146	148	150	-		
	MBh	92.1	93.4	96.1	-	91.3	92.6	95.3	-	89.0	90.2	92.9	-	85.0	86.2	88.9	-	80.0	81.3	84.0	-	75.6	76.8	79.5	-		
	S/T	0.73	0.62	0.43	-	0.76	0.63	0.44	-	0.78	0.65	0.46	-	0.80	0.67	0.47	-	0.82	0.69	0.49	-	0.86	0.72	0.50	-		
	ΔT	16.72	14.99	11.78	-	16.67	14.95	11.73	-	16.91	15.19	11.97	-	16.65	14.93	11.71	-	16.42	14.70	11.48	-	17.50	15.78	12.56	-		
	Hi PR	259	260	262	-	299	300	302	-	341	342	344	-	386	387	389	-	435	436	438	-	487	488	490	-		
	Lo PR	118	120	123	-	125	127	130	-	131	133	136	-	137	138	141	-	142	143	146	-	148	149	152	-		

IDB		Airflow		Outdoor Ambient Temperature																							
				65				75				85				95				105				115			
				59	63	67	71	59	63	67	71	59	63	67	71	59	63	67	71	59	63	67	71	59	63	67	71
	MBh	89.6	90.8	93.5	97.6	88.8	90.0	92.7	96.8	86.4	87.7	90.4	94.5	82.4	83.7	86.4	90.4	77.5	78.8	81.4	85.5	73.0	74.3	75.2	81.0		
	S/T	0.80	0.69	0.53	0.36	0.83	0.74	0.53	0.41	0.83	0.74	0.54	0.38	0.85	0.75	0.56	0.42	0.88	0.80	0.58	0.45	0.89	0.81	0.61	0.46		
2625	ΔT	22.42	20.70	17.48	14.1	22.38	20.65	17.43	14.1	22.62	20.89	17.68	14.3	22.36	20.63	17.42	14.1	22.13	20.40	17.19	13.9	23.21	21.48	18.27	14.9		
	Hi PR	255	256	258	262	295	296	298	302	337	338	340	344	382	383	385	389	431	432	434	438	483	484	486	490		
	Lo PR	115	116	119	124	122	123	126	131	128	129	132	137	133	134	137	142	138	140	142	147	144	146	149	154		
75	MBh	90.8	92.0	94.7	98.8	90.0	91.2	93.9	98.0	87.6	88.9	91.6	95.6	83.6	84.9	87.5	91.6	78.7	79.9	82.6	86.7	74.2	75.5	78.1	82.2		
	S/T	0.82	0.72	0.56	0.41	0.84	0.75	0.56	0.42	0.85	0.76	0.57	0.43	0.87	0.78	0.59	0.46	0.91	0.82	0.61	0.47	0.92	0.83	0.62	0.47		
	ΔT	21.38	19.66	16.44	13.1	21.33	19.61	16.39	13.1	21.58	19.85	16.64	13.3	21.32	19.59	16.38	13.0	21.09	19.36	16.15	12.8	22.17	20.44	17.22	13.9		
3375	Hi PR	257	258	260	264	297	298	300	304	339	340	342	346	384	385	387	392	433	434	436	440	485	486	488	493		
	Lo PR	116	118	121	126	123	125	128	133	130	131	134	139	135	136	139	144	140	141	144	149	146	148	150	155		
	MBh	92.2	93.4	96.1	100.2	91.4	92.6	95.3	99.4	89.0	88.2	93.0	97.1	85.0	86.3	88.9	93.0	80.1	81.4	84.0	88.1	75.6	76.9	79.5	83.6		
	S/T	0.84	0.74	0.58	0.44	0.84	0.77	0.58	0.45	0.87	0.73	0.61	0.47	0.89	0.80	0.62	0.49	0.93	0.85	0.63	0.51	0.95	0.85	0.65	0.49		
	ΔT	20.50	18.78	15.56	12.2	20.46	18.73	15.52	12.2	20.70	18.98	15.76	12.4	20.44	18.72	15.50	12.2	20.21	18.49	15.27	11.9	21.29	19.57	16.35	13.0		
	Hi PR	259	260	262	266	299	300	302	306	341	342	344	348	386	387	389	394	435	436	438	443	487	488	490	495		
	Lo PR	118	120	123	128	125	127	130	135	131	133	136	141	137	138	141	146	142	143	146	151	148	149	152	157		

IDB: Entering Indoor Dry Bulb Temperature
 High and low pressures are measured at the liquid and suction access fittings.
 Design Subcooling, 16 - 19 °F @ the liquid access fitting connection ARI 95 test conditions. Design Superheat 8 - 12°F @ the compressor suction access fitting connection.

Shaded area reflects ACCA (TVA) conditions
 kW = Total system power
 Amps: Unit amps (comp.+ evaporator + condenser fan motors)

IDB		Outdoor Ambient Temperature																																																		
		65						75						85						95						105						115																				
		Airflow	IDWB	59	63	67	71	Airflow	IDWB	59	63	67	71	Airflow	IDWB	59	63	67	71	Airflow	IDWB	59	63	67	71	Airflow	IDWB	59	63	67	71	Airflow	IDWB	59	63	67	71															
80		Entering Indoor Wet Bulb Temperature																																																		
		2625	MBh	90.0	91.3	94.0	98.1	89.2	90.5	93.2	97.3	86.9	88.2	90.8	94.9	82.9	84.1	86.8	90.9	78.0	79.2	81.9	86.0	73.5	74.7	77.4	81.5	S/T	0.89	0.83	0.64	0.47	0.89	0.84	0.68	0.50	0.94	0.89	0.71	0.52	0.98	0.92	0.75	0.57	0.98	0.92	0.76	0.59				
		3000	ΔT	26.24	24.51	21.30	18.0	26.19	24.47	21.25	17.9	26.43	24.71	21.49	18.2	26.17	24.45	21.23	17.9	25.94	24.22	21.00	17.7	27.02	25.30	22.08	18.7	Hi PR	255	256	258	262	295	296	298	303	337	338	340	345	383	384	385	390	431	432	434	439	483	485	486	491
		3375	Lo PR	115	117	120	125	122	124	127	131	128	130	133	138	134	135	138	143	139	140	143	148	145	146	149	154	MBh	91.2	92.5	95.2	99.2	90.4	91.7	94.4	98.4	88.1	89.3	92.0	96.1	84.1	85.3	88.0	92.1	79.1	80.4	83.1	87.2	74.7	75.9	78.6	82.7
		S/T	0.87	0.81	0.66	0.50	0.91	0.84	0.70	0.53	0.93	0.86	0.71	0.56	0.96	0.90	0.72	0.57	1.00	0.93	0.76	0.58	1.00	0.94	0.78	0.59	ΔT	25.20	23.47	20.26	16.9	25.15	23.43	20.21	16.9	25.39	23.67	20.45	17.1	25.13	23.41	20.19	16.9	24.90	23.18	19.96	16.6	25.98	24.26	21.04	17.7	
		Hi PR	257	258	260	264.6	297	298	300	305	339	341	342	347	385	386	388	392	434	435	436	441	486	487	489	493	Lo PR	117	118	121	126	124	125	128	133	130	131	134	139	135	137	140	144	140	142	145	150	147	148	151	156	
		MBh	92.6	93.9	96.6	100.7	91.8	93.1	95.8	99.9	89.5	90.8	93.4	97.5	85.5	86.7	89.4	93.5	80.6	81.8	84.5	88.6	76.1	77.3	80.0	84.1	S/T	0.92	0.86	0.69	0.53	0.95	0.89	0.72	0.52	0.99	0.89	0.75	0.59	1.00	0.94	0.77	0.61	1.00	0.98	0.80	0.63	1.00	1.00	0.81	0.68	
		ΔT	24.32	22.60	19.38	16.0	24.27	22.55	19.33	16.0	24.51	22.79	19.57	16.2	24.25	22.53	19.31	16.0	24.02	22.30	19.08	15.8	25.10	23.38	20.16	16.8	Hi PR	259	260	262	267	299	301	302	307	342	343	344	349	387	388	390	394	436	437	439	443	488	489	491	495	
		Lo PR	119	120	123	128	126	127	130	135	132	133	136	141	137	139	141	146	142	144	147	151	149	150	153	158	MBh	92.6	93.9	96.6	100.7	91.8	93.1	95.8	99.9	89.5	90.8	93.4	97.5	85.5	86.7	89.4	93.5	80.6	81.8	84.5	88.6	76.1	77.3	80.0	84.1	
		85		Entering Indoor Wet Bulb Temperature																																																
2625	MBh			91.6	92.8	95.5	99.6	90.8	92.0	94.7	98.8	88.4	89.7	92.4	96.4	84.4	85.7	88.3	92.4	79.5	80.7	83.4	87.5	75.0	76.3	78.9	83.0	S/T	0.91	0.88	0.80	0.64	0.95	0.90	0.81	0.70	0.96	0.92	0.84	0.71	1.00	0.96	0.86	0.71	1.00	1.00	0.91	0.72	1.00	1.00	0.91	0.74
3000	ΔT			29.62	27.90	24.68	21.3	29.57	27.85	24.63	21.3	29.82	28.09	24.87	21.5	29.56	27.83	24.61	21.3	29.33	27.60	24.38	21.1	30.40	28.68	25.46	22.1	Hi PR	256	257	259	264	296	298	299	304	338	340	341	346	384	385	387	391	433	434	435	440	485	486	488	492
3375	Lo PR			117	118	121	126	124	125	128	133	130	132	134	139	135	137	140	144	140	142	145	150	147	148	151	156	MBh	92.7	94.0	96.7	100.8	91.9	93.2	95.9	100.0	89.6	90.9	93.5	97.6	85.6	86.8	89.5	93.6	80.7	81.9	84.6	88.7	76.2	77.4	80.1	84.2
S/T	0.94			0.88	0.81	0.68	0.96	0.92	0.83	0.71	0.97	0.94	0.85	0.72	1.00	0.97	0.88	0.73	1.00	1.00	0.92	0.74	1.00	1.00	0.92	0.77	ΔT	28.58	26.86	23.64	20.3	28.53	26.81	23.59	20.3	28.77	27.05	23.83	20.5	28.51	26.79	23.57	20.2	28.28	26.56	23.34	20.0	29.36	27.64	24.42	21.1	
Hi PR	258			260	261	266	299	300	301	306	341	342	344	348	386	387	389	393	435	436	438	442	487	488	490	494	Lo PR	119	120	123	128	126	127	130	135	132	133	136	141	137	138	141	146	142	143	146	151	148	150	153	158	
MBh	94.1			95.4	98.1	102.2	93.3	94.6	97.3	101.4	91.0	92.3	94.9	99.0	87.0	88.2	90.9	95.0	82.1	83.3	86.0	90.1	77.6	78.8	81.5	85.6	S/T	0.96	0.92	0.83	0.70	1.00	0.96	0.87	0.72	1.00	0.95	0.90	0.73	1.00	1.00	0.92	0.78	1.00	1.00	0.97	0.80	1.00	1.00	0.98	0.82	
ΔT	27.70			25.98	22.76	19.4	27.66	25.93	22.71	19.4	27.90	26.17	22.96	19.6	27.64	25.91	22.70	19.4	27.41	25.68	22.47	19.1	28.49	26.76	23.55	20.2	Hi PR	261	262	263	268	301	302	304	308	343	344	346	350	388	389	391	395	437	438	440	444	489	490	492	496	
Lo PR	121			122	125	130	128	129	132	137	134	135	138	143	139	140	143	148	144	145	148	153	150	152	155	159	MBh	94.1	95.4	98.1	102.2	93.3	94.6	97.3	101.4	91.0	92.3	94.9	99.0	87.0	88.2	90.9	95.0	82.1	83.3	86.0	90.1	77.6	78.8	81.5	85.6	
85				Shaded area reflects AHRI (TVSA) conditions																																																
		IDB: Entering Indoor Dry Bulb Temperature																																																		
		High and low pressures are measured at the liquid and suction access fittings.																																																		
		Design Subcooling, 16 - 19 °F @ the liquid access fitting connection ARI 95 test conditions. Design Superheat 8 - 12 °F @ the compressor suction access fitting connection.																																																		
		kW = Total system power																																																		
		Ampsi: Unit amps (comp.+ evaporator + condenser fan motors)																																																		
		Ampsi: Unit amps (comp.+ evaporator + condenser fan motors)																																																		
		Ampsi: Unit amps (comp.+ evaporator + condenser fan motors)																																																		
		Ampsi: Unit amps (comp.+ evaporator + condenser fan motors)																																																		
		Ampsi: Unit amps (comp.+ evaporator + condenser fan motors)																																																		

IDB	Airflow	ID WB	Outdoor Ambient Temperature																							
			65				75				85				95				105				115			
			59	63	67	71	59	63	67	71	59	63	67	71	59	63	67	71	59	63	67	71	59	63	67	71
70	2975	MBh	99.2	100.6	103.6	-	98.3	99.7	102.7	-	95.8	97.2	100.1	-	91.3	92.7	95.7	-	85.9	87.3	90.3	-	81.0	82.4	85.3	-
		S/T	0.70	0.58	0.41	-	0.72	0.61	0.41	-	0.74	0.61	0.42	-	0.76	0.63	0.44	-	0.79	0.66	0.45	-	0.80	0.67	0.46	-
		ΔT	17.61	15.94	12.82	-	17.56	15.89	12.77	-	17.80	16.13	13.01	-	17.55	15.88	12.75	-	17.32	15.65	12.53	-	18.37	16.70	13.58	-
		Hi PR	256	257	259	-	296	297	299	-	338	340	341	-	384	385	387	-	433	434	436	-	485	486	488	-
		Lo PR	111	112	115	-	118	119	122	-	123	125	128	-	128	130	133	-	133	135	137	-	139	141	144	-
	3200	MBh	100.0	101.4	104.3	-	99.1	100.5	103.4	-	96.5	97.9	100.9	-	92.1	93.5	96.4	-	86.7	88.1	91.0	-	81.7	83.1	86.1	-
		S/T	0.72	0.61	0.42	-	0.74	0.62	0.45	-	0.77	0.65	0.45	-	0.80	0.67	0.47	-	0.83	0.68	0.49	-	0.82	0.69	0.48	-
		ΔT	17.07	15.40	12.27	-	17.02	15.35	12.23	-	17.26	15.58	12.46	-	17.00	15.33	12.21	-	16.78	15.11	11.99	-	17.83	16.16	13.03	-
		Hi PR	257	258	260	-	297	299	300	-	340	341	343	-	385	386	388	-	434	435	437	-	486	487	489	-
		Lo PR	112	113	116	-	118	120	123	-	124	126	129	-	129	131	133	-	134	136	138	-	140	142	144	-
3825	MBh	102.6	103.9	106.9	-	101.7	103.1	106.0	-	99.1	100.5	103.4	-	94.7	96.0	99.0	-	89.2	90.6	93.6	-	84.3	85.7	88.6	-	
	S/T	0.74	0.63	0.44	-	0.76	0.64	0.47	-	0.79	0.67	0.47	-	0.82	0.69	0.49	-	0.85	0.70	0.51	-	0.85	0.72	0.52	-	
	ΔT	15.78	14.11	10.99	-	15.74	14.07	10.95	-	15.97	14.30	11.18	-	15.72	14.05	10.93	-	15.50	13.83	10.70	-	16.54	14.87	11.75	-	
	Hi PR	261	262	263	-	301	302	304	-	343	344	346	-	388	389	391	-	437	438	440	-	490	491	492	-	
	Lo PR	115	116	119	-	121	123	126	-	127	129	131	-	132	134	136	-	137	138	141	-	143	145	147	-	
75	2975	MBh	99.3	100.7	103.6	108.1	98.4	99.8	102.7	107.2	95.8	97.2	100.2	104.7	91.4	92.8	95.7	100.2	86.0	87.4	90.3	94.8	81.0	82.4	85.4	89.9
		S/T	0.78	0.68	0.52	0.35	0.83	0.74	0.55	0.37	0.84	0.71	0.56	0.38	0.86	0.73	0.57	0.45	0.89	0.75	0.59	0.47	0.91	0.77	0.66	0.46
		ΔT	21.29	19.61	16.49	13.3	21.24	19.57	16.45	13.2	21.48	19.80	16.68	13.4	21.22	19.55	16.43	13.2	21.00	19.33	16.21	13.0	22.05	20.37	17.25	14.0
		Hi PR	256	257	259	263.6	296	298	299	303.8	339	340	342	346.0	384	385	387	391.4	433	434	436	440.4	485	486	488	492.6
		Lo PR	111	112	115	119.7	118	119	122	126.4	123	125	128	132.3	128	130	133	137.3	133	135	137	142.1	139	141	144	148.2
	3200	MBh	100.0	101.4	104.4	108.9	99.2	100.6	103.5	108.0	96.6	98.0	100.9	105.4	92.1	93.5	96.5	101.0	86.7	88.1	91.1	95.6	81.8	83.2	86.1	90.6
		S/T	0.82	0.71	0.56	0.37	0.85	0.72	0.58	0.39	0.86	0.73	0.59	0.40	0.88	0.74	0.60	0.44	0.91	0.77	0.61	0.45	0.94	0.81	0.64	0.47
		ΔT	20.74	19.07	15.95	12.7	20.70	19.03	15.90	12.7	20.93	19.26	16.14	12.9	20.68	19.01	15.89	12.7	20.46	18.78	15.66	12.4	21.50	19.83	16.71	13.5
		Hi PR	257	259	260	265	298	299	301	305	340	341	343	347	385	386	388	393	434	435	437	442	486	488	489	494
		Lo PR	112	113	116	121	119	120	123	127	124	126	129	133	129	131	134	138	134	136	138	143	140	142	144	149
3825	MBh	102.6	104.0	106.9	111.5	101.7	103.1	106.1	110.6	99.1	100.5	103.5	108.0	94.7	96.1	99.1	103.6	89.3	90.7	93.6	98.1	84.3	85.7	88.7	93.2	
	S/T	0.84	0.73	0.58	0.40	0.87	0.74	0.62	0.42	0.88	0.75	0.61	0.44	0.90	0.76	0.62	0.46	0.93	0.80	0.64	0.47	0.96	0.83	0.66	0.48	
	ΔT	19.46	17.79	14.67	11.4	19.41	17.74	14.62	11.4	19.65	17.98	14.86	11.6	19.40	17.73	14.60	11.4	19.17	17.50	14.38	11.1	20.22	18.55	15.43	12.2	
	Hi PR	261	262	264	268	301	302	304	308	343	344	346	351	389	390	391	396	438	439	440	445	490	491	493	497	
	Lo PR	115	116	119	124	121	123	126	130	127	129	131	136	132	134	136	141	137	138	141	146	143	145	147	152	

Shaded area reflects ACCA (TVA) conditions
 kW = Total system power
 Amps: Unit amps (comp.+ evaporator + condenser fan motors)
 Design Subcooling, 16 - 19 °F @ the liquid access fitting connection ARI 95 test conditions. Design Superheat 8 - 12°F @ the compressor suction access fitting connection.

IDB: Entering Indoor Dry Bulb Temperature
 High and low pressures are measured at the liquid and suction access fittings.

High and low pressures are measured at the liquid and suction access fittings.
 Design Subcooling, 16 - 19 °F @ the liquid access fitting connection ARI 95 test conditions. Design Superheat 8 - 12°F @ the compressor suction access fitting connection.

IDB		Outdoor Ambient Temperature																								
		65				75				85				95				105				115				
		59	63	67	71	59	63	67	71	59	63	67	71	59	63	67	71	59	63	67	71	59	63	67	71	
	Airflow	Entering Indoor Wet Bulb Temperature																								
	ID WB	Entering Indoor Wet Bulb Temperature																								
70	3150	MBh	118.6	120.3	123.8	-	117.6	119.2	122.8	-	114.5	116.2	119.7	-	109.2	110.8	114.4	-	102.7	104.4	107.9	-	96.8	98.5	102.0	-
		S/T	0.69	0.57	0.40	-	0.72	0.55	0.40	-	0.75	0.59	0.44	-	0.78	0.61	0.45	-	0.78	0.63	0.48	-	0.79	0.66	0.53	-
		ΔT	18.81	17.03	13.70	-	18.76	16.98	13.65	-	19.01	17.23	13.90	-	18.75	16.96	13.63	-	18.51	16.72	13.39	-	19.62	17.84	14.51	-
		Hi PR	265	266	268	-	306	307	309	-	350	351	353	-	397	398	400	-	447	448	450	-	501	502	504	-
		Lo PR	113	115	118	-	120	122	124	-	126	128	130	-	131	133	136	-	136	138	141	-	142	144	147	-
	4050	MBh	119.6	121.2	124.8	-	118.5	120.2	123.7	-	115.4	117.1	120.6	-	110.1	111.8	115.3	-	103.6	105.3	108.8	-	97.7	99.4	102.9	-
		S/T	0.71	0.58	0.44	-	0.73	0.57	0.44	-	0.74	0.60	0.47	-	0.77	0.62	0.49	-	0.81	0.64	0.51	-	0.82	0.69	0.56	-
		ΔT	18.20	16.42	13.09	-	18.16	16.37	13.04	-	18.41	16.62	13.29	-	18.14	16.35	13.03	-	17.90	16.12	12.79	-	19.02	17.23	13.90	-
		Hi PR	266	267	269	-	307	309	310	-	351	352	354	-	398	399	401	-	449	450	452	-	503	504	506	-
		Lo PR	114	116	119	-	121	123	125	-	127	129	131	-	132	134	137	-	137	139	141	-	143	145	148	-
75	3150	MBh	122.6	124.2	127.8	-	121.5	123.2	126.7	-	118.4	120.1	123.6	-	113.1	114.8	118.3	-	106.6	108.3	111.8	-	100.7	102.4	105.9	-
		S/T	0.73	0.61	0.46	-	0.74	0.61	0.48	-	0.76	0.64	0.51	-	0.77	0.66	0.53	-	0.78	0.68	0.55	-	0.83	0.73	0.60	-
		ΔT	16.86	15.08	11.75	-	16.81	15.03	11.70	-	17.06	15.28	11.95	-	16.80	15.01	11.68	-	16.56	14.77	11.44	-	17.67	15.89	12.56	-
		Hi PR	269	270	272	-	311	312	314	-	354	356	357	-	401	402	404	-	452	453	455	-	506	507	509	-
		Lo PR	117	119	121	-	124	125	128	-	130	131	134	-	135	137	139	-	140	142	144	-	146	148	151	-
	4050	MBh	118.7	120.4	123.9	129.3	117.6	119.3	122.8	128.2	114.6	116.2	119.7	125.1	109.3	110.9	114.4	119.8	102.8	104.4	108.0	113.3	96.9	98.5	102.0	107.4
		S/T	0.79	0.70	0.53	0.30	0.81	0.72	0.50	0.40	0.81	0.77	0.55	0.42	0.84	0.76	0.58	0.44	0.88	0.77	0.65	0.46	0.89	0.79	0.62	0.51
		ΔT	22.73	20.95	17.62	14.2	22.68	20.90	17.57	14.1	22.94	21.15	17.82	14.4	22.67	20.88	17.55	14.1	22.43	20.64	17.32	13.9	23.54	21.76	18.43	15.0
		Hi PR	265	266	268	272	306	308	309	314	350	351	353	358	397	398	400	405	448	449	451	455	502	503	505	509
		Lo PR	113	115	118	122	120	122	124	129	126	128	130	135	131	133	136	140	136	138	141	145	143	144	147	152
75	MBh	119.6	121.3	124.8	130.2	118.6	120.2	123.8	129.2	115.5	117.2	120.7	126.1	110.2	111.9	115.4	120.8	103.7	105.4	108.9	114.3	97.8	99.5	103.0	108.4	
	S/T	0.81	0.72	0.56	0.42	0.83	0.75	0.57	0.4	0.83	0.79	0.59	0.45	0.86	0.77	0.61	0.5	0.91	0.82	0.69	0.49	0.93	0.84	0.67	0.54	
	ΔT	22.13	20.34	17.01	13.6	22.08	20.29	16.96	13.5	22.33	20.54	17.21	13.8	22.06	20.28	16.95	13.5	21.82	20.04	16.71	13.3	22.94	21.15	17.82	14.4	
	Hi PR	266	267	269	274	308	309	311	315	351	352	354	359	398	399	401	406	449	450	452	456	503	504	506	510	
	Lo PR	114	116	119	123	121	123	125	130	127	129	131	136	132	134	137	141	137	139	142	146	143	145	148	153	
4050	MBh	122.6	124.3	127.8	133.2	121.6	123.2	126.8	132.2	118.5	120.2	123.7	129.1	113.2	114.9	118.4	123.8	106.7	108.4	111.9	117.3	100.8	102.5	106.0	111.4	
	S/T	0.83	0.75	0.60	0.40	0.85	0.77	0.61	0.47	0.88	0.86	0.63	0.49	0.91	0.83	0.65	0.51	0.96	0.84	0.70	0.53	0.97	0.86	0.68	0.58	
	ΔT	20.78	19.00	15.67	12.2	20.73	18.95	15.62	12.2	20.99	19.20	15.87	12.4	20.72	18.93	15.60	12.2	20.48	18.69	15.37	11.9	21.59	19.81	16.48	13.0	
	Hi PR	269	271	272	277	311	312	314	319	355	356	358	362	402	403	405	409	452	453	455	460	506	507	509	514	
	Lo PR	117	119	122	126	124	125	128	133	130	131	134	139	135	137	139	144	140	142	144	149	146	148	151	155	

kW = Total system power

Amps: Unit amps (comp.+ evaporator + condenser fan motors)

Design Subcooling, 16 - 19 °F @ the liquid access fitting connection ARI 95 test conditions. Design Superheat 8 - 12°F @ the compressor suction access fitting connection.

Shaded area reflects ACCA (TVA) conditions

IDB: Entering Indoor Dry Bulb Temperature

High and low pressures are measured at the liquid and suction access fittings.

Design Subcooling, 16 - 19 °F @ the liquid access fitting connection ARI 95 test conditions. Design Superheat 8 - 12°F @ the compressor suction access fitting connection.

IDB		Outdoor Ambient Temperature																																			
		65						75						85						95						105						115					
		Airflow				ID	WB	Entering Indoor Wet Bulb Temperature																													
80	3150	MBh	59	63	67	71	59	63	67	71	59	63	67	71	59	63	67	71	59	63	67	71	59	63	67	71	59	63	67	71							
		S/T	119.3	121.0	124.5	129.9	118.2	119.9	123.4	128.8	115.2	116.8	120.4	125.7	109.9	111.5	115.1	120.4	103.4	105.0	108.6	114.0	97.5	99.1	102.7	108.0	1.00	0.96	0.77	0.63							
		ΔT	26.68	24.90	21.57	18.1	26.63	24.85	21.52	18.1	26.88	25.10	21.77	18.3	26.61	24.83	21.50	18.1	26.38	24.59	21.26	17.8	27.49	25.71	22.38	18.9	1.00	0.96	0.77	0.63							
		Hi PR	265	266	268	273	307	308	310	314	350	352	353	358	397	399	400	405	448	449	451	456	502	503	505	510	502	503	505	510							
	Lo PR	114	115	118	123	121	122	125	130	127	128	131	136	132	133	136	141	137	138	141	146	143	144	147	152	143	144	147	152								
	MBh	120.2	121.9	125.4	130.8	119.2	120.9	124.4	129.8	116.1	117.8	121.3	126.7	110.8	112.5	116.0	121.4	104.3	106.0	109.5	114.9	98.4	100.1	103.6	109.0	98.4	100.1	103.6	109.0								
	S/T	0.89	0.81	0.68	0.54	0.92	0.85	0.69	0.6	0.94	0.87	0.72	0.57	0.96	0.91	0.73	0.59	0.99	0.94	0.77	0.61	1.00	0.95	0.80	0.66	1.00	0.95	0.80	0.66								
	ΔT	26.07	24.29	20.96	17.5	26.02	24.24	20.91	17.5	26.28	24.49	21.16	17.7	26.01	24.22	20.89	17.4	25.77	23.98	20.66	17.2	26.88	25.10	21.77	18.3	26.88	25.10	21.77	18.3								
	Hi PR	267	268	270	274	308	309	311	316	352	353	355	359	399	400	402	406	449	450	452	457	503	504	506	511	503	504	506	511								
	Lo PR	115	116	119	124	122	123	126	131	128	129	132	137	133	134	137	142	138	139	142	147	144	145	148	153	144	145	148	153								
	MBh	123.2	124.9	128.4	133.8	122.2	123.9	127.4	132.8	119.1	120.8	124.3	129.7	113.8	115.5	119.0	124.4	107.3	109.0	112.5	117.9	101.4	103.1	106.6	112.0	101.4	103.1	106.6	112.0								
	S/T	0.92	0.84	0.72	0.58	0.94	0.87	0.73	0.59	0.96	0.88	0.75	0.62	0.98	0.90	0.77	0.6	1.00	0.96	0.79	0.65	1.00	1.00	0.84	0.70	1.00	1.00	0.84	0.70								
ΔT	24.73	22.95	19.62	16.2	24.68	22.90	19.57	16.1	24.93	23.15	19.82	16.4	24.66	22.88	19.55	16.1	24.43	22.64	19.31	15.9	25.54	23.76	20.43	17.0	25.54	23.76	20.43	17.0									
Hi PR	270	271	273	278	312	313	315	319	355	356	358	363	402	403	405	410	453	454	456	460	507	508	510	514	507	508	510	514									
Lo PR	118	119	122	127	125	126	129	134	131	132	135	140	136	137	140	145	141	142	145	150	147	148	151	156	147	148	151	156									
85	3150	MBh	121.3	123.0	126.5	131.9	120.2	121.9	125.4	130.8	117.2	118.8	122.3	127.7	111.9	113.5	117.0	122.4	105.4	107.0	110.6	115.9	99.5	101.1	104.6	110.0	99.5	101.1	104.6	110.0							
		S/T	0.90	0.86	0.76	0.62	0.93	0.88	0.78	0.6	0.95	0.93	0.85	0.67	1.00	0.95	0.85	0.68	1.00	0.98	0.87	0.72	1.00	0.99	0.89	0.7	1.00	0.99	0.89	0.7							
		ΔT	30.18	28.40	25.07	21.6	30.13	28.35	25.02	21.6	30.38	28.60	25.27	21.8	30.11	28.33	25.00	21.6	29.88	28.09	24.76	21.3	30.99	29.21	25.88	22.4	30.99	29.21	25.88	22.4							
		Hi PR	267	268	270	274	308	309	311	316	352	353	355	359	399	400	402	406	449	450	452	457	503	504	506	511	503	504	506	511							
	Lo PR	116	117	120	125	122	124	127	131	128	130	133	137	133	135	138	143	138	140	143	148	145	146	149	154	145	146	149	154								
	MBh	122.2	123.9	127.4	132.8	121.2	122.8	126.4	131.8	118.1	119.8	123.3	128.7	112.8	114.5	118.0	123.4	106.3	108.0	111.5	116.9	100.4	102.1	105.6	111.0	100.4	102.1	105.6	111.0								
	S/T	0.92	0.89	0.80	0.66	0.95	0.92	0.82	0.67	0.97	0.94	0.85	0.69	1.00	0.98	0.88	0.72	1.00	1.00	0.90	0.75	1.00	1.00	0.92	0.76	1.00	1.00	0.92	0.76								
	ΔT	29.57	27.79	24.46	21.0	29.53	27.74	24.41	21.0	29.78	27.99	24.66	21.2	29.51	27.72	24.39	20.9	29.27	27.49	24.16	20.7	30.39	28.60	25.27	21.8	30.39	28.60	25.27	21.8								
	Hi PR	268	269	271	275	309	311	312	317	353	354	356	361	400	401	403	408	451	452	454	458	505	506	508	512	505	506	508	512								
	Lo PR	117	118	121	126	123	125	128	132	129	131	134	138	134	136	139	144	139	141	144	149	146	147	150	155	146	147	150	155								
	MBh	125.2	126.9	130.4	135.8	124.2	125.8	129.4	134.8	121.1	122.8	126.3	131.7	115.8	117.5	121.0	126.4	109.3	111.0	114.5	119.9	103.4	105.1	108.6	114.0	103.4	105.1	108.6	114.0								
	S/T	0.96	0.91	0.83	0.68	0.97	0.94	0.84	0.70	1.00	0.96	0.87	0.71	1.00	1.00	0.90	0.74	1.00	1.00	0.92	0.76	1.00	1.00	0.94	0.80	1.00	1.00	0.94	0.80								
ΔT	28.23	26.45	23.12	19.7	28.18	26.40	23.07	19.6	28.43	26.65	23.32	19.9	28.17	26.38	23.05	19.6	27.93	26.14	22.81	19.4	29.04	27.26	23.93	20.5	29.04	27.26	23.93	20.5									
Hi PR	271	272	274	279	313	314	316	320	356	358	359	364	403	404	406	411	454	455	457	461	508	509	511	515	508	509	511	515									
Lo PR	119	121	124	128	126	128	131	135	132	134	137	141	137	139	142	146	142	144	147	151	149	150	153	158	149	150	153	158									

IDB: Entering Indoor Dry Bulb Temperature
 High and low pressures are measured at the liquid and suction access fittings.
 Design Subcooling, 16 - 19 °F @ the liquid access fitting connection ARI 95 test conditions. Design Superheat 8 - 12 °F @ the compressor suction access fitting connection.
 Shaded area reflects ACCA (TVA) conditions
 kW = Total system power
 Amps: Unit amps (comp.+ evaporator + condenser fan motors)

IDB		Airflow		Outdoor Ambient Temperature																																			
				65						75						85						95						105						115					
				59	63	67	71	59	63	67	71	59	63	67	71	59	63	67	71	59	63	67	71	59	63	67	71	59	63	67	71								
70	3850	MBh	143.0	145.0	149.3	-	141.7	143.8	148.0	-	138.0	140.0	144.3	-	131.6	133.6	137.9	-	123.8	125.8	130.1	-	116.7	118.7	122.9	-	123.8	125.8	130.1	-	116.7	118.7	122.9	-					
		S/T	0.64	0.53	0.37	-	0.66	0.55	0.37	-	0.68	0.57	0.38	-	0.71	0.59	0.40	-	0.73	0.62	0.41	-	0.75	0.63	0.42	-	0.73	0.62	0.41	-	0.75	0.63	0.42	-					
		ΔT	19.08	17.28	13.92	-	19.03	17.23	13.87	-	19.28	17.48	14.12	-	19.01	17.21	13.85	-	18.77	16.97	13.61	-	19.90	18.10	14.74	-	18.77	16.97	13.61	-	19.90	18.10	14.74	-					
		Hi PR	264	266	267	-	306	307	309	-	350	351	353	-	397	398	400	-	447	448	450	-	501	502	504	-	447	448	450	-	501	502	504	-					
		Lo PR	115	116	119	-	122	123	126	-	128	129	132	-	133	134	137	-	138	140	142	-	144	146	149	-	138	140	142	-	144	146	149	-					
	4200	MBh	144.3	146.3	150.6	-	143.0	145.0	149.3	-	139.3	141.3	145.6	-	132.9	134.9	139.2	-	125.1	127.1	131.4	-	118.0	120.0	124.2	-	125.1	127.1	131.4	-	118.0	120.0	124.2	-					
		S/T	0.65	0.56	0.42	-	0.67	0.58	0.43	-	0.69	0.60	0.44	-	0.72	0.62	0.46	-	0.74	0.65	0.47	-	0.76	0.66	0.48	-	0.74	0.65	0.47	-	0.76	0.66	0.48	-					
		ΔT	18.38	16.58	13.22	-	18.33	16.53	13.17	-	18.58	16.78	13.42	-	18.31	16.51	13.15	-	18.07	16.27	12.91	-	19.20	17.40	14.04	-	18.07	16.27	12.91	-	19.20	17.40	14.04	-					
		Hi PR	266	267	269	-	307	309	310	-	351	352	354	-	398	399	401	-	449	450	452	-	503	504	506	-	449	450	452	-	503	504	506	-					
		Lo PR	116	117	120	-	123	124	127	-	129	130	133	-	134	136	139	-	139	141	144	-	146	147	150	-	139	141	144	-	146	147	150	-					
4950	MBh	147.6	149.7	153.9	-	146.4	148.4	152.6	-	142.7	144.7	148.9	-	136.3	138.3	142.5	-	128.4	130.4	134.7	-	121.3	123.3	127.6	-	128.4	130.4	134.7	-	121.3	123.3	127.6	-						
	S/T	0.67	0.58	0.44	-	0.69	0.60	0.45	-	0.71	0.62	0.51	-	0.74	0.64	0.48	-	0.76	0.67	0.49	-	0.78	0.68	0.50	-	0.76	0.67	0.49	-	0.78	0.68	0.50	-						
	ΔT	17.11	15.31	11.94	-	17.06	15.26	11.90	-	17.31	15.51	12.15	-	17.04	15.24	11.88	-	16.80	15.00	11.64	-	17.93	16.13	12.76	-	16.80	15.00	11.64	-	17.93	16.13	12.76	-						
	Hi PR	269	270	272	-	311	312	314	-	354	355	357	-	401	402	404	-	452	453	455	-	506	507	509	-	452	453	455	-	506	507	509	-						
	Lo PR	119	120	123	-	126	127	130	-	132	133	136	-	137	138	141	-	142	143	146	-	148	150	153	-	142	143	146	-	148	150	153	-						
75	3850	MBh	143.1	145.1	149.4	155.9	141.8	143.8	148.1	154.6	138.1	140.1	144.4	150.9	131.7	133.7	138.0	144.5	123.9	125.9	130.2	136.7	116.8	118.8	123.0	129.5	123.9	125.9	130.2	136.7	116.8	118.8	123.0	129.5					
		S/T	0.73	0.66	0.53	0.3	0.76	0.69	0.52	0.3	0.78	0.69	0.55	0.4	0.84	0.72	0.57	0.4	0.86	0.74	0.62	0.5	0.90	0.77	0.64	0.5	0.86	0.74	0.62	0.5	0.90	0.77	0.64	0.5					
		ΔT	23.04	21.24	17.88	14.4	22.99	21.19	17.83	14.3	23.24	21.44	18.08	14.6	22.97	21.17	17.81	14.3	22.73	20.93	17.57	14.1	23.86	22.06	18.70	15.2	22.73	20.93	17.57	14.1	23.86	22.06	18.70	15.2					
		Hi PR	265	266	268	272	306	307	309	314	350	351	353	357	397	398	400	404	447	449	450	455	501	503	504	509	447	449	450	455	501	503	504	509					
		Lo PR	115	116	119	124	122	123	126	131	128	129	132	137	133	135	137	142	138	140	142	147	144	146	149	154	138	140	142	147	144	146	149	154					
	4200	MBh	144.4	146.4	150.7	157.2	143.1	145.1	149.4	155.9	139.4	141.4	145.7	152.2	133.0	135.0	139.3	145.8	125.2	127.2	131.4	137.9	118.0	120.0	124.3	130.8	125.2	127.2	131.4	137.9	118.0	120.0	124.3	130.8					
		S/T	0.72	0.66	0.54	0.33	0.75	0.69	0.56	0.34	0.77	0.72	0.54	0.35	0.80	0.73	0.60	0.39	0.82	0.76	0.64	0.41	0.90	0.84	0.67	0.43	0.82	0.76	0.64	0.41	0.90	0.84	0.67	0.43					
		ΔT	22.34	20.54	17.18	13.7	22.29	20.49	17.13	13.6	22.54	20.74	17.38	13.9	22.27	20.47	17.11	13.6	22.03	20.23	16.87	13.4	23.16	21.36	18.00	14.5	22.03	20.23	16.87	13.4	23.16	21.36	18.00	14.5					
		Hi PR	266	267	269	274	308	309	311	315	351	352	354	359	398	399	401	406	449	450	452	456	503	504	506	510	449	450	452	456	503	504	506	510					
		Lo PR	116	117	120	125	123	124	127	132	129	130	133	138	134	136	139	143	139	141	144	148	146	147	150	155	139	141	144	148	146	147	150	155					
4950	MBh	147.7	149.7	154.0	160.5	146.5	148.5	152.7	159.2	142.7	144.8	149.0	155.5	136.3	138.4	142.6	149.1	128.5	130.5	134.8	141.3	121.4	123.4	127.6	134.1	128.5	130.5	134.8	141.3	121.4	123.4	127.6	134.1						
	S/T	0.74	0.69	0.57	0.4	0.77	0.71	0.58	0.4	0.80	0.75	0.57	0.4	0.82	0.77	0.61	0.4	0.85	0.79	0.67	0.4	0.92	0.87	0.69	0.5	0.85	0.79	0.67	0.4	0.92	0.87	0.69	0.5						
	ΔT	21.07	19.26	15.90	12.4	21.02	19.22	15.85	12.4	21.27	19.47	16.11	12.6	21.00	19.20	15.84	12.4	20.76	18.96	15.60	12.1	21.88	20.08	16.72	13.2	20.76	18.96	15.60	12.1	21.88	20.08	16.72	13.2						
	Hi PR	269	270	272	277	311	312	314	318	354	356	357	362	401	402	404	409	452	453	455	460	506	507	509	514	452	453	455	460	506	507	509	514						
	Lo PR	119	120	123	128	126	127	130	135	132	133	136	141	137	138	141	146	142	143	146	151	148	150	153	158	142	143	146	151	148	150	153	158						

Shaded area reflects ACCA (TVA) conditions
 kW = Total system power
 Amps: Unit amps (comp.+ evaporator + condenser fan motors)
 Design Subcooling, 16 - 19 °F @ the liquid access fitting connection ARI 95 test conditions. Design Superheat 8 - 12°F @ the compressor suction access fitting connection.

IDB		Outdoor Ambient Temperature																									
		65			75			85			95			105			115										
		Airflow	ID	WB	59	63	67	71	59	63	67	71	59	63	67	71	59	63	67	71							
80	3850	MBh	143.8	145.9	150.1	156.6	142.6	144.6	148.8	155.3	138.8	140.9	145.1	151.6	132.4	134.5	138.7	145.2	124.6	126.6	130.9	137.4	117.5	119.5	123.8	130.3	
		S/T	80.00	0.75	0.62	0.5	0.83	0.79	0.66	0.5	0.85	0.81	0.65	0.5	0.87	0.82	0.67	0.5	0.92	0.86	0.72	0.5	0.99	0.93	0.77	0.6	
		ΔT	27.02	25.22	21.86	18.4	26.98	25.17	21.81	18.3	27.23	25.43	22.07	18.6	26.96	25.16	21.79	18.3	26.72	24.92	21.55	18.1	27.84	26.04	22.68	19.2	
		Hi PR	265	266	268	273	307	308	310	314	350	351	353	358	397	398	400	405	448	449	451	455	502	503	505	509	
		Lo PR	115	117	120	125	122	124	127	132	128	130	133	138	134	135	138	143	139	140	143	148	145	146	149	154	
		MBh	145.1	147.1	151.4	157.9	143.9	145.9	150.1	156.6	140.1	142.1	146.4	152.9	133.7	135.7	140.0	146.5	125.9	127.9	132.2	138.7	118.8	120.8	125.0	131.5	
	S/T	0.82	0.77	0.62	0.45	0.85	0.79	0.64	0.48	0.88	0.81	0.66	0.51	0.91	0.73	0.71	0.54	0.95	0.90	0.74	0.56	1.00	0.97	0.80	0.61		
	ΔT	26.32	24.52	21.16	17.7	26.27	24.47	21.11	17.6	26.53	24.73	21.37	17.9	26.26	24.46	21.09	17.6	26.02	24.22	20.85	17.4	27.14	25.34	21.98	18.5		
	Hi PR	267	268	270	274	308	309	311	316	352	353	355	359	399	400	402	406	449	450	452	457	503	504	506	511		
	Lo PR	117	118	121	126	123	125	128	133	130	131	134	139	135	136	139	144	140	141	144	149	146	148	150	155		
	85	3850	MBh	146.2	148.3	152.5	159.0	145.0	147.0	151.2	157.7	141.2	143.3	147.5	154.0	134.8	136.9	141.1	147.6	127.0	129.0	133.3	139.8	119.9	121.9	126.2	132.7
			S/T	0.82	0.79	0.72	0.6	0.85	0.82	0.74	0.6	0.89	0.86	0.76	0.6	0.90	0.86	0.78	0.6	0.93	0.90	0.82	0.7	0.94	0.93	0.83	0.7
ΔT			30.56	28.76	25.40	21.9	30.51	28.71	25.35	21.9	30.76	28.96	25.60	22.1	30.49	28.69	25.33	21.8	30.25	28.45	25.09	21.6	31.38	29.58	26.22	22.7	
Hi PR			266	268	269	274	308	309	311	316	352	353	355	359	398	400	401	406	449	450	452	457	503	504	506	511	
Lo PR			117	119	121	126	124	125	128	133	130	132	134	139	135	137	140	145	140	142	145	150	147	148	151	156	
MBh			147.5	149.5	153.8	160.3	146.3	148.3	152.5	159.0	142.5	144.5	148.8	155.3	136.1	138.1	142.4	148.9	128.3	130.3	134.6	141.1	121.2	123.2	127.4	133.9	
S/T		0.87	0.85	0.76	0.62	0.91	0.88	0.79	0.65	0.93	0.91	0.82	0.66	0.96	0.93	0.84	0.68	1.00	0.96	0.87	0.71	1.00	1.00	0.95	0.78		
ΔT		29.86	28.06	24.70	21.2	29.81	28.01	24.65	21.2	30.06	28.26	24.90	21.4	29.79	27.99	24.63	21.1	29.55	27.75	24.39	20.9	30.68	28.88	25.52	22.0		
Hi PR		268	269	271	275.4	309	311	312	317.0	353	354	356	360.6	400	401	403	407.6	451	452	454	458.2	505	506	508	512.2		
Lo PR		118	120	123	127.4	125	127	130	134.4	131	133	136	140.5	136	138	141	145.6	142	143	146	150.7	148	149	152	157.0		
4200		MBh	150.9	152.9	157.1	163.6	149.6	151.6	155.9	162.4	145.9	147.9	152.1	158.6	139.5	141.5	145.7	152.2	131.7	133.7	137.9	144.4	124.5	126.5	130.8	137.3	
		S/T	0.89	0.87	0.78	0.6	0.93	0.90	0.81	0.7	0.95	0.93	0.85	0.7	0.98	0.95	0.86	0.7	1.00	0.98	0.89	0.7	1.00	1.00	0.97	0.8	
	ΔT	28.59	26.78	23.42	19.9	28.54	26.74	23.37	19.9	28.79	26.99	23.63	20.1	28.52	26.72	23.36	19.9	28.28	26.48	23.12	19.6	29.40	27.60	24.24	20.8		
	Hi PR	271	272	274	279	313	314	316	320	356	357	359	364	403	404	406	411	454	455	457	461	508	509	511	515		
	Lo PR	121	122	125	130	128	129	132	137	134	135	138	143	139	141	144	148	144	146	149	153	151	152	155	160		
	kW = Total system power																										

IDB: Entering Indoor Dry Bulb Temperature
 High and low pressures are measured at the liquid and suction access fittings.
 Design Subcooling, 16 - 19 °F @ the liquid access fitting connection ARI 95 test conditions. Design Superheat 8 - 12°F @ the compressor suction access fitting connection.
 Shaded area reflects ACCA (TVA) conditions
 Amps: Unit amps (comp.+ evaporator + condenser fan motors)
 kW = Total system power

Electrical Heater Data

MINIMUM AIR FLOW FOR ELECTRIC HEAT										
MODEL #	MIN AIRFLOW	EHXD-3M15	EHXD-3M30	EHXD-3M45	EHXD-4M15	EHXD-4M30	EHXD-4M45	EHXD-7M15	EHXD-7M30	EHXD-7M45
DFC0903	2400	X	X	X						
DFC0904					X	X	X			
DFC0907								X	X	X
DFC1023	2750	X	X	X						
DFC1024					X	X	X			
DFC1027								X	X	X
DFC1023	3200	X	X	X						
DFC1204					X	X	X			
DFC1207								X	X	X
DFC1503	3750	X	X	X						
DFC1504					X	X	X			
DFC1507								X	X	X

7.5 Ton Cooler • Standard Static Direct Drive • Models: DFC0903D, DFC0904D, DFC0907D

Down Flow				
Speed Tap	ESP	CFM	RPM	BHP
T1	0.2	1927	436	0.20
	0.4	1750	518	0.24
	0.6	1579	598	0.28
	0.8	-	-	-
T2	0.2	2170	465	0.28
	0.4	2002	541	0.33
	0.6	1841	616	0.38
	0.8	1572	706	0.43
T3	0.2	3114	580	0.71
	0.4	2981	636	0.78
	0.6	2857	693	0.85
	0.8	2705	752	0.92
T4	0.2	3244	596	0.79
	0.4	3116	650	0.86
	0.6	2995	704	0.93
	0.8	2857	760	1.00
T5	0.2	3370	612	0.87
	0.4	3246	663	0.94
	0.6	3129	715	1.01
	0.8	3002	768	1.09
T6	0.2	2842	547	0.57
	0.4	2700	608	0.63
	0.6	2566	670	0.69
	0.8	2383	737	0.76
T7	0.2	3048	572	0.59
	0.4	2913	629	0.65
	0.6	2786	687	0.71
	0.8	2627	748	0.78
T8	0.2	3180	588	0.75
	0.4	3049	643	0.82
	0.6	2927	699	0.89
	0.8	2782	756	0.96
T9	0.2	3244	596	0.79
	0.4	3116	650	0.86
	0.6	2995	704	0.93
	0.8	2857	760	1.00
T10	0.2	3370	612	0.87
	0.4	3246	663	0.94
	0.6	3129	715	1.01
	0.8	3002	768	1.09

Horizontal Flow				
Speed Tap	ESP	CFM	RPM	BHP
T1	0.2	1952	453	0.21
	0.4	1844	526	0.25
	0.6	1671	607	0.28
	0.8	-	-	-
T2	0.2	2182	486	0.30
	0.4	2074	554	0.34
	0.6	1915	629	0.38
	0.8	1621	716	0.44
T3	0.2	3084	617	0.76
	0.4	2977	667	0.82
	0.6	2869	719	0.88
	0.8	2737	773	0.95
T4	0.2	3209	635	0.84
	0.4	3103	683	0.90
	0.6	3001	732	0.97
	0.8	2886	783	1.04
T5	0.2	3330	652	0.92
	0.4	3225	698	0.99
	0.6	3128	745	1.06
	0.8	3029	793	1.12
T6	0.2	2823	579	0.60
	0.4	2715	634	0.66
	0.6	2594	692	0.72
	0.8	2420	755	0.78
T7	0.2	3020	608	0.63
	0.4	2913	659	0.68
	0.6	2802	712	0.74
	0.8	2660	769	0.80
T8	0.2	3147	626	0.80
	0.4	3040	675	0.86
	0.6	2935	725	0.92
	0.8	2812	778	0.99
T9	0.2	3209	635	0.84
	0.4	3103	683	0.90
	0.6	3001	732	0.97
	0.8	2886	783	1.04
T10	0.2	3330	652	0.92
	0.4	3225	698	0.99
	0.6	3128	745	1.06
	0.8	3029	793	1.12

7.5 TON COOLER • MEDIUM STATIC DIRECT DRIVE • MODELS: DFC0903L, DFC0904L, DFC0907L

Down Flow				
Speed Tap	ESP	CFM	RPM	BHP
T1	0.2	2090	456	0.26
	0.4	1919	534	0.30
	0.6	1755	610	0.34
	0.8	-	-	-
	1	-	-	-
	1.2	-	-	-
	1.4	-	-	-
T2	0.2	2700	529	0.50
	0.4	2552	594	0.56
	0.6	2413	658	0.62
	0.8	2214	730	0.69
	1	2022	792	0.75
	1.2	1865	845	0.80
	1.4	1727	880	0.83
T3	0.2	3370	612	0.87
	0.4	3246	663	0.94
	0.6	3129	715	1.01
	0.8	3002	768	1.09
	1	2864	822	1.16
	1.2	2733	872	1.24
	1.4	2612	915	1.30
T4	0.2	3552	634	0.99
	0.4	3433	683	1.06
	0.6	3321	732	1.14
	0.8	3210	781	1.22
	1	3083	832	1.30
	1.2	2959	881	1.37
	1.4	2843	926	1.44
T5	0.2	3668	649	1.07
	0.4	3552	696	1.15
	0.6	3443	743	1.23
	0.8	3340	789	1.30
	1	3221	839	1.39
	1.2	3100	888	1.47
	1.4	2987	933	1.54
T6	0.2	3212	592	0.77
	0.4	3083	647	0.84
	0.6	2961	701	0.91
	0.8	2819	758	0.98
	1	2670	814	1.06
	1.2	2533	865	1.12
	1.4	2408	906	1.18
T7	0.2	3370	612	0.87
	0.4	3246	663	0.94
	0.6	3129	715	1.01
	0.8	3002	768	1.09
	1	2864	822	1.16
	1.2	2733	872	1.24
	1.4	2612	915	1.30
T8	0.2	3492	627	0.95
	0.4	3371	676	1.02
	0.6	3258	727	1.10
	0.8	3142	776	1.17
	1	3012	829	1.25
	1.2	2885	878	1.33
	1.4	2768	922	1.39
T9	0.2	3552	634	0.99
	0.4	3433	683	1.06
	0.6	3321	732	1.14
	0.8	3210	781	1.22
	1	3083	832	1.30
	1.2	2959	881	1.37
	1.4	2843	926	1.44
T10	0.2	3668	649	1.07
	0.4	3552	696	1.15
	0.6	3443	743	1.23
	0.8	3340	789	1.30
	1	3221	839	1.39
	1.2	3100	888	1.47
	1.4	2987	933	1.54

Horizontal Flow				
Speed Tap	ESP	CFM	RPM	BHP
T1	0.2	2106	475	0.27
	0.4	1998	545	0.31
	0.6	1835	622	0.35
	0.8	1525	712	0.40
	1	-	-	-
	1.2	-	-	-
	1.4	-	-	-
T2	0.2	2687	559	0.53
	0.4	2579	617	0.58
	0.6	2450	678	0.64
	0.8	2253	746	0.70
	1	2091	807	0.76
	1.2	1951	857	0.81
	1.4	1757	916	0.86
T3	0.2	3330	652	0.92
	0.4	3225	698	0.99
	0.6	3128	745	1.06
	0.8	3029	793	1.12
	1	2911	844	1.20
	1.2	2803	891	1.26
	1.4	2621	952	1.35
T4	0.2	3504	678	1.06
	0.4	3401	721	1.12
	0.6	3312	764	1.19
	0.8	3233	808	1.26
	1	3125	857	1.34
	1.2	3024	902	1.41
	1.4	2849	963	1.50
T5	0.2	3616	694	1.15
	0.4	3514	736	1.22
	0.6	3430	777	1.29
	0.8	3362	818	1.35
	1	3259	865	1.43
	1.2	3163	910	1.50
	1.4	2994	970	1.60
T6	0.2	3178	630	0.82
	0.4	3072	679	0.88
	0.6	2968	729	0.95
	0.8	2849	781	1.01
	1	2721	835	1.08
	1.2	2606	882	1.14
	1.4	2420	943	1.22
T7	0.2	3330	652	0.92
	0.4	3225	698	0.99
	0.6	3128	745	1.06
	0.8	3029	793	1.12
	1	2911	844	1.20
	1.2	2803	891	1.26
	1.4	2621	952	1.35
T8	0.2	3447	670	1.01
	0.4	3343	714	1.08
	0.6	3252	758	1.15
	0.8	3167	803	1.21
	1	3055	853	1.29
	1.2	2952	898	1.36
	1.4	2775	959	1.45
T9	0.2	3504	678	1.06
	0.4	3401	721	1.12
	0.6	3312	764	1.19
	0.8	3233	808	1.26
	1	3125	857	1.34
	1.2	3024	902	1.41
	1.4	2849	963	1.50
T10	0.2	3616	694	1.15
	0.4	3514	736	1.22
	0.6	3430	777	1.29
	0.8	3362	818	1.35
	1	3259	865	1.43
	1.2	3163	910	1.50
	1.4	2994	970	1.60

7.5 TON COOLER • HIGH STATIC DIRECT DRIVE • MODELS: DFC0903W, DFC0904W, DFC0907W

Down Flow				
Speed Tap	ESP	CFM	RPM	BHP
T1	0.2	2402.9	493.3	0.37
	0.4	2244.2	564.3	0.42
	0.6	2093.4	634.4	0.48
	0.8	1855.9	715.7	0.54
	1	1637.8	781.2	0.59
	1.2	-	-	-
	1.4	-	-	-
	1.6	-	-	-
T2	0.2	2553.2	511.5	0.43
	0.4	2400.3	579.3	0.49
	0.6	2255.6	646.3	0.55
	0.8	2037.8	722.7	0.61
	1	1833.5	786.4	0.67
	1.2	-	-	-
	1.4	-	-	-
	1.6	-	-	-
T3	0.2	3551.9	634.1	0.99
	0.4	3432.6	682.8	1.06
	0.6	3320.8	732.1	1.14
	0.8	3209.7	780.5	1.22
	1	3083.3	832.2	1.30
	1.2	2958.7	881.4	1.37
	1.4	2842.8	925.7	1.44
	1.6	2620.1	989.9	1.54
T4	0.2	3779.7	662.7	1.16
	0.4	3666.4	708.0	1.24
	0.6	3560.0	753.8	1.32
	0.8	3464.9	797.6	1.39
	1	3351.7	846.6	1.48
	1.2	3235.1	894.3	1.56
	1.4	3124.7	939.8	1.64
	1.6	2913.7	992.3	1.74
T5	0.2	3861.0	673.0	1.22
	0.4	3749.6	717.2	1.31
	0.6	3644.7	761.8	1.39
	0.8	3554.3	804.2	1.46
	1	3445.4	852.2	1.55
	1.2	3331.5	899.3	1.64
	1.4	3223.0	945.1	1.72
	1.6	3017.3	994.0	1.81
T6	0.2	2920.1	1043.4	1.90
	0.4	3431.9	619.2	0.91
	0.4	3309.1	669.9	0.98
	0.6	3194.2	721.0	1.06
	0.8	3073.0	772.2	1.13
	1	2938.8	825.4	1.21
	1.2	2809.9	875.3	1.28
	1.4	2691.0	918.6	1.35
1.6	2463.8	989.6	1.45	
1.8	2316.0	1038.1	1.52	

Horizontal Flow				
Speed Tap	ESP	CFM	RPM	BHP
T1	0.2	2404.3	518.5	0.39
	0.4	2295.7	581.7	0.44
	0.6	2150.4	650.1	0.49
	0.8	1901.0	728.4	0.55
	1	1717.1	794.1	0.60
	1.2	1561.5	845.1	0.64
	1.4	-	-	-
	1.6	-	-	-
T2	0.2	2547.7	539.2	0.46
	0.4	2439.1	599.5	0.51
	0.6	2302.2	664.1	0.56
	0.8	2080.1	737.0	0.62
	1	1907.1	800.5	0.68
	1.2	1759.9	851.0	0.72
	1.4	-	-	-
	1.6	-	-	-
T3	0.2	3504.1	677.8	1.06
	0.4	3400.9	721.1	1.12
	0.6	3312.2	764.4	1.19
	0.8	3233.1	807.6	1.26
	1	3124.7	856.7	1.34
	1.2	3023.9	901.9	1.41
	1.4	2849.3	962.7	1.50
	1.6	2727.6	1009.2	1.57
T4	0.2	3723.7	709.9	1.24
	0.4	3623.4	750.1	1.31
	0.6	3543.2	789.8	1.38
	0.8	3484.0	828.2	1.45
	1	3387.6	873.9	1.53
	1.2	3294.3	917.4	1.60
	1.4	3131.8	976.5	1.71
	1.6	3015.0	1022.5	1.79
T5	0.2	3802.1	721.3	1.31
	0.4	3703.2	760.6	1.38
	0.6	3625.6	799.2	1.45
	0.8	3571.9	836.0	1.52
	1	3479.4	880.6	1.60
	1.2	3388.4	923.5	1.68
	1.4	3231.2	981.6	1.79
	1.6	3116.5	1027.3	1.87
T6	0.2	3004.5	1065.6	1.94
	0.2	3388.8	661.0	0.97
	0.4	3284.3	706.1	1.03
	0.6	3190.6	751.5	1.10
	0.8	3098.7	797.6	1.17
	1	2983.6	848.4	1.24
	1.2	2878.2	894.4	1.31
	1.4	2698.6	955.7	1.40
1.6	2574.7	1002.2	1.47	
1.8	2403.4	1057.1	1.55	

Down Flow				
Speed Tap	ESP	CFM	RPM	BHP
T7	0.2	3581.3	637.8	1.01
	0.4	3462.7	686.0	1.09
	0.6	3351.8	734.8	1.16
	0.8	3242.9	782.6	1.24
	1	3118.3	833.9	1.32
	1.2	2994.8	883.0	1.40
	1.4	2879.6	927.5	1.47
	1.6	2658.1	990.0	1.57
	1.8	2530.3	1039.1	1.64
T8	0.2	3724.3	655.7	1.12
	0.4	3609.6	701.8	1.19
	0.6	3501.9	748.4	1.27
	0.8	3403.3	793.3	1.35
	1	3287.2	842.9	1.43
	1.2	3168.7	891.0	1.52
	1.4	3056.9	936.3	1.59
	1.6	2842.7	991.5	1.69
	1.8	2731.7	1040.9	1.77
T9	0.2	3779.7	662.7	1.16
	0.4	3666.4	708.0	1.24
	0.6	3560.0	753.8	1.32
	0.8	3464.9	797.6	1.39
	1	3351.7	846.6	1.48
	1.2	3235.1	894.3	1.56
	1.4	3124.7	939.8	1.64
	1.6	2913.7	992.3	1.74
	1.8	2808.6	1041.8	1.82
T10	0.2	3861.0	673.0	1.22
	0.4	3749.6	717.2	1.31
	0.6	3644.7	761.8	1.39
	0.8	3554.3	804.2	1.46
	1	3445.4	852.2	1.55
	1.2	3331.5	899.3	1.64
	1.4	3223.0	945.1	1.72
	1.6	3017.3	994.0	1.81
	1.8	2920.1	1043.4	1.90

Horizontal Flow				
Speed Tap	ESP	CFM	RPM	BHP
T7	0.2	3532.4	682.0	1.08
	0.4	3429.5	724.8	1.15
	0.6	3341.9	767.6	1.22
	0.8	3265.7	810.1	1.28
	1	3159.0	858.8	1.36
	1.2	3059.2	903.8	1.43
	1.4	2886.0	964.5	1.53
	1.6	2764.9	1010.9	1.60
	1.8	2616.4	1059.3	1.68
T8	0.2	3670.2	702.1	1.19
	0.4	3569.2	743.0	1.26
	0.6	3486.9	783.5	1.33
	0.8	3423.5	823.0	1.40
	1	3324.3	869.5	1.48
	1.2	3229.3	913.5	1.55
	1.4	3063.6	973.1	1.66
	1.6	2945.5	1019.3	1.73
	1.8	2816.7	1062.1	1.81
T9	0.2	3723.7	709.9	1.24
	0.4	3623.4	750.1	1.31
	0.6	3543.2	789.8	1.38
	0.8	3484.0	828.2	1.45
	1	3387.6	873.9	1.53
	1.2	3294.3	917.4	1.60
	1.4	3131.8	976.5	1.71
	1.6	3015.0	1022.5	1.79
	1.8	2893.4	1063.4	1.86
T10	0.2	3802.1	721.3	1.31
	0.4	3703.2	760.6	1.38
	0.6	3625.6	799.2	1.45
	0.8	3571.9	836.0	1.52
	1	3479.4	880.6	1.60
	1.2	3388.4	923.5	1.68
	1.4	3231.2	981.6	1.79
	1.6	3116.5	1027.3	1.87
	1.8	3004.5	1065.6	1.94

8.5 Ton Cooler • Standard Static Direct Drive • Models: DFC1023D, DFC1024D, DFC1027D

Down Flow				
Speed Tap	ESP	CFM	RPM	BHP
T1	0.2	2090	456	0.26
	0.4	1919	534	0.30
	0.6	1755	610	0.34
	0.8	-	-	-
T2	0.2	2248	475	0.31
	0.4	2084	549	0.36
	0.6	1927	622	0.41
	0.8	-	-	-
T3	0.2	3295	602	0.82
	0.4	3168	655	0.89
	0.6	3049	709	0.96
	0.8	2916	763	1.04
T4	0.2	3628	644	1.04
	0.4	3510	691	1.12
	0.6	3401	739	1.20
	0.8	3295	786	1.27
T5	0.2	3724	656	1.12
	0.4	3610	702	1.19
	0.6	3502	748	1.27
	0.8	3403	793	1.35
T6	0.2	3114	580	0.71
	0.4	2981	636	0.78
	0.6	2857	693	0.85
	0.8	2705	752	0.92
T7	0.2	3320	605	0.74
	0.4	3194	658	0.81
	0.6	3076	711	0.87
	0.8	2945	765	0.94
T8	0.2	3462	623	0.93
	0.4	3340	673	1.00
	0.6	3226	724	1.08
	0.8	3108	774	1.15
T9	0.2	3628	644	1.04
	0.4	3510	691	1.12
	0.6	3401	739	1.20
	0.8	3295	786	1.27
T10	0.2	3724	656	1.12
	0.4	3610	702	1.19
	0.6	3502	748	1.27
	0.8	3403	793	1.35

Horizontal Flow				
Speed Tap	ESP	CFM	RPM	BHP
T1	0.2	2106	475	0.27
	0.4	1998	545	0.31
	0.6	1835	622	0.35
	0.8	-	-	-
T2	0.2	2257	497	0.33
	0.4	2149	564	0.37
	0.6	1995	636	0.42
	0.8	1716	720	0.47
T3	0.2	3258	642	0.87
	0.4	3152	689	0.94
	0.6	3052	737	1.00
	0.8	2944	787	1.07
T4	0.2	3577	688	1.12
	0.4	3475	731	1.18
	0.6	3389	773	1.25
	0.8	3317	814	1.32
T5	0.2	3670	702	1.19
	0.4	3569	743	1.26
	0.6	3487	784	1.33
	0.8	3423	823	1.40
T6	0.2	3084	617	0.76
	0.4	2977	667	0.82
	0.6	2869	719	0.88
	0.8	2737	773	0.95
T7	0.2	3282	645	0.79
	0.4	3176	692	0.85
	0.6	3078	740	0.91
	0.8	2973	789	0.97
T8	0.2	3418	665	0.99
	0.4	3314	710	1.06
	0.6	3221	755	1.12
	0.8	3133	800	1.19
T9	0.2	3577	688	1.12
	0.4	3475	731	1.18
	0.6	3389	773	1.25
	0.8	3317	814	1.32
T10	0.2	3670	702	1.19
	0.4	3569	743	1.26
	0.6	3487	784	1.33
	0.8	3423	823	1.40

8.5 TON COOLER • MEDIUM STATIC DIRECT DRIVE • MODELS: DFC1023L, DFC1024L, DFC1027L

Down Flow				
Speed Tap	ESP	CFM	RPM	BHP
T1	0.2	2209	470	0.30
	0.4	2043	545	0.35
	0.6	1884	619	0.39
	0.8	-	-	-
	1	-	-	-
	1.2	-	-	-
	1.4	-	-	-
T2	0.2	2418	495	0.38
	0.4	2260	566	0.43
	0.6	2110	636	0.48
	0.8	1874	716	0.55
	1	-	-	-
	1.2	-	-	-
	1.4	-	-	-
T3	0.2	3552	634	0.99
	0.4	3433	683	1.06
	0.6	3321	732	1.14
	0.8	3210	781	1.22
	1	3083	832	1.30
	1.2	2959	881	1.37
	1.4	2843	926	1.44
T4	0.2	3914	680	1.27
	0.4	3804	723	1.35
	0.6	3700	767	1.43
	0.8	3612	809	1.51
	1	3506	856	1.60
	1.2	3393	903	1.69
	1.4	3286	949	1.77
T5	0.2	4002	691	1.35
	0.4	3893	733	1.43
	0.6	3791	776	1.51
	0.8	3707	816	1.59
	1	3604	863	1.68
	1.2	3495	909	1.77
	1.4	3390	955	1.86
T6	0.2	3450	621	0.92
	0.4	3328	672	0.99
	0.6	3213	723	1.07
	0.8	3094	773	1.14
	1	2961	826	1.22
	1.2	2833	876	1.30
	1.4	2714	920	1.36
T7	0.2	3651	647	1.06
	0.4	3534	694	1.14
	0.6	3425	741	1.22
	0.8	3321	788	1.29
	1	3201	838	1.37
	1.2	3080	887	1.45
	1.4	2966	932	1.53
T8	0.2	3791	664	1.17
	0.4	3678	709	1.25
	0.6	3571	755	1.33
	0.8	3477	798	1.40
	1	3364	847	1.49
	1.2	3248	895	1.57
	1.4	3138	940	1.65
T9	0.2	3914	680	1.27
	0.4	3804	723	1.35
	0.6	3700	767	1.43
	0.8	3612	809	1.51
	1	3506	856	1.60
	1.2	3393	903	1.69
	1.4	3286	949	1.77
T10	0.2	4002	691	1.35
	0.4	3893	733	1.43
	0.6	3791	776	1.51
	0.8	3707	816	1.59
	1	3604	863	1.68
	1.2	3495	909	1.77
	1.4	3390	955	1.86

Horizontal Flow				
Speed Tap	ESP	CFM	RPM	BHP
T1	0.2	2220	492	0.31
	0.4	2111	559	0.35
	0.6	1955	632	0.40
	0.8	-	-	-
	1	-	-	-
	1.2	-	-	-
	1.4	-	-	-
T2	0.2	2419	521	0.40
	0.4	2310	584	0.44
	0.6	2166	651	0.50
	0.8	1919	729	0.56
	1	1736	795	0.61
	1.2	-	-	-
	1.4	-	-	-
T3	0.2	3504	678	1.06
	0.4	3401	721	1.12
	0.6	3312	764	1.19
	0.8	3233	808	1.26
	1	3125	857	1.34
	1.2	3024	902	1.41
	1.4	2849	963	1.50
T4	0.2	3853	729	1.36
	0.4	3755	767	1.43
	0.6	3679	805	1.50
	0.8	3629	841	1.57
	1	3539	885	1.65
	1.2	3449	928	1.73
	1.4	3296	985	1.84
T5	0.2	3938	741	1.44
	0.4	3842	779	1.52
	0.6	3768	816	1.59
	0.8	3722	850	1.66
	1	3635	893	1.74
	1.2	3548	935	1.82
	1.4	3401	991	1.93
T6	0.2	3406	664	0.98
	0.4	3302	708	1.05
	0.6	3209	753	1.11
	0.8	3119	799	1.18
	1	3005	850	1.26
	1.2	2900	896	1.32
	1.4	2722	957	1.41
T7	0.2	3599	692	1.13
	0.4	3497	734	1.20
	0.6	3412	775	1.27
	0.8	3343	816	1.34
	1	3240	864	1.42
	1.2	3142	908	1.49
	1.4	2972	969	1.59
T8	0.2	3734	711	1.25
	0.4	3634	751	1.32
	0.6	3554	791	1.39
	0.8	3496	829	1.46
	1	3400	875	1.54
	1.2	3307	918	1.61
	1.4	3145	977	1.72
T9	0.2	3853	729	1.36
	0.4	3755	767	1.43
	0.6	3679	805	1.50
	0.8	3629	841	1.57
	1	3539	885	1.65
	1.2	3449	928	1.73
	1.4	3296	985	1.84
T10	0.2	3938	741	1.44
	0.4	3842	779	1.52
	0.6	3768	816	1.59
	0.8	3722	850	1.66
	1	3635	893	1.74
	1.2	3548	935	1.82
	1.4	3401	991	1.93

8.5 TON COOLER • HIGH STATIC DIRECT DRIVE • MODELS: DFC1023W, DFC1024W, DFC1027W

Down Flow				
Speed Tap	ESP	CFM	RPM	BHP
T1	0.2	2349	487	0.35
	0.4	2188	559	0.40
	0.6	2036	630	0.45
	0.8	1791	713	0.51
	1	-	-	-
	1.2	-	-	-
	1.4	-	-	-
	1.6	-	-	-
T2	0.2	2553	512	0.43
	0.4	2400	579	0.49
	0.6	2256	646	0.55
	0.8	2038	723	0.61
	1	1833	786	0.67
	1.2	-	-	-
	1.4	-	-	-
	1.6	-	-	-
T3	0.2	3724	656	1.12
	0.4	3610	702	1.19
	0.6	3502	748	1.27
	0.8	3403	793	1.35
	1	3287	843	1.43
	1.2	3169	891	1.52
	1.4	3057	936	1.59
	1.6	2843	991	1.69
T4	0.2	2732	1041	1.77
	0.4	4163	712	1.50
	0.4	4058	752	1.58
	0.6	3957	793	1.67
	0.8	3878	832	1.75
	1	3781	876	1.84
	1.2	3677	921	1.94
	1.4	3576	966	2.03
T5	1.6	3396	1004	2.11
	1.8	3320	1053	2.22
	0.2	4233	721	1.57
	0.4	4129	761	1.66
	0.6	4029	801	1.74
	0.8	3951	839	1.82
	1	3856	882	1.92
	1.2	3754	926	2.02
T6	1.4	3654	971	2.11
	1.6	3482	1008	2.19
	1.8	3408	1055	2.30
	0.2	3656	647	1.06
	0.4	3540	694	1.14
	0.6	3431	742	1.22
	0.8	3327	788	1.30
	1	3207	839	1.38
T6	1.2	3087	887	1.46
	1.4	2973	932	1.53
	1.6	2755	991	1.63
	1.8	2637	1040	1.71

Horizontal Flow				
Speed Tap	ESP	CFM	RPM	BHP
T1	0.2	2353	511	0.37
	0.4	2245	575	0.41
	0.6	2096	645	0.46
	0.8	1837	725	0.52
	1	-	-	-
	1.2	-	-	-
	1.4	-	-	-
	1.6	-	-	-
T2	1.8	-	-	-
	0.2	2548	539	0.46
	0.4	2439	599	0.51
	0.6	2302	664	0.56
	0.8	2080	737	0.62
	1	1907	801	0.68
	1.2	1760	851	0.72
	1.4	-	-	-
T3	1.6	-	-	-
	1.8	-	-	-
	0.2	3670	702	1.19
	0.4	3569	743	1.26
	0.6	3487	784	1.33
	0.8	3423	823	1.40
	1	3324	869	1.48
	1.2	3229	913	1.55
T4	1.4	3064	973	1.66
	1.6	2945	1019	1.73
	1.8	2817	1062	1.81
	0.2	4095	764	1.61
	0.4	4002	800	1.68
	0.6	3933	836	1.76
	0.8	3890	869	1.83
	1	3810	909	1.91
T5	1.2	3726	949	2.00
	1.4	3593	1002	2.11
	1.6	3488	1045	2.20
	1.8	3404	1077	2.27
	0.2	4163	774	1.68
	0.4	4072	810	1.76
	0.6	4004	845	1.84
	0.8	3961	877	1.91
T6	1	3884	916	1.99
	1.2	3800	956	2.08
	1.4	3675	1007	2.19
	1.6	3572	1049	2.28
	1.8	3492	1080	2.35
	0.2	3605	693	1.14
	0.4	3503	734	1.21
	0.6	3418	776	1.28
T6	0.8	3349	817	1.34
	1	3246	864	1.42
	1.2	3149	909	1.49
	1.4	2980	969	1.59
	1.6	2860	1015	1.67
	1.8	2722	1061	1.74

Down Flow				
Speed Tap	ESP	CFM	RPM	BHP
T7	0.2	3840	670	1.21
	0.4	3728	715	1.29
	0.6	3622	760	1.37
	0.8	3531	802	1.45
	1	3421	851	1.53
	1.2	3306	898	1.62
	1.4	3197	944	1.70
	1.6	2990	993	1.79
	1.8	2891	1043	1.88
T8	0.2	3966	686	1.31
	0.4	3857	729	1.40
	0.6	3754	772	1.48
	0.8	3668	813	1.56
	1	3564	860	1.65
	1.2	3454	906	1.74
	1.4	3348	952	1.82
	1.6	3150	997	1.91
	1.8	3062	1046	2.00
T9	0.2	4163	712	1.50
	0.4	4058	752	1.58
	0.6	3957	793	1.67
	0.8	3878	832	1.75
	1	3781	876	1.84
	1.2	3677	921	1.94
	1.4	3576	966	2.03
	1.6	3396	1004	2.11
	1.8	3320	1053	2.22
T10	0.2	4233	721	1.57
	0.4	4129	761	1.66
	0.6	4029	801	1.74
	0.8	3951	839	1.82
	1	3856	882	1.92
	1.2	3754	926	2.02
	1.4	3654	971	2.11
	1.6	3482	1008	2.19
	1.8	3408	1055	2.30

Horizontal Flow				
Speed Tap	ESP	CFM	RPM	BHP
T7	0.2	3781	718	1.29
	0.4	3682	758	1.36
	0.6	3604	797	1.43
	0.8	3549	834	1.50
	1	3455	879	1.58
	1.2	3364	922	1.66
	1.4	3205	980	1.77
	1.6	3090	1026	1.85
	1.8	2975	1065	1.92
	1.8	2975	1065	1.92
T8	0.2	3903	736	1.41
	0.4	3806	774	1.48
	0.6	3732	812	1.55
	0.8	3684	847	1.62
	1	3596	890	1.70
	1.2	3508	932	1.78
	1.4	3358	988	1.89
	1.6	3246	1034	1.98
	1.8	3146	1069	2.05
	1.8	3146	1069	2.05
T9	0.2	4095	764	1.61
	0.4	4002	800	1.68
	0.6	3933	836	1.76
	0.8	3890	869	1.83
	1	3810	909	1.91
	1.2	3726	949	2.00
	1.4	3593	1002	2.11
	1.6	3488	1045	2.20
	1.8	3404	1077	2.27
	1.8	3404	1077	2.27
T10	0.2	4163	774	1.68
	0.4	4072	810	1.76
	0.6	4004	845	1.84
	0.8	3961	877	1.91
	1	3884	916	1.99
	1.2	3800	956	2.08
	1.4	3675	1007	2.19
	1.6	3572	1049	2.28
	1.8	3492	1080	2.35
	1.8	3492	1080	2.35

10 Ton Cooler • Standard Static Direct Drive • Models: DFC1203D, DFC1204D, DFC1207D

Down Flow				
Speed Tap	ESP	CFM	RPM	BHP
T1	0.2	2154	434	0.24
	0.4	-	-	-
	0.6	-	-	-
	0.8	-	-	-
T2	0.2	2471	467	0.34
	0.4	2293	546	0.40
	0.6	-	-	-
	0.8	-	-	-
T3	0.2	3558	579	0.85
	0.4	3437	642	0.94
	0.6	3284	702	1.03
	0.8	3163	755	1.11
T4	0.2	4203	647	1.29
	0.4	4100	701	1.39
	0.6	4010	746	1.48
	0.8	3903	796	1.58
T5	0.2	4308	659	1.37
	0.4	4207	711	1.48
	0.6	4122	755	1.57
	0.8	4015	804	1.67
T6	0.2	3720	596	0.95
	0.4	3606	656	1.04
	0.6	3473	712	1.13
	0.8	3357	764	1.21
T7	0.2	3992	625	0.99
	0.4	3886	681	1.08
	0.6	3781	730	1.16
	0.8	3671	782	1.24
T8	0.2	4192	646	1.28
	0.4	4090	700	1.38
	0.6	3999	745	1.47
	0.8	3891	795	1.57
T9	0.2	4203	647	1.29
	0.4	4100	701	1.39
	0.6	4010	746	1.48
	0.8	3903	796	1.58
T10	0.2	4308	659	1.37
	0.4	4207	711	1.48
	0.6	4122	755	1.57
	0.8	4015	804	1.67

Horizontal Flow				
Speed Tap	ESP	CFM	RPM	BHP
T1	0.2	2099	440	0.24
	0.4	-	-	-
	0.6	-	-	-
	0.8	-	-	-
T2	0.2	2397	475	0.35
	0.4	2148	578	0.42
	0.6	-	-	-
	0.8	-	-	-
T3	0.2	3419	596	0.87
	0.4	3306	652	0.95
	0.6	3143	717	1.05
	0.8	3020	766	1.12
T4	0.2	4026	671	1.33
	0.4	3950	710	1.41
	0.6	3823	764	1.52
	0.8	3713	809	1.61
T5	0.2	4125	683	1.42
	0.4	4051	721	1.50
	0.6	3927	773	1.61
	0.8	3818	817	1.70
T6	0.2	3572	615	0.98
	0.4	3472	665	1.06
	0.6	3319	728	1.15
	0.8	3201	776	1.23
T7	0.2	3828	646	1.03
	0.4	3745	690	1.09
	0.6	3607	747	1.19
	0.8	3495	794	1.26
T8	0.2	4016	669	1.32
	0.4	3940	709	1.40
	0.6	3812	763	1.51
	0.8	3702	808	1.60
T9	0.2	4026	671	1.33
	0.4	3950	710	1.41
	0.6	3823	764	1.52
	0.8	3713	809	1.61
T10	0.2	4125	683	1.42
	0.4	4051	721	1.50
	0.6	3927	773	1.61
	0.8	3818	817	1.70

10 TON COOLER • MEDIUM STATIC DIRECT DRIVE • MODELS: DFC1203L, DFC1204L, DFC1207L

Down Flow				
Speed Tap	ESP	CFM	RPM	BHP
T1	0.2	2471	467	0.34
	0.4	2293	546	0.40
	0.6	-	-	-
	0.8	-	-	-
	1	-	-	-
	1.2	-	-	-
	1.4	-	-	-
T2	0.2	2789	499	0.46
	0.4	2630	574	0.53
	0.6	2351	663	0.61
	0.8	2195	717	0.66
	1	-	-	-
	1.2	-	-	-
	1.4	-	-	-
T3	0.2	3865	611	1.02
	0.4	3755	669	1.12
	0.6	3637	721	1.20
	0.8	3525	773	1.29
	1	3322	842	1.41
	1.2	3193	893	1.49
	1.4	2945	965	1.61
T4	0.2	4556	686	1.56
	0.4	4456	734	1.67
	0.6	4374	777	1.77
	0.8	4265	824	1.87
	1	4121	879	2.00
	1.2	4013	926	2.10
	1.4	3807	987	2.24
T5	0.2	4738	706	1.74
	0.4	4636	752	1.85
	0.6	4547	796	1.96
	0.8	4434	841	2.07
	1	4311	889	2.19
	1.2	4201	934	2.30
	1.4	4020	987	2.43
T6	0.2	4203	647	1.26
	0.4	4100	701	1.37
	0.6	4010	746	1.45
	0.8	3903	796	1.55
	1	3725	860	1.68
	1.2	3611	909	1.77
	1.4	3375	979	1.91
T7	0.2	4360	664	1.39
	0.4	4259	715	1.49
	0.6	4175	759	1.59
	0.8	4068	808	1.69
	1	3905	869	1.81
	1.2	3795	916	1.91
	1.4	3569	984	2.05
T8	0.2	4460	675	1.47
	0.4	4360	725	1.58
	0.6	4278	768	1.68
	0.8	4170	816	1.78
	1	4016	874	1.91
	1.2	3908	921	2.01
	1.4	3691	986	2.15
T9	0.2	4556	686	1.56
	0.4	4456	734	1.67
	0.6	4374	777	1.77
	0.8	4265	824	1.87
	1	4121	879	2.00
	1.2	4013	926	2.10
	1.4	3807	987	2.24
T10	0.2	4738	706	1.74
	0.4	4636	752	1.85
	0.6	4547	796	1.96
	0.8	4434	841	2.07
	1	4311	889	2.19
	1.2	4201	934	2.30
	1.4	4020	987	2.43

Horizontal Flow				
Speed Tap	ESP	CFM	RPM	BHP
T1	0.2	2397	475	0.34
	0.4	2148	578	0.42
	0.6	-	-	-
	0.8	-	-	-
	1	-	-	-
	1.2	-	-	-
	1.4	-	-	-
T2	0.2	2696	510	0.47
	0.4	2493	597	0.55
	0.6	2272	674	0.62
	0.8	2116	726	0.67
	1	-	-	-
	1.2	-	-	-
	1.4	-	-	-
T3	0.2	3707	631	1.05
	0.4	3617	678	1.13
	0.6	3473	738	1.23
	0.8	3359	785	1.31
	1	3125	864	1.44
	1.2	2912	925	1.55
	1.4	2750	974	1.63
T4	0.2	4359	712	1.62
	0.4	4281	749	1.70
	0.6	4164	796	1.81
	0.8	4053	838	1.91
	1	3889	900	2.05
	1.2	3711	955	2.17
	1.4	3593	1003	2.28
T5	0.2	4530	734	1.81
	0.4	4442	772	1.90
	0.6	4328	815	2.01
	0.8	4213	855	2.10
	1	4078	908	2.23
	1.2	3914	961	2.36
	1.4	3807	1007	2.48
T6	0.2	4026	671	1.31
	0.4	3950	710	1.38
	0.6	3823	764	1.49
	0.8	3713	809	1.58
	1	3507	882	1.72
	1.2	3308	941	1.83
	1.4	3167	990	1.93
T7	0.2	4173	689	1.44
	0.4	4099	727	1.52
	0.6	3978	777	1.62
	0.8	3868	821	1.72
	1	3679	890	1.86
	1.2	3489	947	1.98
	1.4	3357	997	2.08
T8	0.2	4268	701	1.53
	0.4	4192	738	1.61
	0.6	4074	787	1.72
	0.8	3964	829	1.81
	1	3787	895	1.95
	1.2	3603	951	2.08
	1.4	3478	1000	2.18
T9	0.2	4359	712	1.62
	0.4	4281	749	1.70
	0.6	4164	796	1.81
	0.8	4053	838	1.91
	1	3889	900	2.05
	1.2	3711	955	2.17
	1.4	3593	1003	2.28
T10	0.2	4530	734	1.81
	0.4	4442	772	1.90
	0.6	4328	815	2.01
	0.8	4213	855	2.10
	1	4078	908	2.23
	1.2	3914	961	2.36
	1.4	3807	1007	2.48

10 TON COOLER • HIGH STATIC DIRECT DRIVE • MODELS: DFC1023W, DFC1024W, DFC1027W

Down Flow				
Speed Tap	ESP	CFM	RPM	BHP
T1	0.2	2349	487	0.35
	0.4	2188	559	0.40
	0.6	2036	630	0.45
	0.8	1791	713	0.51
	1	-	-	-
	1.2	-	-	-
	1.4	-	-	-
	1.6	-	-	-
T2	0.2	2553	512	0.43
	0.4	2400	579	0.49
	0.6	2256	646	0.55
	0.8	2038	723	0.61
	1	1833	786	0.67
	1.2	-	-	-
	1.4	-	-	-
	1.6	-	-	-
T3	0.2	3724	656	1.12
	0.4	3610	702	1.19
	0.6	3502	748	1.27
	0.8	3403	793	1.35
	1	3287	843	1.43
	1.2	3169	891	1.52
	1.4	3057	936	1.59
	1.6	2843	991	1.69
T4	0.2	2732	1041	1.77
	0.4	4163	712	1.50
	0.4	4058	752	1.58
	0.6	3957	793	1.67
	0.8	3878	832	1.75
	1	3781	876	1.84
	1.2	3677	921	1.94
	1.4	3576	966	2.03
T5	1.6	3396	1004	2.11
	1.8	3320	1053	2.22
	0.2	4233	721	1.57
	0.4	4129	761	1.66
	0.6	4029	801	1.74
	0.8	3951	839	1.82
	1	3856	882	1.92
	1.2	3754	926	2.02
T6	1.4	3654	971	2.11
	1.6	3482	1008	2.19
	1.8	3408	1055	2.30
	0.2	3656	647	1.06
	0.4	3540	694	1.14
	0.6	3431	742	1.22
	0.8	3327	788	1.30
	1	3207	839	1.38
T6	1.2	3087	887	1.46
	1.4	2973	932	1.53
	1.6	2755	991	1.63
	1.8	2637	1040	1.71

Horizontal Flow				
Speed Tap	ESP	CFM	RPM	BHP
T1	0.2	2353	511	0.37
	0.4	2245	575	0.41
	0.6	2096	645	0.46
	0.8	1837	725	0.52
	1	-	-	-
	1.2	-	-	-
	1.4	-	-	-
	1.6	-	-	-
T2	1.8	-	-	-
	0.2	2548	539	0.46
	0.4	2439	599	0.51
	0.6	2302	664	0.56
	0.8	2080	737	0.62
	1	1907	801	0.68
	1.2	1760	851	0.72
	1.4	-	-	-
T3	1.6	-	-	-
	1.8	-	-	-
	0.2	3670	702	1.19
	0.4	3569	743	1.26
	0.6	3487	784	1.33
	0.8	3423	823	1.40
	1	3324	869	1.48
	1.2	3229	913	1.55
T4	1.4	3064	973	1.66
	1.6	2945	1019	1.73
	1.8	2817	1062	1.81
	0.2	4095	764	1.61
	0.4	4002	800	1.68
	0.6	3933	836	1.76
	0.8	3890	869	1.83
	1	3810	909	1.91
T5	1.2	3726	949	2.00
	1.4	3593	1002	2.11
	1.6	3488	1045	2.20
	1.8	3404	1077	2.27
	0.2	4163	774	1.68
	0.4	4072	810	1.76
	0.6	4004	845	1.84
	0.8	3961	877	1.91
T6	1	3884	916	1.99
	1.2	3800	956	2.08
	1.4	3675	1007	2.19
	1.6	3572	1049	2.28
	1.8	3492	1080	2.35
	0.2	3605	693	1.14
	0.4	3503	734	1.21
	0.6	3418	776	1.28
T6	0.8	3349	817	1.34
	1	3246	864	1.42
	1.2	3149	909	1.49
	1.4	2980	969	1.59
	1.6	2860	1015	1.67
	1.8	2722	1061	1.74

Down Flow				
Speed Tap	ESP	CFM	RPM	BHP
T7	0.2	3840	670	1.21
	0.4	3728	715	1.29
	0.6	3622	760	1.37
	0.8	3531	802	1.45
	1	3421	851	1.53
	1.2	3306	898	1.62
	1.4	3197	944	1.70
	1.6	2990	993	1.79
T8	1.8	2891	1043	1.88
	0.2	3966	686	1.31
	0.4	3857	729	1.40
	0.6	3754	772	1.48
	0.8	3668	813	1.56
	1	3564	860	1.65
	1.2	3454	906	1.74
	1.4	3348	952	1.82
T9	1.6	3150	997	1.91
	1.8	3062	1046	2.00
	0.2	4163	712	1.50
	0.4	4058	752	1.58
	0.6	3957	793	1.67
	0.8	3878	832	1.75
	1	3781	876	1.84
	1.2	3677	921	1.94
T10	1.4	3576	966	2.03
	1.6	3396	1004	2.11
	1.8	3320	1053	2.22
	0.2	4233	721	1.57
	0.4	4129	761	1.66
	0.6	4029	801	1.74
	0.8	3951	839	1.82
	1	3856	882	1.92
T10	1.2	3754	926	2.02
	1.4	3654	971	2.11
	1.6	3482	1008	2.19
	1.8	3408	1055	2.30

Horizontal Flow				
Speed Tap	ESP	CFM	RPM	BHP
T7	0.2	3781	718	1.29
	0.4	3682	758	1.36
	0.6	3604	797	1.43
	0.8	3549	834	1.50
	1	3455	879	1.58
	1.2	3364	922	1.66
	1.4	3205	980	1.77
	1.6	3090	1026	1.85
T8	1.8	2975	1065	1.92
	0.2	3903	736	1.41
	0.4	3806	774	1.48
	0.6	3732	812	1.55
	0.8	3684	847	1.62
	1	3596	890	1.70
	1.2	3508	932	1.78
	1.4	3358	988	1.89
T9	1.6	3246	1034	1.98
	1.8	3146	1069	2.05
	0.2	4095	764	1.61
	0.4	4002	800	1.68
	0.6	3933	836	1.76
	0.8	3890	869	1.83
	1	3810	909	1.91
	1.2	3726	949	2.00
T10	1.4	3593	1002	2.11
	1.6	3488	1045	2.20
	1.8	3404	1077	2.27
	0.2	4163	774	1.68
	0.4	4072	810	1.76
	0.6	4004	845	1.84
	0.8	3961	877	1.91
	1	3884	916	1.99
T10	1.2	3800	956	2.08
	1.4	3675	1007	2.19
	1.6	3572	1049	2.28
	1.8	3492	1080	2.35

12.5 Ton Cooler • Standard Static Direct Drive • Models: DFC1503D, DFC1504D, DFC1507D

Down Flow				
Speed Tap	ESP	CFM	RPM	BHP
T1	0.2	2158	454	0.25
	0.4	1860	565	0.31
	0.6	1532	657	0.37
	0.8	1323	710	0.40
T2	0.2	2501	491	0.37
	0.4	2253	586	0.44
	0.6	1977	669	0.51
	0.8	1761	729	0.55
T3	0.2	4373	700	1.49
	0.4	4292	740	1.58
	0.6	4200	787	1.68
	0.8	4047	845	1.80
T4	0.2	4883	761	2.05
	0.4	4781	809	2.18
	0.6	4676	849	2.29
	0.8	4601	886	2.39
T5	0.2	4954	770	2.14
	0.4	4843	821	2.29
	0.6	4732	861	2.40
	0.8	4673	893	2.49
T6	0.2	4373	700	1.49
	0.4	4292	740	1.58
	0.6	4200	787	1.68
	0.8	4047	845	1.80
T7	0.2	4603	727	1.55
	0.4	4519	768	1.64
	0.6	4428	812	1.73
	0.8	4304	863	1.84
T8	0.2	4729	742	1.86
	0.4	4639	785	1.97
	0.6	4544	827	2.07
	0.8	4440	873	2.19
T9	0.2	4883	761	2.05
	0.4	4781	809	2.18
	0.6	4676	849	2.29
	0.8	4601	886	2.39
T10	0.2	4954	770	2.14
	0.4	4843	821	2.29
	0.6	4732	861	2.40
	0.8	4673	893	2.49

Horizontal Flow				
Speed Tap	ESP	CFM	RPM	BHP
T1	0.2	2124	462	0.26
	0.4	1926	534	0.30
	0.6	1609	625	0.35
	0.8	1383	692	0.39
T2	0.2	2447	503	0.38
	0.4	2275	570	0.43
	0.6	2010	650	0.49
	0.8	1810	713	0.54
T3	0.2	4258	736	1.57
	0.4	4177	777	1.66
	0.6	4103	816	1.74
	0.8	4012	858	1.83
T4	0.2	4784	805	2.17
	0.4	4697	842	2.27
	0.6	4614	881	2.37
	0.8	4532	920	2.48
T5	0.2	4860	815	2.27
	0.4	4769	851	2.37
	0.6	4681	892	2.48
	0.8	4598	930	2.59
T6	0.2	4258	736	1.57
	0.4	4177	777	1.66
	0.6	4103	816	1.74
	0.8	4012	858	1.83
T7	0.2	4492	766	1.64
	0.4	4411	805	1.72
	0.6	4339	843	1.80
	0.8	4255	884	1.89
T8	0.2	4622	783	1.96
	0.4	4540	821	2.06
	0.6	4465	860	2.15
	0.8	4383	899	2.25
T9	0.2	4784	805	2.17
	0.4	4697	842	2.27
	0.6	4614	881	2.37
	0.8	4532	920	2.48
T10	0.2	4860	815	2.27
	0.4	4769	851	2.37
	0.6	4681	892	2.48
	0.8	4598	930	2.59

12.5 TON COOLER • MEDIUM STATIC DIRECT DRIVE • MODELS: DFC1503L, DFC1504L, DFC1507L

Down Flow					Horizontal Flow				
Speed Tap	ESP	CFM	RPM	BHP	Speed Tap	ESP	CFM	RPM	BHP
T1	0.2	2543	483	0.39	T1	0.2	2460	510	0.41
	0.4	2344	561	0.45		0.4	2228	602	0.49
	0.6	2082	653	0.53		0.6	1972	687	0.56
	0.8	1822	727	0.59		0.8	1804	742	0.60
	1	1632	773	0.63		1	1610	797	0.64
	1.2	1380	832	0.67		1.2	1395	852	0.69
	1.4	-	-	-		1.4	1313	904	0.73
T2	0.2	2845	517	0.50	T2	0.2	2748	548	0.53
	0.4	2659	589	0.57		0.4	2543	631	0.61
	0.6	2425	673	0.65		0.6	2311	709	0.69
	0.8	2185	743	0.72		0.8	2155	762	0.74
	1	2004	790	0.77		1	1963	817	0.79
	1.2	1758	849	0.83		1.2	1763	871	0.85
T3	0.2	4522	709	1.46	T3	0.2	4351	764	1.57
	0.4	4400	754	1.55		0.4	4266	804	1.65
	0.6	4295	799	1.64		0.6	4152	847	1.74
	0.8	4158	848	1.74		0.8	4053	889	1.83
	1	4026	895	1.84		1	3893	942	1.93
	1.2	3826	952	1.96		1.2	3772	986	2.03
	1.4	3671	996	2.05		1.4	3591	1039	2.13
T4	0.2	5513	828	2.46	T4	0.2	5302	897	2.67
	0.4	5418	863	2.57		0.4	5246	924	2.75
	0.6	5346	896	2.66		0.6	5177	956	2.84
	0.8	5253	935	2.78		0.8	5099	991	2.94
	1	5153	978	2.90		1	4987	1033	3.07
	1.2	5005	1025	3.04		1.2	4904	1069	3.18
	1.4	4883	1066	3.17		1.4	4750	1113	3.31
T5	0.2	5616	841	2.60	T5	0.2	5401	912	2.82
	0.4	5522	876	2.71		0.4	5343	939	2.90
	0.6	5450	909	2.81		0.6	5277	970	3.00
	0.8	5359	947	2.93		0.8	5200	1004	3.11
	1	5263	988	3.06		1	5096	1044	3.23
	1.2	5122	1033	3.20		1.2	5016	1079	3.34
	1.4	5004	1074	3.32		1.4	4872	1121	3.47
T6	0.2	4881	751	1.76	T6	0.2	4695	811	1.90
	0.4	4769	792	1.86		0.4	4626	845	1.98
	0.6	4683	831	1.95		0.6	4532	883	2.07
	0.8	4564	876	2.06		0.8	4442	922	2.16
	1	4444	922	2.16		1	4296	972	2.28
	1.2	4258	976	2.29		1.2	4189	1014	2.38
	1.4	4116	1020	2.39		1.4	4008	1065	2.50
T7	0.2	5215	791	2.10	T7	0.2	5015	856	2.27
	0.4	5113	828	2.20		0.4	4956	885	2.35
	0.6	5038	864	2.29		0.6	4878	919	2.44
	0.8	4934	905	2.40		0.8	4795	956	2.54
	1	4824	950	2.52		1	4665	1003	2.66
	1.2	4656	1001	2.66		1.2	4571	1042	2.76
	1.4	4525	1044	2.77		1.4	4398	1090	2.89
T8	0.2	5413	816	2.33	T8	0.2	5205	883	2.53
	0.4	5315	851	2.43		0.4	5149	911	2.60
	0.6	5244	885	2.53		0.6	5078	943	2.70
	0.8	5147	925	2.64		0.8	4998	978	2.80
	1	5044	968	2.77		1	4879	1022	2.92
	1.2	4888	1016	2.91		1.2	4793	1059	3.03
	1.4	4763	1058	3.03		1.4	4631	1105	3.16
T9	0.2	5513	828	2.46	T9	0.2	5302	897	2.67
	0.4	5418	863	2.57		0.4	5246	924	2.75
	0.6	5346	896	2.66		0.6	5177	956	2.84
	0.8	5253	935	2.78		0.8	5099	991	2.94
	1	5153	978	2.90		1	4987	1033	3.07
	1.2	5005	1025	3.04		1.2	4904	1069	3.18
	1.4	4883	1066	3.17		1.4	4750	1113	3.31
T10	0.2	5616	841	2.60	T10	0.2	5401	912	2.82
	0.4	5522	876	2.71		0.4	5343	939	2.90
	0.6	5450	909	2.81		0.6	5277	970	3.00
	0.8	5359	947	2.93		0.8	5200	1004	3.11
	1	5263	988	3.06		1	5096	1044	3.23
	1.2	5122	1033	3.20		1.2	5016	1079	3.34
	1.4	5004	1074	3.32		1.4	4872	1121	3.47

12.5 TON COOLER • HIGH STATIC DIRECT DRIVE • MODELS: DFC1503W, DFC1504W, DFC1507W

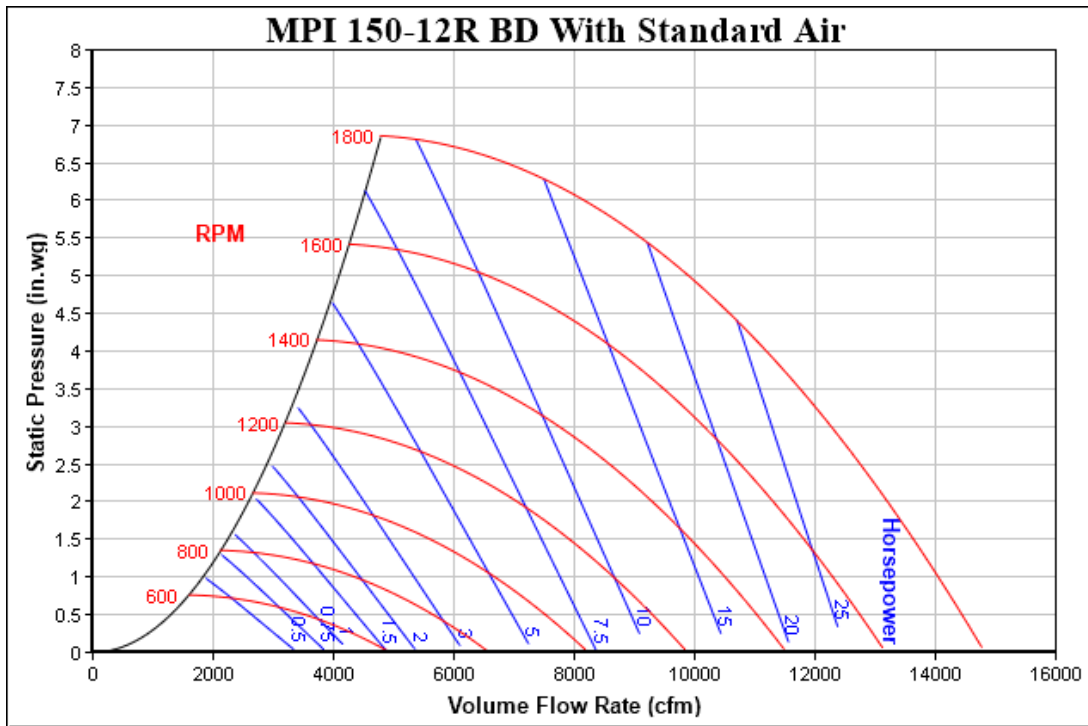
Down Flow				
Speed Tap	ESP	CFM	RPM	BHP
T1	0.2	2752	506	0.47
	0.4	2562	580	0.53
	0.6	-	-	-
	0.8	-	-	-
	1	-	-	-
	1.2	-	-	-
	1.4	-	-	-
	1.6	-	-	-
T2	0.2	2983	532	0.56
	0.4	2802	602	0.63
	0.6	2580	682	0.72
	0.8	-	-	-
	1	-	-	-
	1.2	-	-	-
	1.4	-	-	-
	1.6	-	-	-
T3	0.2	4898	753	1.78
	0.4	4788	793	1.87
	0.6	4702	832	1.97
	0.8	4584	877	2.07
	1	4464	923	2.18
	1.2	4280	978	2.31
	1.4	4138	1021	2.41
	1.6	3912	1078	2.55
T4	0.2	3739	1115	2.63
	0.4	5749	859	2.81
	0.6	5658	893	2.92
	0.8	5582	926	3.03
	1	5494	963	3.15
	1.2	5402	1003	3.28
	1.4	5273	1045	3.42
	1.6	5158	1085	3.55
T5	0.2	5003	1130	3.69
	0.4	4866	1160	3.79
	0.6	5849	872	2.97
	0.8	5757	906	3.09
	1	5677	940	3.21
	1.2	5591	977	3.33
	1.4	5502	1015	3.46
	1.6	5383	1055	3.60
T6	0.2	5270	1093	3.73
	0.4	5132	1135	3.87
	0.6	5003	1167	3.98
	0.8	5162	785	2.04
	1	5059	822	2.14
	1.2	4982	858	2.23
	1.4	4876	900	2.34
	1.6	4765	945	2.46

Horizontal Flow				
Speed Tap	ESP	CFM	RPM	BHP
T1	0.2	2659	536	0.49
	0.4	-	-	-
	0.6	-	-	-
	0.8	-	-	-
	1	-	-	-
	1.2	-	-	-
	1.4	-	-	-
	1.6	-	-	-
T2	0.2	2879	566	0.59
	0.4	2685	645	0.68
	0.6	-	-	-
	0.8	-	-	-
	1	-	-	-
	1.2	-	-	-
	1.4	-	-	-
	1.6	-	-	-
T3	0.2	4712	813	1.92
	0.4	4643	847	2.00
	0.6	4551	885	2.09
	0.8	4461	924	2.18
	1	4315	974	2.30
	1.2	4210	1015	2.40
	1.4	4028	1066	2.52
	1.6	3884	1109	2.62
T4	0.2	3675	1166	2.75
	0.4	5530	931	3.04
	0.6	5468	958	3.13
	0.8	5403	989	3.23
	1	5327	1022	3.34
	1.2	5234	1059	3.46
	1.4	5158	1092	3.57
	1.6	5032	1132	3.70
T5	0.2	4929	1166	3.81
	0.4	5625	946	3.23
	0.6	5559	974	3.32
	0.8	5494	1005	3.43
	1	5417	1037	3.54
	1.2	5335	1072	3.66
	1.4	5261	1103	3.77
	1.6	5151	1140	3.89
T6	0.2	5055	1173	4.00
	0.4	4907	1216	4.15
	0.6	4965	849	2.21
	0.8	4905	878	2.29
	1	4824	913	2.38
	1.2	4740	951	2.47
	1.4	4607	998	2.60
	1.6	4512	1037	2.70

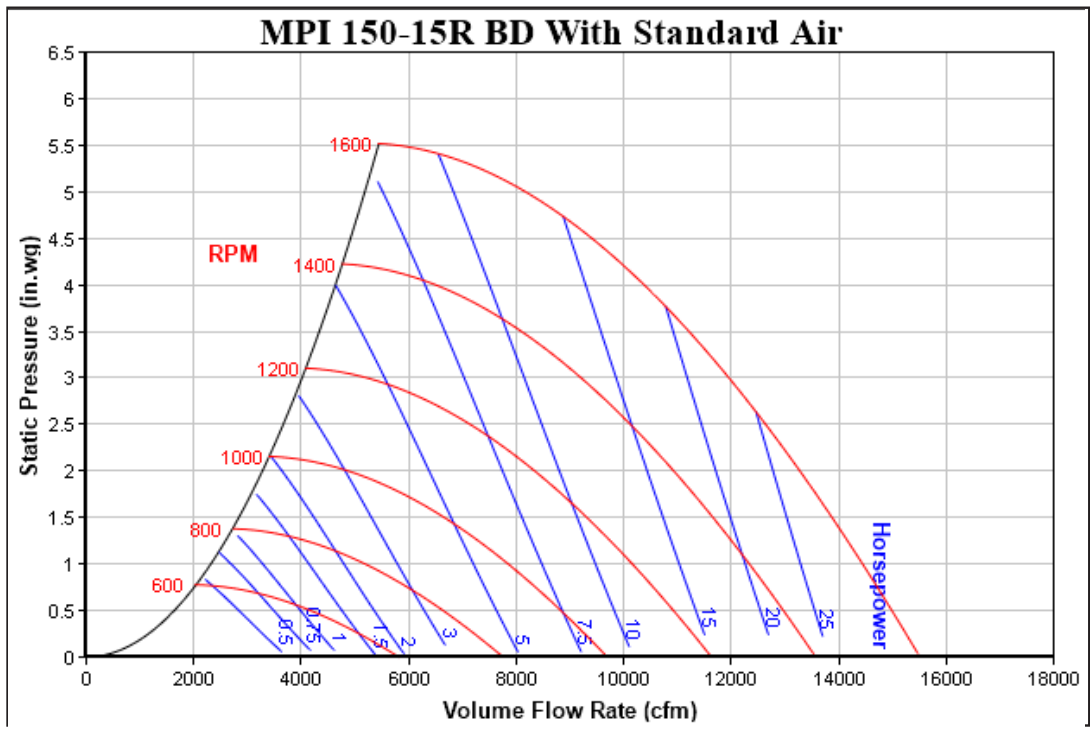
Down Flow				
Speed Tap	ESP	CFM	RPM	BHP
T7	0.2	5459	822	2.39
	0.4	5363	857	2.49
	0.6	5291	890	2.59
	0.8	5196	929	2.70
	1	5094	972	2.83
	1.2	4942	1020	2.97
	1.4	4818	1062	3.09
	1.6	4628	1113	3.24
	1.8	4475	1143	3.33
T8	0.2	5653	846	2.66
	0.4	5560	880	2.77
	0.6	5487	913	2.87
	0.8	5397	951	2.99
	1	5302	992	3.12
	1.2	5164	1037	3.26
	1.4	5046	1077	3.38
	1.6	4878	1125	3.53
	1.8	4734	1154	3.62
T9	0.2	5749	859	2.81
	0.4	5658	893	2.92
	0.6	5582	926	3.03
	0.8	5494	963	3.15
	1	5402	1003	3.28
	1.2	5273	1045	3.42
	1.4	5158	1085	3.55
	1.6	5003	1130	3.69
	1.8	4866	1160	3.79
T10	0.2	5849	872	2.97
	0.4	5757	906	3.09
	0.6	5677	940	3.21
	0.8	5591	977	3.33
	1	5502	1015	3.46
	1.2	5383	1055	3.60
	1.4	5270	1093	3.73
	1.6	5132	1135	3.87
	1.8	5003	1167	3.98

Horizontal Flow				
Speed Tap	ESP	CFM	RPM	BHP
T7	0.2	5250	890	2.59
	0.4	5194	917	2.67
	0.6	5124	949	2.76
	0.8	5045	984	2.86
	1	4929	1027	2.99
	1.2	4844	1063	3.09
	1.4	4686	1108	3.23
	1.6	4568	1146	3.34
	1.8	4371	1198	3.49
T8	0.2	5436	917	2.88
	0.4	5378	944	2.96
	0.6	5312	975	3.06
	0.8	5235	1008	3.17
	1	5134	1048	3.29
	1.2	5055	1082	3.40
	1.4	4916	1124	3.53
	1.6	4808	1159	3.64
	1.8	4629	1207	3.79
T9	0.2	5530	931	3.04
	0.4	5468	958	3.13
	0.6	5403	989	3.23
	0.8	5327	1022	3.34
	1	5234	1059	3.46
	1.2	5158	1092	3.57
	1.4	5032	1132	3.70
	1.6	4929	1166	3.81
	1.8	4764	1212	3.96
T10	0.2	5625	946	3.23
	0.4	5559	974	3.32
	0.6	5494	1005	3.43
	0.8	5417	1037	3.54
	1	5335	1072	3.66
	1.2	5261	1103	3.77
	1.4	5151	1140	3.89
	1.6	5055	1173	4.00
	1.8	4907	1216	4.15

7.5 - 8.5 Ton blower Fan Curve



10 - 12.5 Ton blower Fan Curve



Static Pressure

7.5-12.5 TONS		
DOWNFLOW ECONOMIZER PRESSURE DROP		
Cabinet	CFM	SP in. wg.
7.5 Ton	2250	.04"
	3000	.07"
	3750	.11"
8.5 Ton	2550	.06"
	3400	.10"
	4250	.16"
10 Ton	3000	.08"
	4000	.13"
	5000	.22"
12.5 Ton	3750	.14"
	5000	.24"
	6250	.36"

7.5-12.5 TONS		
HORIZONTAL ECONOMIZER PRESSURE DROP		
Cabinet	CFM	SP in. wg.
7.5 Ton	2250	.05"
	3000	.07"
	3750	.13"
8.5 Ton	2550	.07"
	3400	.13"
	4250	.18"
10 Ton	3000	.07"
	4000	.12"
	5000	.19"
12.5 Ton	3750	.09"
	5000	.15"
	6250	.24"

Electrical Data

Model Number	Electrical Rating	Compressor			Outdoor Fan Motor			Indoor Fan Motor			Optional Electric Heat			Optional Powered Convenience Outlet		Optional Power Exhaust		Power Supply	
		QTY	RLA	LRA	QTY	HP	FLA	TYPE	HP	FLA	PART #	KW*	FLA	FLA	FLA	MCA	MOP		
DFC0903D	208/230/3/60	2	13.1	83.1	2	0.33	2	Direct Drive Standard Static	2.4	8	-	-	-	-	-	41.6/41.6	50/50		
											-	-	-	9.6/8.7	-	51.2/50.3	60/60		
											-	-	-	-	3.3/3.0	44.9/44.6	50/50		
											-	-	-	9.6/8.7	3.3/3.0	54.5/53.3	60/60		
											-	-	-	-	-	49.1/55.1	50/60		
											EH*D-3M15	11.3/15.0	31.3/36.1	9.6/8.7	-	61.1/66.0	70/70		
														-	3.3/3.0	53.2/58.9	60/60		
														9.6/8.7	3.3/3.0	65.2/69.7	70/70		
											EH*D-3M30	22.5/30.0	62.5/72.2	-	-	88.2/100	90/110		
														9.6/8.7	-	100/111	110/125		
														-	3.3/3.0	92.3/104	100/110		
											EH*D-3M45	33.8/45.0	93.8/108	9.6/8.7	3.3/3.0	104/115	110/125		
														-	-	127/145	150/150		
														9.6/8.7	-	139/156	150/175		
											-	-	-	3.3/3.0	131/149	150/150			
9.6/8.7	3.3/3.0	143/160	150/175																
DFC0903L	208/230/3/60	2	13.1	83.1	2	0.33	2	Direct Drive Medium Static	2.4	8	-	-	-	-	-	41.6/41.6	50/50		
											-	-	-	9.6/8.7	-	51.2/50.3	60/60		
											-	-	-	-	3.3/3.0	44.9/44.6	50/50		
											-	-	-	9.6/8.7	3.3/3.0	54.5/53.3	60/60		
											-	-	-	-	-	49.1/55.1	50/60		
											EH*D-3M15	11.3/15.0	31.3/36.1	9.6/8.7	-	61.1/66.0	70/70		
														-	3.3/3.0	53.2/58.9	60/60		
														9.6/8.7	3.3/3.0	65.2/69.7	70/70		
											EH*D-3M30	22.5/30.0	62.5/72.2	-	-	88.2/100	90/110		
														9.6/8.7	-	100/111	110/125		
														-	3.3/3.0	92.3/104	100/110		
											EH*D-3M45	33.8/45.0	93.8/108	9.6/8.7	3.3/3.0	104/115	110/125		
														-	-	127/145	150/150		
														9.6/8.7	-	139/156	150/175		
											-	-	-	3.3/3.0	131/149	150/150			
9.6/8.7	3.3/3.0	143/160	150/175																
DFC0903W	208/230/3/60	2	13.1	83.1	2	0.33	2	Direct Drive High Static	2.4	8	-	-	-	-	-	41.6/41.6	50/50		
											-	-	-	9.6/8.7	-	51.2/50.3	60/60		
											-	-	-	-	3.3/3.0	44.9/44.6	50/50		
											-	-	-	9.6/8.7	3.3/3.0	54.5/53.3	60/60		
											-	-	-	-	-	49.1/55.1	50/60		
											EH*D-3M15	11.3/15.0	31.3/36.1	9.6/8.7	-	61.1/66.0	70/70		
														-	3.3/3.0	53.2/58.9	60/60		
														9.6/8.7	3.3/3.0	65.2/69.7	70/70		
											EH*D-3M30	22.5/30.0	62.5/72.2	-	-	88.2/100	90/110		
														9.6/8.7	-	100/111	110/125		
														-	3.3/3.0	92.3/104	100/110		
											EH*D-3M45	33.8/45.0	93.8/108	9.6/8.7	3.3/3.0	104/115	110/125		
														-	-	127/145	150/150		
														9.6/8.7	-	139/156	150/175		
											-	-	-	3.3/3.0	131/149	150/150			
9.6/8.7	3.3/3.0	143/160	150/175																
DFC0904D	460/3/60	2	6.1	41	2	0.33	0.85	Direct Drive Standard Static	2.4	5.4	-	-	-	-	-	20.8	25		
											-	-	-	4.3	-	25.1	30		
											-	-	-	-	1	21.8	25		
											-	-	-	4.3	1	26.1	30		
											-	-	-	-	-	29.3	30		
											EH*D-4M15	15	18	4.3	-	34.7	35		
														-	1	30.6	35		
														4.3	1	35.9	40		
											EH*D-4M30	30	36.1	-	-	51.9	60		
														4.3	-	57.2	60		
														-	1	53.1	60		
											EH*D-4M45	45	54.1	4.3	1	58.5	60		
														-	-	74.4	80		
														4.3	-	79.8	80		
											-	-	-	1	75.7	80			
4.3	1	81.0	90																

Electrical Data

Model Number	Electrical Rating	Compressor			Outdoor Fan Motor			Indoor Fan Motor			Optional Electric Heat			Optional Powered Convenience Outlet	Optional Power Exhaust	Power Supply	
		QTY	RLA	LRA	QTY	HP	FLA	TYPE	HP	FLA	PART #	KW*	FLA	FLA	FLA	MCA	MOP
DFC0904L	460/3/60	2	6.1	41	2	0.33	0.85	Direct Drive Medium Static	2.4	5.4	-	-	-	-	-	20.8	25
											-	-	-	4.3	-	25.1	30
											-	-	-	-	1	21.8	25
											-	-	-	4.3	1	26.1	30
											-	-	-	-	-	29.3	30
											EH*D-4M15	15	18	4.3	-	34.7	35
														-	1	30.6	35
														4.3	1	35.9	40
											EH*D-4M30	30	36.1	-	-	51.9	60
														4.3	-	57.2	60
														-	1	53.1	60
											EH*D-4M45	45	54.1	4.3	1	58.5	60
														-	-	74.4	80
														4.3	-	79.8	80
											-	-	-	4.3	1	75.7	80
-	-	-	-	-	81.0	90											
DFC0904W	460/3/60	2	6.1	41	2	0.33	0.85	Direct Drive High Static	2.4	5.4	-	-	-	-	-	20.8	25
											-	-	-	4.3	-	25.1	30
											-	-	-	-	1	21.8	25
											-	-	-	4.3	1	26.1	30
											-	-	-	-	-	29.3	30
											EH*D-4M15	15	18	4.3	-	34.7	35
														-	1	30.6	35
														4.3	1	35.9	40
											EH*D-4M30	30	36.1	-	-	51.9	60
														4.3	-	57.2	60
														-	1	53.1	60
											EH*D-4M45	45	54.1	4.3	1	58.5	60
														-	-	74.4	80
														4.3	-	79.8	80
											-	-	-	4.3	1	75.7	80
-	-	-	-	-	81.0	90											
DFC0907D	575/3/60	2	4.4	33	2	0.33	0.67	Direct Drive Standard Static	2.4	4	-	-	-	-	-	15.1	20
											-	-	-	3.5	-	18.6	20
											-	-	-	-	1.7	16.3	20
											-	-	-	3.5	1.7	19.8	20
											-	-	-	-	-	23.0	25
											EH*D-7M15	15	14.4	3.5	-	27.4	30
														-	1.7	24.5	25
														3.5	1.7	28.9	30
											EH*D-7M30	30	28.9	-	-	41.1	45
														3.5	-	45.5	50
														-	1.7	42.6	45
											EH*D-7M45	45	43.3	3.5	1.7	47.0	50
														-	-	59.1	60
														3.5	-	63.5	70
											-	-	-	3.5	1.7	60.6	70
-	-	-	3.5	1.7	65.0	70											
DFC0907L	575/3/60	2	4.4	33	2	0.33	0.67	Direct Drive Medium Static	2.4	4	-	-	-	-	-	15.1	20
											-	-	-	3.5	-	18.6	20
											-	-	-	-	1.7	16.3	20
											-	-	-	3.5	1.7	19.8	20
											-	-	-	-	-	23.0	25
											EH*D-7M15	15	14.4	3.5	-	27.4	30
														-	1.7	24.5	25
														3.5	1.7	28.9	30
											EH*D-7M30	30	28.9	-	-	41.1	45
														3.5	-	45.5	50
														-	1.7	42.6	45
											EH*D-7M45	45	43.3	3.5	1.7	47.0	50
														-	-	59.1	60
														3.5	-	63.5	70
											-	-	-	3.5	1.7	60.6	70
-	-	-	3.5	1.7	65.0	70											

Electrical Data

Model Number	Electrical Rating	Compressor			Outdoor Fan Motor			Indoor Fan Motor			Optional Electric Heat			Optional Powered Convenience Outlet	Optional Power Exhaust	Power Supply	
		QTY	RLA	LRA	QTY	HP	FLA	TYPE	HP	FLA	PART #	KW*	FLA	FLA	FLA	MCA	MOP
DFC0907W	575/3/60	2	4.4	33	2	0.33	0.67	Direct Drive High Static	2.4	4	-	-	-	-	-	15.1	20
											-	-	-	3.5	-	18.6	20
											-	-	-	-	1.7	16.3	20
											-	-	-	3.5	1.7	19.8	20
											-	-	-	-	-	23.0	25
											EH*D-7M15	15	14.4	3.5	-	27.4	30
														-	1.7	24.5	25
														3.5	1.7	28.9	30
											EH*D-7M30	30	28.9	-	-	41.1	45
														3.5	-	45.5	50
														-	1.7	42.6	45
											EH*D-7M45	45	43.3	3.5	-	47.0	50
-	-	59.1	60														
-	1.7	60.6	70														
-	-	-	3.5	1.7	65.0	70											
DFC1023D	208/230/3/60	2	14.5	98	2	0.33	2	Direct Drive Standard Static	2.4	8	-	-	-	-	-	44.6/44.6	50/50
											-	-	-	9.6/8.7	-	54.2/53.3	60/60
											-	-	-	-	3.3/3.0	47.9/47.6	60/60
											-	-	-	9.6/8.7	3.3/3.0	57.5/56.3	70/70
											-	-	-	-	-	49.1/55.1	50/60
											EH*D-3M15	11.3/15.0	31.3/36.1	9.6/8.7	-	61.1/66.0	70/70
														-	3.3/3.0	53.2/58.9	60/60
														9.6/8.7	3.3/3.0	65.2/69.7	70/70
											EH*D-3M30	22.5/30.0	62.5/72.2	-	-	88.2/100	90/110
														9.6/8.7	-	100/111	110/125
														-	3.3/3.0	92.3/104	100/110
											EH*D-3M45	33.8/45.0	93.8/108	9.6/8.7	3.3/3.0	104/115	110/125
-	-	127/145	150/150														
-	3.3/3.0	139/156	150/175														
-	-	-	9.6/8.7	3.3/3.0	131/149	150/150											
-	-	-	9.6/8.7	3.3/3.0	143/160	150/175											
DFC1023L	208/230/3/60	2	14.5	98	2	0.33	2	Direct Drive Medium Static	2.4	8	-	-	-	-	-	44.6/44.6	50/50
											-	-	-	9.6/8.7	-	54.2/53.3	60/60
											-	-	-	-	3.3/3.0	47.9/47.6	60/60
											-	-	-	9.6/8.7	3.3/3.0	57.5/56.3	70/70
											-	-	-	-	-	49.1/55.1	50/60
											EH*D-3M15	11.3/15.0	31.3/36.1	9.6/8.7	-	61.1/66.0	70/70
														-	3.3/3.0	53.2/58.9	60/60
														9.6/8.7	3.3/3.0	65.2/69.7	70/70
											EH*D-3M30	22.5/30.0	62.5/72.2	-	-	88.2/100	90/110
														9.6/8.7	-	100/111	110/125
														-	3.3/3.0	92.3/104	100/110
											EH*D-3M45	33.8/45.0	93.8/108	9.6/8.7	3.3/3.0	104/115	110/125
-	-	127/145	150/150														
-	3.3/3.0	139/156	150/175														
-	-	-	9.6/8.7	3.3/3.0	131/149	150/150											
-	-	-	9.6/8.7	3.3/3.0	143/160	150/175											
DFC1023W	208/230/3/60	2	14.5	98	2	0.33	2	Direct Drive High Static	2.4	8	-	-	-	-	-	44.6/44.6	50/50
											-	-	-	9.6/8.7	-	54.2/53.3	60/60
											-	-	-	-	3.3/3.0	47.9/47.6	60/60
											-	-	-	9.6/8.7	3.3/3.0	57.5/56.3	70/70
											-	-	-	-	-	49.1/55.1	50/60
											EH*D-3M15	11.3/15.0	31.3/36.1	9.6/8.7	-	61.1/66.0	70/70
														-	3.3/3.0	53.2/58.9	60/60
														9.6/8.7	3.3/3.0	65.2/69.7	70/70
											EH*D-3M30	22.5/30.0	62.5/72.2	-	-	88.2/100	90/110
														9.6/8.7	-	100/111	110/125
														-	3.3/3.0	92.3/104	100/110
											EH*D-3M45	33.8/45.0	93.8/108	9.6/8.7	3.3/3.0	104/115	110/125
-	-	127/145	150/150														
-	3.3/3.0	139/156	150/175														
-	-	-	9.6/8.7	3.3/3.0	131/149	150/150											
-	-	-	9.6/8.7	3.3/3.0	143/160	150/175											

Electrical Data

Model Number	Electrical Rating	Compressor			Outdoor Fan Motor			Indoor Fan Motor			Optional Electric Heat			Optional Powered Convenience Outlet	Optional Power Exhaust	Power Supply	
		QTY	RLA	LRA	QTY	HP	FLA	TYPE	HP	FLA	PART #	KW*	FLA	FLA	FLA	MCA	MOP
DFC1024D	460/3/60	2	6.3	55	2	0.33	0.85	Direct Drive Standard Static	2.4	5.4	-	-	-	-	-	21.4	25
											-	-	-	4.3	-	25.7	30
											-	-	-	-	1	22.4	25
											-	-	-	4.3	1	26.7	30
											-	-	-	-	-	29.3	30
											EH*D-4M15	15	18	4.3	-	34.7	35
														-	1	30.6	35
														4.3	1	35.9	40
											EH*D-4M30	30	36.1	-	-	51.9	60
														4.3	-	57.2	60
														-	1	53.1	60
											EH*D-4M45	45	54.1	4.3	1	58.5	60
														-	-	74.4	80
														4.3	-	79.8	80
											-	-	-	4.3	1	75.7	80
-	-	-	-	-	81.0	90											
DFC1024L	460/3/60	2	6.3	55	2	0.33	0.85	Direct Drive Medium Static	2.4	5.4	-	-	-	-	-	21.4	25
											-	-	-	4.3	-	25.7	30
											-	-	-	-	1	22.4	25
											-	-	-	4.3	1	26.7	30
											-	-	-	-	-	29.3	30
											EH*D-4M15	15	18	4.3	-	34.7	35
														-	1	30.6	35
														4.3	1	35.9	40
											EH*D-4M30	30	36.1	-	-	51.9	60
														4.3	-	57.2	60
														-	1	53.1	60
											EH*D-4M45	45	54.1	4.3	1	58.5	60
														-	-	74.4	80
														4.3	-	79.8	80
											-	-	-	4.3	1	75.7	80
-	-	-	-	-	81.0	90											
DFC1024W	460/3/60	2	6.3	55	2	0.33	0.85	Direct Drive High Static	2.4	5.4	-	-	-	-	-	21.4	25
											-	-	-	4.3	-	25.7	30
											-	-	-	-	1	22.4	25
											-	-	-	4.3	1	26.7	30
											-	-	-	-	-	29.3	30
											EH*D-4M15	15	18	4.3	-	34.7	35
														-	1	30.6	35
														4.3	1	35.9	40
											EH*D-4M30	30	36.1	-	-	51.9	60
														4.3	-	57.2	60
														-	1	53.1	60
											EH*D-4M45	45	54.1	4.3	1	58.5	60
														-	-	74.4	80
														4.3	-	79.8	80
											-	-	-	4.3	1	75.7	80
-	-	-	-	-	81.0	90											
DFC1027D	575/3/60	2	6	41	2	0.33	0.67	Direct Drive Standard Static	2.4	4	-	-	-	-	-	18.9	20
											-	-	-	3.5	-	22.4	25
											-	-	-	-	1.7	20.1	25
											-	-	-	3.5	1.7	23.6	25
											-	-	-	-	-	23.0	25
											EH*D-7M15	15	14.4	3.5	-	27.4	30
														-	1.7	24.5	25
														3.5	1.7	28.9	30
											EH*D-7M30	30	28.9	-	-	41.1	45
														3.5	-	45.5	50
														-	1.7	42.6	45
											EH*D-7M45	45	43.3	3.5	1.7	47.0	50
														-	-	59.1	60
														3.5	-	63.5	70
											-	-	-	-	1.7	60.6	70
-	-	-	3.5	1.7	65.0	70											

Electrical Data

Model Number	Electrical Rating	Compressor			Outdoor Fan Motor			Indoor Fan Motor			Optional Electric Heat			Optional Powered Convenience Outlet	Optional Power Exhaust	Power Supply	
		QTY	RLA	LRA	QTY	HP	FLA	TYPE	HP	FLA	PART #	KW*	FLA	FLA	FLA	MCA	MOP
DFC1027L	575/3/60	2	6	41	2	0.33	0.67	Direct Drive Medium Static	2.4	4	-	-	-	-	-	18.9	20
											-	-	-	3.5	-	22.4	25
											-	-	-	-	1.7	20.1	25
											-	-	-	3.5	1.7	23.6	25
											-	-	-	-	-	23.0	25
											EH*D-7M15	15	14.4	3.5	-	27.4	30
														-	1.7	24.5	25
														3.5	1.7	28.9	30
											EH*D-7M30	30	28.9	-	-	41.1	45
														3.5	-	45.5	50
														-	1.7	42.6	45
											EH*D-7M45	45	43.3	3.5	-	47.0	50
-	-	59.1	60														
3.5	-	63.5	70														
-	-	-	3.5	1.7	60.6	70											
-	-	-	3.5	1.7	65.0	70											
DFC1027W	575/3/60	2	6	41	2	0.33	0.67	Direct Drive High Static	2.4	4	-	-	-	-	-	18.9	20
											-	-	-	3.5	-	22.4	25
											-	-	-	-	1.7	20.1	25
											-	-	-	3.5	1.7	23.6	25
											-	-	-	-	-	23.0	25
											EH*D-7M15	15	14.4	3.5	-	27.4	30
														-	1.7	24.5	25
														3.5	1.7	28.9	30
											EH*D-7M30	30	28.9	-	-	41.1	45
														3.5	-	45.5	50
														-	1.7	42.6	45
											EH*D-7M45	45	43.3	3.5	-	47.0	50
-	-	59.1	60														
3.5	-	63.5	70														
-	-	-	3.5	1.7	60.6	70											
-	-	-	3.5	1.7	65.0	70											
DFC1203D	208/230/3/60	2	15.6	110	2	0.33	2	Direct Drive Standard Static	2.4	8	-	-	-	-	-	47.2/47.2	60/60
											-	-	-	9.6/8.7	-	56.8/55.9	70/70
											-	-	-	-	3.3/3.0	50.5/50.2	60/60
											-	-	-	9.6/8.7	3.3/3.0	60.1/58.9	70/70
											-	-	-	-	-	49.1/55.1	60/60
											EH*D-3M15	11.3/15.0	31.3/36.1	9.6/8.7	-	61.1/66.0	70/70
														-	3.3/3.0	53.2/58.9	60/60
														9.6/8.7	3.3/3.0	65.2/69.7	70/70
											-	-	-	-	-	88.2/100	90/110
											EH*D-3M30	22.5/30.0	62.5/72.2	9.6/8.7	-	100/111	110/125
														-	3.3/3.0	92.3/104	100/110
														9.6/8.7	3.3/3.0	104/115	110/125
-	-	-	-	-	127/145	150/150											
EH*D-3M45	33.8/45.0	93.8/108	9.6/8.7	-	139/156	150/175											
			-	3.3/3.0	131/149	150/150											
			9.6/8.7	3.3/3.0	143/160	150/175											
DFC1203L	208/230/3/60	2	15.6	110	2	0.33	2	Direct Drive Medium Static	3.5	10.9	-	-	-	-	-	50.1/50.1	60/60
											-	-	-	9.6/8.7	-	59.7/58.8	70/70
											-	-	-	-	3.3/3.0	53.4/53.1	60/60
											-	-	-	9.6/8.7	3.3/3.0	63.0/61.8	70/70
											-	-	-	-	-	52.7/58.7	60/60
											EH*D-3M15	11.3/15.0	31.3/36.1	9.6/8.7	-	64.7/69.6	70/70
														-	3.3/3.0	56.8/62.5	60/70
														9.6/8.7	3.3/3.0	68.8/73.4	70/80
											-	-	-	-	-	91.8/104	100/110
											EH*D-3M30	22.5/30.0	62.5/72.2	9.6/8.7	-	104/115	110/125
														-	3.3/3.0	95.9/108	100/110
														9.6/8.7	3.3/3.0	108/118	110/125
-	-	-	-	-	131/149	150/150											
EH*D-3M45	33.8/45.0	93.8/108	9.6/8.7	-	143/160	150/175											
			-	3.3/3.0	135/153	150/175											
			9.6/8.7	3.3/3.0	147/164	150/175											

Electrical Data

Model Number	Electrical Rating	Compressor			Outdoor Fan Motor			Indoor Fan Motor			Optional Electric Heat			Optional Powered Convenience Outlet	Optional Power Exhaust	Power Supply	
		QTY	RLA	LRA	QTY	HP	FLA	TYPE	HP	FLA	PART #	KW*	FLA	FLA	FLA	MCA	MOP
DFC1203W	208/230/3/60	2	15.6	110	2	0.33	2	Direct Drive High Static	3.5	10.9	-	-	-	-	-	50.1/50.1	60/60
											-	-	-	9.6/8.7	-	59.7/58.8	70/70
											-	-	-	-	3.3/3.0	53.4/53.1	60/60
											-	-	-	9.6/8.7	3.3/3.0	63.0/61.8	70/70
											-	-	-	-	-	52.7/58.7	60/60
											EH*D-3M15	11.3/15.0	31.3/36.1	9.6/8.7	-	64.7/69.6	70/70
														-	3.3/3.0	56.8/62.5	60/70
											EH*D-3M30	22.5/30.0	62.5/72.2	9.6/8.7	3.3/3.0	68.8/73.4	70/80
														-	-	91.8/104	100/110
														9.6/8.7	-	104/115	110/125
														-	3.3/3.0	95.9/108	100/110
											EH*D-3M45	33.8/45.0	93.8/108	9.6/8.7	3.3/3.0	108/118	110/125
														-	-	131/149	150/150
														9.6/8.7	-	143/160	150/175
														-	3.3/3.0	135/153	150/175
											-	-	-	9.6/8.7	3.3/3.0	147/164	150/175
DFC1204D	460/3/60	2	7.8	52	2	0.33	0.85	Direct Drive Standard Static	2.4	5.4	-	-	-	-	-	24.6	30
											-	-	-	4.3	-	28.9	35
											-	-	-	-	1	25.6	30
											-	-	-	4.3	1	29.9	35
											-	-	-	-	-	29.3	30
											EH*D-4M15	15	18	4.3	-	34.7	35
														-	1	30.6	35
											EH*D-4M30	30	36.1	4.3	1	35.9	40
														-	-	51.9	60
														4.3	-	57.2	60
														-	1	53.1	60
											EH*D-4M45	45	54.1	4.3	1	58.5	60
														-	-	74.4	80
														4.3	-	79.8	80
														-	1	75.7	80
											-	-	-	4.3	1	81.0	90
DFC1204L	460/3/60	2	7.8	52	2	0.33	0.85	Direct Drive Medium Static	3.5	7.2	-	-	-	-	-	26.4	30
											-	-	-	4.3	-	30.7	35
											-	-	-	-	1	27.4	35
											-	-	-	4.3	1	31.7	35
											-	-	-	-	-	31.6	35
											EH*D-4M15	15	18	4.3	-	36.9	40
														-	1	32.8	35
											EH*D-4M30	30	36.1	4.3	1	38.2	40
														-	-	54.1	60
														4.3	-	59.5	60
														-	1	55.4	60
											EH*D-4M45	45	54.1	4.3	1	60.7	70
														-	-	76.7	80
														4.3	-	82.0	90
														-	1	77.9	80
											-	-	-	4.3	1	83.3	90
DFC1204W	460/3/60	2	7.8	52	2	0.33	0.85	Direct Drive High Static	3.5	7.2	-	-	-	-	-	26.4	30
											-	-	-	4.3	-	30.7	35
											-	-	-	-	1	27.4	35
											-	-	-	4.3	1	31.7	35
											-	-	-	-	-	31.6	35
											EH*D-4M15	15	18	4.3	-	36.9	40
														-	1	32.8	35
											EH*D-4M30	30	36.1	4.3	1	38.2	40
														-	-	54.1	60
														4.3	-	59.5	60
														-	1	55.4	60
											EH*D-4M45	45	54.1	4.3	1	60.7	70
														-	-	76.7	80
														4.3	-	82.0	90
														-	1	77.9	80
											-	-	-	4.3	1	83.3	90

Electrical Data

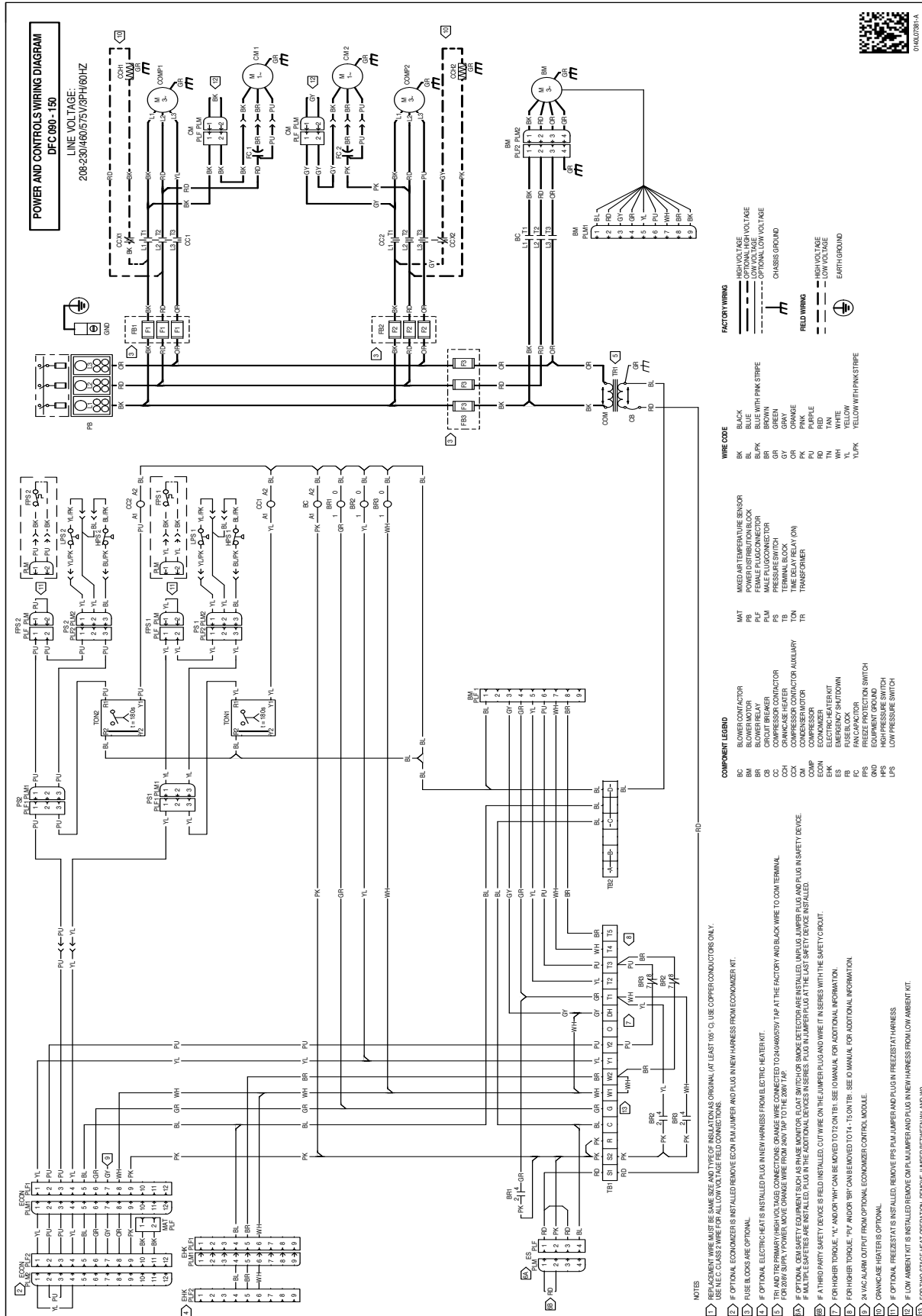
Model Number	Electrical Rating	Compressor			Outdoor Fan Motor			Indoor Fan Motor			Optional Electric Heat			Optional Powered Convenience Outlet	Optional Power Exhaust	Power Supply	
		QTY	RLA	LRA	QTY	HP	FLA	TYPE	HP	FLA	PART #	KW*	FLA	FLA	FLA	MCA	MOP
DFC1207D	575/3/60	2	5.8	38.9	2	0.33	0.67	Direct Drive Standard Static	2.4	4	-	-	-	-	-	18.5	20
											-	-	-	3.5	-	22.0	25
											-	-	-	-	1.7	19.7	25
											-	-	-	3.5	1.7	23.2	25
											-	-	-	-	-	23.0	25
											EH*D-7M15	15	14.4	3.5	-	27.4	30
														-	1.7	24.5	25
														3.5	1.7	28.9	30
											EH*D-7M30	30	28.9	-	-	41.1	45
														3.5	-	45.5	50
														-	1.7	42.6	45
											EH*D-7M45	45	43.3	3.5	1.7	47.0	50
														-	-	59.1	60
														3.5	-	63.5	70
											-	-	-	3.5	1.7	60.6	70
											-	-	-	3.5	1.7	65.0	70
DFC1207L	575/3/60	2	5.8	38.9	2	0.33	0.67	Direct Drive Medium Static	3.5	5	-	-	-	-	-	19.5	25
											-	-	-	3.5	-	23.0	25
											-	-	-	-	1.7	20.7	25
											-	-	-	3.5	1.7	24.2	25
											-	-	-	-	-	24.3	25
											EH*D-7M15	15	14.4	3.5	-	28.7	30
														-	1.7	25.8	30
														3.5	1.7	30.2	35
											EH*D-7M30	30	28.9	-	-	42.3	45
														3.5	-	46.7	50
														-	1.7	43.8	45
											EH*D-7M45	45	43.3	3.5	1.7	48.2	50
														-	-	60.4	70
														3.5	-	64.8	70
											-	-	-	3.5	1.7	61.9	70
											-	-	-	3.5	1.7	66.3	70
DFC1207W	575/3/60	2	5.8	38.9	2	0.33	0.67	Direct Drive High Static	3.5	5	-	-	-	-	-	19.5	25
											-	-	-	3.5	-	23.0	25
											-	-	-	-	1.7	20.7	25
											-	-	-	3.5	1.7	24.2	25
											-	-	-	-	-	24.3	25
											EH*D-7M15	15	14.4	3.5	-	28.7	30
														-	1.7	25.8	30
														3.5	1.7	30.2	35
											EH*D-7M30	30	28.9	-	-	42.3	45
														3.5	-	46.7	50
														-	1.7	43.8	45
											EH*D-7M45	45	43.3	3.5	1.7	48.2	50
														-	-	60.4	70
														3.5	-	64.8	70
											-	-	-	3.5	1.7	61.9	70
											-	-	-	3.5	1.7	66.3	70
DFC1503D	208/230/3/60	2	19	123	2	0.5	2.7	Direct Drive Standard Static	3.5	10.9	-	-	-	-	-	59.1/59.1	70/70
											-	-	-	9.6/8.7	-	68.7/67.8	80/80
											-	-	-	-	3.3/3.0	62.4/62.1	80/80
											-	-	-	9.6/8.7	3.3/3.0	72.0/70.8	90/80
											-	-	-	-	-	59.1/59.1	70/70
											EH*D-3M15	11.3/15.0	31.3/36.1	9.6/8.7	-	68.7/69.6	80/80
														-	3.3/3.0	62.4/62.5	80/80
														9.6/8.7	3.3/3.0	72.0/73.4	90/80
											EH*D-3M30	22.5/30.0	62.5/72.2	-	-	91.8/104	100/110
														9.6/8.7	-	104/115	110/125
														-	3.3/3.0	95.9/108	100/110
											EH*D-3M45	33.8/45.0	93.8/108	9.6/8.7	3.3/3.0	108/118	110/125
														-	-	131/149	150/150
														9.6/8.7	-	143/160	150/175
											-	-	-	9.6/8.7	3.3/3.0	135/153	150/175
											-	-	-	9.6/8.7	3.3/3.0	147/164	150/175

Electrical Data

Model Number	Electrical Rating	Compressor			Outdoor Fan Motor			Indoor Fan Motor			Optional Electric Heat			Optional Powered Convenience Outlet	Optional Power Exhaust	Power Supply	
		QTY	RLA	LRA	QTY	HP	FLA	TYPE	HP	FLA	PART #	KW*	FLA	FLA	FLA	MCA	MOP
DFC1503L	208/230/3/60	2	19	123	2	0.5	2.7	Direct Drive Medium Static	5	14.5	-	-	-	-	-	62.7/62.7	80/80
											-	-	-	9.6/8.7	-	72.3/71.4	90/90
											-	-	-	-	3.3/3.0	66.0/65.7	80/80
											-	-	-	9.6/8.7	3.3/3.0	75.6/74.4	90/90
											-	-	-	-	-	62.7/63.2	80/80
											-	-	-	9.6/8.7	-	72.3/74.1	90/90
											-	-	-	3.3/3.0	66.0/67.0	80/80	
											-	-	-	9.6/8.7	3.3/3.0	75.6/77.9	90/90
											-	-	-	-	-	96.3/108	100/110
											-	-	-	9.6/8.7	-	108/119	110/125
											-	-	-	3.3/3.0	100/112	110/125	
											-	-	-	9.6/8.7	3.3/3.0	112/123	125/125
											-	-	-	-	-	135/153	150/175
											-	-	-	9.6/8.7	-	147/164	150/175
											-	-	-	3.3/3.0	140/157	150/175	
-	-	-	9.6/8.7	3.3/3.0	152/168	175/175											
DFC1503W	208/230/3/60	2	19	123	2	0.5	2.7	Direct Drive High Static	5	14.5	-	-	-	-	-	62.7/62.7	80/80
											-	-	-	9.6/8.7	-	72.3/71.4	90/90
											-	-	-	-	3.3/3.0	66.0/65.7	80/80
											-	-	-	9.6/8.7	3.3/3.0	75.6/74.4	90/90
											-	-	-	-	-	62.7/63.2	80/80
											-	-	-	9.6/8.7	-	72.3/74.1	90/90
											-	-	-	3.3/3.0	66.0/67.0	80/80	
											-	-	-	9.6/8.7	3.3/3.0	75.6/77.9	90/90
											-	-	-	-	-	96.3/108	100/110
											-	-	-	9.6/8.7	-	108/119	110/125
											-	-	-	3.3/3.0	100/112	110/125	
											-	-	-	9.6/8.7	3.3/3.0	112/123	125/125
											-	-	-	-	-	135/153	150/175
											-	-	-	9.6/8.7	-	147/164	150/175
											-	-	-	3.3/3.0	140/157	150/175	
-	-	-	9.6/8.7	3.3/3.0	152/168	175/175											
DFC1504D	460/3/60	2	9.7	62	2	0.5	1.4	Direct Drive Standard Static	3.5	7.2	-	-	-	-	-	31.9	40
											-	-	-	4.3	-	36.2	45
											-	-	-	-	1	32.9	40
											-	-	-	4.3	1	37.2	45
											-	-	-	-	-	31.9	40
											-	-	-	18	-	-	40
											-	-	-	4.3	-	36.9	45
											-	-	-	-	1	32.9	40
											-	-	-	4.3	1	38.2	45
											-	-	-	-	-	54.1	60
											-	-	-	36.1	-	-	60
											-	-	-	4.3	-	59.5	60
											-	-	-	-	1	55.4	60
											-	-	-	4.3	1	60.7	70
											-	-	-	-	-	76.7	80
-	-	-	54.1	-	-	80											
-	-	-	4.3	-	82.0	90											
-	-	-	-	1	77.9	80											
-	-	-	4.3	1	83.3	90											
DFC1504L	460/3/60	2	9.7	62	2	0.5	1.4	Direct Drive Medium Static	5	10.6	-	-	-	-	-	35.3	45
											-	-	-	4.3	-	39.6	50
											-	-	-	-	1	36.3	45
											-	-	-	4.3	1	40.6	50
											-	-	-	-	-	35.8	45
											-	-	-	4.3	-	41.2	50
											-	-	-	-	1	37.1	45
											-	-	-	4.3	1	42.4	50
											-	-	-	-	-	58.4	60
											-	-	-	4.3	-	63.7	70
											-	-	-	36.1	-	59.6	60
											-	-	-	-	1	65.0	70
											-	-	-	4.3	1	80.9	90
											-	-	-	-	-	86.3	90
											-	-	-	4.3	-	82.2	90
-	-	-	-	1	87.5	90											

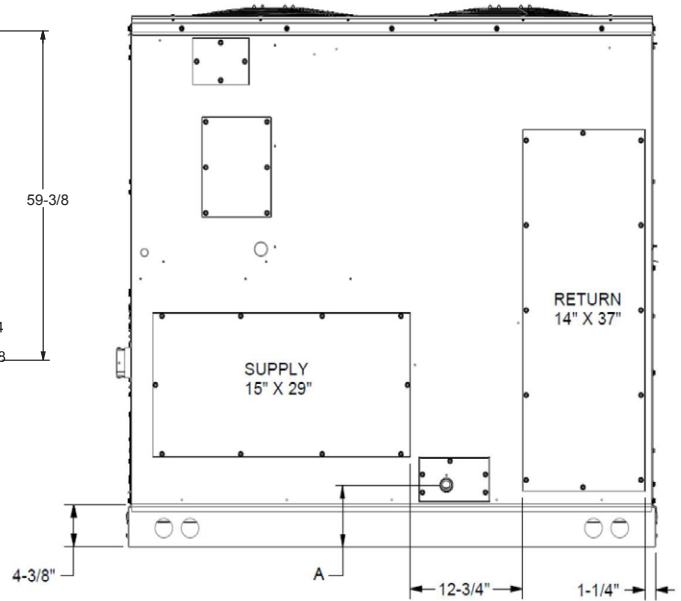
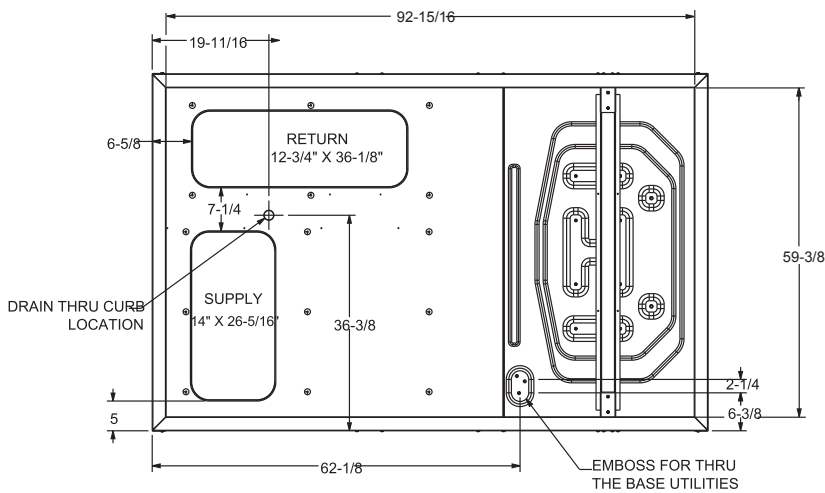
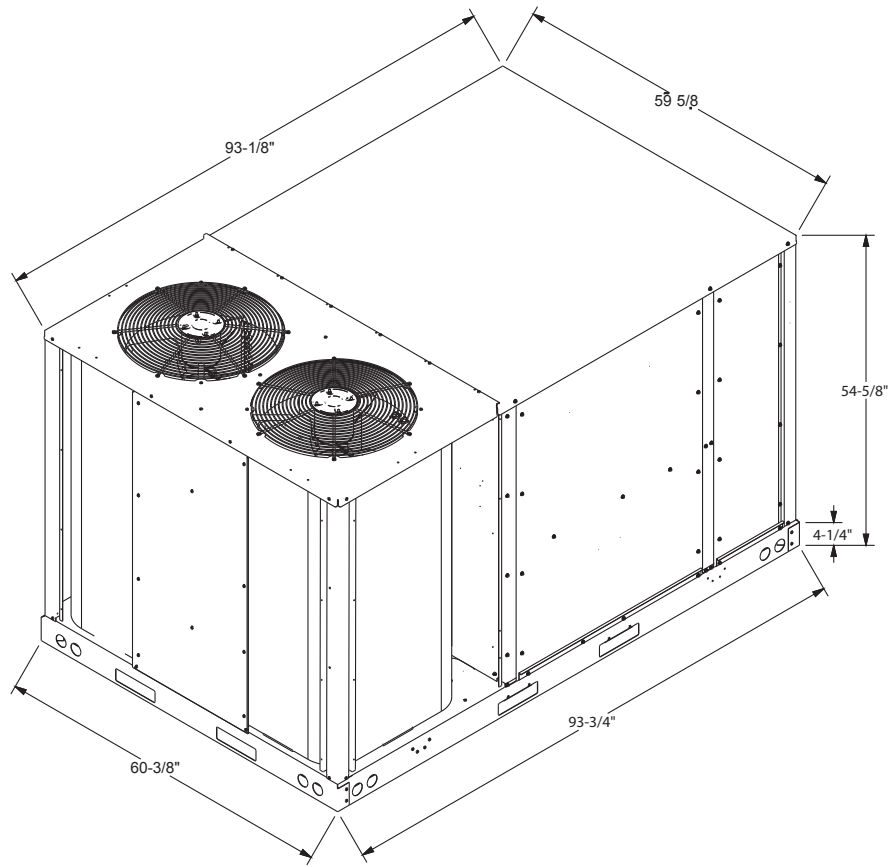
Electrical Data

Model Number	Electrical Rating	Compressor			Outdoor Fan Motor			Indoor Fan Motor			Optional Electric Heat			Optional Powered Convenience Outlet	Optional Power Exhaust	Power Supply		
		QTY	RLA	LRA	QTY	HP	FLA	TYPE	HP	FLA	PART #	KW*	FLA	FLA	FLA	MCA	MOP	
DFC1504W	460/3/60	2	9.7	62	2	0.5	1.4	Direct Drive High Static	5	10.6	-	-	-	-	-	35.3	45	
											-	-	-	4.3	-	39.6	50	
											-	-	-	-	-	1	36.3	45
											-	-	-	4.3	1	40.6	50	
											-	-	-	-	-	-	35.8	45
											EH*D-4M15	15	18	4.3	-	41.2	50	
														-	1	37.1	45	
														4.3	1	42.4	50	
											EH*D-4M30	30	36.1	-	-	58.4	60	
														4.3	-	63.7	70	
														-	1	59.6	60	
											EH*D-4M45	45	54.1	-	-	65.0	70	
														4.3	-	80.9	90	
														-	1	82.2	90	
											-	-	-	4.3	1	87.5	90	
DFC1507D	575/3/60	2	7.4	50	2	0.5	1	Direct Drive Standard Static	3.5	5	-	-	-	-	-	23.7	30	
											-	-	-	3.5	-	27.2	30	
											-	-	-	-	-	1.7	24.9	30
											-	-	-	3.5	1.7	28.4	35	
											-	-	-	-	-	-	24.3	30
											EH*D-7M15	15	14.4	3.5	-	28.7	30	
														-	1.7	25.8	30	
														3.5	1.7	30.2	35	
											EH*D-7M30	30	28.9	-	-	42.3	45	
														3.5	-	46.7	50	
														-	1.7	43.8	45	
											EH*D-7M45	45	43.3	3.5	1.7	48.2	50	
														-	-	60.4	70	
														3.5	-	64.8	70	
											-	-	-	3.5	1.7	61.9	70	
-	-	-	3.5	1.7	66.3	70												
DFC1507L	575/3/60	2	7.4	50	2	0.5	1	Direct Drive Medium Static	5	7.2	-	-	-	-	-	25.9	30	
											-	-	-	3.5	-	29.4	35	
											-	-	-	-	-	1.7	27.1	30
											-	-	-	3.5	1.7	30.6	35	
											-	-	-	-	-	-	27.0	30
											EH*D-7M15	15	14.4	3.5	-	31.4	35	
														-	1.7	28.5	30	
														3.5	1.7	32.9	35	
											EH*D-7M30	30	28.9	-	-	45.1	50	
														3.5	-	49.5	50	
														-	1.7	46.6	50	
											EH*D-7M45	45	43.3	3.5	1.7	51.0	60	
														-	-	63.1	70	
														3.5	-	67.5	70	
											-	-	-	3.5	1.7	64.6	70	
-	-	-	3.5	1.7	69.0	70												
DFC1507W	575/3/60	2	7.4	50	2	0.5	1	Direct Drive High Static	5	7.2	-	-	-	-	-	25.9	30	
											-	-	-	3.5	-	29.4	35	
											-	-	-	-	-	1.7	27.1	30
											-	-	-	3.5	1.7	30.6	35	
											-	-	-	-	-	-	27.0	30
											EH*D-7M15	15	14.4	3.5	-	31.4	35	
														-	1.7	28.5	30	
														3.5	1.7	32.9	35	
											EH*D-7M30	30	28.9	-	-	45.1	50	
														3.5	-	49.5	50	
														-	1.7	46.6	50	
											EH*D-7M45	45	43.3	3.5	1.7	51.0	60	
														-	-	63.1	70	
														3.5	-	67.5	70	
											-	-	-	3.5	1.7	64.6	70	
-	-	-	3.5	1.7	69.0	70												



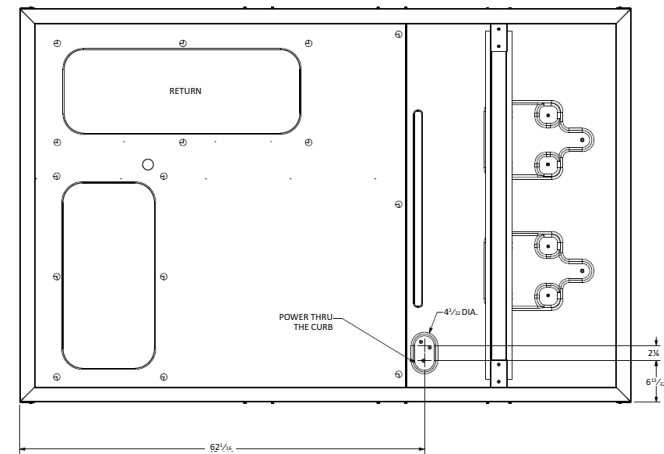
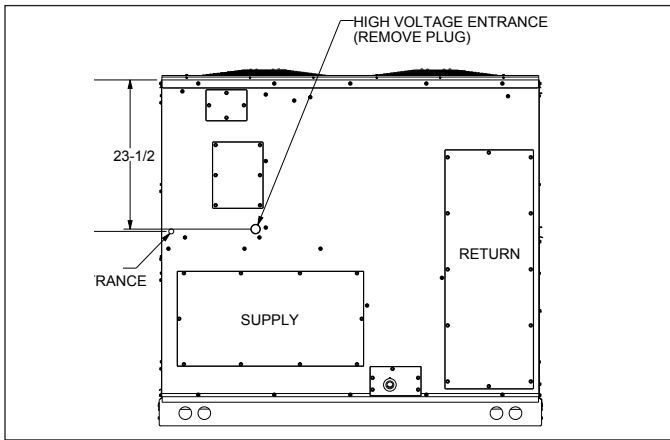
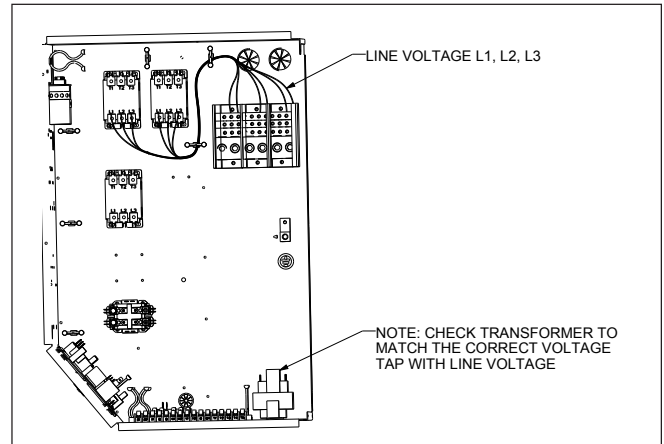
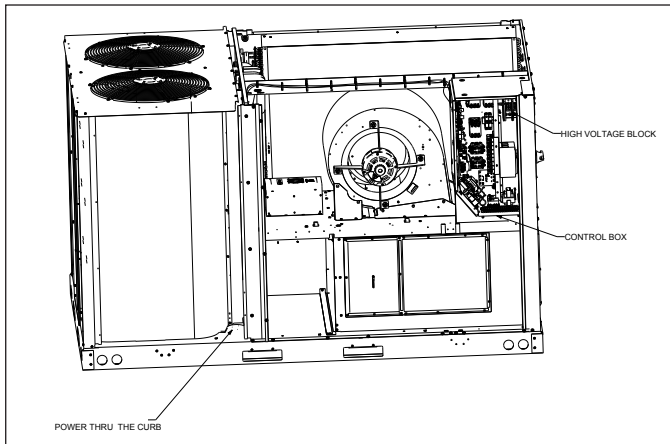
WARNING

High Voltage: Disconnect all power before servicing or installing this unit. Multiple power sources may be present. Failure to do so may cause property damage, personal injury, or death.



UNIT	DIM "A"
DFC 090	9"
DFC 102	9"
DFC 120	6½"
DFC 150	6½"

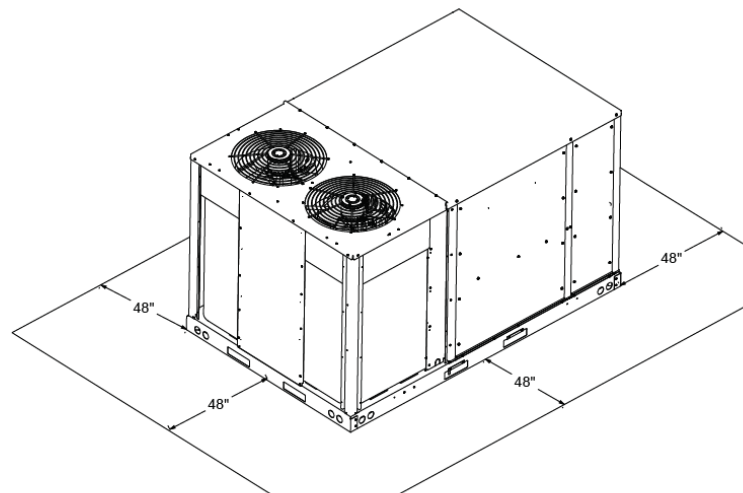
Electrical Connections



Unit Clearances

Service Clearance

Allow for recommended service clearances as shown in figure to the right. In situations that have multiple units, a 48" minimum clearance is required between the condenser coils. A clearance of 48" is recommended on all sides of the unit to allow service access and to ensure proper ventilation and condenser airflow. The top of the unit should be unobstructed. Provide a roof walkway along the sides of the unit for service and access to controls and components. Contact your Daikin sales representative for service requirements less than those recommended.



UNIT CLEARANCES

Unit Location

The structural engineer must verify that the roof has adequate support and ability to minimize deflection. Take extreme caution when using on a wooden roof structure. Unit condenser coils should be in a location that avoids any heated exhaust air.

Allow sufficient space around the unit for maintenance/service clearance. Consult your Daikin sales representative if available clearances do not meet minimum recommendations.

Where code considerations, such as the NEC, require extended clearances, these take precedence.

Provisions for forks have been included in the unit base frame. No other fork locations are approved.

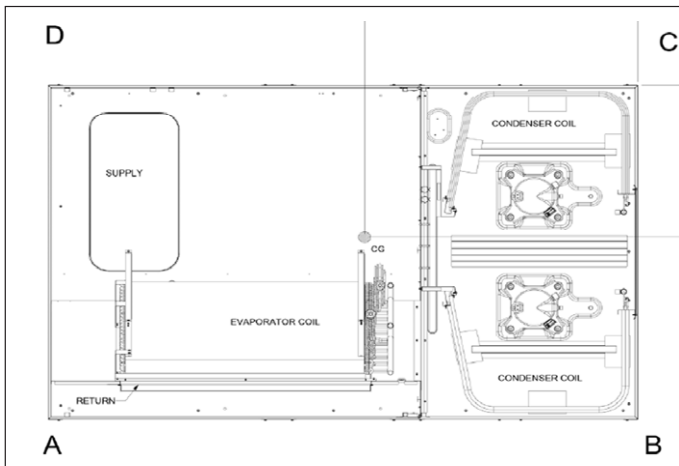
- » Unit must be lifted by the four lifting holes located at the base frame corners.
- » Lifting cables should be attached to the unit with shackles.
- » The distance between the crane hook and the top of the unit must not be less than 60".
- » Two spreader bars must span over the unit to prevent damage to the cabinet by the lift cables. Spreader bars must be of sufficient length so that cables do not come in contact with the unit during transport. Remove wood struts mounted beneath

unit base frame before setting unit on roof curb. These struts are intended to protect unit base frame from forklift damage. To remove the struts, extract the sheet metal retainers and pull the struts through the base of the unit. Refer to rigging label on the unit.

Important: If using bottom discharge with roof curb, ductwork should be attached to the curb prior to installing the unit. Refer to the Roof Curb Installation Instructions for proper curb installation. Curbing must be installed in compliance with the National Roofing Contractors Association Manual. Lower unit carefully onto roof mounting curb. While rigging the unit, the center of gravity will cause the condenser end to be lower than the supply air end. Bring condenser end of unit into alignment with the curb. With condenser end of the unit resting on curb member and using curb as a fulcrum, lower opposite end of the unit until entire unit is seated on the curb. When a rectangular cantilever curb is used, take care to center the unit. Check for proper alignment and orientation of supply and return openings with duct.

Roof Curb Installation

The roof curb is field-assembled and must be installed level (within 1/16" per foot side to side). A sub-base must be constructed by the contractor in applications involving pitched roofs. Gaskets are furnished and must be installed between the unit and curb. For proper installation, follow NRCA guidelines. In applications requiring post and rail installation, an I-beam securely mounted on multiple posts should support the unit on each side. In addition, the insulation on the underside of the unit should be protected from the elements. Applications in geographic areas subjected to seismic or hurricane conditions must meet code requirements for fastening the unit to the curb and the curb to the building structure. For further and more detailed information please refer to our Daikin Light Commercial Packaged unit IOD.



CORNER & CENTER-OF-GRAVITY LOCATIONS

Weights

Model	Shipping Weight (lbs)	Operating Weight (lbs)	Corner Weights (lbs)				Length X (in)	Width Y (in)
			A	B	C	D		
DFC090	1060	980	212	288	219	340	49	29
DFC102	1080	1000	214	296	227	343	49	29
DFC120	1139	1059	284	222	356	277	46	27
DFC150	1230	1150	193	410	226	400	46	30

For details on accessories refer to document **PM-LC-ACCESSORIES**

