

**Base Efficiency Gas/Electric
Belt-Drive Packaged Rooftop Unit
DBG Commercial
6 Nominal Tons
15 IEER / 11 EER**



*Complete warranty details available from your local distributor or manufacturer's representative or at www.daikincomfort.com or www.daikinac.com



Our Perfect Package:

Harnessing energy-efficient performance, proven technology, and enhanced comfort for life.

Since becoming the first company in Japan to manufacture packaged air conditioning systems, in 1951, Daikin has supported comfortable indoor living based on the strengths and technologies that have led to the growth of the company becoming one of the world's largest manufacturers of HVAC products, systems and refrigerants.

Today, as a comprehensive global manufacturer of HVAC products and systems, the Daikin brand is committed to being recognized as a truly global and excellent company capable of continually creating new value for its customers. The company plans to pursue sustainable growth and foster business operations that consistently harmonize with the goals of improving indoor comfort.

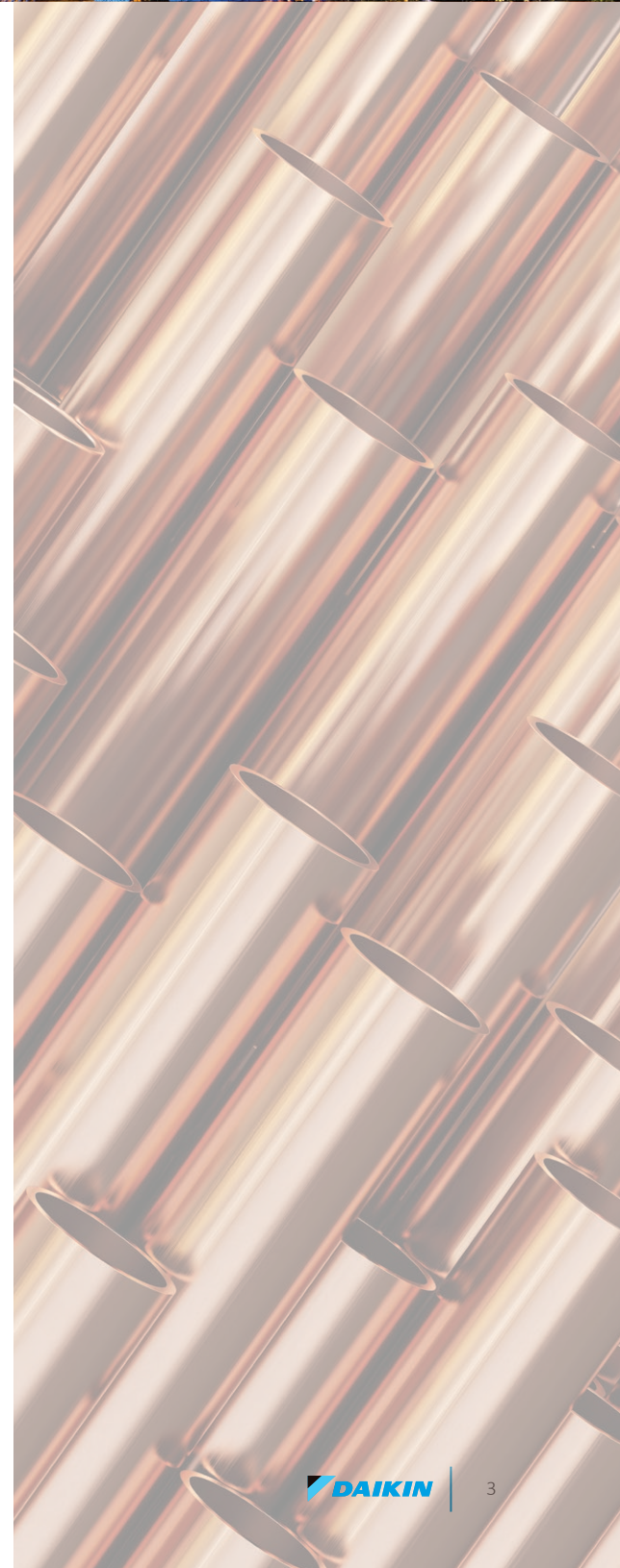
The group philosophy of the company includes:

- » Creating new value continuously for customers
- » Developing world leading energy-saving technology
- » Being a flexible and dynamic organization
- » Allowing employees to be the driving force for the success of the company
- » Fostering an atmosphere of best practices, boldness, and innovation
- » Thinking and acting globally

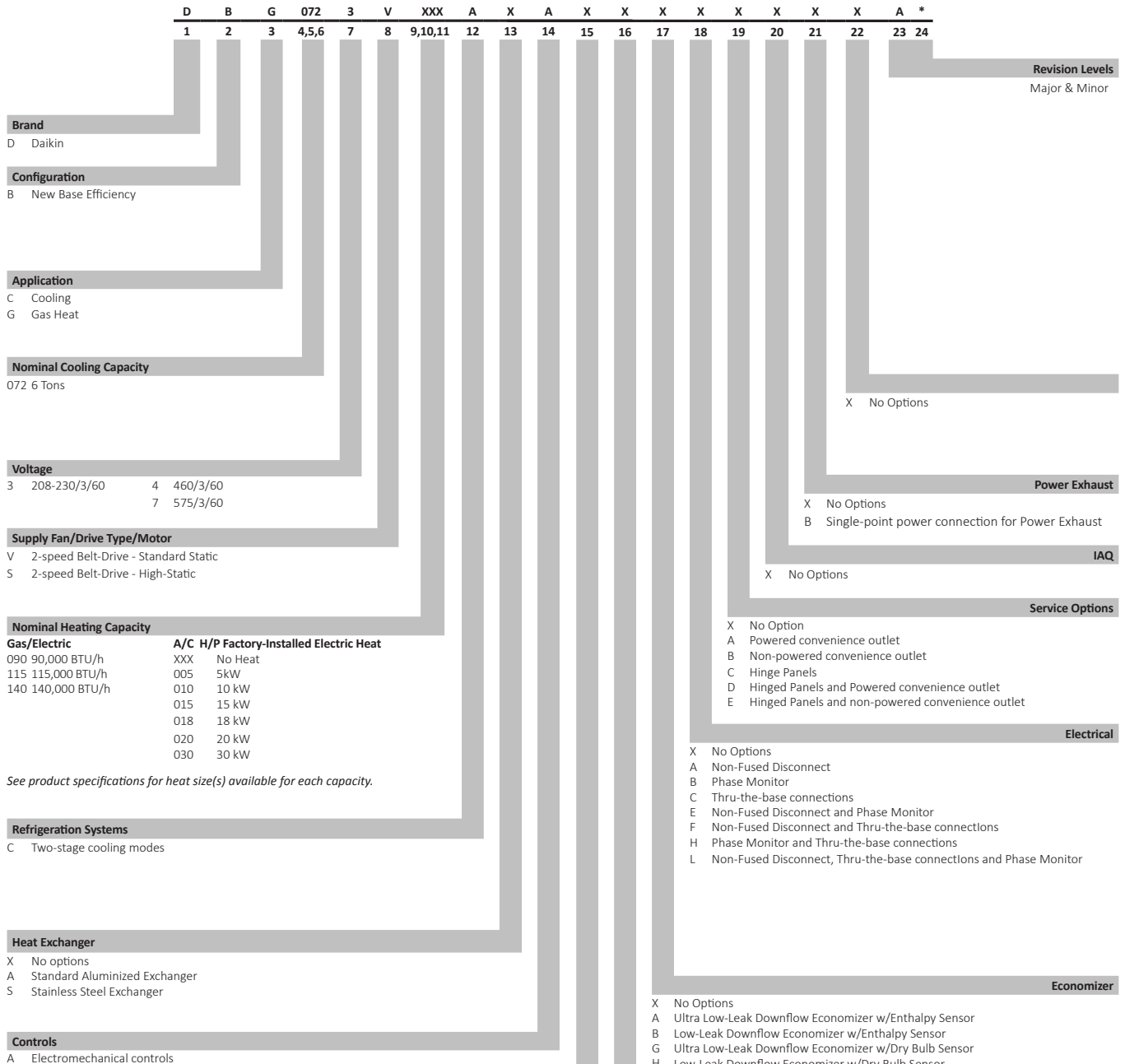


Contents

2	Introduction	2
4	Nomenclature	4
5	Features and Benefits	5
	Applications	8
	Serviceability	8
9	Product Specifications	9
	Coil Dimensions	12
	AHRI Ratings	12
	Sound Data	12
13	Expanding Cooling Data	13
15	Gas Heating Data	15
16	Air Flow	16
17	Static Pressure	17
18	Electrical Data	18
19	Wiring Diagrams	19
20	Dimensional Data	20
21	Electrical Connections	21
	Unit Clearances	21
22	Installation	22
	Weights	22
23	Accessories	23
25	Factory Installed Options	25
25	Field Installed Options	25
26	Factory and Field Installed Options	26



Nomenclature



G/E Stacking Models	
New Daikin 6 Ton	
MODEL NUMBER	CODE STRING
DBG0723VL00001S	DBG0723V090CAAXXXXXXXXXX
DBG0723VM00001S	DBG0723V115CAAXXXXXXXXXX
DBG0723VH00001S	DBG0723V140CAAXXXXXXXXXX
DBG0724VL00001S	DBG0724V090CAAXXXXXXXXXX
DBG0724VM00001S	DBG0724V115CAAXXXXXXXXXX
DBG0724VH00001S	DBG0724V140CAAXXXXXXXXXX
DBG0727VL00001S	DBG0727V090CAAXXXXXXXXXX
DBG0727VM00001S	DBG0727V115CAAXXXXXXXXXX
DBG0727VH00001S	DBG0727V140CAAXXXXXXXXXX
DBG0723SL00001F	DBG0723S090CAAXXXXXXXXXX
DBG0723SM00001F	DBG0723S115CAAXXXXXXXXXX
DBG0723SH00001F	DBG0723S140CAAXXXXXXXXXX
DBG0724SL00001F	DBG0724S090CAAXXXXXXXXXX
DBG0724SM00001F	DBG0724S115CAAXXXXXXXXXX
DBG0724SH00001F	DBG0724S140CAAXXXXXXXXXX
DBG0727SL00001F	DBG0727S090CAAXXXXXXXXXX
DBG0727SM00001F	DBG0727S115CAAXXXXXXXXXX
DBG0727SH00001F	DBG0727S140CAAXXXXXXXXXX

Features and Benefits

Daikin Packaged Rooftop Units (RTUs) are built to perform, with features and options that help provide low installation and operation costs, superior indoor air quality, efficient operation, and longevity.

Installation

Daikin Packaged units are designed with fast and easy installation in mind and are ideal for both new construction and retrofit projects. Our packaged rooftop units are built to be a direct replacement for most rooftop units on the field without the need of a curb adapter, to be able to replace the unit in a shorter time and at a lower cost (compared to the previous design).

Cabinet Construction

Daikin packaged rooftop units are made with high quality galvanized steel with a powder-paint finish to provide higher corrosion resistance.

- » Easy accessibility using our tool-less filter access.
- » The interior surface in the indoor air section is fully insulated to prevent sweating and thermal losses, using our foil face fiberglass insulation which also omits exposed filter fibers into the airstream.
- » 1" Raised flanged edges around the supply and return offer easy installation for the duct connections.

- » The full perimeter base rail is built using heavy gauge galvanized steel for a stronger structural installation, the base rails are a minimum of 3 ½" tall and include holes to allow for overhead rigging and lifting with forklifts.
- » Electrical lines and can be brought through the base of the unit or through the horizontal knockout for easy installation and accessibility on the field.

Compressor

High performance, low noise scroll compressors with stage control to match the required total load for efficient part load control

- » Resiliently factory-mounted on rubber grommets for vibration isolation
- » Refrigeration circuit includes both low- and high-pressure transducer, high pressure safety switch and temperature sensors for the suction and discharge.
- » Unit is factory charged with environmentally friendly R-410A refrigerant.
- » Two-stage scroll compressor for partial load applications.
- » Compressor location outside the condenser section to avoid air bypass.
- » Internal overload protection included with compressor.

Supply Fan

Indoor forward curb fans paired with belt-drive motors provides an easy in the field belt and pulley adjustment for airflow control.

- » Slide out forward curb fan for easy maintenance and replacement.
- » High-static drive options for application with high airflow/static requirements.
- » Each fan assembly is dynamically trim balanced at the factory before shipment for quick start-up and efficient operation.
- » Motor with thermal overload and phase failure protection is provided for motor long lasting operation.

Coils

All units use large face area outdoor coils. These coils are constructed with seamless copper tubes, mechanically bonded into aluminum plate-type fins with full drawn collars to completely cover the tubes for high operating efficiencies.

The indoor coil section is installed in a draw through configuration to provide better dehumidification.



Features and Benefits

- » Coils are factory pressure tested to ensure pressure and leak integrity.
- » Copper tube / aluminum fin coils on condenser and evaporator
- » 5mm Smart Coil Technology on all condenser coils for improved performance and reduced refrigerant load.

Controls and Wiring

Packaged rooftop units come equipped with a well-organized, large, easy to use weatherproof internal control box with easy access, for a better user experience.

- » Units are factory-wired with labeled color-coded wires and complete 24-volt Electromechanical controls package.
- » Units include single-point power entry as standard and also available with electric heat kits if selected.
- » Terminal blocks are provided as standard for easy installation and field power wiring.

Filtration

Unit provides a draw-through filter section as standard for better air quality and long lasting component maintenance.

- » Filters installed on the units are standard off the shelf sizes for easy replacement.
- » One or two size filter per unit for low maintenance cost and easy replacement.
- » Easy and fast filter service access.

Heating Section

Wide ranging of natural gas selections effectively handle most comfort heating demand from morning warm-up control to full heat, all available with Daikin's Wrinkle Bend heat exchanger technology.

Gas Furnace

ETL certified heating modules provide a custom match to specific design requirement.

- » Wrinkle Bend Technology available on all Daikin gas heat exchangers. The Wrinkle Bend Technology reduces the manufacturing stress that leads to defects and pinholes in the tubes at the same time as it increases the gas turbulence to amplify the heat transfer.
- » All 3-Phase models have a minimum 80% T.E. (Thermal Efficiency)
- » User has the flexibility to order heat exchanger tubes with 20 Gauge, G160, aluminized steel or stainless steel to meet your application needs.
- » The furnace has a tubular design with in-shot gas burner manifold and is installed downstream of the supply fan.

- » The module contains an induced draft fan that will maintain a negative pressure in the heat exchanger tubes for the removal of the flue gases to protect indoor air quality.
- » Each burner module provides flame roll-out safety protection switches and a high temperature limit switch for reliable operation.
- » Induced draft fan includes an airflow safety switch to prevent heating operation in the event of no airflow for occupant safety.
- » All burner assemblies are factory tested and adjusted prior to shipment.
- » Heating control is fully integrated into the unit's control system for quick start-up and reliable control.
- » Optional field installed LP kits are available for staged heating modules as well as high altitude kits.

Electrical

Units are completely wired and tested at the factory to provide faster commissioning and start-up.

- » Wiring complies with NEC requirements and all applicable UL standards.
- » For ease of use, wiring and electrical components are number coded and labeled according to the electrical diagram.
- » A 120 V GFI convenience receptacle requiring independent power supply for the receptacle is optional.
- » An optional unit powered 20 amp 115 V convenience receptacle, complete with factory mounted transformer, disconnect switch, and primary and secondary overload protection, eliminates the need to pull a separate 115 V power source.
- » Supply air fan, compressor, and condenser fan motor branch circuits have individual short circuit protection. Unit includes knockouts in the bottom of the main control panels for field wiring entrance.
- » A single-point power connection with power block is standard and a terminal board is provided for connecting low voltage control wiring.
- » For better serviceability an optional non-fused disconnect switch can be installed inside the control panel and operated by an externally mounted handle to disconnect the electrical power at the unit



Applications

Daikin Rooftop units are intended for comfort cooling applications in normal heating, ventilating, and air conditioning. Consult your local Daikin sales representative for applications involving operations at high ambient temperatures, high altitudes, non-cataloged voltages, or for job-specific unit selections that fall outside of the range of the catalog tables.

For proper operation, units should be rigged in accordance with instructions stated on the installation manual. Fire dampers, if required, must be installed in the ductwork according to local and/or state codes. No space is allowed for these dampers in the unit.

Follow factory check, test and start procedures explicitly to achieve satisfactory start-up and operation.

Most rooftop applications take advantage of the significant energy savings provided with economizer operation. When an economizer system is used, mechanical refrigeration is typically not required below an ambient temperature of 50°F.

Serviceability

Daikin packaged rooftop units are built with serviceability in mind, designed to make future maintenance and service on the unit easy and accessible.

- » Our packaged rooftop units offer a slide out blower to facilitate the access and removal of the fan.
- » Filter panels on the small chassis line offer tool-less access for easy maintenance.
- » Independent compressor outside of the air bypass to eliminate component blockage and provide easy access.
- » Labeled field connections, color coded and continuously marked wire to identify point-to-point component connections.
- » All 3 - 5 ton units are designed for convertible airflow orientation to serve downflow or horizontal applications. Every unit ships prepared to convert to horizontal orientation in the field if required.
- » Condenser clean out from inside-out.
- » Easy access to gas valves and control panel.



Model	DBG0723VL00001S	DBG0723VM00001S	DBG0723VH00001S	DBG0724VL00001S	DBG0724VM00001S	DBG0724VH00001S
COOLING CAPACITY						
Total BTU/H	69,000	69,000	69,000	69,000	69,000	69,000
IEER / EER	15.0 / 11.0	15.0 / 11.0	15.0 / 11.0	15.0 / 11.0	15.0 / 11.0	15.0 / 11.0
AHRI Reference #	205301568	205301568	205301568	205301568	205301568	205301568
HEATING CAPACITY						
Heat Range	Low	Medium	High	Low	Medium	High
No. of Burners	4	5	6	4	5	6
High Stage Input / Output (KBTU/H)	90.0 / 72.0	115.0 / 92.0	140.0 / 112.0	90.0 / 72.0	115.0 / 92.0	140.0 / 112.0
Low Stage Input / Output (KBTU/H)	67.5 / 54.0	86.3 / 69.0	105.0 / 84.0	67.5 / 54.0	86.3 / 69.0	105.0 / 84.0
Thermal Efficiency (T.E.)	80	80	80	80	80	80
Annual Fuel Utilization Efficiency (AFUE)	--	--	--	--	--	--
High Stage Temperature Rise Range (°F)	15 - 45	25 - 55	35 - 65	15 - 45	25 - 55	35 - 65
Low Stage Temperature Rise Range (°F)	10 - 40	20 - 50	30 - 60	10 - 40	20 - 50	30 - 60
EVAPORATOR MOTOR COIL						
Motor Type	2-speed Belt-Drive	2-speed Belt-Drive	2-speed Belt-Drive	2-speed Belt-Drive	2-speed Belt-Drive	2-speed Belt-Drive
External Static Pressure (ESP)	Standard	Standard	Standard	Standard	Standard	Standard
Wheel Dia. X Width	12x10	12x10	12x10	12x10	12x10	12x10
Indoor Nominal CFM	2130	2130	2130	2130	2130	2130
RPM	1740	1740	1740	1740	1740	1740
Indoor Horsepower	2.00	2.00	2.00	2.00	2.00	2.00
Filter Size (in)	14 X 20 X 2 (2) 20 X 20 X 2 (2)	14 X 20 X 2 (2) 20 X 20 X 2 (2)	14 X 20 X 2 (2) 20 X 20 X 2 (2)	14 X 20 X 2 (2) 20 X 20 X 2 (2)	14 X 20 X 2 (2) 20 X 20 X 2 (2)	14 X 20 X 2 (2) 20 X 20 X 2 (2)
Drain Size (NPT)	¾	¾	¾	¾	¾	¾
R-410A Refrigerant Charge (oz.)	154	154	154	154	154	154
Evaporator Coil Face Area (ft²)	9.2	9.2	9.2	9.2	9.2	9.2
Rows Deep/ Fins per Inch	4/16	4/16	4/16	4/16	4/16	4/16
CONDENSER FAN/COIL						
Quantity of Condenser Fan Motors	1	1	1	1	1	1
RPM (High/Low stage)	1122	1122	1122	1050	1050	1050
Outdoor Horsepower	0.33	0.33	0.33	0.33	0.33	0.33
Fan Diameter/ # Fan Blades	22 / 4	22 / 4	22 / 4	22 / 4	22 / 4	22 / 4
Face Area (ft²)	19.0	19.0	19.0	19.0	19.0	19.0
Rows Deep / Fins per Inch	2 / 28	2 / 28	2 / 28	2 / 28	2 / 28	2 / 28
COMPRESSOR						
Quantity / Type / Stages	1 / Scroll / 2	1 / Scroll / 2	1 / Scroll / 2	1 / Scroll / 2	1 / Scroll / 2	1 / Scroll / 2
Compressor RLA / LRA	17.6 / 136.0	17.6 / 136.0	17.6 / 136.0	8.5 / 66.1	8.5 / 66.1	8.5 / 66.1
ELECTRICAL DATA						
Voltage-Phase-Frequency	208/230-3-60	208/230-3-60	208/230-3-60	460-3-60	460-3-60	460-3-60
Indoor Blower FLA	6.0	6.0	6.0	2.9	2.9	2.9
Max External Static (In. W.C.)	1.8	1.8	1.8	1.8	1.8	1.8
Outdoor Fan FLA	2.0	2.0	2.0	0.85	0.85	0.85
Min. Circuit Ampacity ¹	30.0 / 30.0	30.0 / 30.0	30.0 / 30.0	14.3	14.3	14.3
Max. Overcurrent Protection (A) ²	45 / 45	45 / 45	45 / 45	20	20	20
Power Supply Conduit Hole Dia. (in)	1.125	1.125	1.125	1.125	1.125	1.125
Low-Voltage Conduit Hole Dia. (in)	0.5	0.5	0.5	0.5	0.5	0.5
OPERATING WEIGHT (LBS.)						
Operating Weight (lbs)	678	695	703	678	695	703
SHIPPING WEIGHT (LBS.)						
Ship Weight (lbs)	732	741	749	732	741	749

¹ Wire size should be determined in accordance with National Electrical Codes. Extensive wire runs will require larger wire sizes.

² May use fuses or HACR-type circuit breakers of the same size as noted.

Note: Always check the S&R plate for electrical data on the unit being installed.

Model	DBG0727VL00001S	DBG0727VM00001S	DBG0727VH00001S	DBG0723SL00001S	DBG0723SM00001S	DBG0723SH00001S
COOLING CAPACITY						
Total BTU/H	69,000	69,000	69,000	69,000	69,000	69,000
IEER / EER	15.0 / 11.0	15.0 / 11.0	15.0 / 11.0	15.0 / 11.0	15.0 / 11.0	15.0 / 11.0
AHRI Reference #	205301568	205301568	205301568	205301568	205301568	205301568
HEATING CAPACITY						
Heat Range	Low	Medium	High	Low	Medium	High
No. of Burners	4	5	6	4	5	6
High Stage Input / Output (KBTU/H)	90.0 / 72.0	115.0 / 92.0	140.0 / 112.0	90.0 / 72.0	115.0 / 92.0	140.0 / 112.0
Low Stage Input / Output (KBTU/H)	67.5 / 54.0	86.3 / 69.0	105.0 / 84.0	67.5 / 54.0	86.3 / 69.0	105.0 / 84.0
Thermal Efficiency (T.E.)	80	80	80	80	80	80
Annual Fuel Utilization Efficiency (AFUE)	--	--	--	--	--	--
High Stage Temperature Rise Range (°F)	15 - 45	25 - 55	35 - 65	15 - 45	25 - 55	35 - 65
Low Stage Temperature Rise Range (°F)	10 - 40	20 - 50	30 - 60	10 - 40	20 - 50	30 - 60
EVAPORATOR MOTOR COIL						
Motor Type	2-speed Belt-Drive	2-speed Belt-Drive	2-speed Belt-Drive	2-speed Belt-Drive	2-speed Belt-Drive	2-speed Belt-Drive
External Static Pressure (ESP)	Standard	Standard	Standard	Standard	Standard	Standard
Wheel Dia. X Width	12x10	12x10	12x10	12x10	12x10	12x10
Indoor Nominal CFM	2130	2130	2130	2130	2130	2130
RPM	1745	1745	1745	1740	1740	1740
Indoor Horsepower	2.00	2.00	2.00	2.00	2.00	2.00
Filter Size (in)	14 X 20 X 2 (2) 20 X 20 X 2 (2)	14 X 20 X 2 (2) 20 X 20 X 2 (2)	14 X 20 X 2 (2) 20 X 20 X 2 (2)	14 X 20 X 2 (2) 20 X 20 X 2 (2)	14 X 20 X 2 (2) 20 X 20 X 2 (2)	14 X 20 X 2 (2) 20 X 20 X 2 (2)
Drain Size (NPT)	¾	¾	¾	¾	¾	¾
R-410A Refrigerant Charge (oz.)	154	154	154	154	154	154
Evaporator Coil Face Area (ft²)	9.2	9.2	9.2	9.2	9.2	9.2
Rows Deep/ Fins per Inch	4/16	4/16	4/16	4/16	4/16	4/16
CONDENSER FAN/COIL						
Quantity of Condenser Fan Motors	1	1	1	1	1	1
RPM (High/Low stage)	1050	1050	1050	1122	1122	1122
Outdoor Horsepower	0.33	0.33	0.33	0.33	0.33	0.33
Fan Diameter/ # Fan Blades	22 / 4	22 / 4	22 / 4	22 / 4	22 / 4	22 / 4
Face Area (ft²)	19.0	19.0	19.0	19.0	19.0	19.0
Rows Deep / Fins per Inch	2 / 28	2 / 28	2 / 28	2 / 28	2 / 28	2 / 28
COMPRESSOR						
Quantity / Type / Stages	1 / Scroll / 2	1 / Scroll / 2	1 / Scroll / 2	1 / Scroll / 2	1 / Scroll / 2	1 / Scroll / 2
Compressor RLA / LRA	6.3 / 55.3	6.3 / 55.3	6.3 / 55.3	17.6 / 136.0	17.6 / 136.0	17.6 / 136.0
ELECTRICAL DATA						
Voltage-Phase-Frequency	575-3-60	575-3-60	575-3-60	208/230-3-60	208/230-3-60	208/230-3-60
Indoor Blower FLA	2.4	2.4	2.4	6.0	6.0	6.0
Max External Static (In. W.C.)	1.8	1.8	1.8	1.8	1.8	1.8
Outdoor Fan FLA	0.67	0.67	0.67	2.0	2.0	2.0
Min. Circuit Ampacity ¹	11.0	11.0	11.0	30.0 / 30.0	30.0 / 30.0	30.0 / 30.0
Max. Overcurrent Protection (A) ²	15	15	15	45 / 45	45 / 45	45 / 45
Power Supply Conduit Hole Dia. (in)	1.125	1.125	1.125	1.125	1.125	1.125
Low-Voltage Conduit Hole Dia. (in)	0.5	0.5	0.5	0.5	0.5	0.5
OPERATING WEIGHT (LBS.)						
Operating Weight (lbs)	678	695	703	678	695	703
SHIPPING WEIGHT (LBS.)						
Ship Weight (lbs)	732	741	749	732	741	749

¹ Wire size should be determined in accordance with National Electrical Codes. Extensive wire runs will require larger wire sizes.

² May use fuses or HACR-type circuit breakers of the same size as noted.

Note: Always check the S&R plate for electrical data on the unit being installed.

Model	DBG0724SL00001S	DBG0724SM00001S	DBG0724SH00001S	DBG0727SL00001S	DBG0727SM00001S	DBG0727SH00001S
COOLING CAPACITY						
Total BTU/H	69,000	69,000	69,000	69,000	69,000	69,000
IEER / EER	15.0 / 11.0	15.0 / 11.0	15.0 / 11.0	15.0 / 11.0	15.0 / 11.0	15.0 / 11.0
AHRI Reference #	205301568	205301568	205301568	205301568	205301568	205301568
HEATING CAPACITY						
Heat Range	Low	Medium	High	Low	Medium	High
No. of Burners	4	5	6	4	5	6
High Stage Input / Output (KBTU/H)	90.0 / 72.0	115.0 / 92.0	140.0 / 112.0	90.0 / 72.0	115.0 / 92.0	140.0 / 112.0
Low Stage Input / Output (KBTU/H)	67.5 / 54.0	86.3 / 69.0	105.0 / 84.0	67.5 / 54.0	86.3 / 69.0	105.0 / 84.0
Thermal Efficiency (T.E.)	80	80	80	80	80	80
Annual Fuel Utilization Efficiency (AFUE)	--	--	--	--	--	--
High Stage Temperature Rise Range (°F)	15 - 45	25 - 55	35 - 65	15 - 45	25 - 55	35 - 65
Low Stage Temperature Rise Range (°F)	10 - 40	20 - 50	30 - 60	10 - 40	20 - 50	30 - 60
EVAPORATOR MOTOR COIL						
Motor Type	2-speed Belt-Drive	2-speed Belt-Drive	2-speed Belt-Drive	2-speed Belt-Drive	2-speed Belt-Drive	2-speed Belt-Drive
External Static Pressure (ESP)	Standard	Standard	Standard	Standard	Standard	Standard
Wheel Dia. X Width	12x10	12x10	12x10	12x10	12x10	12x10
Indoor Nominal CFM	2130	2130	2130	2130	2130	2130
RPM	1740	1740	1740	1745	1745	1745
Indoor Horsepower	2.00	2.00	2.00	2.00	2.00	2.00
Filter Size (in)	14 X 20 X 2 (2) 20 X 20 X 2 (2)	14 X 20 X 2 (2) 20 X 20 X 2 (2)	14 X 20 X 2 (2) 20 X 20 X 2 (2)	14 X 20 X 2 (2) 20 X 20 X 2 (2)	14 X 20 X 2 (2) 20 X 20 X 2 (2)	14 X 20 X 2 (2) 20 X 20 X 2 (2)
Drain Size (NPT)	¾	¾	¾	¾	¾	¾
R-410A Refrigerant Charge (oz.)	154	154	154	154	154	154
Evaporator Coil Face Area (ft²)	9.2	9.2	9.2	9.2	9.2	9.2
Rows Deep/ Fins per Inch	4/16	4/16	4/16	4/16	4/16	4/16
CONDENSER FAN/COIL						
Quantity of Condenser Fan Motors	1	1	1	1	1	1
RPM (High/Low stage)	1050	1050	1050	1050	1050	1050
Outdoor Horsepower	0.33	0.33	0.33	0.33	0.33	0.33
Fan Diameter/ # Fan Blades	22 / 4	22 / 4	22 / 4	22 / 4	22 / 4	22 / 4
Face Area (ft²)	19.0	19.0	19.0	19.0	19.0	19.0
Rows Deep / Fins per Inch	2 / 28	2 / 28	2 / 28	2 / 28	2 / 28	2 / 28
COMPRESSOR						
Quantity / Type / Stages	1 / Scroll / 2	1 / Scroll / 2	1 / Scroll / 2	1 / Scroll / 2	1 / Scroll / 2	1 / Scroll / 2
Compressor RLA / LRA	8.5 / 66.1	8.5 / 66.1	8.5 / 66.1	6.3 / 55.3	6.3 / 55.3	6.3 / 55.3
ELECTRICAL DATA						
Voltage-Phase-Frequency	460-3-60	460-3-60	460-3-60	575-3-60	575-3-60	575-3-60
Indoor Blower FLA	2.9	2.9	2.9	2.4	2.4	2.4
Max External Static (In. W.C.)	1.8	1.8	1.8	1.8	1.8	1.8
Outdoor Fan FLA	0.85	0.85	0.85	0.67	0.67	0.67
Min. Circuit Ampacity ¹	14.3	14.3	14.3	11.0	11.0	11.0
Max. Overcurrent Protection (A) ²	20	20	20	15	15	15
Power Supply Conduit Hole Dia. (in)	1.125	1.125	1.125	1.125	1.125	1.125
Low-Voltage Conduit Hole Dia. (in)	0.5	0.5	0.5	0.5	0.5	0.5
OPERATING WEIGHT (LBS.)						
Operating Weight (lbs)	678	695	703	678	695	703
SHIPPING WEIGHT (LBS.)						
Ship Weight (lbs)	732	741	749	732	741	749

¹ Wire size should be determined in accordance with National Electrical Codes. Extensive wire runs will require larger wire sizes.

² May use fuses or HACR-type circuit breakers of the same size as noted.

Note: Always check the S&R plate for electrical data on the unit being installed.

Product Specifications

Coil Dimensions

Model	Tons	Fin height in.	Fin length in.
DBG	6	34.64	38.07

AHRI Ratings

MODEL	CAPACITY	EER	IEER
DBG0723/DBG0724/DBG0727	69000	11	15

Sound Data

Model	OUTDOOR SOUND (dB) AT 60 Hz								
	A-Weighted	63	125	250	500	1000	2000	4000	8000
72	81	82.7	80.6	80.5	77.7	75.2	72.1	69.7	67.2

Notes:

¹ Outdoor sound data is measured in accordance with AHRI standard 270.

² Measurements are expressed in terms of sound power. Do not compare these values to sound pressure values because sound pressure depends on specific environment factors which normally do not match individual applications. Sound power values are independent of the environment and therefore more accurate.

³ A-weighted sound ratings filter out high and very low frequencies, to better approximate the response of "average" human ear. A-weighted measurements for Daikin units are taken in accordance with AHRI standard 270.

IDB	Airflow	ID WB	Outdoor Ambient Temperature												TotalPower												
			65				75				85					95				105				115			
			59	63	67	71	59	63	67	71	59	63	67	71		59	63	67	71	59	63	67	71	59	63	67	71
70	1800	Capacity	70,007	70,998	73,095	-	69,378	70,370	72,467	-	67,545	68,537	70,634	-	64,392	65,383	67,480	-	60,537	61,529	63,626	-	57,018	58,010	60,107	-	-
		S/T	0.63	0.55	0.41	-	0.64	0.56	0.41	-	0.67	0.59	0.44	-	0.69	0.61	0.46	-	1.00	0.63	0.48	-	1.00	0.69	0.54	-	
		Evap dT	21.17	19.24	15.64	-	21.11	19.19	15.58	-	21.39	19.46	15.86	-	21.10	19.17	15.56	-	20.84	18.91	15.31	-	22.05	20.12	16.51	-	
		Pr Suc	122	123	126	-	129	131	134	-	136	137	140	-	141	143	146	-	147	148	151	-	153	155	158	-	
		Pr Dis	255	256	258	-	296	297	299	-	338	339	341	-	384	385	386	-	433	434	436	-	485	486	488	-	
	2128	TotalPower	4,460	4,455	4,447	-	4,980	4,976	4,967	-	5,561	5,557	5,548	-	6,189	6,185	6,176	-	6,892	6,888	6,879	-	7,716	7,712	7,703	-	-
		Capacity	71,122	72,113	74,210	-	70,493	71,485	73,582	-	68,660	69,652	71,749	-	65,506	66,498	68,595	-	61,652	62,644	64,741	-	58,133	59,125	61,222	-	
		S/T	0.72	0.64	0.49	-	0.73	0.64	0.50	-	0.75	0.67	0.52	-	1.00	0.69	0.55	-	1.00	0.72	0.57	-	1.00	0.77	0.62	-	
		Evap dT	19.69	17.76	14.16	-	19.64	17.71	14.11	-	19.91	17.98	14.38	-	19.62	17.69	14.09	-	19.36	17.43	13.83	-	20.57	18.64	15.04	-	
		Pr Suc	124	125	129	-	131	133	136	-	138	139	142	-	143	145	148	-	149	150	153	-	155	157	160	-	
2700	Pr Dis	258	259	261	-	298	300	301	-	341	342	344	-	386	387	389	-	435	436	438	-	488	489	491	-		
	TotalPower	4,494	4,490	4,481	-	5,014	5,010	5,001	-	5,595	5,591	5,582	-	6,224	6,219	6,211	-	6,926	6,922	6,913	-	7,750	7,746	7,737	-		
	Capacity	73,781	74,773	76,870	-	73,153	74,144	76,241	-	71,320	72,311	74,408	-	68,166	69,157	71,254	-	64,312	65,303	67,400	-	60,793	61,784	63,881	-		
	S/T	0.77	0.69	0.54	-	0.77	0.69	0.55	-	0.80	0.72	0.57	-	1.00	0.74	0.59	-	1.00	0.76	0.62	-	1.00	0.82	0.67	-		
	Evap dT	17.72	15.79	12.19	-	17.66	15.74	12.13	-	17.94	16.01	12.41	-	17.64	15.72	12.11	-	17.39	15.46	11.86	-	18.59	16.67	13.06	-		
75	1800	Capacity	70,048	71,039	73,136	76,340	69,419	70,411	72,508	75,711	67,586	68,578	70,675	73,878	64,432	65,424	67,521	70,724	60,578	61,570	63,667	66,870	57,059	58,051	60,148	63,351	-
		S/T	0.77	0.69	0.55	0.39	0.78	0.70	0.55	0.40	1.00	0.73	0.58	0.42	1.00	0.75	0.60	0.45	1.00	0.77	0.62	0.47	1.00	1.00	0.68	0.53	
		Evap dT	25.41	23.48	19.88	16.15	25.36	23.43	19.83	16.09	25.63	23.70	20.10	16.37	25.34	23.41	19.81	16.07	25.08	23.15	19.55	15.82	26.29	24.36	20.76	17.02	
		Pr Suc	122	123	126	132	129	131	134	139	136	137	140	145	141	143	146	151	147	148	151	156	153	155	158	163	
		Pr Dis	256	257	258	263	296	297	299	303	338	339	341	346	384	385	387	391	433	434	436	440	485	486	488	493	
	2128	TotalPower	4,456	4,452	4,443	4,483	4,977	4,972	4,964	5,003	5,557	5,553	5,544	5,584	6,186	6,182	6,173	6,213	6,888	6,884	6,875	6,915	7,712	7,708	7,699	7,739	
		Capacity	71,163	72,154	74,251	77,454	70,534	71,526	73,623	76,826	68,701	69,693	71,790	74,993	65,547	66,539	68,636	71,839	61,693	62,684	64,782	67,985	58,174	59,166	61,263	64,466	
		S/T	0.86	0.78	0.63	0.48	0.87	0.78	0.64	0.48	1.00	0.81	0.66	0.51	1.00	0.83	0.68	0.53	1.00	0.86	0.71	0.55	1.00	1.00	0.76	0.61	
		Evap dT	23.93	22.01	18.40	14.67	23.88	21.95	18.35	14.62	24.15	22.22	18.62	14.89	23.86	21.93	18.33	14.60	23.60	21.67	18.07	14.34	24.81	22.88	19.28	15.55	
		Pr Suc	124	125	129	134	131	133	136	141	138	139	142	148	143	145	148	153	149	150	153	159	156	157	160	165	
2700	Pr Dis	258	259	261	266	299	300	302	306	341	342	344	348	386	388	389	394	436	437	438	443	488	489	491	495		
	TotalPower	4,490	4,486	4,477	4,517	5,011	5,007	4,998	5,038	5,592	5,587	5,579	5,618	6,220	6,216	6,207	6,247	6,923	6,918	6,910	6,949	7,747	7,742	7,734	7,773		
	Capacity	73,822	74,814	76,911	80,114	73,194	74,185	76,282	79,486	71,361	72,352	74,449	77,652	68,207	69,198	71,295	74,499	64,352	65,344	67,441	70,644	60,834	61,825	63,922	67,126		
	S/T	0.91	0.83	0.68	0.52	1.00	0.83	0.69	0.53	1.00	0.86	0.71	0.56	1.00	0.88	0.73	0.58	1.00	1.00	0.76	0.60	1.00	1.00	0.81	0.66		
	Evap dT	21.96	20.03	16.43	12.70	21.91	19.98	16.38	12.64	22.18	20.25	16.65	12.91	21.89	19.96	16.36	12.62	21.63	19.70	16.10	12.37	22.84	20.91	17.31	13.57		
2700	Pr Suc	129	130	133	138	136	137	141	146	142	144	147	152	148	149	153	158	153	155	158	163	160	162	165	170		
	Pr Dis	263	264	266	270	303	304	306	311	346	347	348	353	391	392	394	398	440	441	443	448	493	494	495	500		
	TotalPower	4,536	4,532	4,523	4,563	5,056	5,052	5,043	5,083	5,637	5,633	5,624	5,664	6,266	6,262	6,253	6,292	6,968	6,964	6,955	6,995	7,792	7,788	7,779	7,819		
	Capacity	75,048	76,039	78,136	81,340	74,419	75,411	77,508	80,711	76,886	77,878	80,000	83,203	79,054	80,046	82,143	85,346	81,498	82,490	84,587	87,790	84,057	85,049	87,146	90,349		
	S/T	0.97	0.89	0.74	0.58	1.00	0.91	0.76	0.60	1.00	0.93	0.78	0.62	1.00	0.95	0.80	0.64	1.00	1.00	0.76	0.60	1.00	1.00	0.81	0.66		

IDB: Entering Indoor Dry Bulb Temperature
 High and low pressures are measured at the liquid and suction access fittings.
 Design Subcooling, 16 - 19 °F @ the liquid access fitting connection ARI 95 test conditions. Design Superheat 8 - 12 °F @ the compressor suction access fitting connection.
 Shaded area reflects ACCA (TVA) conditions
 kW = Total system power
 Amps: Unit amps (comp. + evaporator + condenser fan motors)

IDB		Airflow		Outdoor Ambient Temperature																																			
				65						75						85						95						105						115					
				59	63	67	71	75	79	59	63	67	71	75	79	59	63	67	71	75	79	59	63	67	71	75	79	59	63	67	71	75	79	59	63	67	71	75	79
		Entering Indoor Wet Bulb Temperature																																					
1800	IDWB	70,411	71,403	73,500	76,703	69,783	70,775	72,872	76,075	67,950	68,941	71,039	74,242	64,796	65,788	67,885	71,088	60,942	61,933	64,030	67,234	57,423	58,415	60,512	63,715	57,423	58,415	60,512	63,715	57,423	58,415	60,512	63,715						
	Capacity	0.91	0.83	0.68	0.53	1.00	0.83	0.69	0.53	1.00	0.86	0.71	0.56	1.00	0.88	0.74	0.58	1.00	1.00	0.76	0.61	1.00	1.00	0.82	0.66	1.00	1.00	0.82	0.66	1.00	1.00	0.82	0.66						
	S/T	29.68	27.75	24.15	20.42	29.63	27.70	24.10	20.36	29.90	27.97	24.37	20.64	29.61	27.68	24.08	20.34	29.35	27.42	23.82	20.09	30.56	28.63	25.03	21.29	30.56	28.63	25.03	21.29	30.56	28.63	25.03	21.29						
	Evap dT	122	124	127	132	130	131	134	140	136	138	141	146	142	143	146	152	147	149	152	157	154	155	158	164	154	155	158	164	154	155	158	164						
	Pr Suc	256	257	259	263	296	297	299	304	339	340	342	346	384	385	387	392	433	434	436	441	486	487	489	493	486	487	489	493	486	487	489	493						
Pr Dis	4,459	4,455	4,446	4,486	4,979	4,975	4,966	5,006	5,560	5,556	5,547	5,587	6,189	6,185	6,176	6,216	6,891	6,887	6,878	6,918	7,715	7,711	7,702	7,742	7,715	7,711	7,702	7,742	7,715	7,711	7,702	7,742							
TotalPower	71,526	72,518	74,615	77,818	70,898	71,889	73,987	77,190	69,065	70,056	72,153	75,357	65,911	66,903	69,000	72,203	62,057	63,048	65,145	68,348	58,538	59,529	61,626	64,830	58,538	59,529	61,626	64,830	58,538	59,529	61,626	64,830							
80	IDWB	28.20	26.28	22.67	18.94	28.15	26.22	22.62	18.89	28.42	26.49	22.89	19.16	28.13	26.20	22.60	18.87	27.87	25.95	22.34	18.61	29.08	27.15	23.55	19.82	29.08	27.15	23.55	19.82	29.08	27.15	23.55	19.82						
	Capacity	1.24	1.26	1.29	1.34	1.32	1.33	1.36	1.42	1.38	1.40	1.43	1.48	1.44	1.45	1.49	1.54	1.49	1.51	1.54	1.59	1.56	1.58	1.61	1.66	1.56	1.58	1.61	1.66	1.56	1.58	1.61	1.66						
	S/T	25.9	26.0	26.2	26.6	29.9	30.0	30.2	30.6	34.1	34.2	34.4	34.9	38.7	38.8	39.0	39.4	43.6	43.7	43.9	44.3	48.8	49.0	49.1	49.6	48.8	49.0	49.1	49.6	48.8	49.0	49.1	49.6						
	Evap dT	129	131	134	139	137	138	141	146	143	145	148	153	149	150	153	158	154	155	159	164	161	162	165	170	161	162	165	170	161	162	165	170						
	Pr Suc	263	264	266	271	304	305	307	311	346	347	349	353	392	393	394	399	441	442	444	448	493	494	496	500	493	494	496	500	493	494	496	500						
Pr Dis	4,539	4,534	4,526	4,565	5,059	5,055	5,046	5,086	5,640	5,636	5,627	5,667	6,268	6,264	6,255	6,295	6,971	6,967	6,958	6,998	7,795	7,791	7,782	7,822	7,795	7,791	7,782	7,822	7,795	7,791	7,782	7,822							
TotalPower	74,186	75,177	77,274	80,478	73,557	74,549	76,646	79,849	71,724	72,716	74,813	78,016	68,570	69,562	71,659	74,862	64,716	65,708	67,805	71,008	61,197	62,189	64,286	67,489	61,197	62,189	64,286	67,489	61,197	62,189	64,286	67,489							
2700	IDWB	26.23	24.30	20.70	16.97	26.18	24.25	20.65	16.91	26.45	24.52	20.92	17.19	26.16	24.23	20.63	16.89	25.90	23.97	20.37	16.64	27.11	25.18	21.58	17.84	27.11	25.18	21.58	17.84	27.11	25.18	21.58	17.84						
	Capacity	1.00	0.96	0.81	0.66	1.00	0.97	0.82	0.67	1.00	0.99	0.85	0.69	1.00	1.00	0.87	0.71	1.00	1.00	0.89	0.74	1.00	1.00	0.95	0.79	1.00	1.00	0.95	0.79	1.00	1.00	0.95	0.79						
	S/T	26.23	24.30	20.70	16.97	26.18	24.25	20.65	16.91	26.45	24.52	20.92	17.19	26.16	24.23	20.63	16.89	25.90	23.97	20.37	16.64	27.11	25.18	21.58	17.84	27.11	25.18	21.58	17.84	27.11	25.18	21.58	17.84						
	Evap dT	129	131	134	139	137	138	141	146	143	145	148	153	149	150	153	158	154	155	159	164	161	162	165	170	161	162	165	170	161	162	165	170						
	Pr Suc	263	264	266	271	304	305	307	311	346	347	349	353	392	393	394	399	441	442	444	448	493	494	496	500	493	494	496	500	493	494	496	500						
Pr Dis	4,539	4,534	4,526	4,565	5,059	5,055	5,046	5,086	5,640	5,636	5,627	5,667	6,268	6,264	6,255	6,295	6,971	6,967	6,958	6,998	7,795	7,791	7,782	7,822	7,795	7,791	7,782	7,822	7,795	7,791	7,782	7,822							
TotalPower	74,186	75,177	77,274	80,478	73,557	74,549	76,646	79,849	71,724	72,716	74,813	78,016	68,570	69,562	71,659	74,862	64,716	65,708	67,805	71,008	61,197	62,189	64,286	67,489	61,197	62,189	64,286	67,489	61,197	62,189	64,286	67,489							
85	IDWB	33.47	31.54	27.94	24.20	33.41	31.48	27.88	24.15	33.68	31.76	28.15	24.42	33.39	31.46	27.86	24.13	33.14	31.21	27.61	23.87	34.34	32.41	28.81	25.08	34.34	32.41	28.81	25.08	34.34	32.41	28.81	25.08						
	Capacity	1.24	1.26	1.29	1.34	1.32	1.33	1.36	1.41	1.38	1.40	1.43	1.48	1.44	1.45	1.49	1.54	1.49	1.51	1.54	1.59	1.56	1.58	1.61	1.66	1.56	1.58	1.61	1.66	1.56	1.58	1.61	1.66						
	S/T	25.7	25.8	26.0	26.5	29.8	29.9	30.0	30.5	34.0	34.1	34.3	34.7	38.5	38.7	38.8	39.3	43.5	43.6	43.7	44.2	48.7	48.8	49.0	49.4	48.7	48.8	49.0	49.4	48.7	48.8	49.0	49.4						
	Evap dT	126	128	131	136	134	135	138	144	140	142	145	150	146	147	150	156	151	153	156	161	158	159	162	168	158	159	162	168	158	159	162	168						
	Pr Suc	260	261	263	267	300	301	303	308	343	344	345	350	388	389	391	396	437	438	440	445	490	491	493	497	490	491	493	497	490	491	493	497						
Pr Dis	4,503	4,499	4,490	4,530	5,023	5,019	5,010	5,050	5,604	5,600	5,591	5,631	6,233	6,229	6,220	6,260	6,935	6,931	6,922	6,962	7,759	7,755	7,746	7,786	7,759	7,755	7,746	7,786	7,759	7,755	7,746	7,786							
TotalPower	72,709	73,701	75,798	79,001	72,081	73,072	75,169	78,373	70,248	71,239	73,336	76,539	67,094	68,085	70,182	73,386	63,239	64,231	66,328	69,531	59,721	60,712	62,809	66,013	59,721	60,712	62,809	66,013	59,721	60,712	62,809	66,013							
2128	IDWB	30.02	28.09	24.49	20.75	29.96	28.03	24.43	20.70	30.23	28.31	24.70	20.97	29.94	28.01	24.41	20.68	29.69	27.76	24.16	20.42	30.89	28.96	25.36	21.63	30.89	28.96	25.36	21.63	30.89	28.96	25.36	21.63						
	Capacity	1.00	1.00	0.92	0.77	1.00	1.00	0.93	0.78	1.00	1.00	0.96	0.80	1.00	1.00	0.98	0.82	1.00	1.00	0.95	0.80	1.00	1.00	0.95	0.80	1.00	1.00	0.95	0.80	1.00	1.00	0.95	0.80						
	S/T	30.02	28.09	24.49	20.75	29.96	28.03	24.43	20.70	30.23	28.31	24.70	20.97	29.94	28.01	24.41	20.68	29.69	27.76	24.16	20.42	30.89	28.96	25.36	21.63	30.89	28.96	25.36	21.63	30.89	28.96	25.36	21.63						
	Evap dT	131	132	136	141	138	140	143	148	145	146	149	155	150	152	155	160	156	157	160	166	162	164	167	172	162	164	167	172	162	164	167	172						
	Pr Suc	265	266	267	272	305	306	308	312	347	348	350	355	393	394	396	400	442	443	445	449	494	495	497	502	494	495	497	502	494	495	497	502						
Pr Dis	4,548	4,544	4,535	4,575	5,069	5,065	5,056	5,096	5,650	5,646	5,637	5,677	6,278	6,274	6,265	6,305	6,981	6,977	6,968	7,008	7,805	7,801	7,792	7,832	7,805	7,801	7,792	7,832	7,805	7,801	7,792	7,832							
TotalPower	75,369	76,360	78,457	81,660	74,740	75,732	77,829	81,032	72,907	73,899	75,996	79,199	69,753	70,745	72,842	76,045	65,899	66,890	68,987	72,191	62,380	63,372	65,469	68,672	62,380	63,372	65,469	68,672	62,380	63,372	65,469	68,672							
2700	IDWB	30.02	28.09	24.49	20.75	29.96	28.03	24.43	20.70	30.23	28.31	24.70	20.97	29.94	28.01	24.41	20.68	29.69	27.76	24.16	20.42	30.89	28.96	25.36	21.63	30.89	28.96	25.36	21.63	30.89	28.96	25.36	21.63						
	Capacity	1.00	1.00	0.92	0.77	1.00	1.00	0.93	0.78	1.00																													

Electrical Heater Data

Heating Rating Table - Natural Gas and Propane

Unit	GAS HEAT	STAGE 1 INPUT/ OUTPUT (MBH)	STAGE 2 INPUT/ OUTPUT (MBH)	TEMP RISE HIGH (°F)	TEMP RISE LOW (°F)	THERMAL EFFICIENCY (%)
DBG072*V	Low	90 / 72	67.5 / 54	15 - 45	10 - 40	80%
	Medium	115 / 92	86.25 / 69	25 - 55	20 - 50	80%
	High	140 / 112	105 / 84	35 - 65	30 - 60	80%
DBG072*S	Low	90 / 72	67.5 / 54	15 - 45	10 - 40	80%
	Medium	115 / 92	86.25 / 69	25 - 55	20 - 50	80%
	Medium	140 / 112	105 / 84	35 - 65	30 - 60	80%

Heat Exchanger and Burner Orifice Specifications

Unit	HIGH FIRE RATE BTU/HR	NUMBER OF BURNERS	NG ORIFICE	LP ORIFICE
DBG072*V	90,000	4	43	55
	115,000	5	43	55
	140,000	6	43	55
DBG072*S	90,000	4	43	55
	115,000	5	43	55
	140,000	6	43	55

Recommended Min-Max Airflow Range

Unit	HIGH FIRE RATE BTU/HR	HEATING MINIMUM SCFM	COOLING MINIMUM SCFM	MAXIMUM SCFM
DBG072*V	90,000	1500	1800	2700
	115,000	1550		
	140,000	1600		
DBG072*S	90,000	1500	1800	2700
	115,000	1550		
	140,000	1750		

DBG0723V Standard Belt-Drive Downshot

ESP, IN H ₂ O	TURNS OPEN																		
	0			1			2			3			4			5			
	CFM	RPM	BHP	CFM	RPM	BHP	CFM	RPM	BHP	CFM	RPM	BHP	CFM	RPM	BHP	CFM	RPM	BHP	
0.1	0.1	2754	1245	1.62	2596	1180	1.37	2425	1110	1.13	2270	1045	0.94	2110	980	0.76	1949	915	0.61
0.2	0.2	2689	1245	1.57	2527	1180	1.32	2351	1110	1.09	2191	1045	0.90	2026	980	0.73	1857	915	0.58
0.3	0.3	2623	1245	1.52	2456	1180	1.28	2275	1110	1.05	2109	1045	0.86	1937	980	0.69	-	-	-
0.4	0.4	2554	1245	1.48	2382	1180	1.24	2195	1110	1.00	2022	1045	0.82	1843	980	0.65	-	-	-
0.5	0.5	2483	1245	1.43	2305	1180	1.19	2112	1110	0.96	1932	1045	0.78	-	-	-	-	-	-
0.6	0.6	2409	1245	1.38	2226	1180	1.14	2025	1110	0.92	1836	1045	0.74	-	-	-	-	-	-
0.7	0.7	2333	1245	1.33	2143	1180	1.10	1933	1110	0.87	-	-	-	-	-	-	-	-	-
0.8	0.8	2253	1245	1.28	2055	1180	1.05	1835	1110	0.83	-	-	-	-	-	-	-	-	-

DBG0723S High-Static Belt-Drive Downshot

ESP, IN H ₂ O	TURNS OPEN																		
	0			1			2			3			4			5			
	CFM	RPM	BHP	CFM	RPM	BHP	CFM	RPM	BHP	CFM	RPM	BHP	CFM	RPM	BHP	CFM	RPM	BHP	
0.6	-	-	-	-	-	-	2579	1385	1.84	2457	1315	1.58	2318	1245	1.33	2172	1175	1.11	
0.7	-	-	-	-	-	-	2518	1385	1.79	2391	1315	1.53	2245	1245	1.28	2090	1175	1.06	
0.8	-	-	-	2575	1450	2.00	2456	1385	1.74	2322	1315	1.48	2168	1245	1.23	2004	1175	1.02	
0.9	-	-	-	2516	1450	1.95	2392	1385	1.69	2251	1315	1.43	2088	1245	1.19	1913	1175	0.97	
1.0	-	-	-	2455	1450	1.90	2325	1385	1.64	2177	1315	1.38	2005	1245	1.14	1817	1175	0.92	
1.1	-	-	-	2393	1450	1.85	2256	1385	1.59	2100	1315	1.33	1916	1245	1.09	-	-	-	
1.2	-	-	-	2329	1450	1.79	2185	1385	1.54	2019	1315	1.28	1823	1245	1.04	-	-	-	
1.3	-	-	-	2262	1450	1.74	2110	1385	1.48	1933	1315	1.22	-	-	-	-	-	-	
1.4	2359	1525	2.01	2193	1450	1.69	2032	1385	1.43	1843	1315	1.17	-	-	-	-	-	-	
1.5	2296	1525	1.96	2122	1450	1.63	1950	1385	1.37	-	-	-	-	-	-	-	-	-	
1.6	2230	1525	1.90	2047	1450	1.57	1864	1385	1.32	-	-	-	-	-	-	-	-	-	
1.7	2162	1525	1.84	1968	1450	1.52	-	-	-	-	-	-	-	-	-	-	-	-	
1.8	2091	1525	1.78	1885	1450	1.46	-	-	-	-	-	-	-	-	-	-	-	-	

¹ To operate below 0.6" H₂O external static pressure, motor and blower sheave must be changed to VL34 and AK59 respectively, or equivalents.

DBG0723V Standard Belt-Drive Horizontal

ESP, IN H ₂ O	TURNS OPEN																		
	0			1			2			3			4			5			
	CFM	RPM	BHP	CFM	RPM	BHP	CFM	RPM	BHP	CFM	RPM	BHP	CFM	RPM	BHP	CFM	RPM	BHP	
0.1	2732	1245	1.60	2570	1180	1.35	2394	1110	1.11	2236	1045	0.92	2073	980	0.75	1908	915	0.60	
0.2	2665	1245	1.55	2499	1180	1.31	2319	1110	1.07	2155	1045	0.88	1986	980	0.71	1814	915	0.56	
0.3	2597	1245	1.51	2426	1180	1.26	2240	1110	1.03	2071	1045	0.84	1895	980	0.67	-	-	-	
0.4	2526	1245	1.46	2350	1180	1.22	2159	1110	0.98	1982	1045	0.80	-	-	-	-	-	-	
0.5	2453	1245	1.41	2272	1180	1.17	2073	1110	0.94	1889	1045	0.76	-	-	-	-	-	-	
0.6	2378	1245	1.36	2190	1180	1.12	1984	1110	0.90	-	-	-	-	-	-	-	-	-	
0.7	2299	1245	1.31	2104	1180	1.08	1889	1110	0.85	-	-	-	-	-	-	-	-	-	
0.8	2218	1245	1.26	2014	1180	1.03	-	-	-	-	-	-	-	-	-	-	-	-	

DBG0723S High-Static Belt-Drive Horizontal

ESP, IN H ₂ O	TURNS OPEN																		
	0			1			2			3			4			5			
	CFM	RPM	BHP	CFM	RPM	BHP	CFM	RPM	BHP	CFM	RPM	BHP	CFM	RPM	BHP	CFM	RPM	BHP	
0.6	-	-	-	-	-	-	2558	1385	1.83	2432	1315	1.56	2288	1245	1.31	2137	1175	1.09	
0.7	-	-	-	-	-	-	2496	1385	1.77	2364	1315	1.51	2213	1245	1.26	2053	1175	1.04	
0.8	-	-	-	2556	1450	1.99	2432	1385	1.72	2294	1315	1.46	2134	1245	1.21	1964	1175	0.99	
0.9	-	-	-	2495	1450	1.93	2366	1385	1.67	2220	1315	1.41	2052	1245	1.16	1870	1175	0.95	
1.0	-	-	-	2433	1450	1.88	2298	1385	1.62	2144	1315	1.36	1966	1245	1.11	-	-	-	
1.1	-	-	-	2369	1450	1.83	2227	1385	1.57	2065	1315	1.31	1875	1245	1.06	-	-	-	
1.2	-	-	-	2303	1450	1.77	2154	1385	1.51	1981	1315	1.25	-	-	-	-	-	-	
1.3	-	-	-	2235	1450	1.72	2077	1385	1.46	1893	1315	1.20	-	-	-	-	-	-	
1.4	2336	1525	1.99	2164	1450	1.66	1997	1385	1.40	1800	1315	1.15	-	-	-	-	-	-	
1.5	2271	1525	1.93	2090	1450	1.61	1912	1385	1.35	-	-	-	-	-	-	-	-	-	
1.6	2203	1525	1.88	2013	1450	1.55	1823	1385	1.29	-	-	-	-	-	-	-	-	-	
1.7	2133	1525	1.82	1932	1450	1.49	-	-	-	-	-	-	-	-	-	-	-	-	
1.8	2060	1525	1.76	1846	1450	1.43	-	-	-	-	-	-	-	-	-	-	-	-	

¹ To operate below 0.6" H₂O external static pressure, motor and blower sheave must be changed to VL34 and AK59 respectively, or equivalents.

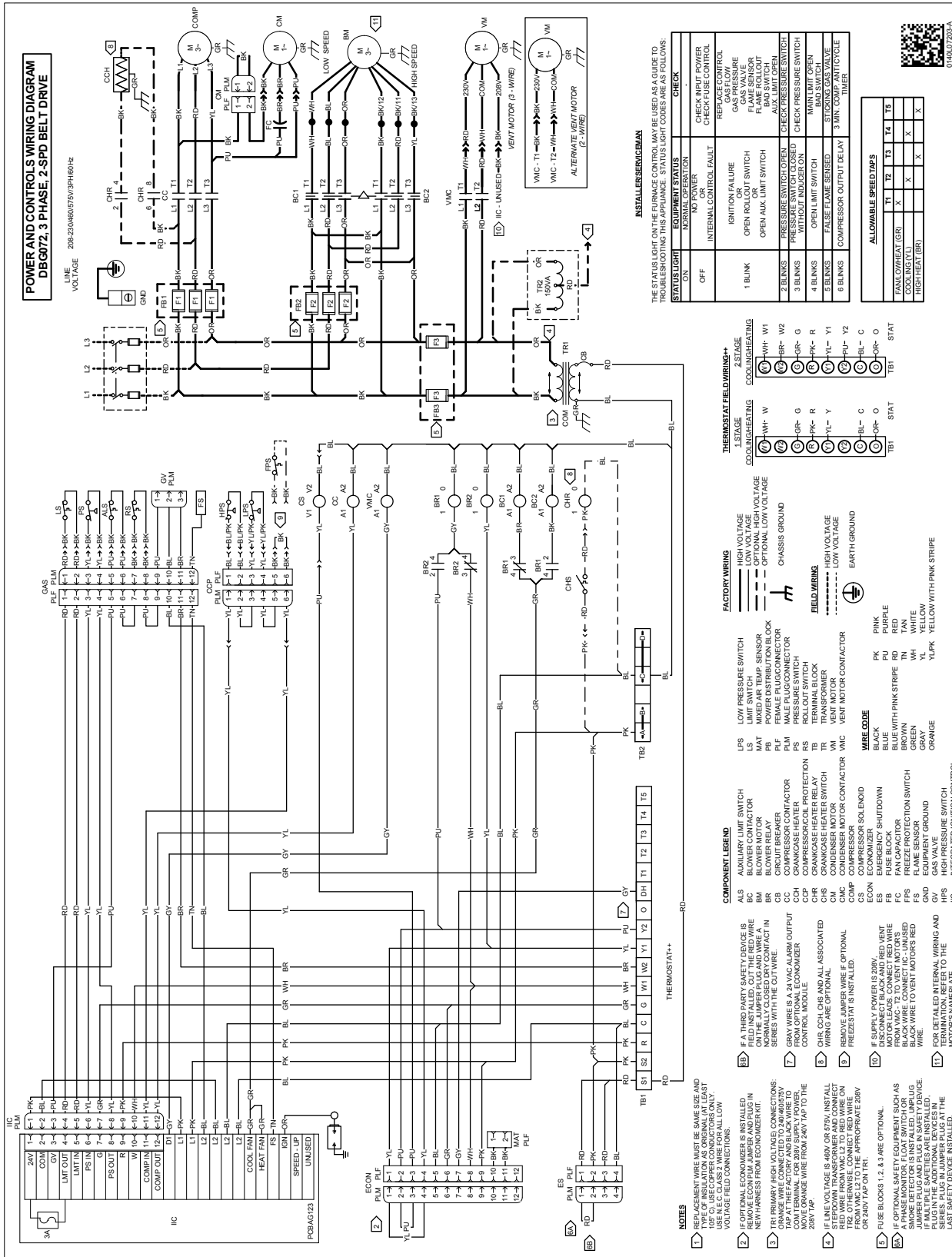
Static Pressure

6 TONS		
DOWNFLOW ECONOMIZER PRESSURE DROP		
Cabinet	CFM	SP in.wg.
6 Ton	1800	.13"
	2400	.22"
	3000	.33"

6 TONS		
HORIZONTAL ECONOMIZER PRESSURE DROP		
Cabinet	CFM	SP in.wg.
6 Ton	1800	.24"
	2400	.41"
	3000	.61"

Electrical Data

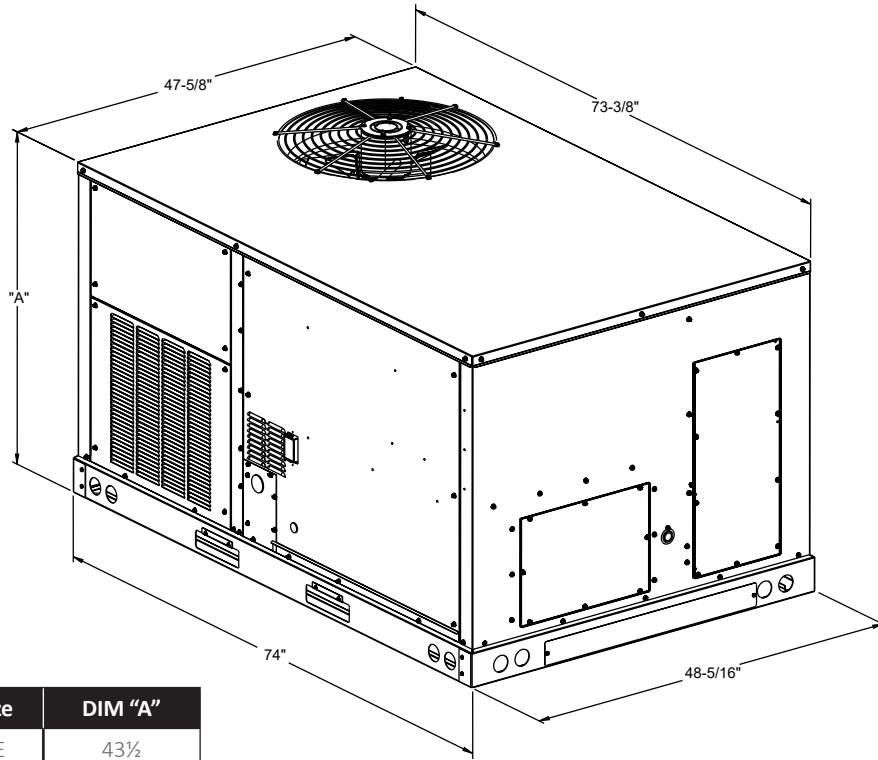
Model Number	Electrical Rating	Compressor			Outdoor Fan Motor			Indoor Fan Motor			Optional Powered Convenience Outlet	Optional Power Exhaust	Power Supply	
		QTY	RLA	LRA	QTY	HP	FLA	TYPE	HP	FLA	FLA	FLA	MCA	MOP
DBG0723S	208/230/3/60	1	17.6	136	1	0.33	2	2-speed Belt-Drive High-Static	2	6	-	-	30.0/30.0	45/45
											9.6/8.7	-	39.6/38.7	50/50
											-	1.7/1.5	31.7/31.5	45/45
											9.6/8.7	1.7/1.5	41.3/40.2	50/50
DBG0723V	208/230/3/60	1	17.6	136	1	0.33	2	2-speed Belt-Drive Standard Static	2	6	-	-	30.0/30.0	45/45
											9.6/8.7	-	39.6/38.7	50/50
											-	1.7/1.5	31.7/31.5	45/45
											9.6/8.7	1.7/1.5	41.3/40.2	50/50
DBG0724S	460/3/60	1	8.5	66.1	1	0.33	0.85	2-speed Belt-Drive High-Static	2	2.9	-	-	14.3	20
											4.3	-	18.6	25
											-	0.5	14.8	20
											4.3	0.5	19.1	25
DBG0724V	460/3/60	1	8.5	66.1	1	0.33	0.85	2-speed Belt-Drive Standard Static	2	2.9	-	-	14.3	20
											4.3	-	18.6	25
											-	0.5	14.8	20
											4.3	0.5	19.1	25
DBG0727S	575/3/60	1	6.4	55.3	1	0.33	0.67	2-speed Belt-Drive High-Static	2	2.4	-	-	11	15
											3.5	-	14.5	20
											-	0.6	11.6	15
											3.5	0.6	15.1	20
DBG0727V	575/3/60	1	6.4	55.3	1	0.33	0.67	2-speed Belt-Drive Standard Static	2	2.4	-	-	11	15
											3.5	-	14.5	20
											-	0.6	11.6	15
											3.5	0.6	15.1	20



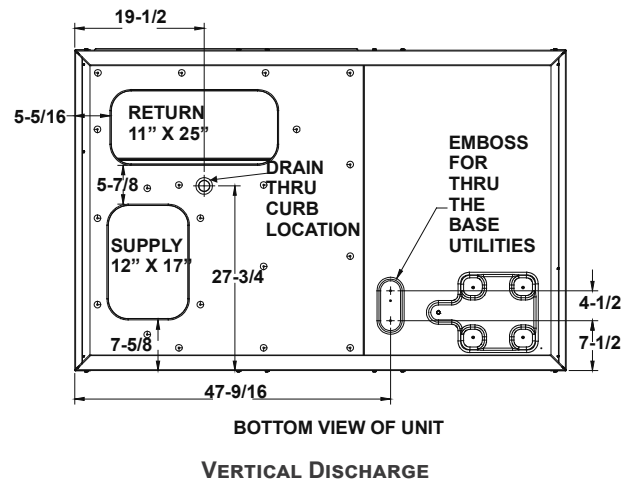
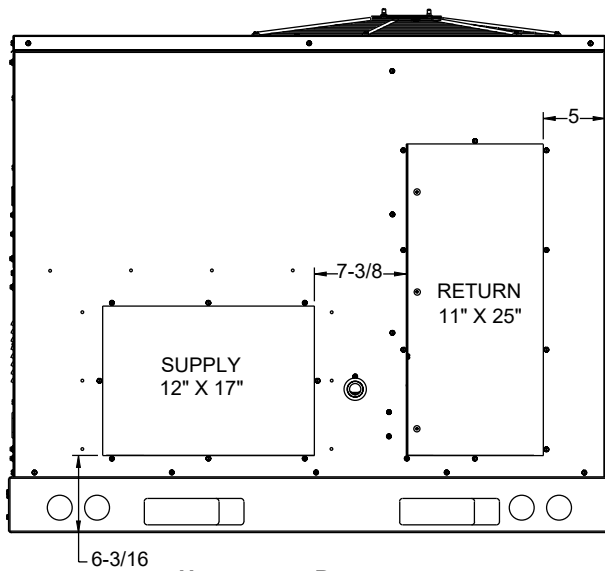
WARNING

High Voltage: Disconnect all power before servicing or installing this unit. Multiple power sources may be present. Failure to do so may cause property damage, personal injury, or death.

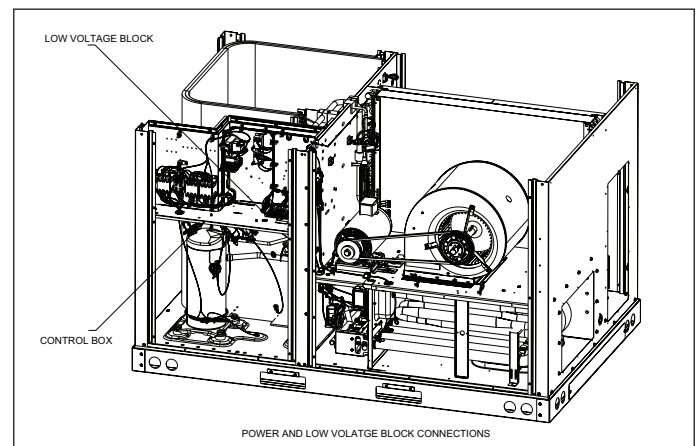
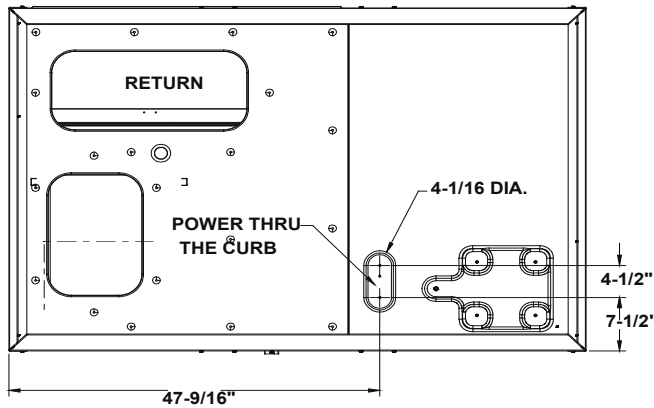
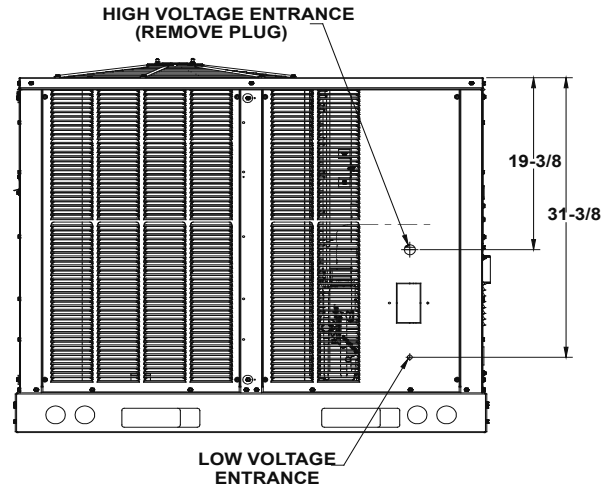
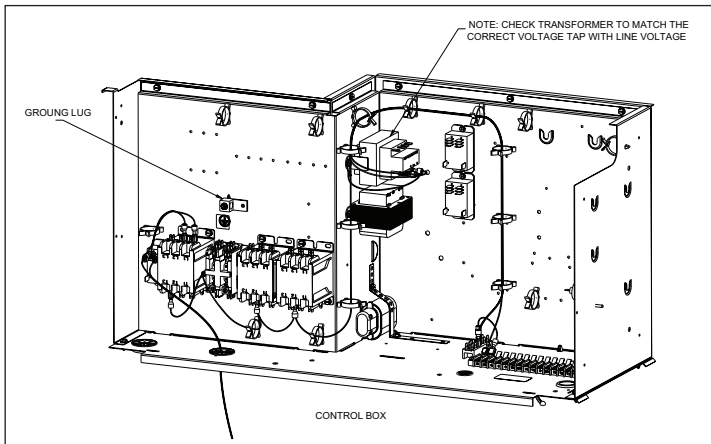
Wiring is subject to change. Always refer to the wiring diagram on the unit for the most up-to-date wiring.



Model Size	DIM "A"
6 Ton G/E	43½"



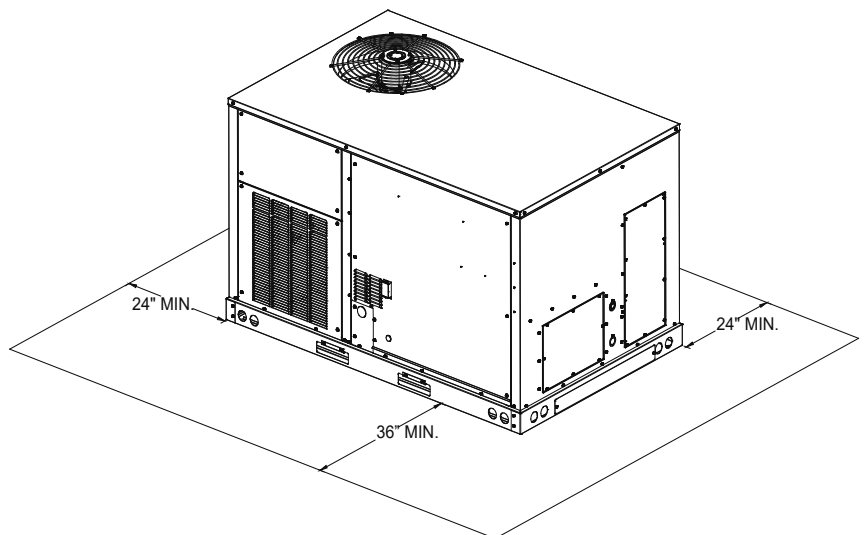
Electrical Connections



Unit Clearances

Service Clearance

Allow for recommended service clearances as shown in figure to the right. In situations that have multiple units, a 36" minimum clearance is required between the condenser coils. A clearance of 48" is recommended on all sides of the unit to allow service access and to ensure proper ventilation and condenser airflow. The top of the unit should be unobstructed. Provide a roof walkway along the sides of the unit for service and access to controls and components. Contact your Daikin sales representative for service requirements less than those recommended.



Unit Location

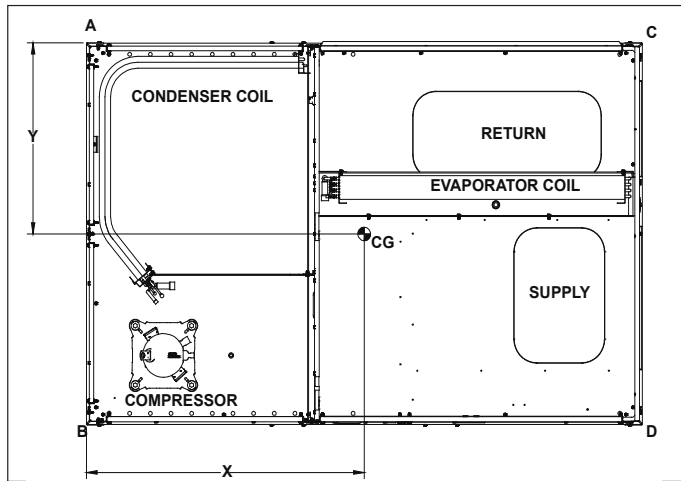
The structural engineer must verify that the roof has adequate support and ability to minimize deflection. Take extreme caution when using on a wooden roof structure. Unit condenser coils should be in a location that avoids any heated exhaust air.

Allow sufficient space around the unit for maintenance/service clearance. Consult your Daikin sales representative if available clearances do not meet minimum recommendations.

Where code considerations, such as the NEC, require extended clearances, these take precedence.

Provisions for forks have been included in the unit base frame. No other fork locations are approved.

- » Unit must be lifted by the four lifting holes located at the base frame corners.
- » Lifting cables should be attached to the unit with shackles.
- » The distance between the crane hook and the top of the unit must not be less than 60".
- » Two spreader bars must span over the unit to prevent damage to the cabinet by the lift cables. Spreader bars must be of sufficient length so that cables do not come in contact with the unit during transport. Remove wood struts mounted beneath unit base



CORNER & CENTER-OF-GRAVITY LOCATIONS

frame before setting unit on roof curb. These struts are intended to protect unit base frame from forklift damage. To remove the struts, extract the sheet metal retainers and pull the struts through the base of the unit. Refer to rigging label on the unit.

Important: If using bottom discharge with roof curb, ductwork should be attached to the curb prior to installing the unit. Refer to the Roof Curb Installation Instructions for proper curb installation. Curbing must be installed in compliance with the National Roofing Contractors Association Manual. Lower unit carefully onto roof mounting curb. While rigging the unit, the center of gravity will cause the condenser end to be lower than the supply air end. Bring condenser end of unit into alignment with the curb. With condenser end of the unit resting on curb member and using curb as a fulcrum, lower opposite end of the unit until entire unit is seated on the curb. When a rectangular cantilever curb is used, take care to center the unit. Check for proper alignment and orientation of supply and return openings with duct.

Roof Curb Installation

The roof curb is field-assembled and must be installed level (within 1/16" per foot side to side). A sub-base must be constructed by the contractor in applications involving pitched roofs. Gaskets are furnished and must be installed between the unit and curb. For proper installation, follow NRCA guidelines. In applications requiring post and rail installation, an I-beam securely mounted on multiple posts should support the unit on each side. In addition, the insulation on the underside of the unit should be protected from the elements. Applications in geographic areas subjected to seismic or hurricane conditions must meet code requirements for fastening the unit to the curb and the curb to the building structure. For further and more detailed information please refer to our Daikin Light Commercial Packaged unit IOD.

Weights

Model	Shipping Weight (lbs)	Operating Weight (lbs)	Corner Weights (lbs)				Length X (in)	Width Y (in)
			A	B	C	D		
DBG0723*H	749	703	144	222	147	190	35 $\frac{3}{8}$	20
DBG0723*M	741	695	144	225	141	185	34 $\frac{3}{8}$	19 $\frac{1}{2}$
DBG0723*L	732	686	142	220	145	179	34 $\frac{7}{10}$	20 $\frac{1}{2}$

Accessories

Field Accessory part number	Description	Fits Model Sizes	Field-Installed	Factory-Installed	Operating Weight (lbs)
Stainless Steel Heat Exchanger (Gas Only)					
	90,000 BTU, 4 burners	6 ton		√	
	115,000 BTU, 5 burners	6 ton		√	
	140,000 BTU, 6 burners	6 ton		√	
Duct Smoke Detectors					
	Duct Smoke Detectors - Return	3 - 6 ton		√	11
	Duct Smoke Detectors - Supply	3 - 6 ton		√	11
	Duct Smoke Detectors - Supply and Return	3 - 6 ton		√	11
Non-Fused Disconnect Switch					
	60 Amp Disconnect	3 - 6 ton		√	5
	100 Amp Disconnect	3 - 6 ton		√	5
	150 Amp Disconnect	3 - 6 ton		√	5
Convenience Outlets					
	Convenience Outlets - Powered, 208/230 V	3 - 6 ton		√	42
	Convenience Outlets - Powered, 460 V	3 - 6 ton		√	42
	Convenience Outlets - Powered, 575 V	3 - 6 ton		√	42
	Convenience Outlets - Non-Powered	3 - 6 ton		√	2
Hinged Access Panels					
	Hinged Access Panels, 43" cabinet (Gas only)	6 ton		√	
Economizer					
0270L01598	Horizontal Economizer Ultra Low-Leak (Title 24) JADE® Dry-Bulb, 43" cabinet	6 ton	√		88
0270L01757	Horizontal Economizer Ultra Low-Leak (Title 24) JADE Enthalpy Sensor, 43" cabinet	6 ton	√		88
0270L01753	Downflow Economizer Standard Low-Leak JADE Ethalpy Sensor	3-6 ton	√	√	65
0270L01755	Downflow Economizer Ultra Low-Leak (Title 24) JADE Ethalpy Sensor	3-6 ton	√	√	65
0270L01156	Downflow Economizer Standard Low-Leak JADE Dry-Bulb	3-6 ton	√	√	65
0270L01158	Downflow Economizer Ultra Low-Leak (Title 24) JADE Dry-Bulb	3-6 ton	√	√	65
Curbs and Restraint Clips					
0221L00014	Roof Curb 14" Tall, Knocked Down	3-6 ton	√		80
0221L00015	Roof Curb 24" Tall, Knocked Down	3-6 ton	√		109
0270L01261	Hold Down Bracket Kit	3-6 ton	√		8
0270L01250	Hold Down Bracket Kit for Daikin Roof curb	3-6 ton	√		8
0221L00019	Roof Curb 14" Tall Seismic with Hold Down Brackets, Knocked Down	3-6 ton	√		102
0221L00020	Roof Curb 14" Tall Wind-Rated Hurricane with Hold Down Brackets, Welded	3-6 ton	√		140
Concentrics					
0270L01602	Concentric Diffuser 24 x 48 with 16" Dia. collars	3-6 ton	√		32
0270L01603	Concentric Diffuser 24 x 48 with 18" Dia. collars	3-6 ton	√		35
0270L01335	Concentric Duct Adaptor Kit for 16" Dia. Duct	3-6 ton	√		28
0270L01338	Concentric Duct Adaptor Kit for 18" Dia. Duct	3-6 ton	√		28
Damper					
0270L01165	2 Position Motorized Damper	3-6 ton	√		40
0270L01166	Manual Outdoor Air Damper	3-6 ton	√		24
Flue Extensions (Gas only)					
HEFLUE048060	Flue Extension, 43" cabinet (Gas only)	6 ton	√		6
Hail Guard Kits					
HAILGD048060HE	Condenser Coil Hail Guards, 43" cabinet	6 ton	√	√	

Accessories availability may vary.

Accessories

Field Accessory part number	Description	Fits Model Sizes	Field-Installed	Factory-Installed	Operating Weight (lbs)
Crankcase Heater Kits					
HECH4860230	Crankcase heater Kit 208/230 V	4-6 ton	√		1
HECH4860460	Crankcase heater Kit 460 V	4-6 ton	√		1
HECH4860575	Crankcase heater Kit 575 V	4-6 ton	√		1
High-Efficiency Filters					
O16L00268	High-Efficiency MERV 8 Air Filter Kit- 14x20x2 (qty 2)	6 ton	√		4
O16L00270	High-Efficiency MERV 8 Air Filter Kit- 20x20x2 (qty 2)	6 ton	√		4
O16L00204	High-Efficiency MERV 13 Air Filter Kit- 14x20x2 (qty 2)	6 ton	√		4
O16L00201	High-Efficiency MERV 13 Air Filter Kit- 20x20x2 (qty 2)	6 ton	√		4
Misc Accessories					
LPHE-036072	Propane Conversion Kit (Gas only)	3-6 ton	√		1
HAKT036150	High Altitude Kit (Gas only)	3-6 ton	√		1
TTBCKHE01	Through the Base Gas/Electrical	3-6 ton	√	√	1
3PMKP3	Phase Monitor Kit	3-6 ton	√	√	2
O270L01232	Burglar bars Inserts	3-6 ton	√		18
Power Exhaust					
O270L01167	Power Exhaust Prop Downflow Economizer, 230 V	3-6 ton	√		57
O270L01170	Power Exhaust Prop Horizontal Economizer, 230 V	3-6 ton	√		47
O270L01171	Power Exhaust Prop Horizontal Economizer, 460 V	3-6 ton	√		57
O270L01168	Power Exhaust Prop Downflow Economizer, 460 V	3-6 ton	√		47
Controls, Thermostats and Sensors					
DT4272C	Comm Touch Digital Stat w/ Wi-Fi 4h/2c	3-25 ton	√		1
DT4273C	Comm Touch Digital Stat w/ Wi-Fi & Humidity Control 4h/2cc	3-25 ton	√		1
PSPAC-WS	Remote indoor sensor	3-25 ton	√		1
250803400	AppStat™ RTU 2H/2C Econ	3-25 ton	√		1
250803600	AppStat™ HPU 3H/2C Econ (Heat Pump)	3-25 ton	√		1
D4271C	4h/2c Commercial 7day Programmable Wi-Fi Capable thermostat	3-25 ton	√		1
D4272C	4h/2c Commercial 7day Programmable Wi-Fi Capable Hum/dehum thermostat	3-25 ton	√		1
C7232A1024	CO ₂ Sensor (Wall Mtd)	3-25 ton	√		1
C7232B1022	CO ₂ Sensor (Duct Mtd)	3-25 ton	√		1
D2270C	Mini Wi-Fi Thermostat	3-25 ton	√		1
TSTATD2152-2	Value Series 2h/1c 5+2 prgm (Heat Pump)	3-25 ton	√		1
TSTATD2100-2	Value Series 2h/1c No prgm (Heat Pump)	3-25 ton	√		1
TSTATD1100-2	Value Series 1h/1c No prgm	3-25 ton	√		1
TSTATD1152-2	Value Series 1h/1c 5+2 prgm	3-25 ton	√		1
PSPAC-AW	Add-A-Wire	3-25 ton	√		1
PSPAC-2W	2-Wire Kit	3-25 ton	√		1
PSPAC-OS	Wired Indoor / Outdoor Remote Sensor	3-25 ton	√		1
PSPAC-DS	Wired Duct Sensor	3-25 ton	√		1
PSPAC-WFMS	Wireless Wi-Fi Mini Sensor	3-25 ton	√		1
PSPAC-LR	Lock Ring for Premium Commercial Thermostats	3-25 ton	√		1
PSPAC-PWF	Wi-Fi Module	3-25 ton	√		1
PSPAC-WP	Wall Plate- Premium & Value Series	3-25 ton	√		1
PSPAC-WPT	Wall Plate Color Touch Screen	3-25 ton	√		1
PSPAC-WPM-S	Wall Plate Premium Mini- Small	3-25 ton	√		1
PSPAC-WPM-M	Wall Plate Premium Mini- Medium	3-25 ton	√		1
PSPAC-WPM-L	Wall Plate Premium Mini- Large	3-25 ton	√		1
C7400S1000	Differential Enthalpy Sensor	3-25 ton	√		1
D4120	Smoke Detector- Duct Mounted	3-25 ton	√		1
D4120W	Smoke Detector- Watertight	3-25 ton	√		1

Note: Where multiple variations are available, the heaviest combination is listed.
Accessories availability may vary.

Factory Installed Options

- » **Non-Powered Convenience Outlet:** A 120V, 15A, GFCI outlet can be installed in the unit making it easier for technicians to service other units once an electrician runs power to the outlet. Outlet shall be factory-installed and internally mounted with easily accessible 120-v female receptacle. Transformer not included for this option. Outlet shall include a field-installed “While-in-Use” cover.
- » **High-Static Kit:** Allows for operation in higher static applications.
- » **Powered Convenience Outlet:** A 120V, 15A, GFCI outlet can be powered with a step-transformer built into the unit. For use when the unit is not running. When a factory-installed powered convenience outlet is installed in the equipment, the unit MCA (Min. Circuit Ampacity) will increase by 7.5A for 208/230V units; increase by 3.75A for 460V units; and by 3A for 575V units. The MOP (Max. Overcurrent Protection) device must be sized accordingly. Outlet shall be powered from main line power to the rooftop unit. Outlet shall include a field-installed “While-in-Use” cover.
- » **Stainless-Steel Heat Exchanger (Gas/Electric units only):** A tubular heat exchanger made of 409-type stainless steel can be installed in the unit.
- » **Return Air and/or Supply Air Smoke Detectors:** Return air and/or supply air smoke detectors can be installed in the unit. To safely identify the presence of smoke inside the air conditioning system and shutdown the blower to prevent the smoke to disperse into different zones.
- » **Disconnect Switch (non-fused):** A disconnect switch can be installed in the unit with factory wiring complete from the switch to the unit. Please note that for air conditioner and heat pump units, the appropriate electric heat kit must be ordered along with the disconnect switch (non-fused) to be factory-installed. For models with a powered convenience outlet option and a disconnect switch (non-fused) option, the power to the powered convenience outlet will be shut off when the disconnect switch (non-fused) is in the off position. National Electric Code (NEC) and UL approved non-fused switch shall provide unit power shutoff. The switch shall be accessible from outside of the unit and provide local shutdown and lockout capability.
- » **Hinged Access Panels:** Allows access to unit’s major components. Combined with latches for easy access to control box, compressor, filters and blower motor.
- » **Through-the-base electrical connection:** Allows an easy and fast field installation through the unit base pan.
- » **Through-the-base gas utility connection:** Allows an easy and fast field installation through the unit base pan.
- » **Electromechanical Controls:** Basic controls that include terminal block for unit connectivity to T-Stat.

Field Installed Options

- » **Manual Fresh Air Damper:** Manual damper package shall consist of damper, air inlet screen, and rain hood which can be preset to admit up to 25% outdoor air for year round ventilation.
- » **Motorized Fresh Air Damper:** A two-position damper with rain hood and screen provides up to 50% outside air when the indoor fan starts and closes when the indoor fan shuts down. Consist of actuator, damper, air inlet screen, and rain hood. Damper shall close upon indoor (evaporator) fan shutoff and/or loss of power. The damper actuator shall plug into the rooftop unit’s wiring harness plug. No hard wiring shall be required.
- » **Power Exhaust:** Power exhaust shall be used in conjunction with an integrated economizer. This accessory exhausts return air and may be used in either downflow or horizontal (duct-mounted) applications. Horizontal power exhaust shall be mounted in return ductwork. Power exhaust shall be controlled by economizer controller operation. Exhaust fans shall be energized when dampers open past the 0-100% adjustable setpoint on the economizer control.
- » **Horizontal Economizer:** Fully modulating between 0 and 100%, contain seals that meet ASHRAE 90.1 requirements. Includes motor and dampers, minimum position settings, preset linkage, wiring harness with plug, mixed air temperature sensor, and enthalpy control. An optional duct-mounted barometric relief damper is available. An optional return enthalpy sensor is available to provide comparative or differential enthalpy control. Damper blades shall be galvanized steel with composite gears. Plastic or composite blades on intake or return shall not be acceptable. Standard leak rate shall be equipped with dampers not to exceed 2% leakage at 1 in. wg pressure differential. Ultra Low Leak design meets California Title 24 section 140.4 and ASHRAE 90.1 requirements for 4 cfm per sq.ft. on the outside air dampers and 10 cfm per sq. ft. on the return dampers. Shall be designed to close damper(s) during loss-of-power situations with spring return built into motor. Economizer controller shall accept a 2-10 Vdc CO₂ sensor input for IAQ/DCV control. In this mode, dampers shall modulate the outdoor air damper to provide ventilation based on the sensor input.
- » Economizer controller shall be Honeywell® JADE® W7220 that provides:
 - 2-line LCD interface screen for setup, configuration and troubleshooting.
 - On-board Fault Detection and Diagnostics (FDD) that senses and alerts when the economizer is not operating properly, per California Title 24.
 - Sensor failure loss of communication identification
 - Automatic sensor detection
 - Capabilities for use with multiple-speed indoor fan systems
 - Utilize digital sensors: Dry bulb and Enthalpy
 - Economizer controller shall provide indications when in free cooling mode, in the DCV mode, or the exhaust fan contact is closed.

- » **High Altitude Kit (Gas/Electric units):** Can be used in gas/electric units operating at higher altitudes.
- » **Barometric relief (only when economizer is installed):** Allows air pressure relief inside the building to maintain a constant interior pressure.
- » **LP Conversion Kit (Gas/Electric units):** Allows gas/electric package units to use propane fuel.
- » **Roof curbs:** Full perimeter roof curb with exhaust capability providing separate air streams for energy recovery from the exhaust air without supply air contamination. Two different heights 14" and 24", allows proper installation and structure stability. Formed galvanized steel with wood nailer strip and shall be capable of supporting entire unit weight.
- » **Concentric duct kits:** Designed to provide a single-point air distribution system with the added benefit of having directional air control.
- » **Restraint mounting clips:** Allows for installation reinforcement for Hurricane and/or seismic events.
- » **CO₂ sensor:** Sensor designed to alarm the system when the CO₂ levels are outside safe parameters.
- » **Burglar Bar Sleeves:** Designed to prevent the access thru the return or supply ducting inside the unit.
- » **Downflow square to round adapter 18":** Installed into a recessed portion of the roof curb, the concentric duct adaptor changes the orientation of the ductwork from square to round for applications utilizing that type of ducting system.
- » **Side discharge concentric diffuser system:** The Concentric diffuser system is an all in one supply and return duct free arrangement for RTU systems. This system comes with two separate duct connections, one for a supply and another for a return.
- » **Remote indoor sensor:** Remote sensor to monitor the temperature on zones away from the main thermostat.
- » **Drain pan overflow switch:** Allows the controls to detect and send an alarm when there is an overflow on the drain pan.
- » **Freeze stat:** Temperature sensing device that monitors the heat exchange to prevent the coil from freezing.

Factory and Field Installed Options

- » **Downflow Economizer:** Fully modulating between 0 and 100%, contain seals that meet ASHRAE 90.1 requirements. Includes motor and dampers, minimum position settings, a preset linkage, a wiring harness with plug, a mixed air temperature sensor, enthalpy control, and a barometric relief damper. An optional return enthalpy sensor is available to provide comparative or differential enthalpy control. Damper blades shall be galvanized steel with composite gears. Plastic or composite blades on intake or return shall not be acceptable. Standard leak rate shall be equipped with dampers not to exceed 2% leakage at 1 in. wg pressure differential. Ultra Low Leak design meets California Title 24 section 140.4 and ASHRAE 90.1 requirements for 4 cfm per sq.ft. on the outside air dampers and 10 cfm per sq. ft. on the return dampers. Shall be designed to close damper(s) during loss-of-power situations with spring return built into motor. Economizer controller shall accept a 2-10 Vdc CO₂ sensor input for IAQ/DCV control. In this mode, dampers shall modulate the outdoor air damper to provide ventilation based on the sensor input. Economizer controller shall be Honeywell® W7220 that provides:
 - » Economizer controller shall be *Honeywell W7220* that provides:
 - 2-line LCD interface screen for setup, configuration and troubleshooting.
 - On-board Fault Detection and Diagnostics (FDD) that senses and alerts when the economizer is not operating properly, per California Title 24.
 - Sensor failure loss of communication identification
 - Automatic sensor detection
 - Capabilities for use with multiple-speed indoor fan systems
 - Utilize digital sensors: Dry bulb and Enthalpy
 - Economizer controller shall provide indications when in free cooling mode, in the DCV mode, or the exhaust fan contact is closed.
 - » **Low Ambient Control:** Allows cooling operation down to 35°F outdoor ambient temperature for 3-6 ton units.
 - » **Phase Monitor:** Phase monitor (3-Phase only) shall provide protection for motors and compressors against problems caused by phase loss, phase reversal and phase unbalance. Phase monitor is equipped with an LED that provides an ON or FAULT indicator.
 - » **Condenser Hail Guards:** Louvered metal guards help protect the condenser coil from hail and debris; available as a field-installed options on 3-12½ ton units.

