

**COOLING CAPACITY: 35,000 - 56,500 BTU/H**  
**HEATING CAPACITY: 33,600 - 56,400 BTU/H**

**HIGH-EFFICIENCY**  
**SPLIT SYSTEM HEAT PUMP**  
**UP TO 18 SEER & 9.5 HSPF**



### Contents

Nomenclature.....	2
Product Specifications.....	3
Expanded Cooling Data.....	4
Expanded Heating Data.....	16
AHRI Ratings.....	18
Wiring Diagram.....	23
Dimensions.....	24
Accessories.....	24

### Standard Features

- Two-Stage Copeland® UltraTech scroll compressor
- High-density foam compressor sound blanket
- ComfortNet™ Communications System compatible
- Expanded ComfortAlert™ diagnostics built in
- Simple low-voltage wiring to outdoor unit in communicating mode
- Diagnostic indicator lights and storage of six fault codes
- Color-coded terminal strip for non-communicating set-up
- SmartShift® technology with short-cycle protection to ensure quiet, reliable defrost
- Factory-installed bi-flow liquid-line filter drier
- Factory-installed suction-line accumulator
- Factory-installed compressor crankcase heater
- Factory-installed high-capacity muffler
- Factory-installed coil and ambient temperature sensors
- Fully charged for 15' of tubing length
- Quiet ECM condenser fan motor
- AHRI Certified; ETL Listed

### Cabinet Features

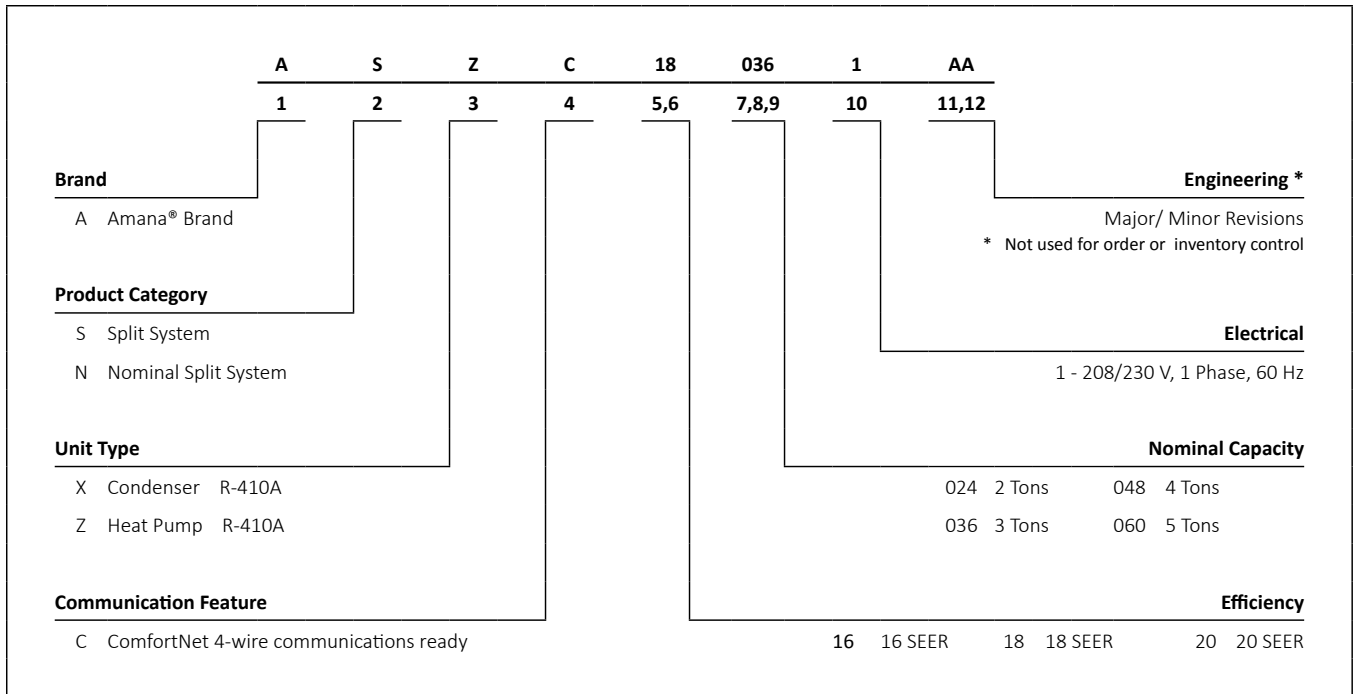
- Heavy-gauge galvanized steel enclosure with sound-control top
- Baked-on powder-paint finish
- Wire fan discharge grille
- Steel louver coil guard
- Rust-resistant coated screws
- Compact footprint
- Top and side maintenance access
- Single panel access to controls with space provided for field-installed accessories
- Sweat connection service valves with easy access to gauge ports
- When properly anchored, meets the 2010 Florida Building Code unit integrity requirements for hurricane-type winds (Anchor bracket kits available.)






Proper sizing and installation of equipment is critical to achieve optimal performance. Split system air conditioners and heat pumps must be matched with appropriate coil components to meet ENERGY STAR® criteria. Ask your contractor for details or visit [www.energystar.gov](http://www.energystar.gov).



\* Complete warranty details available from your local dealer or at [www.amana-hac.com](http://www.amana-hac.com). To receive the Lifetime Compressor Limited Warranty (good for as long as you own your home) and 10-Year Parts Limited Warranty, online registration must be completed within 60 days of installation. Online registration is not required in California or Québec.



	ASZC18 0361A	ASZC18 0481A	ASZC18 0601B
<b>COOLING CAPACITY</b>			
Nominal Cooling (BTU/h)	35,000	47,000	57,000
Nominal Heating (BTU/h)	35,000	47,000	57,000
Decibels	72	73	75
<b>COMPRESSOR</b>			
RLA	15.3	21.2	28.8
LRA	83	104	152.9
<b>CONDENSER FAN MOTOR</b>			
Horsepower (RPM)	1/3	1/3	1/3
FLA	2.8	2.8	2.8
<b>REFRIGERATION SYSTEM</b>			
Refrigerant Line Size <sup>1</sup>			
Liquid Line Size ("O.D.)	3/8"	3/8"	3/8"
Suction Line Size ("O.D.)	7/8"	1 1/8"	1 1/8"
Refrigerant Connection Size			
Liquid Valve Size ("O.D.)	3/8"	3/8"	3/8"
Suction Valve Size ("O.D.)	7/8"	1 1/8"	1 1/8"
Valve Connection Type	Sweat	Sweat	Sweat
Refrigerant Charge	188	278	278
Expansion Device	TXV	TXV	TXV
Superheat at Service Valve	7-9°F	7-9°F	7-9°F
Subcooling at Service Valve			
High Stage	8-10°F	8-10°F	8-10°F
Low Stage	5-7°F	5-7°F	5-7°F
<b>ELECTRICAL DATA</b>			
Voltage-Phase-Hz	208/230-1-60	208/230-1-60	208/230-1-60
Minimum Circuit Ampacity <sup>2</sup>	21.9	29.3	38.8
Max. Overcurrent Protection <sup>3</sup>	35	50	60
Min / Max Volts	197 / 253	197 / 253	197 / 253
Electrical Conduit Size	1/2" or 3/4"	1/2" or 3/4"	1/2" or 3/4"
<b>EQUIPMENT WEIGHT (LBS)</b>	246	308	314
<b>SHIP WEIGHT (LBS)</b>	268	330	336
<b>ENERGY STAR CERTIFIED <sup>^</sup></b>			

<sup>1</sup> Tested and rated in accordance with AHRI Standard 210/240

<sup>2</sup> Wire size should be determined in accordance with National Electrical Codes; extensive wire runs will require larger wire sizes

<sup>3</sup> Must use time-delay fuses or HACR-type circuit breakers of the same size as noted.

**NOTES**

- Always check the rating plate for electrical data on the unit being installed.
- Installer will need to supply 3/8" to 1 1/8" adapters for suction line connections.
- Unit is charged with refrigerant for 15' of 3/8" liquid line. System charge must be adjusted per Installation Instructions Final Charge Procedure.
- Installation of these units requires the specified TXV Kit to be installed on the indoor coil. THE SPECIFIED TXV IS DETERMINED BY THE OUT-DOOR UNIT, NOT THE INDOOR COIL.

**<sup>^</sup> ENERGY STAR NOTES**

- Proper sizing and installation of equipment is critical to achieve optimal performance. Split system air conditioners and heat pumps must be matched with appropriate coil components to meet ENERGY STAR® criteria. Ask your contractor for details or visit [www.energystar.gov](http://www.energystar.gov).
- The [www.energystar.gov](http://www.energystar.gov) website provides up-to-date system combinations certified to meet ENERGY STAR requirements. See Page 18 for all ENERGY STAR-certified combinations as of this document's revision date.

IDB		OUTDOOR AMBIENT TEMPERATURE												ENTERING INDOOR WET BULB TEMPERATURE											
		65°F				75°F				85°F				95°F				105°F				115°F			
		59	63	67	71	59	63	67	71	59	63	67	71	59	63	67	71	59	63	67	71	59	63	67	71
70	MBh	24.8	25.7	28.1	-	24.2	25.1	27.5	-	23.6	24.5	26.8	-	23.1	23.9	26.2	-	21.9	22.7	24.9	-	20.3	21.0	23.0	-
	S/T	0.77	0.64	0.44	-	0.79	0.66	0.46	-	0.81	0.68	0.47	-	0.84	0.70	0.49	-	0.87	0.73	0.50	-	0.88	0.73	0.51	-
	ΔT	18	16	12	-	18	16	12	-	18	16	12	-	19	16	12	-	18	16	12	-	17	15	11	-
	KW	1.34	1.37	1.42	-	1.45	1.48	1.54	-	1.55	1.58	1.64	-	1.63	1.67	1.73	-	1.71	1.75	1.81	-	1.77	1.81	1.88	-
	Amps	5.3	5.4	5.6	-	5.7	5.9	6.1	-	6.2	6.4	6.6	-	6.7	6.8	7.1	-	7.1	7.3	7.5	-	7.5	7.7	8.0	-
	Hi PR	209	225	237	-	234	252	266	-	267	287	303	-	304	327	345	-	342	368	388	-	377	406	429	-
	Lo PR	111	118	128	-	117	124	136	-	121	129	141	-	128	136	148	-	134	142	155	-	138	147	161	-
	MBh	24.1	24.9	27.3	-	23.5	24.4	26.7	-	22.9	23.8	26.1	-	22.4	23.2	25.4	-	21.3	22.0	24.1	-	19.7	20.4	22.4	-
	S/T	0.73	0.61	0.42	-	0.76	0.63	0.44	-	0.78	0.65	0.45	-	0.80	0.67	0.46	-	0.83	0.69	0.48	-	0.84	0.70	0.48	-
	ΔT	19	16	12	-	19	17	13	-	19	17	13	-	19	17	13	-	19	17	13	-	18	15	12	-
KW	1.33	1.36	1.40	-	1.44	1.47	1.52	-	1.54	1.57	1.63	-	1.62	1.66	1.72	-	1.69	1.73	1.79	-	1.76	1.80	1.86	-	
Amps	5.3	5.4	5.6	-	5.7	5.8	6.0	-	6.2	6.3	6.5	-	6.6	6.8	7.0	-	7.0	7.2	7.5	-	7.5	7.6	7.9	-	
Hi PR	207	223	235	-	232	250	264	-	264	284	300	-	301	324	342	-	338	364	384	-	374	402	425	-	
Lo PR	110	117	127	-	116	123	134	-	120	128	140	-	126	134	147	-	132	141	154	-	137	146	159	-	
MBh	22.2	23.0	25.2	-	21.7	22.5	24.6	-	21.2	21.9	24.0	-	20.7	21.4	23.5	-	19.6	20.3	22.3	-	18.2	18.8	20.6	-	
S/T	0.70	0.59	0.41	-	0.73	0.61	0.42	-	0.75	0.62	0.43	-	0.77	0.64	0.45	-	0.80	0.67	0.46	-	0.81	0.67	0.47	-	
ΔT	19	17	13	-	20	17	13	-	20	17	13	-	20	17	13	-	20	17	13	-	18	16	12	-	
KW	1.29	1.32	1.37	-	1.40	1.43	1.48	-	1.50	1.53	1.58	-	1.58	1.61	1.67	-	1.65	1.69	1.75	-	1.71	1.75	1.81	-	
Amps	5.1	5.2	5.4	-	5.5	5.7	5.9	-	6.0	6.2	6.4	-	6.4	6.6	6.8	-	6.8	7.0	7.2	-	7.2	7.4	7.7	-	
Hi PR	201	216	228	-	225	242	256	-	256	276	291	-	292	314	331	-	328	353	373	-	363	390	412	-	
Lo PR	106	113	123	-	112	119	130	-	117	124	135	-	123	130	142	-	128	137	149	-	133	141	154	-	

75	MBh	25.2	25.9	28.1	30.1	24.6	25.3	27.4	29.4	24.0	24.7	26.8	28.7	23.4	24.1	26.1	28.0	22.3	22.9	24.8	26.6	20.6	21.2	23.0	24.7
	S/T	0.87	0.78	0.59	0.38	0.90	0.81	0.61	0.39	0.92	0.83	0.63	0.40	0.95	0.85	0.65	0.42	0.99	0.89	0.67	0.43	1.00	0.89	0.68	0.44
	ΔT	21	19	16	11	21	20	16	11	21	20	16	11	22	20	16	11	21	20	16	11	20	18	15	10
	KW	1.35	1.38	1.43	1.48	1.46	1.50	1.55	1.60	1.56	1.60	1.65	1.71	1.65	1.69	1.75	1.81	1.72	1.76	1.83	1.89	1.79	1.83	1.89	1.96
	Amps	5.4	5.5	5.7	5.9	5.8	5.9	6.1	6.4	6.3	6.5	6.7	6.9	6.7	6.9	7.1	7.4	7.2	7.3	7.6	7.9	7.6	7.8	8.0	8.4
	Hi PR	211	227	240	250	237	255	269	281	269	290	306	319	307	330	349	364	345	371	392	409	381	410	433	452
	Lo PR	112	119	130	138	118	126	137	146	123	131	143	152	129	137	150	159	135	144	157	167	140	149	162	173
	MBh	24.5	25.2	27.3	29.3	23.9	24.6	26.6	28.6	23.3	24.0	26.0	27.9	22.8	23.4	25.4	27.2	21.6	22.3	24.1	25.9	20.0	20.6	22.3	24.0
	S/T	0.83	0.74	0.56	0.36	0.86	0.77	0.58	0.37	0.88	0.79	0.60	0.38	0.91	0.81	0.62	0.40	0.94	0.85	0.64	0.41	0.95	0.85	0.64	0.41
	ΔT	22	20	17	11	22	20	17	12	22	20	17	12	22	21	17	12	22	20	17	12	21	19	16	11
KW	1.34	1.37	1.42	1.47	1.45	1.48	1.54	1.59	1.55	1.59	1.64	1.70	1.64	1.67	1.73	1.79	1.71	1.75	1.81	1.87	1.77	1.81	1.88	1.95	
Amps	5.3	5.4	5.6	5.8	5.7	5.9	6.1	6.3	6.2	6.4	6.6	6.9	6.7	6.8	7.1	7.3	7.1	7.3	7.5	7.8	7.5	7.7	8.0	8.3	
Hi PR	209	225	237	248	234	252	266	278	267	287	303	316	304	327	345	360	342	368	388	405	378	406	429	447	
Lo PR	111	118	128	137	117	124	136	145	121	129	141	150	128	136	148	158	134	142	155	165	138	147	161	171	
MBh	22.6	23.3	25.2	27.0	22.1	22.7	24.6	26.4	21.5	22.2	24.0	25.8	21.0	21.6	23.4	25.1	20.0	20.5	22.2	23.9	18.5	19.0	20.6	22.1	
S/T	0.80	0.72	0.54	0.35	0.83	0.74	0.56	0.36	0.85	0.76	0.58	0.37	0.88	0.79	0.59	0.38	0.91	0.81	0.62	0.40	0.92	0.82	0.62	0.40	
ΔT	22	21	17	12	23	21	17	12	23	21	17	12	23	21	17	12	22	21	17	12	21	19	16	11	
KW	1.31	1.34	1.38	1.43	1.41	1.45	1.50	1.55	1.51	1.54	1.60	1.65	1.59	1.63	1.69	1.75	1.66	1.70	1.76	1.82	1.72	1.77	1.83	1.89	
Amps	5.2	5.3	5.5	5.7	5.6	5.7	5.9	6.1	6.1	6.2	6.4	6.7	6.5	6.6	6.9	7.1	6.9	7.1	7.3	7.6	7.3	7.5	7.7	8.0	
Hi PR	203	218	230	240	227	245	258	270	259	278	294	307	295	317	335	349	331	357	377	393	366	394	416	434	
Lo PR	107	114	125	133	113	121	132	140	118	125	137	146	124	132	144	153	130	138	151	160	134	143	156	166	

IDB: Entering Indoor Dry Bulb Temperature  
 High and low pressures are measured at the liquid and suction service valves.  
 Shaded area reflects ACCA (TVA) conditions  
 kW = Total system power  
 Amps = outdoor unit amps (compressor + fan)

EXPANDED COOLING DATA — ASZC180361A\*/CA\*F3743\*6\*\*+TXV/MBVC1600\*\* LOW STAGE (CONT.)

		OUTDOOR AMBIENT TEMPERATURE										ENTERING INDOOR WET BULB TEMPERATURE																	
		65°F					75°F					85°F					95°F					105°F					115°F		
IDB	AIRFLOW	59	63	67	71	59	63	67	71	59	63	67	71	59	63	67	71	59	63	67	71	59	63	67	71	59	63	67	71
80	MBh	25.7	26.2	28.0	29.9	25.1	25.6	27.4	29.2	24.5	25.0	26.7	28.5	23.9	24.4	26.0	27.8	22.7	23.2	24.7	26.5	21.0	21.5	22.9	24.5				
	S/T	0.95	0.90	0.73	0.54	1.00	0.93	0.75	0.56	1.00	0.95	0.77	0.58	1.00	1.00	0.80	0.60	1.00	1.00	0.83	0.62	1.00	1.00	0.84	0.63				
	ΔT	24	23	20	16	24	23	20	16	24	23	20	16	23	23	20	16	22	22	20	16	20	21	18	15				
	kW	1.36	1.39	1.44	1.49	1.48	1.51	1.56	1.62	1.58	1.61	1.67	1.73	1.66	1.70	1.76	1.83	1.74	1.78	1.84	1.91	1.80	1.85	1.91	1.98				
	Amps	5.4	5.5	5.7	5.9	5.9	6.0	6.2	6.4	6.4	6.5	6.7	7.0	6.8	7.0	7.2	7.5	7.2	7.4	7.7	8.0	7.7	7.9	8.1	8.4				
	Hi PR	213	229	242	253	239	257	272	284	272	293	309	322	310	333	352	367	349	375	396	413	385	415	438	457				
	Lo PR	113	120	131	140	119	127	138	147	124	132	144	153	130	138	151	161	136	145	158	169	141	150	164	175				
	MBh	24.9	25.4	27.2	29.1	24.3	24.9	26.6	28.4	23.7	24.3	25.9	27.7	23.2	23.7	25.3	27.0	22.0	22.5	24.0	25.7	20.4	20.8	22.3	23.8				
	S/T	0.91	0.85	0.69	0.52	0.94	0.88	0.72	0.54	0.97	0.91	0.74	0.55	1.00	0.94	0.76	0.57	1.00	0.97	0.79	0.59	1.00	0.98	0.80	0.60				
	ΔT	25	23	20	16	25	24	21	17	25	24	21	17	25	24	21	17	24	24	21	16	22	22	19	15				
	kW	1.35	1.38	1.43	1.48	1.46	1.50	1.55	1.60	1.56	1.60	1.65	1.71	1.65	1.69	1.75	1.81	1.72	1.76	1.83	1.89	1.79	1.83	1.89	1.96				
Amps	5.4	5.5	5.7	5.9	5.8	5.9	6.1	6.4	6.3	6.5	6.7	6.9	6.7	6.9	7.1	7.4	7.2	7.3	7.6	7.9	7.6	7.8	8.0	8.4					
Hi PR	211	227	240	250	237	255	269	281	269	290	306	319	307	330	349	364	345	371	392	409	381	410	433	452					
Lo PR	112	119	130	138	118	126	137	146	123	131	143	152	129	137	150	159	135	144	157	167	140	149	162	173					
MBh	23.0	23.5	25.1	26.8	22.5	22.9	24.5	26.2	21.9	22.4	23.9	25.6	21.4	21.8	23.3	25.0	20.3	20.8	22.2	23.7	18.8	19.2	20.5	22.0					
S/T	0.88	0.82	0.67	0.50	0.91	0.85	0.69	0.52	0.93	0.87	0.71	0.53	0.96	0.90	0.73	0.55	1.00	0.94	0.76	0.57	1.01	0.94	0.77	0.57					
ΔT	25	24	21	17	25	24	21	17	25	24	21	17	25	24	21	17	25	24	21	17	23	22	20	16					
kW	1.32	1.35	1.39	1.44	1.43	1.46	1.51	1.56	1.52	1.56	1.61	1.67	1.61	1.64	1.70	1.76	1.68	1.72	1.78	1.84	1.74	1.78	1.84	1.91					
Amps	5.2	5.3	5.5	5.7	5.6	5.8	6.0	6.2	6.1	6.3	6.5	6.7	6.5	6.7	6.9	7.2	7.0	7.1	7.4	7.7	7.4	7.6	7.8	8.1					
Hi PR	205	220	233	243	230	247	261	272	261	281	297	310	298	320	338	353	335	360	380	397	370	398	420	438					
Lo PR	108	115	126	134	115	122	133	142	119	127	138	147	125	133	145	155	131	139	152	162	136	144	157	168					
85	MBh	26.1	26.6	27.9	29.7	25.5	26.0	27.2	29.0	24.9	25.4	26.6	28.3	24.3	24.7	25.9	27.7	23.1	23.5	24.6	26.3	21.4	21.8	22.8	24.3				
	S/T	1.00	0.97	0.87	0.71	1.00	1.00	0.90	0.73	1.00	1.00	0.93	0.75	1.00	1.00	0.96	0.78	1.00	1.00	0.99	0.80	1.00	1.00	1.00	0.81				
	ΔT	25	25	23	20	25	25	24	20	24	24	24	20	23	24	24	21	22	23	23	20	21	21	22	19				
	kW	1.38	1.41	1.45	1.50	1.49	1.52	1.58	1.63	1.59	1.63	1.68	1.74	1.68	1.72	1.78	1.84	1.75	1.80	1.86	1.93	1.82	1.86	1.93	2.00				
	Amps	5.5	5.6	5.8	6.0	5.9	6.0	6.2	6.5	6.4	6.6	6.8	7.0	6.9	7.0	7.3	7.5	7.3	7.5	7.7	8.0	7.7	7.9	8.2	8.5				
	Hi PR	215	232	245	255	242	260	275	286	275	296	312	326	313	337	356	371	352	379	400	417	389	419	442	461				
	Lo PR	114	121	132	141	120	128	140	149	125	133	145	155	131	140	153	163	138	147	160	170	143	152	166	176				
	MBh	25.3	25.8	27.1	28.9	24.7	25.2	26.4	28.2	24.2	24.6	25.8	27.5	23.6	24.0	25.2	26.8	22.4	22.8	23.9	25.5	20.7	21.1	22.1	23.6				
	S/T	0.95	0.92	0.83	0.67	0.99	0.95	0.86	0.70	1.00	0.98	0.88	0.72	1.00	1.00	0.91	0.74	1.00	1.00	0.95	0.77	1.00	1.00	0.95	0.77				
	ΔT	26	26	24	21	26	26	25	21	26	26	25	21	25	26	25	21	24	25	24	21	22	23	23	20				
	kW	1.36	1.39	1.44	1.49	1.48	1.51	1.56	1.62	1.58	1.61	1.67	1.73	1.66	1.70	1.76	1.83	1.74	1.78	1.84	1.91	1.80	1.85	1.91	1.98				
Amps	5.4	5.5	5.7	5.9	5.9	6.0	6.2	6.4	6.4	6.5	6.7	7.0	6.8	7.0	7.2	7.5	7.2	7.4	7.7	8.0	7.7	7.9	8.1	8.4					
Hi PR	213	229	242	253	239	257	272	284	272	293	309	322	310	333	352	367	349	375	396	413	385	415	438	457					
Lo PR	113	120	131	140	119	127	138	147	124	132	144	153	130	138	151	161	136	145	158	169	141	150	164	175					
MBh	23.4	23.8	25.0	26.6	22.8	23.3	24.4	26.0	22.3	22.7	23.8	25.4	21.8	22.2	23.2	24.8	20.7	21.1	22.1	23.5	19.1	19.5	20.4	21.8					
S/T	0.92	0.89	0.80	0.65	0.95	0.92	0.83	0.67	0.98	0.94	0.85	0.69	1.00	0.97	0.88	0.71	1.00	1.00	0.91	0.74	1.00	1.00	0.92	0.75					
ΔT	26	26	25	22	27	26	25	22	27	27	25	22	27	27	25	22	26	26	25	22	24	24	23	20					
kW	1.33	1.36	1.40	1.45	1.44	1.47	1.52	1.57	1.53	1.57	1.62	1.68	1.62	1.66	1.72	1.78	1.69	1.73	1.79	1.86	1.76	1.80	1.86	1.93					
Amps	5.3	5.4	5.6	5.8	5.7	5.8	6.0	6.2	6.2	6.3	6.5	6.8	6.6	6.8	7.0	7.3	7.0	7.2	7.4	7.7	7.5	7.6	7.9	8.2					
Hi PR	207	223	235	245	232	250	264	275	264	284	300	313	301	323	342	356	338	364	384	401	374	402	425	443					
Lo PR	109	116	127	135	116	123	134	143	120	128	140	149	126	134	147	156	132	141	154	164	137	146	159	169					

IDB: Entering Indoor Dry Bulb Temperature  
 High and low pressures are measured at the liquid and suction service valves.  
 Shaded area reflects AHRl (TVA) conditions  
 kW = Total system power  
 Amps = outdoor unit amps (compressor + fan)

IDB		OUTDOOR AMBIENT TEMPERATURE												ENTERING INDOOR WET BULB TEMPERATURE											
		65°F				75°F				85°F				95°F				105°F				115°F			
		59	63	67	71	59	63	67	71	59	63	67	71	59	63	67	71	59	63	67	71	59	63	67	71
1406	MBh	34.5	35.8	39.2	-	33.7	34.9	38.3	-	32.9	34.1	37.4	-	32.1	33.3	36.5	-	30.5	31.6	34.6	-	28.3	29.3	32.1	-
	S/T	0.76	0.63	0.44	-	0.79	0.66	0.45	-	0.81	0.67	0.47	-	0.83	0.70	0.48	-	0.86	0.72	0.50	-	0.87	0.73	0.50	-
	ΔT	17	15	11	-	17	15	11	-	17	15	11	-	17	15	11	-	17	15	11	-	16	14	11	-
	kW	2.10	2.14	2.21	-	2.26	2.31	2.39	-	2.41	2.47	2.55	-	2.54	2.60	2.69	-	2.65	2.71	2.81	-	2.75	2.81	2.91	-
	Amps	7.8	8.0	8.2	-	8.4	8.6	8.9	-	9.2	9.4	9.7	-	9.8	10.1	10.4	-	10.5	10.7	11.1	-	11.1	11.4	11.8	-
70	Hi PR	219	235	249	-	245	264	279	-	279	300	317	-	318	342	361	-	358	385	406	-	395	425	449	-
	Lo PR	107	114	124	-	113	120	131	-	117	125	136	-	123	131	143	-	129	137	150	-	134	142	155	-
	MBh	33.5	34.7	38.1	-	32.7	33.9	37.2	-	32.0	33.1	36.3	-	31.2	32.3	35.4	-	29.6	30.7	33.6	-	27.4	28.4	31.2	-
	S/T	0.72	0.60	0.42	-	0.75	0.63	0.43	-	0.77	0.64	0.44	-	0.79	0.66	0.46	-	0.82	0.69	0.48	-	0.83	0.69	0.48	-
	ΔT	18	15	12	-	18	16	12	-	18	16	12	-	18	16	12	-	18	16	12	-	17	15	11	-
1094	kW	2.08	2.13	2.19	-	2.25	2.30	2.37	-	2.39	2.45	2.53	-	2.52	2.58	2.67	-	2.63	2.69	2.78	-	2.73	2.79	2.88	-
	Amps	7.7	7.9	8.1	-	8.3	8.5	8.8	-	9.1	9.3	9.6	-	9.7	10.0	10.3	-	10.4	10.6	11.0	-	11.0	11.3	11.7	-
	Hi PR	217	233	246	-	243	261	276	-	276	297	314	-	315	339	358	-	354	381	402	-	391	421	445	-
	Lo PR	106	113	123	-	112	119	130	-	116	124	135	-	122	130	142	-	128	136	149	-	132	141	154	-
	MBh	30.9	32.1	35.1	-	30.2	31.3	34.3	-	29.5	30.6	33.5	-	28.8	29.8	32.7	-	27.3	28.3	31.0	-	25.3	26.2	28.8	-
75	S/T	0.70	0.58	0.40	-	0.72	0.60	0.42	-	0.74	0.62	0.43	-	0.77	0.64	0.44	-	0.79	0.66	0.46	-	0.80	0.67	0.46	-
	ΔT	18	16	12	-	18	16	12	-	18	16	12	-	19	16	12	-	18	16	12	-	17	15	11	-
	kW	2.03	2.07	2.14	-	2.19	2.24	2.31	-	2.33	2.38	2.46	-	2.46	2.51	2.60	-	2.56	2.62	2.71	-	2.66	2.72	2.81	-
	Amps	7.5	7.7	7.9	-	8.1	8.3	8.6	-	8.8	9.0	9.3	-	9.4	9.7	10.0	-	10.1	10.3	10.7	-	10.7	10.9	11.3	-
	Hi PR	210	226	239	-	236	254	268	-	268	288	305	-	305	329	347	-	343	370	390	-	379	408	431	-
1406	Lo PR	103	109	119	-	108	115	126	-	113	120	131	-	118	126	138	-	124	132	144	-	128	137	149	-
	MBh	35.1	36.1	39.1	42.0	34.3	35.3	38.2	41.0	33.5	34.5	37.3	40.0	32.7	33.6	36.4	39.1	31.0	31.9	34.6	37.1	28.7	29.6	32.0	34.4
	S/T	0.86	0.77	0.58	0.38	0.89	0.80	0.60	0.39	0.92	0.82	0.62	0.40	0.95	0.85	0.64	0.41	0.98	0.88	0.66	0.43	0.99	0.89	0.67	0.43
	ΔT	20	18	15	10	20	18	15	10	20	18	15	10	20	19	15	11	20	18	15	10	19	17	14	10
	kW	2.11	2.16	2.23	2.31	2.28	2.33	2.41	2.49	2.43	2.49	2.57	2.66	2.56	2.62	2.71	2.81	2.68	2.74	2.83	2.93	2.77	2.84	2.94	3.04
1250	Amps	7.8	8.0	8.3	8.6	8.5	8.7	9.0	9.3	9.2	9.5	9.8	10.2	9.9	10.2	10.5	10.9	10.6	10.8	11.2	11.6	11.2	11.5	11.9	12.3
	Hi PR	221	238	251	262	248	267	282	294	282	303	320	334	321	346	365	381	361	389	411	428	399	430	454	473
	Lo PR	108	115	125	134	114	121	133	141	119	126	138	147	125	133	145	154	131	139	152	161	135	144	157	167
	MBh	34.1	35.1	38.0	40.8	33.3	34.3	37.1	39.8	32.5	33.5	36.2	38.9	31.7	32.6	35.3	37.9	30.1	31.0	33.6	36.0	27.9	28.7	31.1	33.4
	S/T	0.82	0.74	0.56	0.36	0.85	0.76	0.58	0.37	0.87	0.78	0.59	0.38	0.90	0.81	0.61	0.39	0.94	0.84	0.63	0.41	0.94	0.84	0.64	0.41
1094	ΔT	21	19	16	11	21	19	16	11	21	19	16	11	21	19	16	11	21	19	16	11	19	18	15	10
	kW	2.10	2.14	2.21	2.29	2.26	2.32	2.39	2.47	2.41	2.47	2.55	2.64	2.54	2.60	2.69	2.78	2.65	2.72	2.81	2.91	2.75	2.81	2.91	3.01
	Amps	7.8	8.0	8.2	8.5	8.4	8.6	8.9	9.3	9.2	9.4	9.7	10.1	9.8	10.1	10.4	10.8	10.5	10.7	11.1	11.5	11.1	11.4	11.8	12.2
	Hi PR	219	235	249	259	245	264	279	291	279	300	317	331	318	342	361	377	358	385	406	424	395	425	449	468
	Lo PR	107	114	124	132	113	120	131	140	117	125	136	145	123	131	143	153	129	138	150	160	134	142	155	165
75	MBh	31.5	32.4	35.1	37.6	30.7	31.6	34.2	36.8	30.0	30.9	33.4	35.9	29.3	30.1	32.6	35.0	27.8	28.6	31.0	33.3	25.8	26.5	28.7	30.8
	S/T	0.79	0.71	0.54	0.35	0.82	0.74	0.56	0.36	0.84	0.75	0.57	0.37	0.87	0.78	0.59	0.38	0.90	0.81	0.61	0.39	0.91	0.81	0.62	0.40
	ΔT	21	19	16	11	21	20	16	11	21	20	16	11	21	20	16	11	21	19	16	11	20	18	15	10
	kW	2.04	2.09	2.16	2.23	2.21	2.26	2.33	2.41	2.35	2.40	2.48	2.57	2.48	2.53	2.62	2.71	2.59	2.64	2.73	2.83	2.68	2.74	2.83	2.93
	Amps	7.5	7.7	8.0	8.3	8.2	8.4	8.7	9.0	8.9	9.1	9.4	9.8	9.5	9.8	10.1	10.5	10.2	10.4	10.8	11.2	10.8	11.1	11.4	11.9
75	Hi PR	212	228	241	251	238	256	271	282	271	291	308	321	308	332	350	366	347	373	394	411	383	413	436	454
	Lo PR	104	110	120	128	110	117	127	136	114	121	132	141	120	127	139	148	125	133	146	155	130	138	151	160

Shaded area reflects ACCA (TVA) conditions  
 kW = Total system power  
 Amps = outdoor unit amps (compressor + fan)

IDB: Entering Indoor Dry Bulb Temperature  
 High and low pressures are measured at the liquid and suction service valves.

Shaded area reflects ACCA (TVA) conditions  
 kW = Total system power  
 Amps = outdoor unit amps (compressor + fan)

EXPANDED COOLING DATA — ASZC180361A\*/CA\*F3743\*6\*\*+TXV/MBVC1600\*\*HIGH STAGE (CONT.)

IDB		OUTDOOR AMBIENT TEMPERATURE												ENTERING INDOOR WET BULB TEMPERATURE											
		65°F				75°F				85°F				95°F				105°F				115°F			
		59	63	67	71	59	63	67	71	59	63	67	71	59	63	67	71	59	63	67	71	59	63	67	71
1406	MBh	35.7	36.5	39.0	41.7	34.9	35.7	38.1	40.7	34.1	34.8	37.2	39.8	33.2	34.0	36.3	38.8	31.6	32.3	34.5	36.8	29.2	29.9	31.9	34.1
	S/T	0.95	0.89	0.72	0.54	1.00	0.92	0.75	0.56	1.00	0.94	0.77	0.57	1.00	1.00	0.79	0.59	1.00	1.00	0.82	0.61	1.00	1.00	0.83	0.62
	ΔT	2.2	2.1	1.8	1.5	2.3	2.1	1.9	1.5	2.2	2.1	1.9	1.5	2.2	2.2	1.9	1.5	2.1	2.1	1.9	1.5	1.9	2.0	1.7	1.4
	kW	2.13	2.18	2.25	2.33	2.30	2.35	2.43	2.52	2.45	2.51	2.59	2.68	2.59	2.65	2.74	2.83	2.70	2.76	2.86	2.96	2.80	2.86	2.96	3.07
	Amps	7.9	8.1	8.4	8.7	8.6	8.8	9.1	9.4	9.3	9.6	9.9	10.3	10.0	10.2	10.6	11.0	10.7	10.9	11.3	11.7	11.3	11.6	12.0	12.5
	Hi PR	223	240	254	265	250	269	285	297	285	306	324	338	324	349	369	384	365	393	415	433	403	434	458	478
	Lo PR	109	116	127	135	115	123	134	143	120	127	139	148	126	134	146	156	132	140	153	163	136	145	158	169
	MBh	34.7	35.4	37.9	40.5	33.9	34.6	37.0	39.5	33.1	33.8	36.1	38.6	32.3	33.0	35.2	37.7	30.7	31.3	33.5	35.8	28.4	29.0	31.0	33.1
	S/T	0.90	0.85	0.69	0.51	0.93	0.88	0.71	0.53	0.96	0.90	0.73	0.55	0.99	0.93	0.76	0.56	1.00	0.96	0.78	0.59	1.00	0.97	0.79	0.59
	ΔT	2.3	2.2	1.9	1.5	2.3	2.2	1.9	1.6	2.3	2.2	1.9	1.6	2.3	2.3	2.0	1.6	2.3	2.2	1.9	1.5	2.1	2.1	1.8	1.4
kW	2.06	2.11	2.18	2.25	2.23	2.28	2.35	2.43	2.37	2.42	2.51	2.59	2.50	2.56	2.64	2.73	2.61	2.67	2.76	2.85	2.70	2.76	2.86	2.96	
Amps	7.6	7.8	8.1	8.4	8.3	8.5	8.7	9.1	9.0	9.2	9.5	9.9	9.6	9.9	10.2	10.6	10.3	10.5	10.9	11.3	10.9	11.2	11.5	12.0	
Hi PR	214	231	244	254	240	259	273	285	274	294	311	324	312	335	354	369	350	377	398	415	387	417	440	459	
Lo PR	105	111	122	130	111	118	129	137	115	122	134	142	121	129	140	149	127	135	147	157	131	139	152	162	
MBh	32.0	32.7	35.0	37.4	31.3	32.0	34.1	36.5	30.5	31.2	33.3	35.6	29.8	30.4	32.5	34.8	28.3	28.9	30.9	33.0	26.2	26.8	28.6	30.6	
S/T	0.87	0.82	0.66	0.50	0.90	0.85	0.69	0.51	0.92	0.87	0.71	0.53	0.95	0.89	0.73	0.54	0.99	0.93	0.76	0.56	1.00	0.94	0.76	0.57	
ΔT	2.3	2.2	2.0	1.6	2.4	2.3	2.0	1.6	2.4	2.3	2.0	1.6	2.4	2.3	2.0	1.6	2.4	2.3	2.0	1.6	2.2	2.1	1.8	1.5	
kW	2.06	2.11	2.18	2.25	2.23	2.28	2.35	2.43	2.37	2.42	2.51	2.59	2.50	2.56	2.64	2.73	2.61	2.67	2.76	2.85	2.70	2.76	2.86	2.96	
Amps	7.6	7.8	8.1	8.4	8.3	8.5	8.7	9.1	9.0	9.2	9.5	9.9	9.6	9.9	10.2	10.6	10.3	10.5	10.9	11.3	10.9	11.2	11.5	12.0	
Hi PR	214	231	244	254	240	259	273	285	274	294	311	324	312	335	354	369	350	377	398	415	387	417	440	459	
Lo PR	105	111	122	130	111	118	129	137	115	122	134	142	121	129	140	149	127	135	147	157	131	139	152	162	

1406	MBh	36.4	37.1	38.8	41.4	35.5	36.2	37.9	40.4	34.7	35.3	37.0	39.5	33.8	34.5	36.1	38.5	32.1	32.7	34.3	36.6	29.8	30.3	31.8	33.9
	S/T	0.99	0.96	0.86	0.70	1.00	0.99	0.89	0.73	1.00	1.00	0.92	0.74	1.00	1.00	0.95	0.77	1.00	1.00	0.98	0.80	1.00	1.00	0.99	0.80
	ΔT	2.4	2.3	2.2	1.9	2.3	2.3	2.2	1.9	2.3	2.3	2.2	1.9	2.2	2.3	2.2	1.9	2.1	2.1	2.1	1.9	1.9	2.0	2.1	1.8
	kW	2.15	2.20	2.27	2.35	2.32	2.37	2.45	2.54	2.47	2.53	2.62	2.71	2.61	2.67	2.76	2.86	2.72	2.79	2.88	2.98	2.82	2.89	2.99	3.09
	Amps	8.0	8.2	8.5	8.8	8.7	8.9	9.2	9.5	9.4	9.7	10.0	10.4	10.1	10.3	10.7	11.1	10.8	11.0	11.4	11.9	11.4	11.7	12.1	12.6
	Hi PR	225	243	256	267	253	272	287	300	288	310	327	341	328	353	372	388	369	397	419	437	407	438	463	483
	Lo PR	110	117	128	136	116	124	135	144	121	129	141	150	127	135	148	157	133	142	155	165	138	147	160	170
	MBh	35.3	36.0	37.7	40.2	34.5	35.1	36.8	39.3	33.7	34.3	35.9	38.3	32.8	33.5	35.1	37.4	31.2	31.8	33.3	35.5	28.9	29.5	30.8	32.9
	S/T	0.95	0.91	0.82	0.67	0.98	0.95	0.85	0.69	1.00	0.97	0.88	0.71	1.00	1.00	0.90	0.73	1.00	1.00	0.94	0.76	1.00	1.00	0.95	0.77
	ΔT	2.5	2.4	2.3	2.0	2.5	2.4	2.3	2.0	2.5	2.4	2.3	2.0	2.4	2.5	2.3	2.0	2.3	2.3	2.3	2.0	2.1	2.2	2.1	1.9
kW	2.13	2.18	2.25	2.33	2.30	2.35	2.43	2.52	2.45	2.51	2.59	2.68	2.59	2.65	2.74	2.83	2.70	2.76	2.86	2.96	2.80	2.86	2.96	3.07	
Amps	7.9	8.1	8.4	8.7	8.6	8.8	9.1	9.4	9.3	9.6	9.9	10.3	10.0	10.2	10.6	11.0	10.7	10.9	11.3	11.7	11.3	11.6	12.0	12.5	
Hi PR	223	240	254	265	250	269	285	297	285	306	324	338	324	349	369	384	365	393	415	433	403	434	458	478	
Lo PR	109	116	127	135	115	123	134	143	120	127	139	148	126	134	146	156	132	140	153	163	136	145	158	169	
MBh	32.6	33.2	34.8	37.1	31.8	32.4	34.0	36.2	31.1	31.7	33.2	35.4	30.3	30.9	32.4	34.5	28.8	29.3	30.7	32.8	26.7	27.2	28.5	30.4	
S/T	0.91	0.88	0.79	0.64	0.94	0.91	0.82	0.67	0.97	0.93	0.84	0.68	1.00	0.97	0.87	0.71	1.00	1.00	0.90	0.73	1.00	1.00	0.91	0.74	
ΔT	2.5	2.5	2.3	2.0	2.5	2.5	2.3	2.0	2.5	2.5	2.4	2.0	2.5	2.5	2.4	2.1	2.4	2.5	2.3	2.0	2.2	2.3	2.2	1.9	
kW	2.08	2.12	2.19	2.27	2.24	2.29	2.37	2.45	2.39	2.45	2.53	2.61	2.52	2.58	2.67	2.76	2.63	2.69	2.78	2.88	2.73	2.79	2.88	2.98	
Amps	7.7	7.9	8.1	8.5	8.3	8.5	8.8	9.2	9.1	9.3	9.6	10.0	9.7	10.0	10.3	10.7	10.4	10.6	11.0	11.4	11.0	11.3	11.7	12.1	
Hi PR	216	233	246	257	243	261	276	288	276	297	314	327	315	339	358	373	354	381	402	420	391	421	444	464	
Lo PR	106	113	123	131	112	119	130	138	116	124	135	144	122	130	142	151	128	136	149	158	132	141	154	164	

kW = Total system power  
Amps = outdoor unit amps (compressor + fan)

Shaded area reflects AHR1 (TVA) conditions

IDB: Entering Indoor Dry Bulb Temperature  
High and low pressures are measured at the liquid and suction service valves.

EXPANDED COOLING DATA — ASZC180481A\*/CA\*F3743\*6\*\*+TXV/MBVC2000\*\* LOW STAGE

IDB		OUTDOOR AMBIENT TEMPERATURE												ENTERING INDOOR WET BULB TEMPERATURE												
		65°F				75°F				85°F				95°F				105°F				115°F				
		59	63	67	71	59	63	67	71	59	63	67	71	59	63	67	71	59	63	67	71	59	63	67	71	
70	1350	MBh	35.0	36.3	39.8	-	34.2	35.5	38.9	-	33.4	34.6	37.9	-	32.6	33.8	37.0	-	31.0	32.1	35.2	-	28.7	29.7	32.6	-
		S/T	0.76	0.63	0.44	-	0.78	0.65	0.45	-	0.80	0.67	0.46	-	0.83	0.69	0.48	-	0.86	0.72	0.50	-	0.87	0.72	0.50	-
		ΔT	18	16	12	-	18	16	12	-	18	16	12	-	18	16	12	-	18	16	12	-	17	15	11	-
		kW	1.85	1.89	1.96	-	2.01	2.05	2.13	-	2.14	2.20	2.27	-	2.27	2.32	2.40	-	2.37	2.43	2.51	-	2.46	2.52	2.61	-
		Amps	0.1	0.1	0.1	-	0.1	0.1	0.1	-	0.1	0.1	0.1	-	0.1	0.1	0.1	-	0.1	0.1	0.1	-	0.1	0.1	0.1	-
	Hi PR	209	225	237	-	234	252	266	-	266	287	303	-	303	326	345	-	341	367	388	-	377	406	429	-	
	Lo PR	110	117	128	-	116	123	135	-	121	128	140	-	127	135	147	-	133	141	154	-	137	146	160	-	
	MBh	34.0	35.3	38.6	-	33.2	34.4	37.7	-	32.4	33.6	36.8	-	31.6	32.8	35.9	-	30.1	31.2	34.1	-	27.8	28.9	31.6	-	
	S/T	0.72	0.60	0.42	-	0.75	0.62	0.43	-	0.77	0.64	0.44	-	0.79	0.66	0.46	-	0.82	0.69	0.47	-	0.83	0.69	0.48	-	
	ΔT	19	16	12	-	19	16	12	-	19	16	13	-	19	17	13	-	19	16	12	-	18	15	12	-	
kW	1.84	1.88	1.94	-	1.99	2.04	2.11	-	2.13	2.18	2.25	-	2.25	2.30	2.38	-	2.35	2.40	2.49	-	2.44	2.49	2.58	-		
Amps	0.1	0.1	0.1	-	0.1	0.1	0.1	-	0.1	0.1	0.1	-	0.1	0.1	0.1	-	0.1	0.1	0.1	-	0.1	0.1	0.1	-		
Hi PR	207	222	235	-	232	250	264	-	264	284	300	-	300	323	341	-	338	364	384	-	373	402	424	-		
Lo PR	109	116	126	-	115	122	133	-	119	127	139	-	125	133	146	-	131	140	153	-	136	145	158	-		
MBh	31.4	32.5	35.7	-	30.7	31.8	34.8	-	29.9	31.0	34.0	-	29.2	30.3	33.2	-	27.7	28.8	31.5	-	25.7	26.6	29.2	-		
S/T	0.70	0.58	0.40	-	0.72	0.60	0.42	-	0.74	0.62	0.43	-	0.76	0.64	0.44	-	0.79	0.66	0.46	-	0.80	0.67	0.46	-		
ΔT	19	17	13	-	19	17	13	-	19	17	13	-	19	17	13	-	19	17	13	-	18	16	12	-		
kW	1.79	1.83	1.89	-	1.94	1.98	2.05	-	2.07	2.12	2.19	-	2.19	2.24	2.32	-	2.28	2.34	2.42	-	2.37	2.43	2.51	-		
Amps	0.1	0.1	0.1	-	0.1	0.1	0.1	-	0.1	0.1	0.1	-	0.1	0.1	0.1	-	0.1	0.1	0.1	-	0.1	0.1	0.1	-		
Hi PR	200	216	228	-	225	242	256	-	256	275	291	-	291	314	331	-	328	353	372	-	362	390	412	-		
Lo PR	106	112	123	-	111	119	129	-	116	123	135	-	122	129	141	-	128	136	148	-	132	140	153	-		
75	1350	MBh	35.6	36.7	39.7	42.6	34.8	35.8	38.8	41.6	34.0	35.0	37.9	40.6	33.1	34.1	36.9	39.6	31.5	32.4	35.1	37.7	29.2	30.0	32.5	34.9
		S/T	0.86	0.77	0.58	0.37	0.89	0.80	0.60	0.39	0.91	0.82	0.62	0.40	0.94	0.84	0.64	0.41	0.98	0.87	0.66	0.43	0.99	0.88	0.67	0.43
		ΔT	21	19	16	11	21	19	16	11	21	19	16	11	21	19	16	11	21	19	16	11	20	18	15	10
		kW	1.87	1.91	1.98	2.05	2.03	2.07	2.14	2.22	2.16	2.22	2.29	2.37	2.29	2.34	2.42	2.51	2.39	2.45	2.53	2.63	2.48	2.54	2.63	2.73
		Amps	0.1	0.1	0.1	0.1	0.1	0.1	0.1	0.1	0.1	0.1	0.1	0.1	0.1	0.1	0.1	0.1	0.1	0.1	0.1	0.1	0.1	0.1	0.1	0.1
	Hi PR	211	227	240	250	237	255	269	280	269	290	306	319	306	330	348	363	345	371	392	409	381	410	433	452	
	Lo PR	111	118	129	137	117	125	136	145	122	130	142	151	128	136	149	158	134	143	156	166	139	148	161	172	
	MBh	34.6	35.6	38.5	41.4	33.8	34.8	37.7	40.4	33.0	34.0	36.8	39.4	32.2	33.1	35.9	38.5	30.6	31.5	34.1	36.6	28.3	29.2	31.6	33.9	
	S/T	0.82	0.73	0.55	0.36	0.85	0.76	0.57	0.37	0.87	0.78	0.59	0.38	0.90	0.80	0.61	0.39	0.93	0.83	0.63	0.41	0.94	0.84	0.64	0.41	
	ΔT	22	20	16	11	22	20	17	11	22	20	17	11	22	20	17	12	22	20	16	11	20	19	15	11	
kW	1.85	1.89	1.96	2.03	2.01	2.05	2.13	2.20	2.15	2.20	2.27	2.35	2.27	2.32	2.40	2.49	2.37	2.43	2.51	2.60	2.46	2.52	2.61	2.70		
Amps	0.1	0.1	0.1	0.1	0.1	0.1	0.1	0.1	0.1	0.1	0.1	0.1	0.1	0.1	0.1	0.1	0.1	0.1	0.1	0.1	0.1	0.1	0.1	0.1		
Hi PR	209	225	237	247	234	252	266	278	266	287	303	316	303	327	345	360	341	367	388	405	377	406	429	447		
Lo PR	110	117	128	136	116	124	135	144	121	128	140	149	127	135	147	157	133	141	154	164	137	146	160	170		
MBh	31.9	32.9	35.6	38.2	31.2	32.1	34.8	37.3	30.4	31.3	33.9	36.4	29.7	30.6	33.1	35.5	28.2	29.0	31.4	33.7	26.1	26.9	29.1	31.3		
S/T	0.79	0.71	0.53	0.34	0.82	0.73	0.55	0.36	0.84	0.75	0.57	0.37	0.87	0.78	0.59	0.38	0.90	0.80	0.61	0.39	0.91	0.81	0.61	0.40		
ΔT	22	20	17	12	22	21	17	12	22	21	17	12	23	21	17	12	23	20	17	12	21	19	16	11		
kW	1.80	1.85	1.91	1.98	1.95	2.00	2.07	2.14	2.09	2.14	2.21	2.29	2.21	2.26	2.34	2.42	2.31	2.36	2.44	2.53	2.39	2.45	2.54	2.63		
Amps	0.1	0.1	0.1	0.1	0.1	0.1	0.1	0.1	0.1	0.1	0.1	0.1	0.1	0.1	0.1	0.1	0.1	0.1	0.1	0.1	0.1	0.1	0.1	0.1		
Hi PR	203	218	230	240	227	245	258	269	258	278	294	306	294	317	334	349	331	356	376	392	366	394	416	434		
Lo PR	107	113	124	132	113	120	131	139	117	125	136	145	123	131	143	152	129	137	150	159	133	142	155	165		

IDB: Entering Indoor Dry Bulb Temperature  
 High and low pressures are measured at the liquid and suction service valves.  
 Shaded area reflects ACCA (TVA) conditions  
 kW = Total system power  
 Amps = outdoor unit amps (compressor + fan)



EXPANDED COOLING DATA — ASZC180481A\*/CA\*F3743\*6\*\*+TXV/MBVC2000\*\* LOW STAGE (CONT.)

IDB		OUTDOOR AMBIENT TEMPERATURE												ENTERING INDOOR WET BULB TEMPERATURE												
		65°F				75°F				85°F				95°F				105°F				115°F				
		59	63	67	71	59	63	67	71	59	63	67	71	59	63	67	71	59	63	67	71	59	63	67	71	
70	1350	MBh	36.3	37.1	39.6	42.3	35.4	36.2	38.7	41.3	34.6	35.3	37.7	40.3	33.7	34.5	36.8	39.4	32.0	32.7	35.0	37.4	29.7	30.3	32.4	34.6
		S/T	0.94	0.88	0.72	0.54	1.00	0.92	0.75	0.56	1.00	0.94	0.76	0.57	1.00	0.97	0.79	0.59	1.00	1.00	0.82	0.61	1.00	1.00	0.83	0.62
		ΔT	23	22	19	15	24	23	20	16	24	23	20	16	23	23	20	16	22	22	20	16	20	21	18	15
		kW	1.88	1.93	1.99	2.06	2.04	2.09	2.16	2.24	2.18	2.24	2.31	2.40	2.31	2.36	2.45	2.53	2.41	2.47	2.56	2.65	2.50	2.56	2.65	2.75
		Amps	0.1	0.1	0.1	0.1	0.1	0.1	0.1	0.1	0.1	0.1	0.1	0.1	0.1	0.1	0.1	0.1	0.1	0.1	0.1	0.1	0.1	0.1	0.1	0.1
	1200	Hi PR	213	229	242	252	239	257	272	283	272	292	309	322	310	333	352	367	348	375	396	413	385	414	437	456
		Lo PR	112	119	130	139	118	126	138	147	123	131	143	152	129	138	150	160	136	144	157	168	140	149	163	173
		MBh	35.2	36.0	38.4	41.1	34.4	35.1	37.5	40.1	33.6	34.3	36.6	39.2	32.7	33.5	35.8	38.2	31.1	31.8	34.0	36.3	28.8	29.4	31.5	33.6
		S/T	0.90	0.84	0.69	0.51	0.93	0.87	0.71	0.53	0.96	0.90	0.73	0.54	0.99	0.92	0.75	0.56	1.00	0.96	0.78	0.58	1.00	0.97	0.79	0.59
		ΔT	24	23	20	16	25	24	20	16	25	24	20	16	25	24	21	16	24	23	20	16	22	22	19	15
1050	kW	1.87	1.91	1.98	2.05	2.03	2.07	2.15	2.22	2.16	2.22	2.29	2.38	2.29	2.34	2.42	2.51	2.39	2.45	2.54	2.63	2.48	2.54	2.63	2.73	
	Amps	0.1	0.1	0.1	0.1	0.1	0.1	0.1	0.1	0.1	0.1	0.1	0.1	0.1	0.1	0.1	0.1	0.1	0.1	0.1	0.1	0.1	0.1	0.1	0.1	
	Hi PR	211	227	240	250	237	255	269	280	269	290	306	319	307	330	348	363	345	371	392	409	381	410	433	452	
	Lo PR	111	118	129	137	117	125	136	145	122	130	142	151	128	136	149	158	134	143	156	166	139	148	161	172	
	MBh	32.5	33.2	35.5	37.9	31.7	32.4	34.6	37.0	31.0	31.7	33.8	36.2	30.2	30.9	33.0	35.3	28.7	29.3	31.3	33.5	26.6	27.2	29.0	31.0	

75	1350	MBh	36.9	37.6	39.4	42.0	36.0	36.7	38.5	41.0	35.2	35.9	37.6	40.1	34.3	35.0	36.6	39.1	32.6	33.2	34.8	37.1	30.2	30.8	32.2	34.4
		S/T	0.99	0.95	0.86	0.70	1.00	0.99	0.89	0.72	1.00	1.00	0.91	0.74	1.00	1.00	0.94	0.77	1.00	1.00	0.98	0.79	1.00	1.00	0.99	0.80
		ΔT	25	24	23	20	25	25	23	20	24	24	23	20	23	24	24	20	22	23	23	20	21	21	22	19
		kW	1.90	1.94	2.01	2.08	2.06	2.11	2.18	2.26	2.20	2.26	2.33	2.42	2.33	2.38	2.47	2.56	2.43	2.49	2.58	2.67	2.53	2.59	2.68	2.78
		Amps	0.1	0.1	0.1	0.1	0.1	0.1	0.1	0.1	0.1	0.1	0.1	0.1	0.1	0.1	0.1	0.1	0.1	0.1	0.1	0.1	0.1	0.1	0.1	0.1
	1200	Hi PR	215	231	244	255	241	260	274	286	275	295	312	325	313	336	355	371	352	379	400	417	389	418	442	461
		Lo PR	113	120	132	140	120	127	139	148	124	132	144	154	131	139	152	162	137	146	159	169	142	151	164	175
		MBh	35.8	36.5	38.2	40.8	35.0	35.7	37.4	39.8	34.2	34.8	36.5	38.9	33.3	34.0	35.6	38.0	31.7	32.3	33.8	36.1	29.3	29.9	31.3	33.4
		S/T	0.94	0.91	0.82	0.67	0.98	0.94	0.85	0.69	1.00	0.97	0.87	0.71	1.00	1.00	0.90	0.73	1.00	1.00	0.93	0.76	1.00	1.00	0.94	0.76
		ΔT	26	25	24	21	26	26	24	21	26	26	24	21	26	26	25	21	24	25	24	21	22	23	23	20
1050	kW	1.88	1.93	1.99	2.06	2.04	2.09	2.16	2.24	2.18	2.24	2.31	2.40	2.31	2.36	2.45	2.53	2.41	2.47	2.56	2.65	2.50	2.56	2.65	2.75	
	Amps	0.1	0.1	0.1	0.1	0.1	0.1	0.1	0.1	0.1	0.1	0.1	0.1	0.1	0.1	0.1	0.1	0.1	0.1	0.1	0.1	0.1	0.1	0.1	0.1	
	Hi PR	213	229	242	252	239	257	272	283	272	292	309	322	310	333	352	367	348	375	396	413	385	414	437	456	
	Lo PR	112	119	130	139	118	126	138	147	123	131	143	152	129	138	150	160	136	144	157	168	140	149	163	173	
	MBh	33.1	33.7	35.3	37.7	32.3	32.9	34.5	36.8	31.5	32.1	33.7	35.9	30.8	31.4	32.8	35.0	29.2	29.8	31.2	33.3	27.1	27.6	28.9	30.8	

IDB: Entering Indoor Dry Bulb Temperature  
 High and low pressures are measured at the liquid and suction service valves.  
 Shaded area reflects AHR1 (TVA) conditions  
 kW = Total system power  
 Amps = outdoor unit amps (compressor + fan)

EXPANDED COOLING DATA — ASZC180481A\*/CA\*F3743\*6\*\*+TXV/MBVC2000\*\* HIGH STAGE

IDB	AIRFLOW	OUTDOOR AMBIENT TEMPERATURE												ENTERING INDOOR WET BULB TEMPERATURE															
		65°F				75°F				85°F				95°F				105°F				115°F							
		59	63	67	71	59	63	67	71	59	63	67	71	59	63	67	71	59	63	67	71	59	63	67	71				
70	MBh	49.0	50.8	55.6	-	47.9	49.6	54.3	-	46.7	48.4	53.1	-	45.6	47.2	51.8	-	44.3	45.9	50.3	-	42.0	43.6	47.7	-	38.9	40.4	44.2	-
	S/T	0.75	0.63	0.44	-	0.78	0.65	0.45	-	0.80	0.67	0.46	-	0.83	0.69	0.48	-	0.82	0.66	0.46	-	0.82	0.68	0.47	-	0.83	0.69	0.48	-
	ΔT	17	15	11	-	17	15	11	-	17	15	11	-	18	15	12	-	18	16	12	-	18	16	12	-	17	15	11	-
	kW	2.88	2.94	3.04	-	3.10	3.17	3.28	-	3.31	3.38	3.49	-	3.48	3.56	3.68	-	3.63	3.72	3.84	-	3.60	3.68	3.81	-	3.73	3.82	3.95	-
	Amps	10.3	10.6	10.9	-	11.2	11.5	11.8	-	12.2	12.5	12.9	-	13.1	13.4	13.9	-	13.9	14.3	14.8	-	13.8	14.1	14.6	-	14.7	15.0	15.6	-
	Hi PR	214	231	244	-	241	259	273	-	274	295	311	-	312	335	354	-	351	377	399	-	347	374	395	-	384	413	436	-
	Lo PR	106	113	123	-	112	119	130	-	116	124	135	-	122	130	142	-	128	136	149	-	127	135	147	-	131	140	152	-
	MBh	47.6	49.3	54.0	-	46.5	48.2	52.8	-	45.4	47.0	51.5	-	44.3	45.9	50.3	-	42.0	43.6	47.7	-	38.9	40.4	44.2	-				
	S/T	0.72	0.60	0.42	-	0.75	0.62	0.43	-	0.76	0.64	0.44	-	0.79	0.66	0.46	-	0.82	0.68	0.47	-	0.82	0.68	0.47	-	0.83	0.69	0.48	-
	ΔT	18	16	12	-	18	16	12	-	18	16	12	-	18	16	12	-	18	16	12	-	18	16	12	-	17	15	11	-
	kW	2.85	2.92	3.01	-	3.08	3.15	3.25	-	3.28	3.35	3.46	-	3.45	3.53	3.65	-	3.60	3.68	3.81	-	3.60	3.68	3.81	-	3.73	3.82	3.95	-
	Amps	10.2	10.5	10.8	-	11.1	11.3	11.7	-	12.1	12.4	12.8	-	12.9	13.3	13.7	-	13.8	14.1	14.6	-	13.8	14.1	14.6	-	14.7	15.0	15.6	-
Hi PR	212	229	241	-	238	256	271	-	271	292	308	-	309	332	351	-	347	374	395	-	347	374	395	-	384	413	436	-	
Lo PR	105	112	122	-	111	118	129	-	115	123	134	-	121	129	141	-	127	135	147	-	127	135	147	-	131	140	152	-	
MBh	43.9	45.5	49.9	-	42.9	44.4	48.7	-	41.9	43.4	47.5	-	40.8	42.3	46.4	-	38.8	40.2	44.1	-	35.9	37.3	40.8	-					
S/T	0.69	0.58	0.40	-	0.72	0.60	0.42	-	0.74	0.62	0.43	-	0.76	0.64	0.44	-	0.79	0.66	0.46	-	0.80	0.66	0.46	-					
ΔT	18	16	12	-	19	16	12	-	19	16	12	-	19	16	12	-	18	16	12	-	17	15	11	-					
kW	2.78	2.84	2.94	-	3.00	3.07	3.17	-	3.20	3.27	3.37	-	3.37	3.44	3.56	-	3.51	3.59	3.71	-	3.64	3.72	3.84	-					
Amps	9.9	10.2	10.5	-	10.7	11.0	11.4	-	11.7	12.0	12.4	-	12.6	12.9	13.3	-	13.4	13.7	14.2	-	14.2	14.6	15.1	-					
Hi PR	206	222	234	-	231	249	263	-	263	283	299	-	299	322	340	-	337	362	383	-	372	400	423	-					
Lo PR	102	108	118	-	108	114	125	-	112	119	130	-	117	125	136	-	123	131	143	-	127	135	148	-					
75	MBh	49.8	51.3	55.5	59.6	48.7	50.1	54.2	58.2	47.5	48.9	52.9	56.8	46.4	47.7	51.7	55.4	44.0	45.3	49.1	52.7	40.8	42.0	45.5	48.8				
	S/T	0.86	0.77	0.58	0.37	0.89	0.79	0.60	0.39	0.91	0.81	0.62	0.40	0.94	0.84	0.64	0.41	0.98	0.87	0.66	0.42	0.98	0.88	0.67	0.43				
	ΔT	20	18	15	10	20	19	15	11	20	19	15	11	20	19	15	11	20	18	15	10	19	17	14	10				
	kW	2.90	2.96	3.06	3.16	3.13	3.20	3.31	3.42	3.33	3.41	3.52	3.64	3.51	3.59	3.71	3.84	3.67	3.75	3.88	4.01	3.80	3.88	4.02	4.16				
	Amps	10.4	10.7	11.0	11.4	11.3	11.6	12.0	12.4	12.3	12.6	13.0	13.6	13.2	13.5	14.0	14.5	14.1	14.4	14.9	15.5	14.9	15.3	15.9	16.5				
	Hi PR	217	233	246	257	243	262	276	288	277	298	314	328	315	339	358	373	354	381	403	420	391	421	445	464				
	Lo PR	107	114	124	132	113	120	131	140	118	125	137	145	123	131	143	153	129	138	150	160	134	142	155	166				
	MBh	48.4	49.8	53.9	57.9	47.3	48.6	52.7	56.5	46.1	47.5	51.4	55.2	45.0	46.3	50.2	53.8	42.8	44.0	47.6	51.1	39.6	40.8	44.1	47.4				
	S/T	0.82	0.73	0.55	0.36	0.85	0.76	0.57	0.37	0.87	0.78	0.59	0.38	0.90	0.80	0.61	0.39	0.93	0.83	0.63	0.41	0.94	0.84	0.64	0.41				
	ΔT	21	19	16	11	21	19	16	11	21	19	16	11	21	20	16	11	21	19	16	11	20	18	15	10				
	kW	2.88	2.94	3.04	3.14	3.11	3.17	3.28	3.39	3.31	3.38	3.49	3.61	3.48	3.56	3.68	3.81	3.63	3.72	3.84	3.98	3.76	3.85	3.98	4.12				
	Amps	10.3	10.6	10.9	11.3	11.2	11.5	11.8	12.3	12.2	12.5	12.9	13.4	13.1	13.4	13.9	14.4	13.9	14.3	14.8	15.4	14.8	15.2	15.7	16.3				
Hi PR	215	231	244	254	241	259	274	285	274	295	311	324	312	336	354	370	351	377	399	416	388	417	440	459					
Lo PR	106	113	123	131	112	119	130	138	116	124	135	144	122	130	142	151	128	136	149	158	133	141	154	164					
MBh	44.7	46.0	49.8	53.4	43.6	44.9	48.6	52.2	42.6	43.8	47.4	50.9	41.5	42.8	46.3	49.7	39.5	40.6	44.0	47.2	36.6	37.6	40.7	43.7					
S/T	0.79	0.70	0.53	0.34	0.82	0.73	0.55	0.36	0.84	0.75	0.57	0.36	0.86	0.77	0.59	0.38	0.90	0.80	0.61	0.39	0.90	0.81	0.61	0.39					
ΔT	21	19	16	11	21	20	16	11	21	20	16	11	22	20	16	11	21	20	16	11	20	18	15	10					
kW	2.81	2.87	2.96	3.06	3.03	3.09	3.20	3.30	3.22	3.29	3.40	3.52	3.39	3.47	3.59	3.71	3.54	3.62	3.74	3.87	3.67	3.75	3.88	4.01					
Amps	10.0	10.3	10.6	11.0	10.9	11.1	11.5	12.0	11.8	12.1	12.6	13.0	12.7	13.0	13.5	14.0	13.5	13.9	14.4	14.9	14.4	14.7	15.2	15.9					
Hi PR	208	224	236	247	233	251	265	277	266	286	302	315	302	325	344	358	340	366	387	403	376	405	427	446					
Lo PR	103	109	119	127	109	116	126	134	113	120	131	140	119	126	138	147	124	132	144	154	129	137	149	159					

IDB: Entering Indoor Dry Bulb Temperature  
 High and low pressures are measured at the liquid and suction service valves.  
 Shaded area reflects ACCA (TVA) conditions  
 kW = Total system power  
 Amps = outdoor unit amps (compressor + fan)

EXPANDED COOLING DATA — ASZC180481A\*/CA\*F3743\*6\*\*+TXV/MBVC2000\*\* HIGH STAGE (CONT.)

IDB		OUTDOOR AMBIENT TEMPERATURE												ENTERING INDOOR WET BULB TEMPERATURE											
		65°F				75°F				85°F				95°F				105°F				115°F			
		59	63	67	71	59	63	67	71	59	63	67	71	59	63	67	71	59	63	67	71	59	63	67	71
1969	MBh	50.7	51.8	55.4	59.2	49.5	50.6	54.1	57.8	48.4	49.4	52.8	56.4	47.2	48.2	51.5	55.1	44.8	45.8	48.9	52.3	41.5	42.4	45.3	48.4
	S/T	0.94	0.88	0.72	0.54	1.00	0.91	0.74	0.56	1.00	0.94	0.76	0.57	1.00	0.97	0.79	0.59	1.00	1.00	0.82	0.61	1.00	1.00	0.82	0.62
	ΔT	22	21	19	15	23	22	19	15	23	22	19	15	22	22	19	15	21	21	19	15	19	20	17	14
	kW	2.93	2.99	3.09	3.19	3.16	3.23	3.33	3.45	3.36	3.44	3.55	3.67	3.54	3.62	3.75	3.87	3.70	3.78	3.91	4.05	3.83	3.92	4.05	4.19
	Amps	10.5	10.8	11.1	11.6	11.4	11.7	12.1	12.5	12.4	12.7	13.2	13.7	13.3	13.6	14.1	14.7	14.2	14.6	15.1	15.7	15.1	15.5	16.0	16.6
	Hi PR	219	236	249	259	246	264	279	291	279	301	317	331	318	342	361	377	358	385	407	424	395	426	449	469
	Lo PR	108	115	126	134	114	122	133	141	119	126	138	147	125	133	145	154	131	139	152	162	135	144	157	167
	MBh	49.2	50.3	53.8	57.5	48.1	49.1	52.5	56.1	46.9	48.0	51.3	54.8	45.8	46.8	50.0	53.5	43.5	44.5	47.5	50.8	40.3	41.2	44.0	47.0
	S/T	0.90	0.84	0.68	0.51	0.93	0.87	0.71	0.53	0.95	0.89	0.73	0.54	0.98	0.92	0.75	0.56	1.00	0.96	0.78	0.58	1.00	0.97	0.79	0.59
	ΔT	23	22	19	15	23	22	20	16	23	23	20	16	24	23	20	16	24	23	22	19	21	21	18	15
kW	2.90	2.96	3.06	3.16	3.13	3.20	3.31	3.42	3.33	3.41	3.52	3.64	3.51	3.59	3.71	3.84	3.67	3.75	3.88	4.01	3.80	3.88	4.02	4.16	
Amps	10.4	10.7	11.0	11.5	11.3	11.6	12.0	12.4	12.3	12.6	13.0	13.6	13.2	13.5	14.0	14.5	14.1	14.4	14.9	15.5	14.9	15.3	15.9	16.5	
Hi PR	217	233	246	257	243	262	276	288	277	298	314	328	315	339	358	373	354	381	403	420	391	421	445	464	
Lo PR	107	114	124	132	113	120	131	140	118	125	137	145	123	131	143	153	129	138	150	160	134	142	155	166	
MBh	45.4	46.4	49.6	53.0	44.4	45.4	48.5	51.8	43.3	44.3	47.3	50.6	42.3	43.2	46.2	49.3	40.2	41.0	43.8	46.9	37.2	38.0	40.6	43.4	
S/T	0.86	0.81	0.66	0.49	0.90	0.84	0.68	0.51	0.92	0.86	0.70	0.52	0.95	0.89	0.72	0.54	0.98	0.92	0.75	0.56	0.99	0.93	0.76	0.57	
ΔT	24	23	20	16	24	23	20	16	24	23	20	16	24	23	20	16	24	23	20	16	22	21	18	15	
kW	2.83	2.89	2.98	3.08	3.05	3.12	3.22	3.33	3.25	3.32	3.43	3.55	3.42	3.50	3.62	3.74	3.57	3.65	3.78	3.91	3.70	3.78	3.91	4.05	
Amps	10.1	10.4	10.7	11.1	11.0	11.2	11.6	12.1	11.9	12.3	12.7	13.2	12.8	13.1	13.6	14.1	13.7	14.0	14.5	15.1	14.5	14.9	15.4	16.0	
Hi PR	210	226	239	249	236	254	268	280	268	289	305	318	306	329	347	362	344	370	391	407	380	409	432	450	
Lo PR	104	110	121	128	110	117	127	136	114	121	132	141	120	127	139	148	126	134	146	155	130	138	151	161	

1969	MBh	51.6	52.6	55.1	58.8	50.4	51.4	53.8	57.4	49.2	50.2	52.5	56.0	48.0	48.9	51.2	54.7	45.6	46.5	48.7	51.9	42.2	43.1	45.1	48.1
	S/T	0.99	0.95	0.86	0.70	1.00	0.99	0.89	0.72	1.00	1.00	0.91	0.74	1.00	1.00	0.94	0.76	1.00	1.00	0.98	0.79	1.00	1.00	0.99	0.80
	ΔT	24	23	22	19	24	24	22	19	23	23	22	19	22	23	23	19	21	22	22	19	20	20	21	18
	kW	2.95	3.01	3.11	3.22	3.18	3.25	3.36	3.48	3.39	3.47	3.58	3.71	3.57	3.65	3.78	3.91	3.73	3.81	3.94	4.08	3.86	3.95	4.09	4.23
	Amps	10.6	10.9	11.2	11.7	11.5	11.8	12.2	12.7	12.5	12.9	13.3	13.8	13.4	13.8	14.3	14.8	14.3	14.7	15.2	15.8	15.2	15.6	16.2	16.8
	Hi PR	221	238	251	262	248	267	282	294	282	304	321	334	321	346	365	381	361	389	411	428	399	430	454	473
	Lo PR	109	116	127	135	115	123	134	143	120	128	139	148	126	134	146	156	132	140	153	163	137	145	159	169
	MBh	50.1	51.1	53.5	57.1	48.9	49.9	52.2	55.7	47.8	48.7	51.0	54.4	46.6	47.5	49.8	53.1	44.3	45.1	47.3	50.4	41.0	41.8	43.8	46.7
	S/T	0.94	0.91	0.82	0.66	0.97	0.94	0.85	0.69	1.00	0.96	0.87	0.71	1.00	0.99	0.90	0.73	1.00	1.00	0.93	0.76	1.00	1.00	0.94	0.76
	ΔT	25	24	23	20	25	25	23	20	25	25	23	20	24	25	23	20	23	24	23	20	22	22	22	19
kW	2.93	2.99	3.09	3.19	3.16	3.23	3.33	3.45	3.36	3.44	3.55	3.67	3.54	3.62	3.75	3.87	3.70	3.78	3.91	4.05	3.83	3.92	4.05	4.19	
Amps	10.5	10.8	11.1	11.6	11.4	11.7	12.1	12.5	12.4	12.7	13.2	13.7	13.3	13.6	14.1	14.7	14.2	14.6	15.1	15.7	15.1	15.5	16.0	16.6	
Hi PR	219	236	249	259	246	264	279	291	279	301	317	331	318	342	361	377	358	385	407	424	395	426	449	469	
Lo PR	108	115	126	134	114	122	133	141	119	126	138	147	125	133	145	154	131	139	152	162	135	144	157	167	
MBh	46.2	47.1	49.4	52.7	45.2	46.0	48.2	51.4	44.1	44.9	47.1	50.2	43.0	43.8	45.9	49.0	40.9	41.7	43.6	46.5	37.9	38.6	40.4	43.1	
S/T	0.91	0.87	0.79	0.64	0.94	0.91	0.82	0.66	0.96	0.93	0.84	0.68	0.99	0.96	0.87	0.70	1.00	1.00	0.90	0.73	1.00	1.00	0.91	0.74	
ΔT	25	25	23	20	25	25	24	20	25	25	24	21	26	25	24	21	25	25	24	20	23	23	22	19	
kW	2.85	2.92	3.01	3.11	3.08	3.15	3.25	3.36	3.28	3.35	3.46	3.58	3.45	3.53	3.65	3.77	3.60	3.68	3.81	3.94	3.73	3.82	3.95	4.08	
Amps	10.2	10.5	10.8	11.2	11.1	11.3	11.7	12.2	12.1	12.4	12.8	13.3	12.9	13.3	13.7	14.3	13.8	14.1	14.6	15.2	14.6	15.0	15.5	16.2	
Hi PR	212	228	241	252	238	256	271	282	271	292	308	321	309	332	351	366	347	374	394	411	384	413	436	455	
Lo PR	105	112	122	130	111	118	129	137	115	123	134	142	121	129	140	150	127	135	147	157	131	139	152	162	

IDB: Entering Indoor Dry Bulb Temperature  
 High and low pressures are measured at the liquid and suction service valves.  
 Shaded area reflects AHR1 (TVA) conditions  
 kW = Total system power  
 Amps = outdoor unit amps (compressor + fan)

		OUTDOOR AMBIENT TEMPERATURE																																			
		65°F						75°F						85°F						95°F						105°F						115°F					
		IDB	AIRFLOW	59	63	67	71	59	63	67	71	59	63	67	71	59	63	67	71	59	63	67	71	59	63	67	71	59	63	67	71						
70	MBh	40.0	41.5	45.5	-	39.1	40.5	44.4	-	38.2	39.6	43.3	-	37.2	38.6	42.3	-	35.4	36.7	40.2	-	32.8	34.0	37.2	-	32.8	34.0	37.2	-								
	S/T	0.73	0.61	0.42	-	0.76	0.63	0.44	-	0.78	0.65	0.45	-	0.80	0.67	0.47	-	0.83	0.70	0.48	-	0.84	0.70	0.49	-	0.84	0.70	0.49	-								
	DT	20	17	13	-	20	18	13	-	20	18	13	-	20	18	13	-	20	17	13	-	19	16	12	-	19	16	12	-								
	KW	2.22	2.27	2.35	-	2.41	2.46	2.55	-	2.57	2.63	2.72	-	2.71	2.77	2.87	-	2.83	2.90	3.00	-	2.93	3.00	3.11	-	2.93	3.00	3.11	-								
	Amps	7.9	8.1	8.3	-	8.5	8.7	9.0	-	9.2	9.4	9.7	-	9.8	10.1	10.4	-	10.5	10.7	11.1	-	11.1	11.3	11.7	-	11.1	11.3	11.7	-								
	Hi PR	206	222	234	-	231	249	263	-	263	283	299	-	300	322	340	-	337	363	383	-	372	401	423	-	372	401	423	-								
	Lo PR	107	114	125	-	114	121	132	-	118	126	137	-	124	132	144	-	130	138	151	-	134	143	156	-	134	143	156	-								
	MBh	38.9	40.3	44.1	-	38.0	39.3	43.1	-	37.1	38.4	42.1	-	36.2	37.5	41.1	-	34.3	35.6	39.0	-	31.8	33.0	36.1	-	31.8	33.0	36.1	-								
	S/T	0.70	0.58	0.40	-	0.72	0.61	0.42	-	0.74	0.62	0.43	-	0.77	0.64	0.44	-	0.80	0.66	0.46	-	0.80	0.67	0.46	-	0.80	0.67	0.46	-								
	DT	21	18	14	-	21	18	14	-	21	18	14	-	21	18	14	-	21	18	14	-	20	17	13	-	20	17	13	-								
KW	2.21	2.26	2.33	-	2.39	2.44	2.52	-	2.55	2.60	2.69	-	2.69	2.75	2.84	-	2.81	2.87	2.97	-	2.91	2.98	3.08	-	2.91	2.98	3.08	-									
Amps	7.8	8.0	8.3	-	8.4	8.6	8.9	-	9.1	9.4	9.7	-	9.8	10.0	10.3	-	10.4	10.6	11.0	-	11.0	11.2	11.6	-	11.0	11.2	11.6	-									
Hi PR	204	220	232	-	229	246	260	-	260	280	296	-	297	319	337	-	334	359	379	-	369	397	419	-	369	397	419	-									
Lo PR	106	113	124	-	112	120	131	-	117	124	136	-	123	131	143	-	129	137	149	-	133	142	155	-	133	142	155	-									
MBh	35.9	37.2	40.7	-	35.0	36.3	39.8	-	34.2	35.5	38.8	-	33.4	34.6	37.9	-	31.7	32.9	36.0	-	29.4	30.4	33.3	-	29.4	30.4	33.3	-									
S/T	0.67	0.56	0.39	-	0.70	0.58	0.40	-	0.72	0.60	0.41	-	0.74	0.62	0.43	-	0.77	0.64	0.44	-	0.77	0.65	0.45	-	0.77	0.65	0.45	-									
DT	21	18	14	-	21	19	14	-	21	19	14	-	22	19	14	-	21	18	14	-	20	17	13	-	20	17	13	-									
KW	2.15	2.20	2.27	-	2.33	2.38	2.46	-	2.48	2.54	2.62	-	2.62	2.68	2.77	-	2.73	2.79	2.89	-	2.83	2.90	3.00	-	2.83	2.90	3.00	-									
Amps	7.6	7.8	8.0	-	8.2	8.4	8.7	-	8.9	9.1	9.4	-	9.5	9.7	10.0	-	10.1	10.3	10.7	-	10.7	10.9	11.3	-	10.7	10.9	11.3	-									
Hi PR	198	213	225	-	222	239	252	-	253	272	287	-	288	310	327	-	324	348	368	-	358	385	406	-	358	385	406	-									
Lo PR	103	110	120	-	109	116	127	-	113	121	132	-	119	127	138	-	125	133	145	-	129	137	150	-	129	137	150	-									
75	MBh	40.7	41.9	45.4	48.7	39.8	40.9	44.3	47.6	38.8	40.0	43.3	46.4	37.9	39.0	42.2	45.3	36.0	37.0	40.1	43.0	33.3	34.3	37.1	39.9	33.3	34.3	37.1	39.9								
	S/T	0.83	0.75	0.56	0.36	0.86	0.77	0.58	0.38	0.89	0.79	0.60	0.39	0.91	0.82	0.62	0.40	0.95	0.85	0.64	0.41	0.96	0.86	0.65	0.42	0.96	0.86	0.65	0.42								
	DT	23	21	17	12	23	22	18	12	23	22	18	12	24	22	18	12	25	23	18	12	22	20	16	11	22	22	20	16	11							
	KW	2.24	2.29	2.37	2.45	2.43	2.48	2.57	2.66	2.59	2.65	2.74	2.84	2.73	2.80	2.89	3.00	2.85	2.92	3.02	3.13	2.96	3.03	3.14	3.25	2.96	3.03	3.14	3.25								
	Amps	8.0	8.1	8.4	8.7	8.6	8.8	9.1	9.4	9.3	9.5	9.8	10.2	9.9	10.2	10.5	10.9	10.6	10.8	11.2	11.6	11.2	11.4	11.8	12.3	11.2	11.4	11.8	12.3								
	Hi PR	208	224	237	247	234	251	266	277	266	286	302	315	303	326	344	359	340	366	387	404	376	405	427	446	376	405	427	446								
	Lo PR	109	115	126	134	115	122	133	142	119	127	138	147	125	133	145	155	131	140	152	162	136	144	158	168	136	144	158	168								
	MBh	39.5	40.7	44.0	47.3	38.6	39.7	43.0	46.2	37.7	38.8	42.0	45.1	36.8	<b>37.9</b>	41.0	44.0	34.9	36.0	38.9	41.8	32.4	33.3	36.1	38.7	32.4	33.3	36.1	38.7								
	S/T	0.79	0.71	0.54	0.35	0.82	0.74	0.56	0.36	0.84	0.76	0.57	0.37	0.87	<b>0.78</b>	0.59	0.38	0.90	0.81	0.61	0.39	0.91	0.82	0.62	0.40	0.91	0.82	0.62	0.40								
	DT	24	22	18	13	24	22	18	13	24	22	18	13	25	<b>23</b>	19	13	24	22	18	13	23	21	17	12	23	23	21	17	12							
KW	2.23	2.28	2.35	2.43	2.41	2.46	2.55	2.63	2.57	2.63	2.72	2.81	2.71	<b>2.77</b>	2.87	2.97	2.83	2.90	3.00	3.10	2.93	3.00	3.11	3.22	2.93	3.00	3.11	3.22									
Amps	7.9	8.1	8.3	8.6	8.5	8.7	9.0	9.3	9.2	9.4	9.7	10.1	9.8	<b>10.1</b>	10.4	10.8	10.5	10.7	11.1	11.5	11.1	11.3	11.7	12.2	11.1	11.3	11.7	12.2									
Hi PR	206	222	234	244	231	249	263	274	263	283	299	312	300	<b>322</b>	341	355	337	363	383	400	372	401	423	441	372	401	423	441									
Lo PR	107	114	125	133	114	121	132	140	118	126	137	146	124	<b>132</b>	144	153	130	138	151	161	134	143	156	166	134	143	156	166									
MBh	36.5	37.6	40.7	43.6	35.6	36.7	39.7	42.6	34.8	35.8	38.8	41.6	33.9	34.9	37.8	40.6	32.2	33.2	35.9	38.6	29.9	30.7	33.3	35.7	29.9	30.7	33.3	35.7									
S/T	0.77	0.69	0.52	0.33	0.79	0.71	0.54	0.35	0.81	0.73	0.55	0.35	0.84	0.75	0.57	0.37	0.87	0.78	0.59	0.38	0.88	0.79	0.60	0.38	0.88	0.79	0.60	0.38									
DT	24	23	18	13	25	23	19	13	25	23	19	13	25	<b>23</b>	19	13	25	23	19	13	25	23	19	12	25	25	23	19	12								
KW	2.17	2.22	2.29	2.37	2.35	2.40	2.48	2.56	2.50	2.56	2.65	2.74	2.64	<b>2.70</b>	2.79	2.89	2.76	2.82	2.92	3.02	2.86	2.92	3.03	3.13	2.86	2.92	3.03	3.13									
Amps	7.7	7.9	8.1	8.4	8.3	8.5	8.7	9.1	9.0	9.2	9.5	9.8	9.6	<b>9.8</b>	10.1	10.5	10.2	10.4	10.8	11.2	10.8	11.0	11.4	11.8	10.8	11.0	11.4	11.8									
Hi PR	200	215	227	237	224	241	255	266	255	275	290	302	291	<b>313</b>	330	344	327	352	372	388	361	389	411	428	361	389	411	428									
Lo PR	104	111	121	129	110	117	128	136	114	122	133	142	120	<b>128</b>	140	149	126	134	146	156	130	139	151	161	130	139	151	161									

IDB: Entering Indoor Dry Bulb Temperature  
 High and low pressures are measured at the liquid and suction service valves.  
 Shaded area reflects ACCA (TVA) conditions  
 kW = Total system power  
 Amps = outdoor unit amps (compressor + fan)

EXPANDED COOLING DATA — ASZC180601B / CAPF4961D6\*+TXV / MBVC2000A LOW STAGE (CONT.)

IDB		OUTDOOR AMBIENT TEMPERATURE												ENTERING INDOOR WET BULB TEMPERATURE												
		65°F				75°F				85°F				95°F				105°F				115°F				
		59	63	67	71	59	63	67	71	59	63	67	71	59	63	67	71	59	63	67	71	59	63	67	71	
70	1350	MBh	41.4	42.3	45.2	48.4	40.5	41.4	44.2	47.2	39.5	40.4	43.1	46.1	38.5	39.4	42.1	45.0	36.6	37.4	40.0	42.7	33.9	34.7	37.0	39.6
		S/T	0.91	0.86	0.70	0.52	0.95	0.89	0.72	0.54	1.00	0.91	0.74	0.55	1.00	0.94	0.77	0.57	1.00	1.00	0.79	0.59	1.00	1.00	0.80	0.60
	DT	26	25	21	17	26	25	22	17	27	25	22	17	26	25	22	18	25	25	22	17	23	24	20	16	
	KW	2.26	2.31	2.39	2.47	2.45	2.50	2.59	2.68	2.61	2.67	2.77	2.86	2.76	2.82	2.92	3.02	2.88	2.95	3.05	3.16	2.99	3.06	3.16	3.28	
	Amps	8.0	8.2	8.5	8.8	8.7	8.9	9.1	9.5	9.4	9.6	9.9	10.3	10.0	10.3	10.6	11.0	10.7	10.9	11.3	11.7	11.3	11.5	11.9	12.4	
	Hi PR	210	226	239	249	236	254	268	280	268	289	305	318	306	329	347	362	344	370	391	408	380	409	432	450	
	Lo PR	110	117	127	136	116	123	135	143	120	128	140	149	126	135	147	156	133	141	154	164	137	146	159	170	
	MBh	40.2	41.1	43.9	46.9	39.3	40.1	42.9	45.9	38.4	39.2	41.9	44.8	37.4	38.2	<b>40.9</b>	43.7	35.5	36.3	38.8	41.5	32.9	33.6	35.9	38.4	
	S/T	0.87	0.82	0.67	0.50	0.90	0.85	0.69	0.52	0.93	0.87	0.71	0.53	0.96	0.90	<b>0.73</b>	0.55	0.99	0.93	0.76	0.57	1.00	0.94	0.76	0.57	
	DT	27	26	22	18	27	26	23	18	27	26	23	18	27	26	<b>23</b>	18	27	26	23	18	25	24	21	17	
KW	2.24	2.29	2.37	2.45	2.43	2.48	2.57	2.66	2.59	2.65	2.74	2.84	2.73	2.80	<b>2.89</b>	3.00	2.86	2.92	3.02	3.13	2.96	3.03	3.14	3.25		
Amps	8.0	8.1	8.4	8.7	8.6	8.8	9.1	9.4	9.3	9.5	9.8	10.2	9.9	10.2	<b>10.5</b>	10.9	10.6	10.8	11.2	11.6	11.2	11.4	11.8	12.3		
Hi PR	208	224	237	247	234	251	266	277	266	286	302	315	303	326	<b>344</b>	359	341	366	387	404	376	405	428	446		
Lo PR	109	116	126	134	115	122	133	142	119	127	138	147	125	133	<b>145</b>	155	131	140	152	162	136	144	158	168		
MBh	37.1	37.9	40.5	43.3	36.3	37.1	39.6	42.3	35.4	36.2	38.6	41.3	34.5	35.3	37.7	40.3	32.8	33.5	35.8	38.3	30.4	31.1	33.2	35.5		
S/T	0.84	0.79	0.64	0.48	0.87	0.82	0.67	0.50	0.89	0.84	0.68	0.51	0.92	0.86	0.70	0.53	0.96	0.90	0.73	0.55	0.97	0.91	0.74	0.55		
DT	27	26	23	18	28	27	23	18	28	27	23	18	28	27	23	19	27	26	23	18	26	25	21	17		
KW	2.19	2.24	2.31	2.39	2.37	2.42	2.50	2.59	2.52	2.58	2.67	2.76	2.66	2.72	2.82	2.92	2.78	2.84	2.94	3.05	2.88	2.95	3.05	3.16		
Amps	7.7	7.9	8.2	8.5	8.4	8.5	8.8	9.1	9.1	9.3	9.6	9.9	9.7	9.9	10.2	10.6	10.3	10.5	10.9	11.3	10.9	11.1	11.5	11.9		
Hi PR	202	217	230	239	227	244	258	269	258	277	293	306	294	316	334	348	330	355	375	391	365	393	415	433		
Lo PR	105	112	122	130	111	118	129	138	116	123	134	143	121	129	141	150	127	135	148	157	132	140	153	163		

75	1350	MBh	42.2	43.0	45.0	48.0	41.2	42.0	44.0	46.9	40.2	41.0	42.9	45.8	39.2	40.0	41.9	44.7	37.3	38.0	39.8	42.4	34.5	35.2	36.8	39.3
		S/T	0.96	0.92	0.83	0.68	0.99	0.96	0.86	0.70	1.00	0.98	0.89	0.72	1.00	1.00	0.92	0.74	1.00	1.00	0.95	0.77	1.00	1.00	0.96	0.78
	DT	28	27	26	22	28	27	26	22	27	27	26	22	27	27	26	23	25	26	26	22	24	24	24	21	
	KW	2.28	2.33	2.41	2.50	2.47	2.53	2.61	2.70	2.64	2.70	2.79	2.89	2.78	2.85	2.95	3.05	2.91	2.97	3.08	3.19	3.01	3.08	3.19	3.31	
	Amps	8.1	8.3	8.5	8.9	8.7	8.9	9.2	9.6	9.5	9.7	10.0	10.4	10.1	10.4	10.7	11.1	10.7	11.0	11.4	11.8	11.4	11.7	12.0	12.5	
	Hi PR	212	229	241	252	238	257	271	283	271	292	308	321	309	332	351	366	347	374	395	412	384	413	436	455	
	Lo PR	111	118	129	137	117	124	136	145	122	129	141	150	128	136	148	158	134	142	155	166	138	147	161	171	
	MBh	40.9	41.7	43.7	46.6	40.0	40.7	42.7	45.5	39.0	39.8	41.7	44.4	38.1	38.8	40.6	43.4	36.2	36.9	38.6	41.2	33.5	34.2	35.8	38.2	
	S/T	0.91	0.88	0.80	0.65	0.95	0.91	0.82	0.67	0.97	0.94	0.85	0.69	1.00	0.97	0.87	0.71	1.00	1.00	0.91	0.74	1.00	1.00	0.91	0.74	
	DT	29	28	27	23	29	29	27	23	29	29	27	23	29	29	27	24	28	28	27	23	26	26	25	22	
KW	2.26	2.31	2.39	2.47	2.45	2.50	2.59	2.68	2.61	2.67	2.77	2.86	2.76	2.82	2.92	3.02	2.88	2.95	3.05	3.16	2.99	3.06	3.16	3.28		
Amps	8.0	8.2	8.5	8.8	8.7	8.9	9.1	9.5	9.4	9.6	9.9	10.3	10.0	10.3	10.6	11.0	10.7	10.9	11.3	11.7	11.3	11.5	11.9	12.4		
Hi PR	210	226	239	249	236	254	268	280	268	289	305	318	306	329	347	362	344	370	391	408	380	409	432	450		
Lo PR	110	117	127	136	116	123	135	143	120	128	140	149	126	135	147	156	133	141	154	164	137	146	159	170		
MBh	37.8	38.5	40.3	43.0	36.9	37.6	39.4	42.0	36.0	36.7	38.5	41.0	35.1	35.8	37.5	40.0	33.4	34.0	35.6	38.0	30.9	31.5	33.0	35.2		
S/T	0.88	0.85	0.77	0.62	0.91	0.88	0.80	0.65	0.94	0.90	0.82	0.66	0.97	0.93	0.84	0.68	1.00	0.97	0.87	0.71	1.00	0.98	0.88	0.71		
DT	29	29	27	23	30	29	27	24	30	29	27	24	30	29	28	24	29	29	27	24	27	27	25	22		
KW	2.21	2.26	2.33	2.41	2.39	2.44	2.52	2.61	2.54	2.60	2.69	2.79	2.69	2.75	2.84	2.94	2.80	2.87	2.97	3.07	2.91	2.98	3.08	3.19		
Amps	7.8	8.0	8.3	8.5	8.4	8.6	8.9	9.2	9.1	9.4	9.7	10.0	9.7	10.0	10.3	10.7	10.4	10.6	11.0	11.4	11.0	11.2	11.6	12.0		
Hi PR	204	220	232	242	229	246	260	271	260	280	296	309	297	319	337	351	334	359	379	395	369	397	419	437		
Lo PR	106	113	124	132	112	120	131	139	117	124	136	144	123	131	142	152	129	137	149	159	133	141	154	165		

IDB: Entering Indoor Dry Bulb Temperature  
 High and low pressures are measured at the liquid and suction service valves.  
 Shaded area reflects AHRl (TVA) conditions  
 kW = Total system power  
 Amps = outdoor unit amps (compressor + fan)

IDB		OUTDOOR AMBIENT TEMPERATURE												ENTERING INDOOR WET BULB TEMPERATURE												
		65°F				75°F				85°F				95°F				105°F				115°F				
		59	63	67	71	59	63	67	71	59	63	67	71	59	63	67	71	59	63	67	71	59	63	67	71	
70	2000	MBh	54.6	56.5	62.0	-	53.3	55.2	60.5	-	52.0	53.9	59.1	-	50.8	52.6	57.6	-	48.2	50.0	54.8	-	44.7	46.3	50.7	-
		S/T	0.73	0.61	0.42	-	0.76	0.63	0.44	-	0.78	0.65	0.45	-	0.80	0.67	0.47	-	0.83	0.70	0.48	-	0.84	0.70	0.49	-
		DT	18	16	12	-	19	16	12	-	19	16	12	-	19	16	12	-	19	16	12	-	17	15	11	-
		KW	3.48	3.55	3.67	-	3.75	3.83	3.95	-	3.98	4.07	4.20	-	4.19	4.28	4.42	-	4.37	4.46	4.61	-	4.52	4.62	4.77	-
		Amps	13.0	13.3	13.8	-	14.1	14.4	14.9	-	15.3	15.7	16.2	-	16.4	16.8	17.4	-	17.5	17.9	18.5	-	18.5	19.0	19.7	-
		Hi PR	206	222	235	-	232	249	263	-	263	283	299	-	300	323	341	-	338	363	384	-	373	401	424	-
	Lo PR	106	113	124	-	112	120	131	-	117	124	136	-	123	131	143	-	129	137	149	-	133	142	155	-	
	1800	MBh	53.8	55.7	61.0	-	52.5	54.4	59.6	-	51.3	53.1	58.2	-	50.0	51.8	56.8	-	47.5	49.2	53.9	-	44.0	45.6	50.0	-
		S/T	0.70	0.59	0.41	-	0.73	0.61	0.42	-	0.75	0.62	0.43	-	0.77	0.64	0.45	-	0.80	0.67	0.46	-	0.81	0.67	0.47	-
		DT	19	17	13	-	20	17	13	-	20	17	13	-	20	17	13	-	19	17	13	-	18	16	12	-
		KW	3.46	3.53	3.65	-	3.73	3.81	3.93	-	3.96	4.05	4.18	-	4.17	4.26	4.40	-	4.34	4.44	4.58	-	4.49	4.59	4.75	-
		Amps	12.9	13.2	13.7	-	14.0	14.3	14.8	-	15.2	15.6	16.1	-	16.3	16.7	17.3	-	17.4	17.8	18.4	-	18.4	18.9	19.5	-
Hi PR		205	221	233	-	230	248	261	-	262	282	297	-	298	321	339	-	335	361	381	-	370	399	421	-	
Lo PR	106	112	123	-	112	119	130	-	116	123	135	-	122	130	142	-	128	136	148	-	132	141	154	-		
1600	MBh	51.1	52.9	58.0	-	49.9	51.7	56.6	-	48.7	50.5	55.3	-	47.5	49.2	53.9	-	45.1	46.8	51.2	-	41.8	43.3	47.5	-	
	S/T	0.67	0.56	0.39	-	0.70	0.58	0.40	-	0.71	0.60	0.41	-	0.74	0.62	0.43	-	0.77	0.64	0.44	-	0.77	0.64	0.45	-	
	DT	20	17	13	-	20	17	13	-	20	17	13	-	20	17	13	-	20	17	13	-	19	16	12	-	
	KW	3.41	3.48	3.59	-	3.67	3.74	3.86	-	3.90	3.98	4.11	-	4.10	4.19	4.32	-	4.27	4.36	4.51	-	4.42	4.52	4.67	-	
	Amps	12.7	13.0	13.4	-	13.7	14.1	14.5	-	14.9	15.3	15.8	-	16.0	16.4	16.9	-	17.0	17.5	18.1	-	18.1	18.5	19.2	-	
	Hi PR	201	216	228	-	225	243	256	-	256	276	291	-	292	314	332	-	329	354	373	-	363	391	412	-	
Lo PR	104	110	120	-	109	116	127	-	114	121	132	-	119	127	139	-	125	133	145	-	130	138	150	-		
75	2000	MBh	55.5	57.1	61.8	66.4	54.2	55.8	60.4	64.8	52.9	54.5	59.0	63.3	51.6	53.1	57.5	61.7	49.0	50.5	54.6	58.6	45.4	46.8	50.6	54.3
		S/T	0.83	0.75	0.56	0.36	0.86	0.77	0.58	0.38	0.89	0.79	0.60	0.39	0.91	0.82	0.62	0.40	0.95	0.85	0.64	0.41	0.96	0.86	0.65	0.42
		DT	21	20	16	11	22	20	16	11	22	20	16	11	22	20	16	11	21	20	16	11	20	18	15	10
		KW	3.51	3.58	3.70	3.81	3.78	3.86	3.98	4.11	4.02	4.10	4.24	4.38	4.23	4.32	4.46	4.61	4.40	4.50	4.65	4.81	4.56	4.66	4.82	4.98
		Amps	13.1	13.4	13.9	14.4	14.2	14.6	15.1	15.6	15.5	15.9	16.4	17.0	16.6	17.0	17.5	18.2	17.6	18.1	18.7	19.4	18.7	19.2	19.8	20.6
		Hi PR	209	224	237	247	234	252	266	277	266	286	302	315	303	326	344	359	341	367	387	404	377	405	428	447
	Lo PR	108	114	125	133	114	121	132	141	118	126	137	146	124	132	144	153	130	138	151	161	134	143	156	166	
	1800	MBh	54.7	56.3	60.9	65.4	53.4	55.0	59.5	63.9	52.1	53.7	58.1	62.3	50.9	52.4	56.7	60.8	48.3	49.7	53.8	57.8	44.7	46.1	49.9	53.5
		S/T	0.80	0.71	0.54	0.35	0.83	0.74	0.56	0.36	0.85	0.76	0.57	0.37	0.88	0.78	0.59	0.38	0.91	0.81	0.62	0.40	0.92	0.82	0.62	0.40
		DT	22	21	17	12	23	21	17	12	23	21	17	12	23	21	17	12	22	21	17	12	21	19	16	11
		KW	3.49	3.56	3.67	3.79	3.76	3.84	3.96	4.09	3.99	4.08	4.21	4.35	4.20	4.29	4.43	4.58	4.38	4.48	4.62	4.78	4.53	4.63	4.79	4.95
		Amps	13.0	13.4	13.8	14.3	14.1	14.5	15.0	15.5	15.4	15.7	16.3	16.9	16.4	16.9	17.4	18.1	17.5	18.0	18.6	19.3	18.6	19.1	19.7	20.5
Hi PR		207	223	235	245	232	250	264	275	264	284	300	313	301	324	342	357	339	364	385	401	374	403	425	443	
Lo PR	107	114	124	132	113	120	131	140	117	125	136	145	123	131	143	152	129	137	150	160	134	142	155	165		
1600	MBh	51.9	53.5	57.9	62.1	50.7	52.2	56.5	60.7	49.5	51.0	55.2	59.2	48.3	49.7	53.8	57.8	45.9	47.3	51.1	54.9	42.5	43.8	47.4	50.8	
	S/T	0.76	0.68	0.52	0.33	0.79	0.71	0.54	0.35	0.81	0.73	0.55	0.35	0.84	0.75	0.57	0.37	0.87	0.78	0.59	0.38	0.88	0.79	0.59	0.38	
	DT	23	21	17	12	23	21	17	12	23	21	17	12	23	21	18	12	23	21	17	12	21	20	16	11	
	KW	3.43	3.51	3.62	3.73	3.70	3.78	3.90	4.02	3.93	4.01	4.14	4.28	4.13	4.22	4.36	4.51	4.31	4.40	4.55	4.70	4.45	4.55	4.71	4.86	
	Amps	12.8	13.1	13.5	14.1	13.9	14.2	14.7	15.2	15.1	15.5	16.0	16.6	16.1	16.5	17.1	17.8	17.2	17.6	18.2	18.9	18.2	18.7	19.3	20.1	
	Hi PR	203	218	231	241	228	245	259	270	259	279	294	307	295	317	335	350	332	357	377	393	367	395	417	435	
Lo PR	105	111	122	129	111	118	128	137	115	122	133	142	121	128	140	149	127	135	147	156	131	139	152	162		

IDB: Entering Indoor Dry Bulb Temperature  
 High and low pressures are measured at the liquid and suction service valves.  
 Shaded area reflects ACCA (TVA) conditions  
 kW = Total system power  
 Amps = outdoor unit amps (compressor + fan)

EXPANDED COOLING DATA — ASZC180601B / CAPF4961D6\*+TXV / MBVC2000A HIGH STAGE (CONT.)

IDB		OUTDOOR AMBIENT TEMPERATURE												ENTERING INDOOR WET BULB TEMPERATURE											
		65°F				75°F				85°F				95°F				105°F				115°F			
		59	63	67	71	59	63	67	71	59	63	67	71	59	63	67	71	59	63	67	71	59	63	67	71
2000	MBh	56.5	57.7	61.6	65.9	55.2	56.4	60.2	64.4	53.8	55.0	58.8	62.8	52.5	53.7	57.3	61.3	49.9	51.0	54.5	58.2	46.2	47.2	50.5	53.9
	S/T	0.91	0.86	0.70	0.52	0.95	0.89	0.72	0.54	0.97	0.91	0.74	0.55	1.00	0.94	0.77	0.57	1.00	0.98	0.79	0.59	1.00	0.98	0.80	0.60
	DT	24	23	20	16	24	23	20	16	24	23	20	16	24	23	20	16	23	23	20	16	21	21	19	15
	kW	3.54	3.61	3.73	3.85	3.81	3.89	4.02	4.15	4.05	4.14	4.27	4.41	4.26	4.35	4.50	4.65	4.44	4.54	4.69	4.85	4.60	4.70	4.86	5.02
	Amps	13.2	13.6	14.0	14.6	14.3	14.7	15.2	15.8	15.6	16.0	16.5	17.2	16.7	17.1	17.7	18.4	17.8	18.3	18.9	19.6	18.9	19.4	20.0	20.8
	Hi PR	211	227	239	250	236	254	269	280	269	289	305	319	306	329	348	363	344	371	391	408	381	410	432	451
	Lo PR	109	116	126	134	115	122	133	142	119	127	139	148	125	133	146	155	131	140	152	162	136	144	158	168
	MBh	55.6	56.9	60.7	64.9	54.3	55.5	59.3	63.4	53.0	54.2	57.9	61.9	51.8	52.9	56.5	60.4	49.2	50.2	53.7	57.4	45.5	46.5	49.7	53.2
	S/T	0.88	0.82	0.67	0.50	0.91	0.85	0.69	0.52	0.93	0.87	0.71	0.53	0.96	0.90	0.73	0.55	1.00	0.93	0.76	0.57	1.00	0.94	0.77	0.57
	DT	25	24	21	17	25	24	21	17	25	24	21	17	25	24	21	17	25	24	21	17	23	22	19	16
kW	3.52	3.59	3.70	3.82	3.79	3.87	3.99	4.12	4.03	4.11	4.25	4.39	4.24	4.33	4.47	4.62	4.42	4.51	4.66	4.82	4.57	4.67	4.83	4.99	
Amps	13.2	13.5	13.9	14.5	14.2	14.6	15.1	15.7	15.5	15.9	16.4	17.1	16.6	17.0	17.6	18.3	17.7	18.1	18.8	19.5	18.8	19.2	19.9	20.7	
Hi PR	209	225	238	248	235	253	267	278	267	287	303	316	304	327	346	360	342	368	389	405	378	407	429	448	
Lo PR	108	115	125	133	114	121	132	141	118	126	138	147	124	132	145	154	130	139	151	161	135	143	157	167	
MBh	52.9	54.0	57.7	61.7	51.6	52.8	56.4	60.2	50.4	51.5	55.0	58.8	49.2	50.2	53.7	57.4	46.7	47.7	51.0	54.5	43.3	44.2	47.2	50.5	
S/T	0.84	0.79	0.64	0.48	0.87	0.82	0.66	0.50	0.89	0.84	0.68	0.51	0.92	0.86	0.70	0.52	0.95	0.90	0.73	0.54	0.96	0.90	0.73	0.55	
DT	25	24	21	17	26	25	21	17	26	25	22	17	26	25	22	17	26	25	22	17	24	23	20	16	
kW	3.46	3.53	3.65	3.76	3.73	3.81	3.93	4.06	3.96	4.05	4.18	4.31	4.17	4.26	4.40	4.54	4.34	4.44	4.58	4.74	4.49	4.59	4.75	4.91	
Amps	12.9	13.2	13.7	14.2	14.0	14.3	14.8	15.4	15.2	15.6	16.1	16.7	16.3	16.7	17.3	17.9	17.4	17.8	18.4	19.1	18.4	18.9	19.5	20.3	
Hi PR	205	221	233	243	230	248	261	273	262	282	297	310	298	321	339	353	335	361	381	397	370	399	421	439	
Lo PR	106	112	123	131	112	119	130	138	116	123	135	144	122	130	142	151	128	136	148	158	132	141	154	163	

2000	MBh	57.5	58.6	61.3	65.4	56.1	57.2	59.9	63.9	54.8	55.8	58.5	62.4	53.4	54.5	57.1	60.9	50.8	51.8	54.2	57.8	47.0	47.9	50.2	53.6
	S/T	0.96	0.92	0.83	0.68	0.99	0.96	0.86	0.70	1.00	0.98	0.89	0.72	1.00	1.00	0.92	0.74	1.00	1.00	0.95	0.77	1.00	1.00	0.96	0.78
	DT	25	25	24	20	26	25	24	21	25	25	24	21	25	25	24	21	23	24	24	20	22	22	22	19
	kW	3.56	3.64	3.76	3.88	3.84	3.92	4.05	4.18	4.08	4.17	4.31	4.45	4.30	4.39	4.54	4.69	4.48	4.58	4.73	4.89	4.63	4.74	4.90	5.06
	Amps	13.4	13.7	14.2	14.7	14.5	14.8	15.3	15.9	15.8	16.2	16.7	17.3	16.9	17.3	17.9	18.6	18.0	18.4	19.1	19.8	19.1	19.6	20.2	21.0
	Hi PR	213	229	242	252	239	257	271	283	272	292	309	322	309	333	351	367	348	374	395	412	384	414	437	456
	Lo PR	110	117	127	136	116	123	135	143	120	128	140	149	127	135	147	157	133	141	154	164	137	146	159	170
	MBh	56.6	57.7	60.4	64.5	55.3	56.4	59.0	63.0	54.0	55.0	57.6	61.5	52.7	53.7	56.2	60.0	50.0	51.0	53.4	57.0	46.3	47.2	49.5	52.8
	S/T	0.92	0.89	0.80	0.65	0.95	0.92	0.83	0.67	0.98	0.94	0.85	0.69	1.00	0.97	0.88	0.71	1.00	1.00	0.91	0.74	1.00	1.00	0.92	0.74
	DT	27	26	25	21	27	26	25	22	27	26	25	22	27	27	25	22	26	26	25	21	24	24	23	20
kW	3.55	3.62	3.73	3.85	3.82	3.90	4.03	4.16	4.06	4.15	4.28	4.42	4.27	4.37	4.51	4.66	4.45	4.55	4.70	4.86	4.61	4.71	4.87	5.03	
Amps	13.3	13.6	14.1	14.6	14.4	14.7	15.2	15.8	15.7	16.0	16.6	17.2	16.8	17.2	17.8	18.5	17.9	18.3	18.9	19.7	19.0	19.4	20.1	20.9	
Hi PR	211	227	240	250	237	255	269	281	270	290	306	320	307	330	349	364	345	372	393	409	382	411	434	452	
Lo PR	109	116	127	135	115	122	134	142	120	127	139	148	126	134	146	155	132	140	153	163	136	145	158	168	
MBh	53.8	54.8	57.4	61.3	52.5	53.5	56.1	59.8	51.3	52.3	54.7	58.4	50.0	51.0	53.4	57.0	47.5	48.4	50.7	54.1	44.0	44.9	47.0	50.1	
S/T	0.88	0.85	0.77	0.62	0.91	0.88	0.79	0.64	0.93	0.90	0.81	0.66	0.96	0.93	0.84	0.68	1.00	0.97	0.87	0.71	1.00	0.97	0.88	0.71	
DT	27	27	25	22	27	27	26	22	28	27	26	22	28	27	26	22	27	27	25	22	25	25	24	21	
kW	3.49	3.56	3.67	3.79	3.76	3.84	3.96	4.09	3.99	4.08	4.21	4.35	4.20	4.29	4.43	4.58	4.38	4.47	4.62	4.78	4.53	4.63	4.79	4.95	
Amps	13.0	13.4	13.8	14.3	14.1	14.5	14.9	15.5	15.4	15.7	16.3	16.9	16.4	16.9	17.4	18.1	17.5	18.0	18.6	19.3	18.6	19.1	19.7	20.5	
Hi PR	207	223	235	245	232	250	264	275	264	284	300	313	301	324	342	357	339	364	385	401	374	403	425	443	
Lo PR	107	114	124	132	113	120	131	140	117	125	136	145	123	131	143	152	129	137	150	160	133	142	155	165	

IDB: Entering Indoor Dry Bulb Temperature  
 High and low pressures are measured at the liquid and suction service valves.  
 Shaded area reflects AHRl (TVA) conditions  
 kW = Total system power  
 Amps = outdoor unit amps (compressor + fan)

ASZC180361A\* / CA\*F3642C6A\*+TXV/ MBE1600\*\*-1 — LOW STAGE

	OUTDOOR AMBIENT TEMPERATURE																	
	65	60	55	50	47	45	40	35	30	25	20	17	15	10	5	0	-5	-10
MBh	30.8	29.2	27.4	25.6	24.5	23.7	22.0	20.3	18.0	16.6	15.3	14.5	13.9	12.5	11.1	9.7	8.3	6.8
ΔT	33.5	31.8	29.9	27.9	26.7	25.9	24.0	22.1	19.6	18.1	16.7	15.8	15.2	13.6	12.1	10.5	9.0	7.4
kW	1.98	1.94	1.90	1.86	1.8	1.81	1.77	1.73	1.78	1.74	1.69	1.67	1.65	1.60	1.56	1.51	1.47	1.42
Amps	9.5	8.8	8.2	7.7	7.5	7.3	6.9	6.5	6.2	6.0	5.7	5.5	5.5	5.2	4.8	4.5	4.2	3.7
COP	4.54	4.39	4.23	4.04	3.91	3.83	3.64	3.44	2.96	2.81	2.65	2.54	2.48	2.28	2.08	1.87	1.64	1.39
EER	15.5	15.0	14.4	13.8	13.4	13.1	12.4	11.7	10.1	9.6	9.1	8.7	8.5	7.8	7.1	6.4	5.6	4.7

ASZC180361A\* / CA\*F3642C6A\*+TXV/ MBE1600\*\*-1 — HIGH STAGE

	OUTDOOR AMBIENT TEMPERATURE																	
	65	60	55	50	47	45	40	35	30	25	20	17	15	10	5	0	-5	-10
MBh	44.5	42.2	39.7	37.1	35.4	34.3	31.9	29.4	27.5	25.4	23.4	22.0	21.2	19.1	16.9	14.7	12.6	10.3
ΔT	33.0	31.2	29.4	27.5	26.2	25.4	23.6	21.8	20.4	18.8	17.3	16.3	15.7	14.1	12.5	10.9	9.3	7.6
kW	2.81	2.75	2.69	2.63	2.6	2.57	2.52	2.46	2.43	2.37	2.32	2.28	2.26	2.20	2.14	2.08	2.02	1.97
Amps	12.8	11.8	11.1	10.4	10.0	9.8	9.2	8.7	8.3	8.0	7.6	7.4	7.3	6.9	6.4	6.0	5.5	4.9
COP	4.64	4.49	4.32	4.12	3.99	3.90	3.71	3.50	3.30	3.13	2.95	2.83	2.75	2.54	2.31	2.07	1.82	1.53
EER	15.9	15.3	14.8	14.1	13.6	13.3	12.7	12.0	11.3	10.7	10.1	9.7	9.4	8.7	7.9	7.1	6.2	5.2

ASZC180481A\* / CA\*F4860\*6A\*+TXV/ MBE2000\*\*- — LOW STAGE

	OUTDOOR AMBIENT TEMPERATURE																	
	65	60	55	50	47	45	40	35	30	25	20	17	15	10	5	0	-5	-10
MBh	43.8	41.4	39.0	36.5	34.8	33.7	31.3	28.9	27.0	25.0	23.0	21.7	20.9	18.7	16.6	14.5	12.4	10.1
ΔT	33.8	32.0	30.1	28.1	26.9	26.0	24.2	22.3	20.9	19.3	17.7	16.7	16.1	14.5	12.8	11.2	9.5	7.8
kW	2.67	2.62	2.56	2.50	2.5	2.44	2.39	2.33	2.44	2.38	2.32	2.28	2.26	2.19	2.13	2.07	2.01	1.95
Amps	12.7	11.7	10.9	10.2	9.8	9.6	9.0	8.5	8.1	7.7	7.2	7.0	6.9	6.5	6.0	5.6	5.1	4.5
COP	4.79	4.63	4.46	4.27	4.13	4.04	3.84	3.63	3.24	3.07	2.90	2.78	2.71	2.50	2.28	2.05	1.80	1.52
EER	16.4	15.8	15.2	14.6	14.1	13.8	13.1	12.4	11.1	10.5	9.9	9.5	9.3	8.5	7.8	7.0	6.2	5.2

ASZC180481A\* / CA\*F4860\*6A\*+TXV/ MBE2000\*\*-1 — HIGH STAGE

	OUTDOOR AMBIENT TEMPERATURE																	
	65	60	55	50	47	45	40	35	30	25	20	17	15	10	5	0	-5	-10
MBh	62.2	58.9	55.4	51.8	49.5	48.0	44.6	41.1	38.9	35.9	33.0	31.2	30.0	27.0	23.9	20.8	17.8	14.6
ΔT	32.9	31.2	29.3	27.4	26.2	25.4	23.6	21.7	20.6	19.0	17.5	16.5	15.9	14.3	12.6	11.0	9.4	7.7
kW	3.80	3.72	3.64	3.56	3.5	3.49	3.41	3.33	3.28	3.20	3.12	3.07	3.04	2.96	2.89	2.81	2.73	2.66
Amps	17.0	15.7	14.7	13.8	13.2	13.0	12.2	11.5	11.0	10.5	10.0	9.7	9.6	9.1	8.4	7.9	7.2	6.4
COP	4.80	4.64	4.46	4.26	4.12	4.03	3.82	3.61	3.47	3.29	3.10	2.97	2.89	2.66	2.42	2.17	1.90	1.61
EER	16.4	15.8	15.2	14.5	14.1	13.8	13.1	12.3	11.9	11.2	10.6	10.2	9.9	9.1	8.3	7.4	6.5	5.5

Calculations are based on nominal CFM and 70 °F indoor dry bulb.

Amps = Outdoor unit amps (comp.+fan)

Note: Shaded area is AHRI Rating Conditions at 47°F outdoor ambient temperature

kW = Total system power



**ASZC180601B\* / CAPF4961D6 / MBVC2000A — Low Stage**

	OUTDOOR AMBIENT TEMPERATURE																	
	65	60	55	50	47	45	40	35	30	25	20	17	15	10	5	0	-5	-10
MBh	49.8	47.1	44.4	41.5	39.6	38.4	35.6	32.9	29.8	27.5	25.3	23.9	23.0	20.7	18.3	16.0	13.6	11.2
T/R	38.4	36.4	34.2	32.0	30.6	29.6	27.5	25.4	23.0	21.2	19.5	18.5	17.8	15.9	14.1	12.3	10.5	8.6
kW	3.41	3.33	3.26	3.19	3.1	3.12	3.05	2.97	3.37	3.28	3.20	3.15	3.11	3.03	2.94	2.86	2.77	2.69
Amps	16.8	15.6	14.6	13.7	13.2	12.9	12.2	11.6	11.1	10.6	10.1	9.8	9.7	9.2	8.6	8.0	7.4	6.7
COP	4.28	4.14	3.98	3.81	3.68	3.60	3.42	3.24	2.59	2.45	2.32	2.22	2.17	2.00	1.82	1.64	1.44	1.22
EER	14.6	14.1	13.6	13.0	12.6	12.3	11.7	11.1	8.8	8.4	7.9	7.6	7.4	6.8	6.2	5.6	4.9	4.2

**ASZC180601B\* / CAPF4961D6 / MBVC2000A — High Stage**

	OUTDOOR AMBIENT TEMPERATURE																	
	65	60	55	50	47	45	40	35	30	25	20	17	15	10	5	0	-5	-10
MBh	71.0	67.2	63.3	59.2	56.5	54.7	50.9	46.9	43.6	40.3	37.1	35.0	33.7	30.2	26.8	23.4	20.0	16.3
T/R	36.5	34.6	32.6	30.4	29.1	28.2	26.2	24.1	22.4	20.7	19.1	18.0	17.3	15.6	13.8	12.0	10.3	8.4
kW	4.57	4.48	4.39	4.30	4.2	4.21	4.12	4.03	4.52	4.41	4.31	4.24	4.20	4.09	3.99	3.88	3.77	3.67
Amps	21.4	19.8	18.5	17.3	16.7	16.4	15.4	14.6	14.0	13.3	12.6	12.3	12.2	11.5	10.7	10.1	9.3	8.3
COP	4.55	4.39	4.22	4.03	3.90	3.81	3.61	3.41	2.82	2.67	2.52	2.41	2.35	2.16	1.97	1.76	1.55	1.30
EER	15.5	15.0	14.4	13.8	13.3	13.0	12.3	11.6	9.6	9.1	8.6	8.2	8.0	7.4	6.7	6.0	5.3	4.5

Calculations are based on nominal CFM and 70 °F indoor dry bulb.

Amps = Outdoor unit amps (comp.+fan)

Note: Shaded area is AHRI Rating Conditions at 47°F outdoor ambient temperature

kW = Total system power



**ENERGY STAR-CERTIFIED COMBINATIONS** <sup>^</sup>

OUTDOOR UNIT	INDOOR UNITS		COOLING RATINGS <sup>▶</sup>				TVA RATINGS <sup>3</sup>		HEATING RATINGS <sup>^</sup>			CFM	AHRI #
	COILS/AIR HANDLERS	FURNACES	TOTAL	SENS.	SEER <sup>1</sup>	EER <sup>2</sup>	TOTAL	SENS.	HI <sup>4</sup>	HSPF <sup>5</sup>	LOW <sup>6</sup>		
ASZC18 0361A*	CA*F3743*6D*+MBVC1600**-1A*+TXV		35,000	26,600	18.0	13.0	32,400	26,200	35,000	9.50	20,400	1,250	4415344
ASZC18 0481A*	CA*F4961*6D*+MBVC2000**-1A*+TXV		47,500	35,600	18.0	13.0	44,000	35,200	47,500	9.50	29,600	1,750	4612963
ASZC18 0601B*	CA*F4961*6D*+MBVC2000**-1A*+TXV		56,500	40,000	17.0	12.6	52,500	41,000	56,500	9.30	35,000	1,800	4732370

**<sup>^</sup> ENERGY STAR Notes**

- Proper sizing and installation of equipment is critical to achieve optimal performance. Split system air conditioners and heat pumps must be matched with appropriate coil components to meet ENERGY STAR® criteria. Ask your contractor for details or visit [www.energystar.gov](http://www.energystar.gov).
- The [www.energystar.gov](http://www.energystar.gov) website provides up-to-date system combinations certified to meet ENERGY STAR requirements.

▶ Rated in accordance with ANSI/AHRI Standard 210/240

<sup>1</sup> Seasonal Energy Efficiency Ratio

<sup>3</sup> TVA Rating: BTU/h @ 75°F/ 63°F - 95°F

<sup>5</sup> HSPF = Heating Seasonal Performance Factor

<sup>7</sup> CFM at High stage

<sup>2</sup> Energy Efficiency Ratio @ 80°F/ 67°F/ 95°F

<sup>4</sup> Rated heating capacity at 47°F outdoor per AHRI 210/240

<sup>6</sup> Heating capacity at 17°F outdoor

<sup>8</sup> CFM at Intermediate and low stage

**NOTES**

- Always check the S&R plate for electrical data on the unit being installed.
- When matching outdoor unit to indoor unit, use the piston supplied with the outdoor unit or that specified on the piston kit chart supplied with the indoor unit.
- EEP - Order from Service Dept. Part No. B13707-38 or new Solid State Board B13707-35S. Part No. B13707-38 is not interchangeable with B13707-35S. The Goodman brand gas furnace contains the EEP cooling time delay.

OUTDOOR UNIT	INDOOR UNITS		COOLING CAPACITY <sup>1</sup>				TVA RATINGS <sup>4</sup>		HEATING CAPACITY <sup>1</sup>			CFM	AHRI #
	COILS/AIR HANDLERS	FURNACES	TOTAL	SENS.	SEER <sup>2</sup>	EER <sup>3</sup>	TOTAL	SENS.	HI	HSPF <sup>5</sup>	LOW		
ASZC18 0361A*	AVPTC42D14A*		35,000	26,600	17.5	12.5	32,400	26,200	35,000	9.25	20,400	1,200	5933782
	AVPTC48D14A*		36,000	27,400	17.5	12.5	33,400	27,000	35,000	9.25	20,400	1,200	5933783
	AVPTC37D14A*		35,000	26,600	17.5	12.5	32,400	26,200	35,000	9.50	20,400	1,245	8996255
	CA*F3743*6D*+MBVC2000*-1A*+TXV		35,000	26,600	18.0	13.0	32,400	26,200	34,800	9.25	20,400	1,250	4415362
	CA*F3743*6D*+TXV	G*VC81005C*B*	34,600	26,200	17.5	12.5	32,000	26,000	35,000	9.30	20,000	1,210	5188512
	CA*F3743*6D*+TXV	A*VC81005C*B*	34,600	26,200	17.5	12.5	32,000	26,000	35,000	9.30	20,000	1,210	5188544
	CA*F3743*6D*+TXV	ADV81005C*B*	34,600	26,200	17.5	12.5	32,000	26,000	35,000	9.30	20,000	1,230	5188624
	CA*F3743*6D*+TXV	A*VC80603B*B*	34,600	26,200	17.4	12.5	32,000	26,000	34,800	9.30	20,000	1,170	6498641
	CA*F3743*6D*+TXV	A*VC80604B*B*	34,600	26,200	17.5	12.5	32,000	26,000	34,800	9.30	20,000	1,260	6498642
	CA*F3743*6D*+TXV	A*VC80805C*B*	34,600	26,200	17.5	12.5	32,000	26,000	34,800	9.30	20,000	1,250	6498643
	CA*F3743*6D*+TXV	ADV80805C*B*	34,600	26,200	17.5	12.5	32,000	26,000	35,000	9.30	20,000	1,250	6498644
	CA*F3743*6D*+TXV	G*VC80604B*B*	34,600	26,200	17.5	12.5	32,000	26,000	34,800	9.30	20,000	1,260	6498645
	CA*F3743*6D*+TXV	G*VC80805C*B*	34,600	26,200	17.5	12.5	32,000	26,000	34,800	9.30	20,000	1,250	6498646
	CA*F3743*6D*+TXV	G*VC960403BNA*	34,600	26,200	16.5	12.5	32,000	26,000	35,000	9.00	20,000	1,200	7364690
	CA*F3743*6D*+TXV	G*VC960603BNA*	34,600	26,200	16.5	12.5	32,000	26,000	35,000	9.00	20,000	1,200	7364694
	CA*F3743*6D*+TXV	G*VC960803BNA*	34,600	26,200	16.5	12.5	32,000	26,000	35,000	9.00	20,000	1,200	7364698
	CA*F3743*6D*+TXV	G*VC960804CNA*	34,600	26,200	17.0	12.5	32,000	26,000	35,000	9.00	20,000	1,200	7364702
	CA*F3743*6D*+TXV	G*VC961005CNA*	34,600	26,200	17.0	12.5	32,000	26,000	35,000	9.00	20,000	1,200	7364706
	CA*F3743*6D*+TXV	G*VM970603BNA*	34,600	26,200	16.5	12.5	32,000	26,000	35,000	9.00	20,000	1,200	7364720
	CA*F3743*6D*+TXV	G*VM970803BNA*	34,600	26,200	16.5	12.5	32,000	26,000	35,000	9.00	20,000	1,200	7364724
	CA*F3743*6D*+TXV	G*VM970804CNA*	34,600	26,200	17.0	12.5	32,000	26,000	35,000	9.00	20,000	1,200	7364728
	CA*F3743*6D*+TXV	G*VM971005CNA*	34,600	26,200	17.0	12.5	32,000	26,000	35,000	9.00	20,000	1,200	7364732
	CA*F3743*6D*+TXV	A*VC960403BNA*	34,600	26,200	16.5	12.5	32,000	26,000	35,000	9.00	20,000	1,200	7364744
	CA*F3743*6D*+TXV	A*VC960603BNA*	34,600	26,200	16.5	12.5	32,000	26,000	35,000	9.00	20,000	1,200	7364748
	CA*F3743*6D*+TXV	A*VC960803BNA*	34,600	26,200	16.5	12.5	32,000	26,000	35,000	9.00	20,000	1,200	7364752
	CA*F3743*6D*+TXV	A*VC960804CNA*	34,600	26,200	17.0	12.5	32,000	26,000	35,000	9.00	20,000	1,200	7364756
	CA*F3743*6D*+TXV	A*VC961005CNA*	34,600	26,200	17.0	12.5	32,000	26,000	35,000	9.00	20,000	1,200	7364760
	CA*F3743*6D*+TXV	A*VM970603BNA*	34,600	26,200	16.5	12.5	32,000	26,000	35,000	9.00	20,000	1,200	7364774
	CA*F3743*6D*+TXV	A*VM970803BNA*	34,600	26,200	16.5	12.5	32,000	26,000	35,000	9.00	20,000	1,200	7364778
	CA*F3743*6D*+TXV	A*VM970804CNA*	34,600	26,200	17.0	12.5	32,000	26,000	35,000	9.00	20,000	1,200	7364782
	CA*F3743*6D*+TXV	A*VM971005CNA*	34,600	26,200	17.0	12.5	32,000	26,000	35,000	9.00	20,000	1,200	7364786
	CA*F3743*6D*+TXV	G*EC960603BNA*	34,600	26,200	16.5	12.5	32,000	26,000	35,000	9.00	20,000	1,215	7368747
	CA*F3743*6D*+TXV	G*EC960803BNA*	34,600	26,200	16.5	12.5	32,000	26,000	35,000	9.00	20,000	1,275	7368751
	CA*F3743*6D*+TXV	A*EC960603BNA*	34,600	26,200	16.5	12.5	32,000	26,000	35,000	9.00	20,000	1,215	7368761
	CA*F3743*6D*+TXV	A*EC960803BNA*	34,600	26,200	16.5	12.5	32,000	26,000	35,000	9.00	20,000	1,275	7368765
	CA*F4860*6D*+TXV	A*VC80805C*B*	35,000	26,600	17.5	12.5	32,400	26,200	34,800	9.30	20,000	1,250	5188508
	CA*F4860*6D*+TXV	G*VC80805C*B*	35,000	26,600	17.5	12.5	32,400	26,200	34,800	9.30	20,000	1,250	5188513
	CA*F4860*6D*+TXV	ADV80805C*B*	35,000	26,600	17.5	12.5	32,400	26,200	35,000	9.30	20,000	1,250	5188604
	CA*F4961*6D*+MBVC1600*-1A*+TXV		35,000	26,600	18.0	13.0	32,400	26,200	35,000	9.50	20,000	1,250	4431604
	CA*F4961*6D*+MBVC2000*-1A*+TXV		35,000	26,600	18.0	13.0	32,400	26,200	35,000	9.25	20,400	1,250	4431605
	CA*F4961*6D*+TXV	G*VC80604B*B*	34,600	26,200	17.5	12.5	32,000	26,000	34,800	9.30	20,000	1,260	5188447
	CA*F4961*6D*+TXV	G*VC81005C*B*	34,600	26,200	17.5	12.5	32,000	26,000	35,000	9.30	20,000	1,210	5188468
	CA*F4961*6D*+TXV	A*VC80604B*B*	34,600	26,200	17.5	12.5	32,000	26,000	34,800	9.30	20,000	1,260	5188489
	CA*F4961*6D*+TXV	A*VC80805C*B*	34,600	26,200	17.5	12.5	32,000	26,000	34,800	9.30	20,000	1,250	5188490
	CA*F4961*6D*+TXV	A*VC81005C*B*	34,600	26,200	17.5	12.5	32,000	26,000	35,000	9.30	20,000	1,210	5188506
	CA*F4961*6D*+TXV	G*VC80805C*B*	34,600	26,200	17.5	12.5	32,000	26,000	34,800	9.30	20,000	1,250	5188514
	CA*F4961*6D*+TXV	ADV81005C*B*	34,600	26,200	17.5	12.5	32,000	26,000	35,000	9.30	20,000	1,230	5188592
	CA*F4961*6D*+TXV	ADV80805C*B*	34,600	26,200	17.5	12.5	32,000	26,000	35,000	9.30	20,000	1,250	5188611
	CA*F4961*6D*+TXV	G*VC960403BNA*	34,600	26,200	17.0	12.5	32,000	26,000	35,000	9.00	20,000	1,200	7364691
	CA*F4961*6D*+TXV	G*VC960603BNA*	34,600	26,200	17.0	12.5	32,000	26,000	35,000	9.00	20,000	1,200	7364695
CA*F4961*6D*+TXV	G*VC960803BNA*	34,600	26,200	17.0	12.5	32,000	26,000	35,000	9.00	20,000	1,200	7364699	
CA*F4961*6D*+TXV	G*VC960804CNA*	35,000	26,600	17.0	12.5	32,400	26,200	36,000	9.00	20,000	1,200	7364703	
CA*F4961*6D*+TXV	G*VC961005CNA*	35,000	26,600	17.0	12.5	32,400	26,200	36,000	9.00	20,000	1,200	7364707	
CA*F4961*6D*+TXV	G*VM970603BNA*	34,600	26,200	17.0	12.5	32,000	26,000	35,000	9.00	20,000	1,200	7364721	

See Notes on Page 22.

AHRI RATINGS (CONT.)

OUTDOOR UNIT	INDOOR UNITS		COOLING CAPACITY <sup>1</sup>				TVA RATINGS <sup>4</sup>		HEATING CAPACITY <sup>1</sup>			CFM	AHRI #
	COILS/AIR HANDLERS	FURNACES	TOTAL	SENS.	SEER <sup>2</sup>	EER <sup>3</sup>	TOTAL	SENS.	HI	HSPF <sup>5</sup>	LOW		
ASZC18 0361A* (cont.)	CA*F4961*6D*+TXV	G*VM970803BNA*	34,600	26,200	17.0	12.5	32,000	26,000	35,000	9.00	20,000	1,200	7364725
	CA*F4961*6D*+TXV	G*VM970804CNA*	35,000	26,600	17.0	12.5	32,400	26,200	36,000	9.00	20,000	1,200	7364729
	CA*F4961*6D*+TXV	G*VM971005CNA*	35,000	26,600	17.0	12.5	32,400	26,200	36,000	9.00	20,000	1,200	7364733
	CA*F4961*6D*+TXV	A*VC960403BNA*	34,600	26,200	17.0	12.5	32,000	26,000	35,000	9.00	20,000	1,200	7364745
	CA*F4961*6D*+TXV	A*VC960603BNA*	34,600	26,200	17.0	12.5	32,000	26,000	35,000	9.00	20,000	1,200	7364749
	CA*F4961*6D*+TXV	A*VC960803BNA*	34,600	26,200	17.0	12.5	32,000	26,000	35,000	9.00	20,000	1,200	7364753
	CA*F4961*6D*+TXV	A*VC960804CNA*	35,000	26,600	17.0	12.5	32,400	26,200	36,000	9.00	20,000	1,200	7364757
	CA*F4961*6D*+TXV	A*VC961005CNA*	35,000	26,600	17.0	12.5	32,400	26,200	36,000	9.00	20,000	1,200	7364761
	CA*F4961*6D*+TXV	A*VM970603BNA*	34,600	26,200	17.0	12.5	32,000	26,000	35,000	9.00	20,000	1,200	7364775
	CA*F4961*6D*+TXV	A*VM970803BNA*	34,600	26,200	17.0	12.5	32,000	26,000	35,000	9.00	20,000	1,200	7364779
	CA*F4961*6D*+TXV	A*VM970804CNA*	35,000	26,600	17.0	12.5	32,400	26,200	36,000	9.00	20,000	1,200	7364783
	CA*F4961*6D*+TXV	A*VM971005CNA*	35,000	26,600	17.0	12.5	32,400	26,200	36,000	9.00	20,000	1,200	7364787
	CA*F4961*6D*+TXV	G*EC960603BNA*	35,000	26,600	17.0	12.5	32,400	26,200	35,000	9.00	20,000	1,215	7368748
	CA*F4961*6D*+TXV	G*EC960803BNA*	35,000	26,600	17.0	12.5	32,400	26,200	35,000	9.00	20,000	1,275	7368752
	CA*F4961*6D*+TXV	A*EC960603BNA*	35,000	26,600	17.0	12.5	32,400	26,200	35,000	9.00	20,000	1,215	7368762
	CA*F4961*6D*+TXV	A*EC960803BNA*	35,000	26,600	17.0	12.5	32,400	26,200	35,000	9.00	20,000	1,275	7368766
	CHPF3743C6B*+MBVC1600**	-1A*+TXV	35,000	26,600	18.0	13.0	32,400	26,200	35,000	9.50	20,400	1,250	3611070
	CHPF3743C6B*+TXV	A*VC81005C*B*	34,600	26,200	17.0	12.5	32,000	26,000	35,000	9.30	20,000	1,210	5188462
	CHPF3743C6B*+TXV	G*VC81005C*B*	34,600	26,200	17.0	12.5	32,000	26,000	35,000	9.30	20,000	1,210	5188469
	CHPF3743C6B*+TXV	G*VC80604B*B*	34,600	26,200	17.0	12.5	32,000	26,000	34,800	9.30	20,000	1,260	5188476
	CHPF3743C6B*+TXV	A*VC80805C*B*	34,600	26,200	17.0	12.5	32,000	26,000	34,800	9.30	20,000	1,250	5188491
	CHPF3743C6B*+TXV	G*VC80805C*B*	34,600	26,200	17.0	12.5	32,000	26,000	34,800	9.30	20,000	1,250	5188515
	CHPF3743C6B*+TXV	A*VC80604B*B*	34,600	26,200	17.0	12.5	32,000	26,000	34,800	9.30	20,000	1,260	5188523
	CHPF3743C6B*+TXV	G*VC960403BNA*	34,600	26,200	16.5	12.0	32,000	26,000	35,000	9.00	20,000	1,200	7364692
	CHPF3743C6B*+TXV	G*VC960603BNA*	34,600	26,200	16.5	12.0	32,000	26,000	35,000	9.00	20,000	1,200	7364696
	CHPF3743C6B*+TXV	G*VC960803BNA*	34,600	26,200	16.5	12.0	32,000	26,000	35,000	9.00	20,000	1,200	7364700
	CHPF3743C6B*+TXV	G*VC960804CNA*	34,600	26,200	16.5	12.5	32,000	26,000	35,000	9.00	20,000	1,200	7364704
	CHPF3743C6B*+TXV	G*VC961005CNA*	34,600	26,200	16.5	12.5	32,000	26,000	35,000	9.00	20,000	1,200	7364708
	CHPF3743C6B*+TXV	G*VM970603BNA*	34,600	26,200	16.5	12.0	32,000	26,000	35,000	9.00	20,000	1,200	7364722
	CHPF3743C6B*+TXV	G*VM970803BNA*	34,600	26,200	16.5	12.0	32,000	26,000	35,000	9.00	20,000	1,200	7364726
	CHPF3743C6B*+TXV	G*VM970804CNA*	34,600	26,200	16.5	12.5	32,000	26,000	35,000	9.00	20,000	1,200	7364730
	CHPF3743C6B*+TXV	G*VM971005CNA*	34,600	26,200	16.5	12.5	32,000	26,000	35,000	9.00	20,000	1,200	7364734
	CHPF3743C6B*+TXV	A*VC960403BNA*	34,600	26,200	16.5	12.0	32,000	26,000	35,000	9.00	20,000	1,200	7364746
	CHPF3743C6B*+TXV	A*VC960603BNA*	34,600	26,200	16.5	12.0	32,000	26,000	35,000	9.00	20,000	1,200	7364750
	CHPF3743C6B*+TXV	A*VC960803BNA*	34,600	26,200	16.5	12.0	32,000	26,000	35,000	9.00	20,000	1,200	7364754
	CHPF3743C6B*+TXV	A*VC960804CNA*	34,600	26,200	16.5	12.5	32,000	26,000	35,000	9.00	20,000	1,200	7364758
	CHPF3743C6B*+TXV	A*VC961005CNA*	34,600	26,200	16.5	12.5	32,000	26,000	35,000	9.00	20,000	1,200	7364762
	CHPF3743C6B*+TXV	A*VM970603BNA*	34,600	26,200	16.5	12.0	32,000	26,000	35,000	9.00	20,000	1,200	7364776
	CHPF3743C6B*+TXV	A*VM970803BNA*	34,600	26,200	16.5	12.0	32,000	26,000	35,000	9.00	20,000	1,200	7364780
	CHPF3743C6B*+TXV	A*VM970804CNA*	34,600	26,200	16.5	12.5	32,000	26,000	35,000	9.00	20,000	1,200	7364784
	CHPF3743C6B*+TXV	A*VM971005CNA*	34,600	26,200	16.5	12.5	32,000	26,000	35,000	9.00	20,000	1,200	7364788
	CHPF3743C6B*+TXV	G*EC960603BNA*	34,600	26,200	16.5	12.0	32,000	26,000	35,000	9.00	20,000	1,215	7368749
	CHPF3743C6B*+TXV	G*EC960803BNA*	34,600	26,200	16.5	12.0	32,000	26,000	35,000	9.00	20,000	1,275	7368753
	CHPF3743C6B*+TXV	A*EC960603BNA*	34,600	26,200	16.5	12.0	32,000	26,000	35,000	9.00	20,000	1,215	7368763
	CHPF3743C6B*+TXV	A*EC960803BNA*	34,600	26,200	16.5	12.0	32,000	26,000	35,000	9.00	20,000	1,275	7368767
	CHPF3743D6B*+MBVC2000**	-1A*+TXV	35,000	26,600	18.0	13.0	32,400	26,200	35,000	9.25	20,000	1,250	3611071
	CHPF3743D6B*+TXV	G*VC81005C*B*	34,600	26,200	17.0	12.5	32,000	26,000	35,000	9.30	20,000	1,210	5188470
	CHPF3743D6B*+TXV	G*VC80805C*B*	34,600	26,200	17.0	12.5	32,000	26,000	34,800	9.30	20,000	1,250	5188477
	CHPF3743D6B*+TXV	A*VC80805C*B*	34,600	26,200	17.0	12.5	32,000	26,000	34,800	9.30	20,000	1,250	5188547
	CHPF3743D6B*+TXV	A*VC81005C*B*	34,600	26,200	17.0	12.5	32,000	26,000	35,000	9.30	20,000	1,210	5188548
CHPF4860D6D*+MBVC2000**	-1A*+TXV	35,000	26,600	18.0	13.0	32,400	26,200	35,000	9.25	20,000	1,250	3611072	
CHPF4860D6D*+TXV	A*VC81005C*B*	34,600	26,200	17.5	12.5	32,000	26,000	35,000	9.30	20,000	1,210	5188463	
CHPF4860D6D*+TXV	G*VC80805C*B*	34,600	26,200	17.5	12.5	32,000	26,000	34,800	9.30	20,000	1,250	5188471	
CHPF4860D6D*+TXV	G*VC81005C*B*	34,600	26,200	17.5	12.5	32,000	26,000	35,000	9.30	20,000	1,210	5188472	

See Notes on Page 22.

OUTDOOR UNIT	INDOOR UNITS		COOLING CAPACITY <sup>1</sup>				TVA RATINGS <sup>4</sup>		HEATING CAPACITY <sup>1</sup>			CFM	AHRI #
	COILS/AIR HANDLERS	FURNACES	TOTAL	SENS.	SEER <sup>2</sup>	EER <sup>3</sup>	TOTAL	SENS.	HI	HSPF <sup>5</sup>	LOW		
ASZC18 0361A* (cont.)	CHPF4860D6D*+TXV	A*VC80805C*B*	34,600	26,200	17.5	12.5	32,000	26,000	34,800	9.30	20,000	1,250	5188524
	CHPF4860D6D*+TXV	G*VC960403BNA*	34,600	26,200	16.5	12.0	32,000	26,000	35,000	9.00	20,000	1,200	7364693
	CHPF4860D6D*+TXV	G*VC960603BNA*	34,600	26,200	16.5	12.0	32,000	26,000	35,000	9.00	20,000	1,200	7364697
	CHPF4860D6D*+TXV	G*VC960803BNA*	34,600	26,200	16.5	12.0	32,000	26,000	35,000	9.00	20,000	1,200	7364701
	CHPF4860D6D*+TXV	G*VC960804CNA*	35,000	26,600	16.5	12.0	32,400	26,200	35,000	9.00	20,000	1,200	7364705
	CHPF4860D6D*+TXV	G*VC961005CNA*	35,000	26,600	16.5	12.0	32,400	26,200	35,000	9.00	20,000	1,200	7364709
	CHPF4860D6D*+TXV	G*VM970603BNA*	34,600	26,200	16.5	12.0	32,000	26,000	35,000	9.00	20,000	1,200	7364723
	CHPF4860D6D*+TXV	G*VM970803BNA*	34,600	26,200	16.5	12.0	32,000	26,000	35,000	9.00	20,000	1,200	7364727
	CHPF4860D6D*+TXV	G*VM970804CNA*	35,000	26,600	16.5	12.0	32,400	26,200	35,000	9.00	20,000	1,200	7364731
	CHPF4860D6D*+TXV	G*VM971005CNA*	35,000	26,600	16.5	12.0	32,400	26,200	35,000	9.00	20,000	1,200	7364735
	CHPF4860D6D*+TXV	A*VC960403BNA*	34,600	26,200	16.5	12.0	32,000	26,000	35,000	9.00	20,000	1,200	7364747
	CHPF4860D6D*+TXV	A*VC960603BNA*	34,600	26,200	16.5	12.0	32,000	26,000	35,000	9.00	20,000	1,200	7364751
	CHPF4860D6D*+TXV	A*VC960803BNA*	34,600	26,200	16.5	12.0	32,000	26,000	35,000	9.00	20,000	1,200	7364755
	CHPF4860D6D*+TXV	A*VC960804CNA*	35,000	26,600	16.5	12.0	32,400	26,200	35,000	9.00	20,000	1,200	7364759
	CHPF4860D6D*+TXV	A*VC961005CNA*	35,000	26,600	16.5	12.0	32,400	26,200	35,000	9.00	20,000	1,200	7364763
	CHPF4860D6D*+TXV	A*VM970603BNA*	34,600	26,200	16.5	12.0	32,000	26,000	35,000	9.00	20,000	1,200	7364777
	CHPF4860D6D*+TXV	A*VM970803BNA*	34,600	26,200	16.5	12.0	32,000	26,000	35,000	9.00	20,000	1,200	7364781
	CHPF4860D6D*+TXV	A*VM970804CNA*	35,000	26,600	16.5	12.0	32,400	26,200	35,000	9.00	20,000	1,200	7364785
	CHPF4860D6D*+TXV	A*VM971005CNA*	35,000	26,600	16.5	12.0	32,400	26,200	35,000	9.00	20,000	1,200	7364789
	CHPF4860D6D*+TXV	G*EC960603BNA*	35,000	26,600	16.5	12.0	32,400	26,200	35,000	9.00	20,000	1,215	7368750
CHPF4860D6D*+TXV	G*EC960803BNA*	35,000	26,600	17.0	12.5	32,400	26,200	35,000	9.00	20,000	1,275	7368754	
CHPF4860D6D*+TXV	A*EC960603BNA*	35,000	26,600	16.5	12.0	32,400	26,200	35,000	9.00	20,000	1,215	7368764	
CHPF4860D6D*+TXV	A*EC960803BNA*	35,000	26,600	17.0	12.5	32,400	26,200	35,000	9.00	20,000	1,275	7368768	
ASZC18 0481A*	AVPTC48D14A*		47,000	35,400	17.5	12.5	43,500	34,800	47,000	9.25	29,000	1,700	5933784
	AVPTC61D14A*		46,500	35,000	17.5	12.0	43,000	34,400	47,000	9.5	29,000	1,610	8996256
	CA*F4961*6D*+MBVC1600**-1A*+TXV		47,000	35,400	17.5	12.5	43,500	34,800	47,000	9.25	29,000	1,750	4431618
	CA*F4961*6D*+TXV	G*VC80805C*B*	47,000	35,400	17.5	12.5	43,500	34,800	47,000	9.30	29,000	1,590	5188478
	CA*F4961*6D*+TXV	G*VC81005C*B*	47,000	35,400	17.0	12.2	43,500	34,800	47,000	9.30	29,000	1,610	5188482
	CA*F4961*6D*+TXV	A*VC81005C*B*	47,000	35,400	17.0	12.2	43,500	34,800	47,000	9.30	29,000	1,610	5188492
	CA*F4961*6D*+TXV	A*VC80805C*B*	47,000	35,400	17.5	12.5	43,500	34,800	47,000	9.30	29,000	1,590	5188549
	CA*F4961*6D*+TXV	ADVC81005C*B*	47,000	35,400	17.0	12.2	43,500	34,800	47,000	9.30	29,000	1,620	5188637
	CA*F4961*6D*+TXV	ADVC80805C*B*	47,000	35,400	17.5	12.5	43,500	34,800	47,000	9.30	29,000	1,580	5188644
	CA*F4961*6D*+TXV	G*VC960804CNA*	47,000	35,400	17.0	12.5	43,500	34,800	47,000	9.00	29,000	1,500	7364710
	CA*F4961*6D*+TXV	G*VC961005CNA*	47,000	35,400	16.5	12.0	43,500	34,800	47,000	9.00	29,000	1,530	7364712
	CA*F4961*6D*+TXV	G*VC961205DNA*	47,000	35,400	17.0	12.5	43,500	34,800	47,000	9.00	29,000	1,600	7364714
	CA*F4961*6D*+TXV	G*VM970804CNA*	47,000	35,400	17.0	12.5	43,500	34,800	47,000	9.00	29,000	1,500	7364736
	CA*F4961*6D*+TXV	G*VM971005CNA*	47,000	35,400	16.5	12.0	43,500	34,800	47,000	9.00	29,000	1,530	7364738
	CA*F4961*6D*+TXV	A*VC960804CNA*	47,000	35,400	17.0	12.5	43,500	34,800	47,000	9.00	29,000	1,500	7364764
	CA*F4961*6D*+TXV	A*VC961005CNA*	47,000	35,400	16.5	12.0	43,500	34,800	47,000	9.00	29,000	1,530	7364766
	CA*F4961*6D*+TXV	A*VC961205DNA*	47,000	35,400	17.0	12.5	43,500	34,800	47,000	9.00	29,000	1,600	7364768
	CA*F4961*6D*+TXV	A*VM970804CNA*	47,000	35,400	17.0	12.5	43,500	34,800	47,000	9.00	29,000	1,500	7364790
	CA*F4961*6D*+TXV	A*VM971005CNA*	47,000	35,400	16.5	12.0	43,500	34,800	47,000	9.00	29,000	1,530	7364792
	CA*F4961*6D*+TXV	G*EC961004CNA*	47,000	35,400	16.5	12.0	43,500	34,800	47,000	9.00	29,000	1,500	7368755
	CA*F4961*6D*+TXV	G*EC961205DNA*	47,000	35,400	17.0	12.5	43,500	34,800	47,000	9.00	29,000	1,650	7368757
	CA*F4961*6D*+TXV	A*EC961004CNA*	47,000	35,400	16.5	12.0	43,500	34,800	47,000	9.00	29,000	1,500	7368769
	CA*F4961*6D*+TXV	A*EC961205DNA*	47,000	35,400	17.0	12.5	43,500	34,800	47,000	9.00	29,000	1,650	7368771
	CHPF4860D6D*+MBVC2000**-1A*+TXV		47,500	35,600	18.0	13.0	44,000	35,200	47,500	9.50	29,600	1,750	3611082
	CHPF4860D6D*+TXV	A*VC80805C*B*	47,000	35,400	17.5	12.5	43,500	34,800	47,000	9.30	29,000	1,590	5188464
	CHPF4860D6D*+TXV	G*VC80805C*B*	47,000	35,400	17.5	12.5	43,500	34,800	47,000	9.30	29,000	1,590	5188516
	CHPF4860D6D*+TXV	G*VC81005C*B*	47,000	35,400	17.0	12.2	43,500	34,800	47,000	9.30	29,000	1,610	5188534
	CHPF4860D6D*+TXV	A*VC81005C*B*	47,000	35,400	17.0	12.2	43,500	34,800	47,000	9.30	29,000	1,610	5188550
CHPF4860D6D*+TXV	G*VC960804CNA*	47,000	35,400	17.0	12.5	43,500	34,800	47,000	9.00	29,000	1,500	7364711	
CHPF4860D6D*+TXV	G*VC961005CNA*	47,000	35,400	16.5	12.0	43,500	34,800	47,000	9.00	29,000	1,530	7364713	
CHPF4860D6D*+TXV	G*VC961205DNA*	47,000	35,400	17.0	12.5	43,500	34,800	47,000	9.00	29,000	1,600	7364715	

See Notes on Page 22.

AHRI RATINGS (CONT.)

OUTDOOR UNIT	INDOOR UNITS		COOLING CAPACITY <sup>1</sup>				TVA RATINGS <sup>4</sup>		HEATING CAPACITY <sup>1</sup>			CFM	AHRI #	
	COILS/AIR HANDLERS	FURNACES	TOTAL	SENS.	SEER <sup>2</sup>	EER <sup>3</sup>	TOTAL	SENS.	HI	HSPF <sup>5</sup>	LOW			
ASZC18 0481A*	CHPF4860D6D*+TXV	G*VM970804CNA*	47,000	35,400	17.0	12.5	43,500	34,800	47,000	9.00	29,000	1,500	7364737	
	CHPF4860D6D*+TXV	G*VM971005CNA*	47,000	35,400	16.5	12.0	43,500	34,800	47,000	9.00	29,000	1,530	7364739	
	CHPF4860D6D*+TXV	A*VC960804CNA*	47,000	35,400	17.0	12.5	43,500	34,800	47,000	9.00	29,000	1,500	7364765	
	CHPF4860D6D*+TXV	A*VC961005CNA*	47,000	35,400	16.5	12.0	43,500	34,800	47,000	9.00	29,000	1,530	7364767	
	CHPF4860D6D*+TXV	A*VC961205DNA*	47,000	35,400	17.0	12.5	43,500	34,800	47,000	9.00	29,000	1,600	7364769	
	CHPF4860D6D*+TXV	A*VM970804CNA*	47,000	35,400	17.0	12.5	43,500	34,800	47,000	9.00	29,000	1,500	7364791	
	CHPF4860D6D*+TXV	A*VM971005CNA*	47,000	35,400	16.5	12.0	43,500	34,800	47,000	9.00	29,000	1,530	7364793	
	CHPF4860D6D*+TXV	G*EC961004CNA*	47,000	35,400	16.5	12.0	43,500	34,800	47,000	9.00	29,000	1,500	7368756	
	CHPF4860D6D*+TXV	G*EC961205DNA*	47,000	35,400	17.0	12.5	43,500	34,800	47,000	9.00	29,000	1,650	7368758	
	CHPF4860D6D*+TXV	A*EC961004CNA*	47,000	35,400	16.5	12.0	43,500	34,800	47,000	9.00	29,000	1,500	7368770	
	CHPF4860D6D*+TXV	A*EC961205DNA*	47,000	35,400	17.0	12.5	43,500	34,800	47,000	9.00	29,000	1,650	7368772	
ASZC18 0601B*	AVPTC60D14A*		56,000	40,000	16.5	12.0	52,000	40,500	56,000	9.00	34,600	1,800	5933785	
	AVPTC61D14A*		55,000	39,000	16.5	12.2	51,000	40,000	56,000	9.5	34,600	1,800	8996257	
	CA*F4961*6D*+TXV	G*VC81005C*B*	55,500	39,500	16.7	12.0	51,500	40,000	56,000	9.30	34,600	1,800	5188479	
	CA*F4961*6D*+TXV	G*VC80805C*B*	55,500	39,500	16.7	12.0	51,500	40,000	55,500	9.30	34,400	1,590	5188517	
	CA*F4961*6D*+TXV	A*VC80805C*B*	55,500	39,500	16.7	12.0	51,500	40,000	55,500	9.30	34,400	1,590	5188525	
	CA*F4961*6D*+TXV	A*VC81005C*B*	55,500	39,500	16.7	12.0	51,500	40,000	56,000	9.30	34,600	1,800	5188551	
	CA*F4961*6D*+TXV	ADVC81005C*B*	55,500	39,500	16.5	12.0	51,500	40,000	56,000	9.30	34,600	1,820	5188559	
	CA*F4961*6D*+TXV	ADVC80805C*B*	55,500	39,500	16.5	12.0	51,500	40,000	55,500	9.30	34,400	1,580	5188606	
	CA*F4961*6D*+TXV	G*VC961005CNA*	55,000	39,000	16.0	12.0	51,000	40,000	56,000	9.00	34,000	1,600	7364716	
	CA*F4961*6D*+TXV	G*VC961205DNA*	55,000	39,000	16.0	12.0	51,000	40,000	56,000	9.00	34,000	1,600	7364718	
	CA*F4961*6D*+TXV	G*VM971005CNA*	55,000	39,000	16.0	12.0	51,000	40,000	56,000	9.00	34,000	1,600	7364740	
	CA*F4961*6D*+TXV	A*VC961005CNA*	55,000	39,000	16.0	12.0	51,000	40,000	56,000	9.00	34,000	1,600	7364770	
	CA*F4961*6D*+TXV	A*VC961205DNA*	55,000	39,000	16.0	12.0	51,000	40,000	56,000	9.00	34,000	1,600	7364772	
	CA*F4961*6D*+TXV	A*VM971005CNA*	55,000	39,000	16.0	12.0	51,000	40,000	56,000	9.00	34,000	1,600	7364794	
	CA*F4961*6D*+TXV	G*VM971205DNA*	55,000	39,000	16.0	12.0	51,000	40,000	56,000	9.00	34,000	1,600	7364859	
	CA*F4961*6D*+TXV	A*VM971205DNA*	55,000	39,000	16.0	12.0	51,000	40,000	56,000	9.00	34,000	1,600	7364861	
	CA*F4961*6D*+TXV	G*EC961205DNA*	55,500	39,500	16.0	12.0	51,500	40,000	56,000	9.00	34,000	1,650	7368759	
	CA*F4961*6D*+TXV	A*EC961205DNA*	55,500	39,500	16.0	12.0	51,500	40,000	56,000	9.00	34,000	1,650	7368773	
	CHPF4860D6D*+MBVC2000**	-1A*+TXV		55,500	39,500	17.0	12.8	51,500	40,000	55,500	9.30	34,000	1,600	4236620
	CHPF4860D6D*+TXV	G*VC80805C*B*		55,500	39,500	16.5	12.0	51,500	40,000	55,500	9.30	34,200	1,590	5188480
	CHPF4860D6D*+TXV	A*VC80805C*B*		55,500	39,500	16.5	12.0	51,500	40,000	55,500	9.30	34,200	1,590	5188493
	CHPF4860D6D*+TXV	A*VC81005C*B*		55,000	39,000	16.9	12.0	51,000	40,000	56,000	9.30	34,400	1,800	5188526
	CHPF4860D6D*+TXV	G*VC81005C*B*		55,000	39,000	16.9	12.0	51,000	40,000	56,000	9.30	34,400	1,800	5188537
	CHPF4860D6D*+TXV	G*VC961005CNA*		55,000	39,000	15.5	12.0	51,000	40,000	56,000	9.00	34,000	1,600	7364717
	CHPF4860D6D*+TXV	G*VC961205DNA*		55,000	39,000	15.5	12.0	51,000	40,000	56,000	9.00	34,000	1,600	7364719
	CHPF4860D6D*+TXV	G*VM971005CNA*		55,000	39,000	15.5	12.0	51,000	40,000	56,000	9.00	34,000	1,600	7364741
	CHPF4860D6D*+TXV	A*VC961005CNA*		55,000	39,000	15.5	12.0	51,000	40,000	56,000	9.00	34,000	1,600	7364771
	CHPF4860D6D*+TXV	A*VC961205DNA*		55,000	39,000	15.5	12.0	51,000	40,000	56,000	9.00	34,000	1,600	7364773
	CHPF4860D6D*+TXV	A*VM971005CNA*		55,000	39,000	15.5	12.0	51,000	40,000	56,000	9.00	34,000	1,600	7364795
	CHPF4860D6D*+TXV	G*VM971205DNA*		55,000	39,000	15.5	12.0	51,000	40,000	56,000	9.00	34,000	1,600	7364860
	CHPF4860D6D*+TXV	A*VM971205DNA*		55,000	39,000	15.5	12.0	51,000	40,000	56,000	9.00	34,000	1,600	7364862
	CHPF4860D6D*+TXV	G*EC961205DNA*		55,000	39,000	15.5	12.0	51,000	40,000	56,000	9.00	34,000	1,650	7368760
	CHPF4860D6D*+TXV	A*EC961205DNA*		55,000	39,000	15.5	12.0	51,000	40,000	56,000	9.00	34,000	1,650	7368774

<sup>1</sup> Rated in accordance with ANSI/AHRI Standard 210/240

<sup>3</sup> Seasonal Energy Efficiency Ratio

<sup>4</sup> TVA Rating: BTU/h @ 75°F/ 63°F - 95°F

<sup>5</sup> HSPF = Heating Seasonal Performance Factor

<sup>7</sup> CFM at High stage

<sup>2</sup> Energy Efficiency Ratio @ 80°F/ 67°F/ 95°F

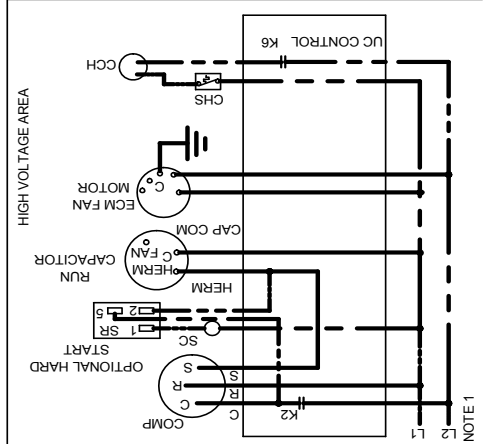
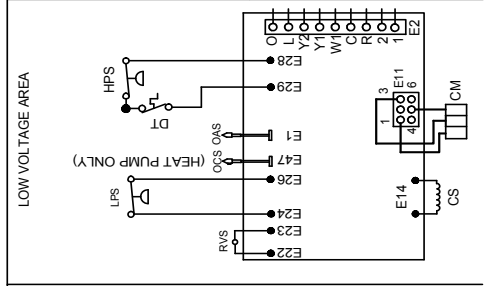
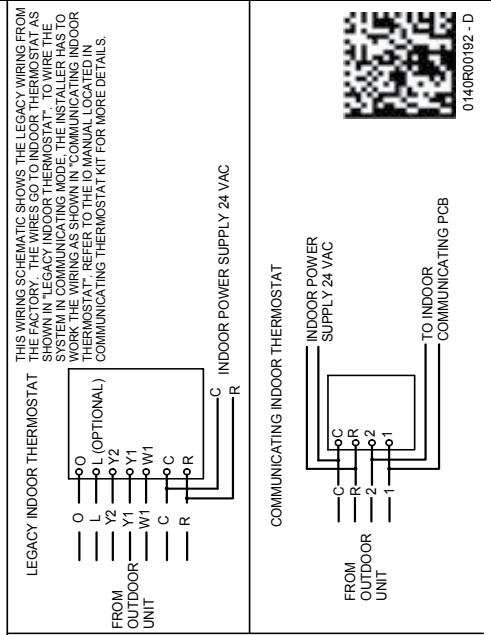
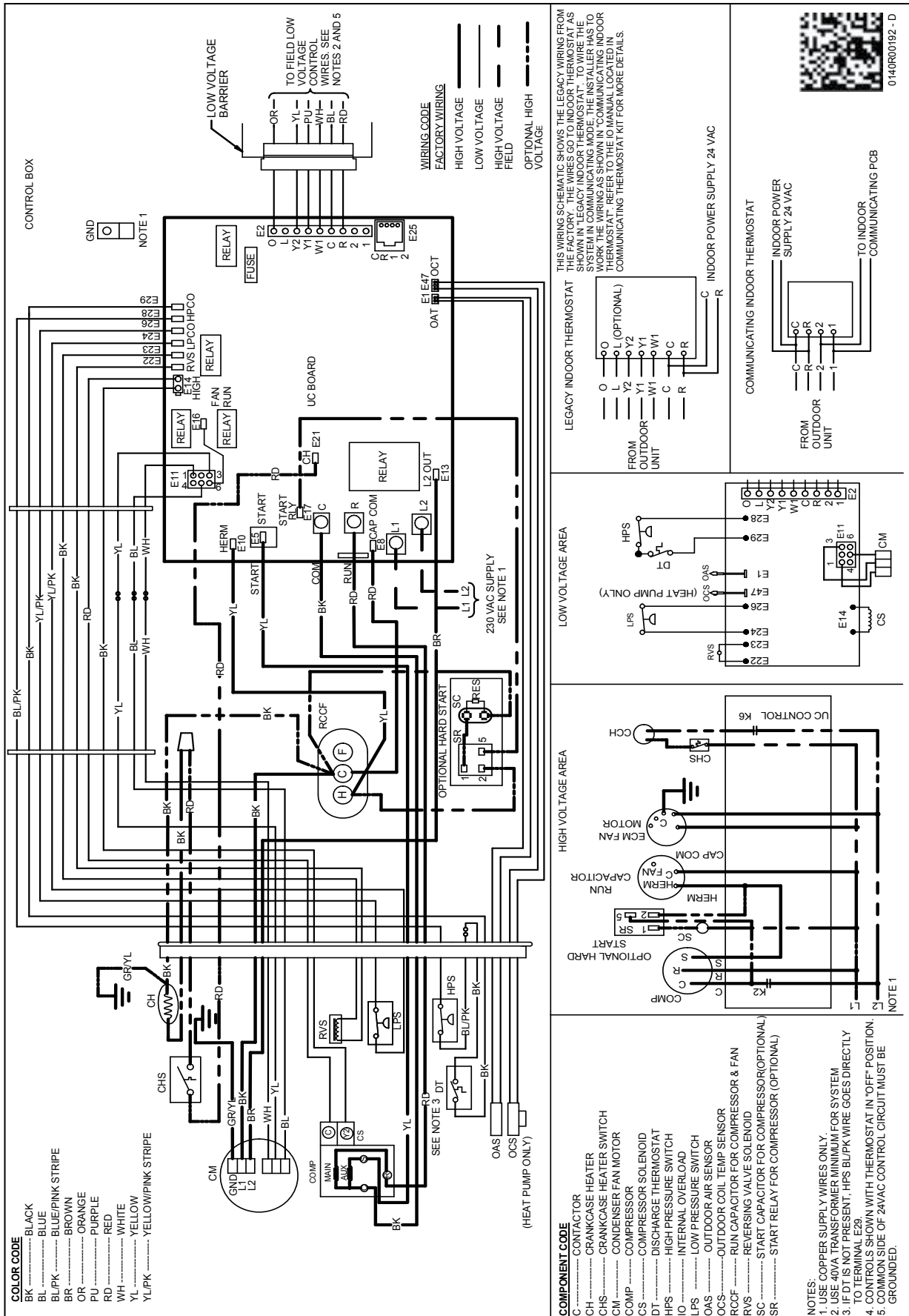
<sup>4</sup> Rated heating capacity at 47°F outdoor per AHRI 210/240

<sup>6</sup> Heating capacity at 17°F outdoor

<sup>8</sup> CFM at Intermediate and low stage

**NOTES**

- Always check the S&R plate for electrical data on the unit being installed.
- When matching outdoor unit to indoor unit, use the piston supplied with the outdoor unit or that specified on the piston kit chart supplied with the indoor unit.
- EEP - Order from Service Dept. Part No. B13707-38 or new Solid State Board B13707-35S. Part No. B13707-38 is not interchangeable with B13707-35S. The Amana brand gas furnace contains the EEP cooling time delay.



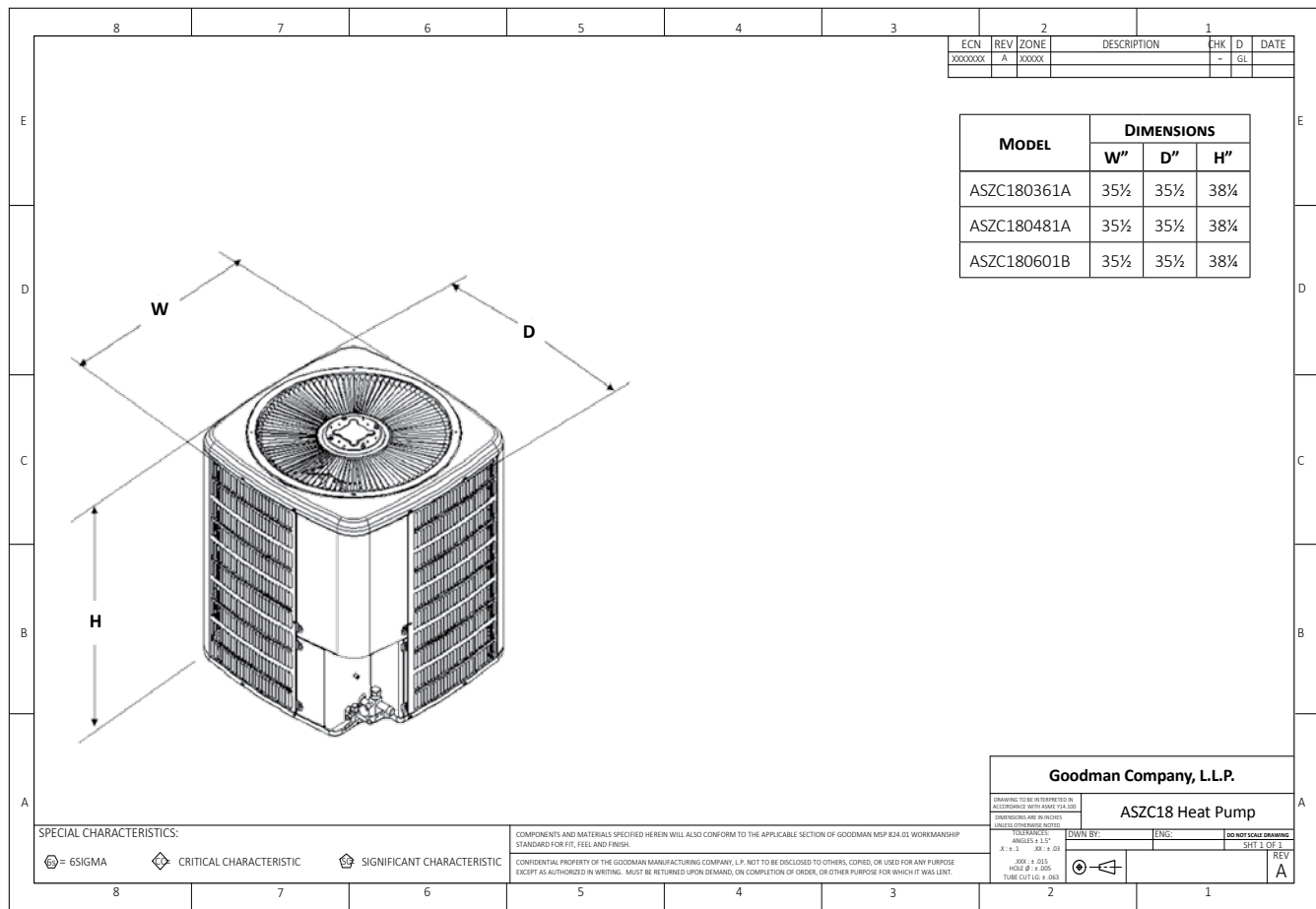
**NOTES:**  
 1. USE COPPER SUPPLY WIRES ONLY  
 2. USE 40VA TRANSFORMER MINIMUM FOR SYSTEM  
 3. IF DT IS NOT PRESENT, HPS BL/PK WIRE GOES DIRECTLY TO TERMINAL E23  
 4. CONTROLS SHOWN WITH THERMOSTAT IN "OFF" POSITION.  
 5. COMMON SIDE OF 24VAC CONTROL CIRCUIT MUST BE GROUNDED.

**WARNING**

High Voltage: Disconnect all power before servicing or installing this unit. Multiple power sources may be present. Failure to do so may cause property damage, personal injury, or death.



## DIMENSIONS



## ACCESSORIES

MODEL	DESCRIPTION	ASZC18 036**	ASZC18 048**	ASZC18 060**
ABK-20	Anchor Bracket Kit <sup>o</sup>	X	X	X
B1141643 <sup>1</sup>	24V Transformer	X	X	X
CSR-U-1	Hard-start Kit	X	X	
CSR-U-2	Hard-start Kit			
CSR-U-3	Hard-start Kit			X
FSK01A <sup>2</sup>	Freeze Protection Kit	X	X	X
OT18-60A <sup>3</sup>	Outdoor Thermostat/Lockout Thermostat	X	X	X
TX2N4 <sup>4</sup>	TXV Kit			
TX2N4A <sup>4</sup>	TXV Kit			
TX3N4 <sup>4</sup>	TXV Kit	X		
TX5N4 <sup>4</sup>	TXV Kit		X	X

<sup>o</sup> Contains 20 brackets; four brackets needed to anchor unit to pad

<sup>1</sup> Available in 24V legacy mode only. This feature is integrated in the communicating mode.

<sup>2</sup> Installed on indoor coil

<sup>3</sup> Available in 24V legacy mode only. This feature is integrated in the communicating mode. Required for heat pump applications where ambient temperature falls below 0°F with 50% or higher relative humidity.

<sup>4</sup> Condensing units and heat pumps with reciprocating compressors require the use of start-assist components when used in conjunction with an indoor coil using a non-bleed thermal expansion valve refrigerant metering device or liquid line solenoid kit. The TXV should always be sized based on the tonnage of the outdoor unit.