



www.Source1Parts.com

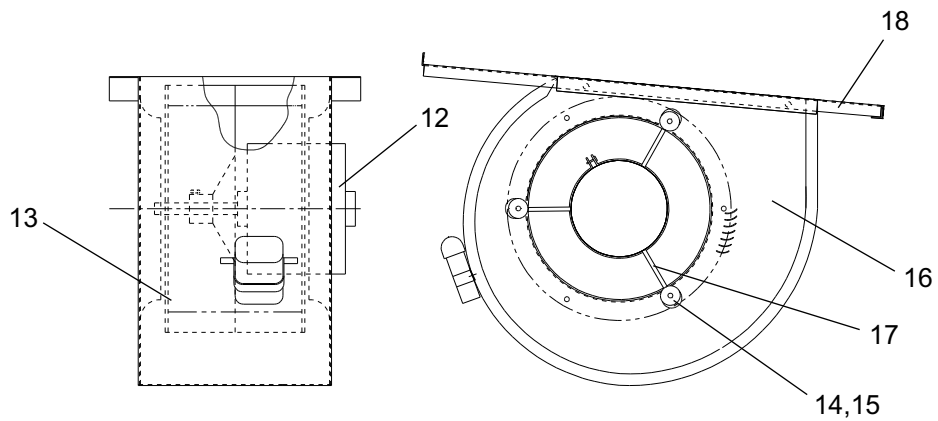
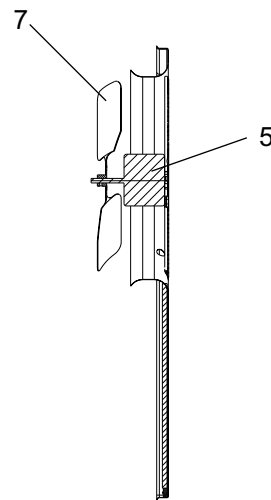
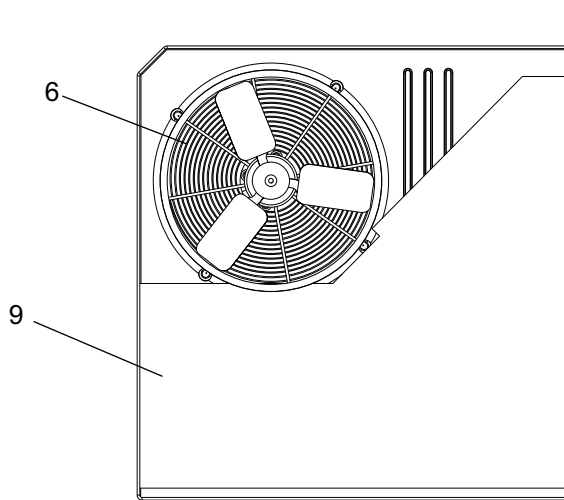
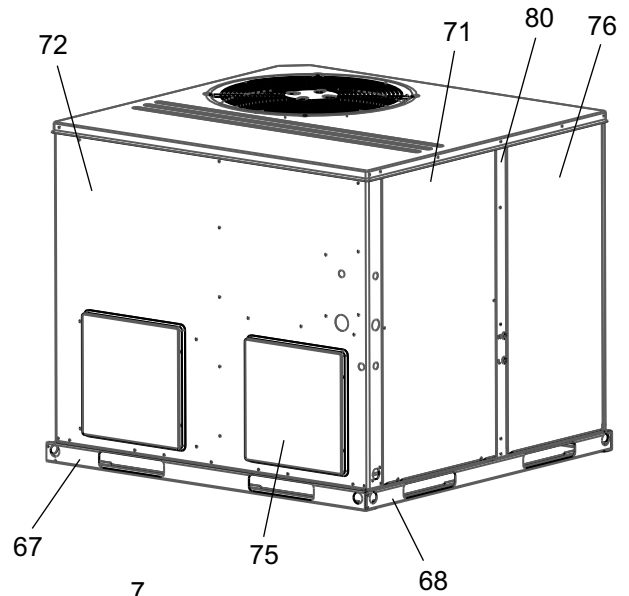
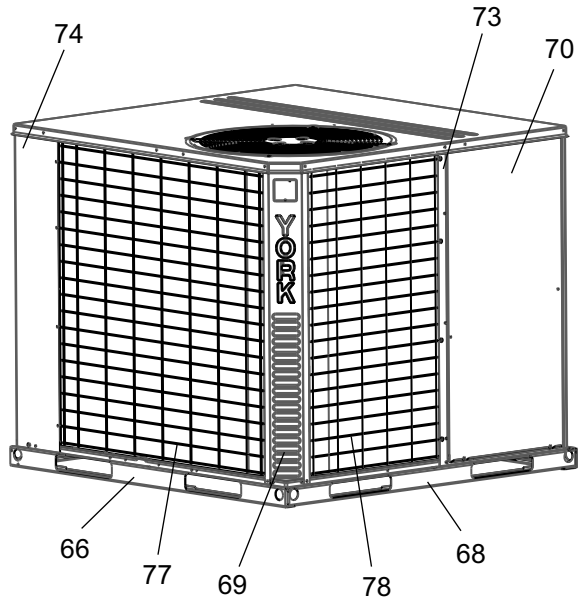
# D1EQ SERIES - 14 SEER SINGLE PACKAGED ELECTRIC/ELECTRIC AIR CONDITIONER (R-410A, STYLE A,B)

HVAC SERVICE PARTS

Supersedes:035-23385-001 Rev. A (0212)

035-23385-001 Rev. B (0612)

1 of 8



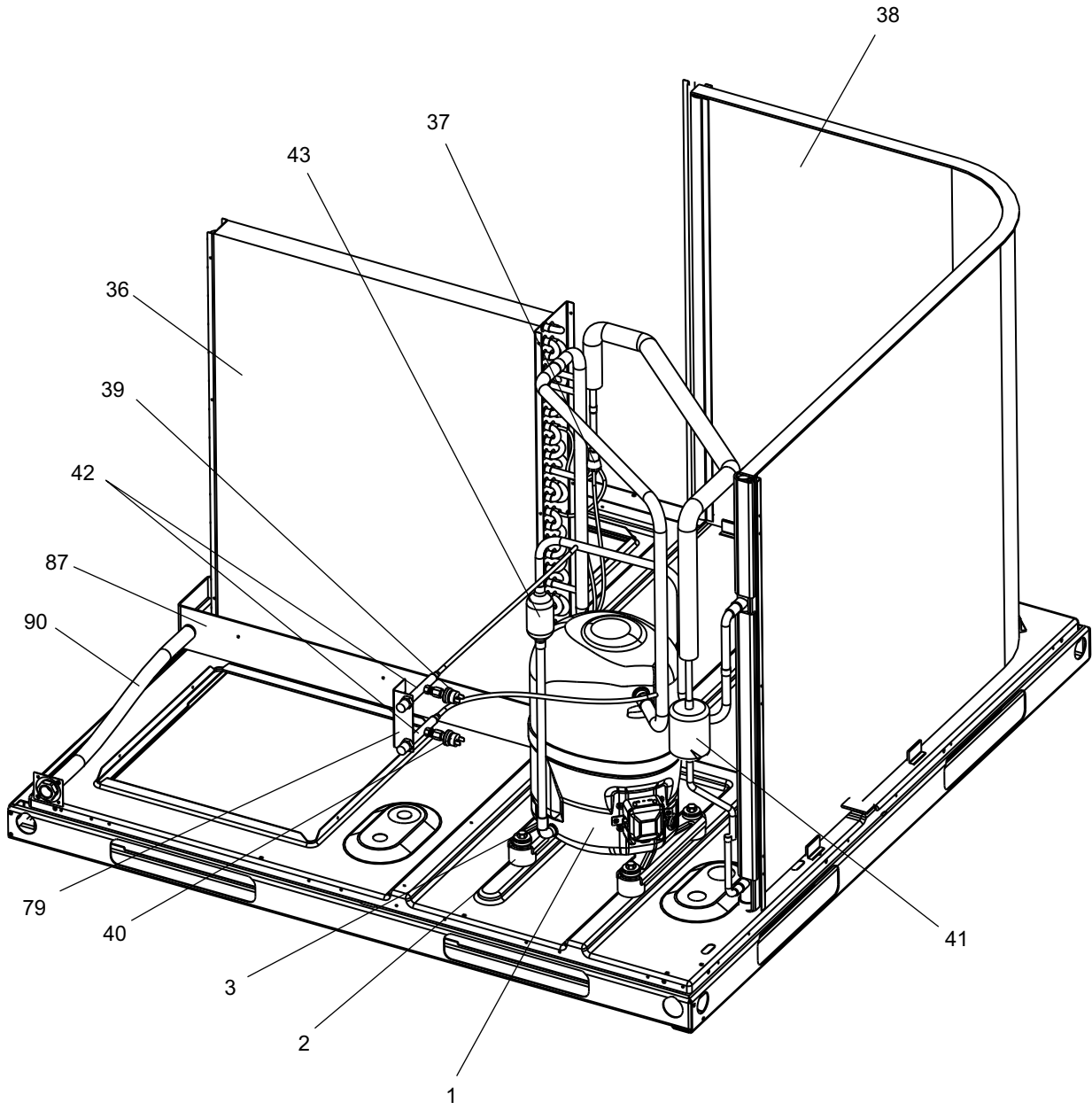


Figure 2

ITEM	FIG	DESCRIPTION	D1EQ024A06	D1EQ030A06	D1EQ036A06	D1EQ036A25
<b>Compressors</b>						
1	2	Compressor	S1-01504124001	S1-01504125001	S1-01504126001	S1-01504127001
2	2	Cushion Mount	S1-02810505000	S1-02810505000	S1-02810505000	S1-02810505000
3	2	Bolt, Compressor	S1-02116047000	S1-02116047000	S1-02116047000	S1-02116047000
<b>Condensor Fan Motor &amp; Air Moving Components</b>						
5	1	Motor, Fan	S1-02425119701	S1-02425119701	S1-02425119701	S1-02425119701
6	1	Blade, Fan	S1-02642445000	S1-02642445000	S1-02639408000	S1-02639408000
7	1	Guard, Fan	S1-02646742000	S1-02646742000	S1-02646742000	S1-02646742000
8	*	Wireway(26")	S1-02810070000	S1-02810070000	S1-02810070000	S1-02810070000
9	1	Roof, Condenser	S1-37319411002	S1-37319411002	S1-37319411002	S1-37319411002
10	*	Kit, Acorn Nut	S1-36390117700	S1-36390117700	S1-36390117700	S1-36390117700
<b>Indoor Blower Motor &amp; Air Moving Components</b>						
12	1	Motor, Blower, Programmed	S1-02435686015	S1-02435686016	S1-02435686017	S1-02435686017
		Motor, Blower, Less Module	S1-02431940000	S1-02431940000	S1-02431940000	S1-02431940000
		Module, Programmed, Less Motor	S1-32432013215	S1-32432013216	S1-32432013217	S1-32432013217
		Module, Unprog, Less Motor	S1-02432013000	S1-02432013000	S1-02432013000	S1-02432013000
13	1	Wheel, Blower	S1-02632088702	S1-02632088702	S1-02632088702	S1-02632088702
14	1	Grommet, Motor Mount (3 Req'd)	S1-02814740000	S1-02814740000	S1-02814740000	S1-02814740000
15	1	Ferrule, Motor Mount (3 Req'd)	S1-02320541000	S1-02320541000	S1-02320541000	S1-02320541000
16	1	Housing, Blower	S1-37314999001	S1-37314999001	S1-37314999001	S1-37314999001
17	1	Assembly, Motor Mount	S1-07328479000	S1-07328479000	S1-07328479000	S1-07328479000
18	1	Plate, Blower	S1-07316332001	S1-07316332001	S1-07316332001	S1-07316332001
19	1					
<b>Electric Box</b>						
22	3	Board, Control, CFM	S1-03103002000	S1-03103002000	S1-03103002000	S1-03103002000
23	3	Board, Control, Fan	S1-03101264002	S1-03101264002	S1-03101264002	S1-03101264002
24	3	Capacitor, Dual Run	S1-02423998700	S1-02425893700	S1-02425893700	---
		Capacitor, Single Run	---	---	---	S1-02420043700
25	3	Transformer, 24V	S1-02518452700	S1-02518452700	S1-02518452700	S1-02525973700
26	3	Contactora	S1-02432004000	S1-02432004000	S1-02432004000	S1-02435803000
27	3	Lug, Electrical	S1-02521798000	S1-02521798000	S1-02521798000	S1-02521798000
28	*	Assist, Motor Start	S1-02425084000	S1-02425084000	S1-02425084000	---
29	3	Relay, Control, 22V	S1-02425986000	S1-02425986000	S1-02425986000	S1-02425986000
30	*	Block, Terminal	S1-02523083000	S1-02523083000	S1-02523083000	S1-02523083000
31	3	Transformer, 230V	---	---	---	---
32	3	Breaker, Circuit	---	---	---	S1-02434532000
35	*	Diagram, Wiring	364667	364667	364667	364668
<b>Evaporator Coil, Condensor Coil, and Piping Components</b>						
36	2	Coil, Evaporator	S1-37328168000	S1-37328619000	S1-37328620000	S1-37328620000
37	2	Valve, Distributor (Evap)	S1-02211523000	S1-02206844163	S1-02206844142	S1-02206844142
38	2	Coil, Condenser	S1-37328003000	S1-37328623000	S1-37328623000	S1-37328623000
39	2	Switch, High Pressure	S1-02538728000	S1-02538728000	S1-02538728000	S1-02538728000
40	2	Switch, Low Pressure	S1-02538729000	S1-02538729000	S1-02538729000	S1-02538729000
41	2	Filter	S1-52635463000	S1-52635463000	S1-52635463000	S1-52635463000
42	2	Connector Tee, Pres Sw. (2 Req'd)	S1-02322437000	S1-02322437000	S1-02322437000	S1-02322437000
43	2	Muffler, Discharge	---	---	---	---
44	*	Valve, Schraeder (4 Req'd)	S1-02202475700	S1-02202475700	S1-02202475700	S1-02202475700
45	*	Cap, Seal (2 Req'd)	S1-02310745000	S1-02310745000	S1-02310745000	S1-02310745000
46	*	Extension, Orifice	S1-07321234000	S1-07321234000	S1-07321234000	S1-07321234000
47						
48						
49						
50						

**NOTE:** \*Not Shown  
 New replacement parts shown in **bold** face type at the first printing of parts list dated 6/12.  
 Major components and suggested stocking items are shown with shaded item number.  
 "<" Across from row indicates a change in that row.  
 --- Not applicable to specified model.



ITEM	FIG	DESCRIPTION	D1EQ024A06	D1EQ030A06	D1EQ036A06	D1EQ036A25
<b>Sheet Metal Components</b>						
66	1	Base Rail, Front	S1-07319413000	S1-07319413000	S1-07319413000	S1-07319413000
67	1	Base Rail, Back	S1-07319414000	S1-07319414000	S1-07319414000	S1-07319414000
68	1	Base Rail, Side (2 Req'd)	S1-07319415000	S1-07319415000	S1-07319415000	S1-07319415000
69	1	Post, Corner Assy	S1-37327360000	S1-37327360000	S1-37327360000	S1-37327360000
70	1	Panel, Access, Blower	S1-37318640001	S1-37318640001	S1-37318640001	S1-37318640001
71	1	Panel, Access, Control	S1-37316331001	S1-37316331001	S1-37316331001	S1-37316331001
72	1	Panel, Duct	S1-37319412002	S1-37319412002	S1-37319412002	S1-37319412002
73	1	Post, Corner, Center, Right	S1-07316328001	S1-07316328001	S1-07316328001	S1-07316328001
74	1	Post, Left Front Cover	S1-07316329001	S1-07316329001	S1-07316329001	S1-07316329001
75	1	Duct Cover (2 Req'd)	S1-37314853000	S1-37314853000	S1-37314853000	S1-37314853000
76	1	Panel, Access	S1-07316330001	S1-07316330001	S1-07316330001	S1-07316330001
77	1	Coil Guard, (Front)	S1-07327321000	S1-07327321000	S1-07327321000	S1-07327321000
78	1	Coil Guard, (Side)	S1-07327323000	S1-07327323000	S1-07327323000	S1-07327323000
79	2	Bracket, Service Valve	S1-07317384000	S1-07317384000	S1-07317384000	S1-07317384000
80	1	Post, Corner, Left, Side	S1-07316327001	S1-07316327001	S1-07316327001	S1-07316327001
81	*	Filter, Air	---	---	---	S1-02633202010
<b>Drain Pan &amp; Accessories</b>						
87	2	Pan, Drain	S1-03200139002	S1-03200139002	S1-03200139002	S1-03200139002
88	*	Plug, Drain Pan	S1-02812480000	S1-02812480000	S1-02812480000	S1-02812480000
89	*	Drain Fitting	S1-7430-3011	S1-7430-3011	S1-7430-3011	S1-7430-3011
90	2	Tubing, Drain	S1-02815481000	S1-02815481000	S1-02815481000	S1-02815481000

**NOTE:** \*Not Shown  
 New replacement parts shown in **bold** face type at the first printing of parts list dated 6/12.  
 Major components and suggested stocking items are shown with shaded item number.  
 “←” Across from row indicates a change in that row.  
 --- Not applicable to specified model.

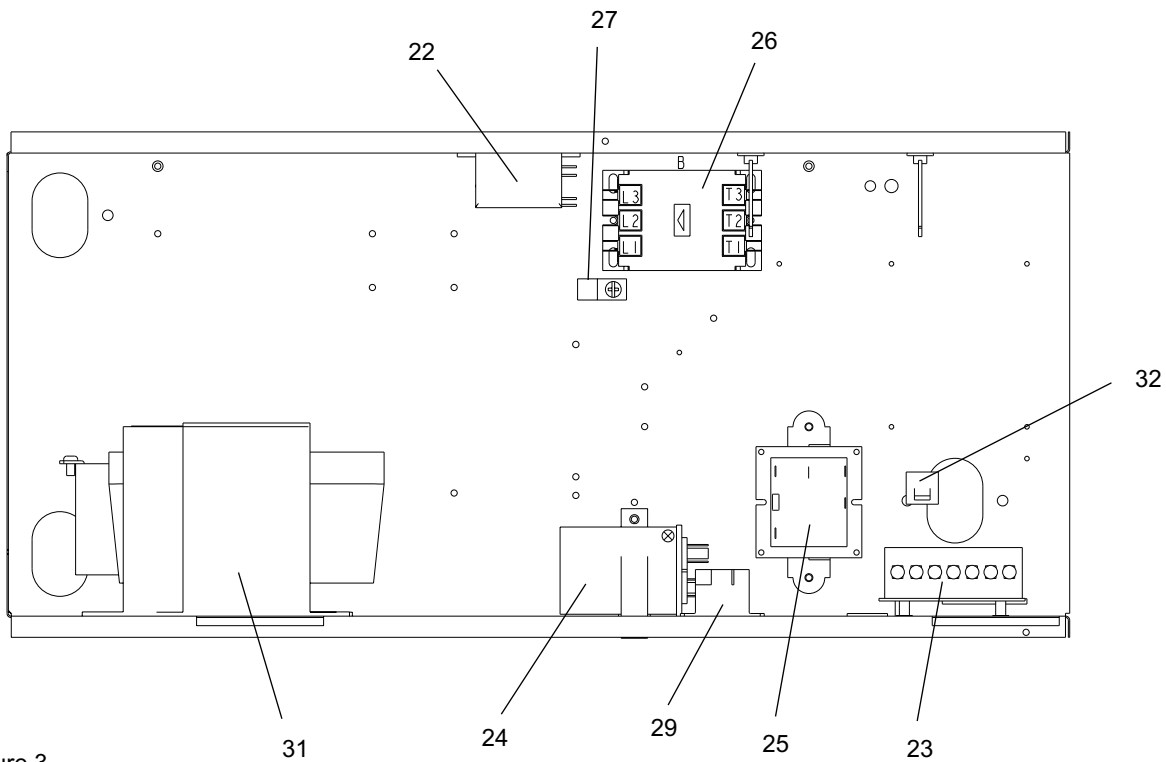


Figure 3

ITEM	FIG	DESCRIPTION	D1EQ036A46	D1EQ042A06	D1EQ048A06	D1EQ048A25
<b>Compressors</b>						
1	2	Compressor	S1-01504128001	S1-01504130001	S1-01503960004	S1-01503961004
2	2	Cushion Mount	S1-02810505000	S1-02810505000	S1-02810505000	S1-02810505000
3	2	Bolt, Compressor	S1-02116047000	S1-02116047000	S1-02116047000	S1-02116047000
<b>Condensor Fan Motor &amp; Air Moving Components</b>						
5	1	Motor, Fan	S1-02425121700	S1-02424117003	S1-02424117003	S1-02424117003
6	1	Blade, Fan	S1-02639408000	S1-02645745000	S1-02639408000	S1-02639408000
7	1	Guard, Fan	S1-02646742000	S1-02646742000	S1-02646742000	S1-02646742000
8	*	Wireway(26")	S1-02810070000	S1-02845745000	S1-02810070000	S1-02810070000
9	1	Roof, Condenser	S1-37319411002	S1-37319411002	S1-37319411002	S1-37319411002
10	*	Kit, Acorn Nut	S1-36390117700	S1-36390117700	S1-36390117700	S1-36390117700
<b>Indoor Blower Motor &amp; Air Moving Components</b>						
12	1	Motor, Blower, Programmed	S1-02435686017	S1-02435687010	S1-02435687011	S1-02435687011
		Motor, Blower, Less Module	S1-02431940000	S1-02431941000	S1-02431941000	S1-02431941000
		Module, Programmed, Less Motor	S1-32432013217	S1-32432014210	S1-32432014211	S1-32432014211
		Module, Unprog, Less Motor	S1-02432013000	S1-02432014000	S1-02432014000	S1-02432014000
13	1	Wheel, Blower	S1-02632088702	S1-02632088003	S1-02632088003	S1-02632088003
14	1	Grommet, Motor Mount (3 Req'd)	S1-02814740000	S1-02814740000	S1-02814740000	S1-02814740000
15	1	Ferrule, Motor Mount (3 Req'd)	S1-02320541000	S1-02320541000	S1-02320541000	S1-02320541000
16	1	Housing, Blower	S1-37314999001	S1-37315053001	S1-37315053001	S1-37315053001
17	1	Assembly, Motor Mount	S1-07328479000	S1-07328479000	S1-07328479000	S1-07328479000
18	1	Plate, Blower	S1-07316332001	S1-07316332004	S1-07316332004	S1-07316332004
19						
<b>Electric Box</b>						
22	3	Board, Control, CFM	S1-03103002000	S1-03103002000	S1-03103002000	S1-03103002000
23	3	Board, Control	S1-03101264002	S1-03101264002	S1-03101264002	S1-03101264002
24	3	Capacitor, Dual Run	---	S1-02425895700	S1-02425043700	---
		Capacitor, Single Run	S1-02420043700	---	---	S1-02420045700
25	3	Transformer,24V	S1-02425974700	S1-02518452700	S1-02518452700	S1-02425973700
26	3	Contact	S1-02435803000	S1-02432004000	S1-02432004000	S1-02435803000
27	3	Lug, Electrical	S1-02521798000	S1-02521798000	S1-02521798000	S1-02521798000
28	*	Assist, Motor Start	---	<b>S1-02425398000</b>	<b>S1-02425398000</b>	---
29	3	Relay, Control, 22V	S1-02425986000	S1-02425986000	S1-02425986000	S1-02425986000
30	*	Block, Terminal	S1-02523083000	S1-02523083000	S1-02523083000	S1-02523083000
31	3	Transformer, 230V	S1-02539924000	---	---	---
32	3	Breaker, Circuit	S1-02434532000	---	---	S1-02434532000
35	*	Diagram, Wiring	364669	364667	364667	364668
<b>Evaporator Coil, Condensor Coil, and Piping Components</b>						
36	2	Coil, Evaporator	S1-37328620000	S1-37328621000	S1-37328167000	S1-37328167000
37	2	Valve, Distributor (Evap)	S1-02206844142	S1-02211524000	S1-02206844095	S1-02206844095
38	2	Coil, Condenser	S1-37328623000	S1-37320239101	S1-37328006000	S1-37328006000
39	2	Switch, High Pressure	S1-02538728000	S1-02538728000	S1-02538728000	S1-02538728000
40	2	Switch, Low Pressure	S1-02538729000	S1-02538729000	S1-02538729000	S1-02538729000
41	2	Filter	S1-52635463000	S1-52635463000	S1-52635463000	S1-52635463000
42	2	Connector Tee, Pres Sw. (2 Req'd)	S1-02322437000	S1-02322437000	S1-02322437000	S1-02322437000
43	2	Muffler, Discharge	---	---	---	---
44	*	Valve, Schraeder (4 Req'd)	S1-02202475700	S1-02202475700	S1-02202475700	S1-02202475700
45	*	Cap, Seal (2 Req'd)	S1-02310745000	S1-02310745000	S1-02310745000	S1-02310745000
46	*	Extension, Orifice	S1-07321234000	S1-07321234000	S1-07321234000	S1-07321234000
47						
48						
49						
50						

**NOTE:** \*Not Shown  
 New replacement parts shown in **bold** face type at the first printing of parts list dated 6/12.  
 Major components and suggested stocking items are shown with shaded item number.  
 "<" Across from row indicates a change in that row.  
 --- Not applicable to specified model.



ITEM	FIG	DESCRIPTION	D1EQ036A46	D1EQ042A06	D1EQ048A06	D1EQ048A25
<b>Sheet Metal Components</b>						
66	1	Base Rail, Front	S1-07319413000	S1-07319413000	S1-07319413000	S1-07319413000
67	1	Base Rail, Back	S1-07319414000	S1-07319414000	S1-07319414000	S1-07319414000
68	1	Base Rail, Side (2 Req'd)	S1-07319415000	S1-07319415000	S1-07319415000	S1-07319415000
69	1	Post, Corner Assy	S1-37327360000	S1-37327359000	S1-37327359000	S1-37327359000
70	1	Panel, Access, Blower	S1-37318640001	S1-37318640002	S1-37318640002	S1-37318640002
71	1	Panel, Access, Control	S1-37316331001	S1-37316331002	S1-37316331002	S1-37316331002
72	1	Panel, Duct	S1-37319412002	S1-37319412005	S1-37319412005	S1-37319412005
73	1	Post, Corner, Center, Right	S1-07316328001	S1-07316328002	S1-07316328002	S1-07316328002
74	1	Post, Left Front Cover	S1-07316329001	S1-07319389000	S1-07319389000	S1-07319389000
75	1	Duct Cover (2 Req'd)	S1-37314853000	S1-37314853000	S1-37314853000	S1-37314853000
76	1	Panel, Access	S1-07316330001	S1-07316330002	S1-07316330002	S1-07316330002
77	1	Coil Guard, (Front)	S1-02646429000	S1-07327322000	S1-07327322000	S1-07327322000
78	1	Coil Guard, (Side)	S1-02634608000	S1-07327324000	S1-07327324000	S1-07327324000
79	2	Bracket, Service Valve	S1-07317384000	S1-07317384000	S1-07317384000	S1-07317384000
80	1	Post, Corner, Left, Side	S1-07316327001	S1-07316327002	S1-07316327002	S1-07316327002
81	*	Filter, Air	S1-02633202010	---	---	S1-02633202010
<b>Drain Pan &amp; Accessories</b>						
87	2	Pan, Drain	S1-03200139002	S1-03200139002	S1-03200139002	S1-03200139002
88	*	Plug, Drain Pan	S1-02812480000	S1-02812480000	S1-02812480000	S1-02812480000
89	*	Drain Fitting	S1-7430-3011	S1-7430-3011	S1-7430-3011	S1-7430-3011
90	2	tubing, Drain	S1-02815481000	S1-02815481000	S1-02815481000	S1-02815481000

**NOTE:** \*Not Shown

New replacement parts shown in **bold** face type at the first printing of parts list dated 6/12.

Major components and suggested stocking items are shown with shaded item number.

"<" Across from row indicates a change in that row.

--- Not applicable to specified model.



ITEM	FIG	DESCRIPTION	D1EQ048A46	D1EQ060A06	D1EQ060A25	D1EQ060A46
<b>Compressors</b>						
1	2	Compressor	S1-01503962004	S1-01503595004	S1-01503676004	S1-01503677004
2	2	Cushion Mount	S1-02810505000	S1-02810505000	S1-02810505000	S1-02810505000
3	2	Bolt, Compressor	S1-02116047000	S1-02116047000	S1-02116047000	S1-02116047000
<b>Condensor Fan Motor &amp; Air Moving Components</b>						
5	1	Motor, Fan	S1-02425913700	S1-02435894000	S1-02435894000	S1-02435894000
6	1	Blade, Fan	S1-02639408000	S1-02639408000	S1-02639408000	S1-02639408000
7	1	Guard, Fan	S1-02646742000	S1-02646742000	S1-02646742000	S1-02646742000
8	*	Wireway(26")	S1-02810070000	S1-02810070000	S1-02810070000	S1-02810070000
9	1	Roof, Condenser	S1-37319411002	S1-37319411002	S1-37319411002	S1-37319411002
10	*	Kit, Acorn Nut	S1-36390117700	S1-36390117700	S1-36390117700	S1-36390117700
<b>Indoor Blower Motor &amp; Air Moving Components</b>						
12	1	Motor, Blower, Programmed	S1-02435687011	S1-02435586007	S1-02435586007	S1-02435586007
		Motor, Blower, Less Module	S1-02431941000	S1-02431941000	S1-02431941000	S1-02431941000
		Module, Programmed, Less Motor	S1-32432014211	S1-32432015210	S1-32432015210	S1-32432015210
		Module, Unprog, Less Motor	S1-02432014000	S1-02432015000	S1-02432015000	S1-02432015000
13	1	Wheel, Blower	S1-02632088003	S1-02619654012	S1-02619654012	S1-02619654012
14	1	Grommet, Motor Mount (3 Req'd)	S1-02814740000	S1-02814740000	S1-02814740000	S1-02814740000
15	1	Ferrule, Motor Mount (3 Req'd)	S1-02320541000	S1-02320541000	S1-02320541000	S1-02320541000
16	1	Housing, Blower	S1-37315053001	S1-37315053001	S1-37315053001	S1-37315053001
17	1	Assembly, Motor Mount	S1-07328479000	S1-07328479000	S1-07328479000	S1-07328479000
18	1	Plate, Blower	S1-07316332004	S1-07316332004	S1-07316332004	S1-07316332004
19						
<b>Electric Box</b>						
22	3	Board, Control, CFM	S1-03103002000	S1-03103002000	S1-03103002000	S1-03103002000
23	3	Board, Control	S1-03101264002	S1-03101264002	S1-03101264002	S1-03101264002
24	3	Capacitor, Dual Run	---	S1-02427558000	---	---
		Capacitor, Single Run	S1-02420045700	---	S1-02420043700	S1-02420045700
25	3	Transformer, 24V	S1-02525974700	S1-02518452700	S1-02525973700	S1-02525974700
26	3	Contacto	S1-02435803000	S1-02432004000	S1-02435803000	S1-02435803000
27	3	Lug, Electrical	S1-02521798000	S1-02521798000	S1-02521798000	S1-02521798000
28	*	Assist, Motor Start	---	---	---	---
29	3	Relay, Control, 22V	S1-02425986000	S1-02425986000	S1-02425986000	S1-02425986000
30	*	Block, Terminal	S1-02523083000	S1-02523083000	S1-02523083000	S1-02523083000
31	3	Transformer, 230V	S1-02539924000	---	---	S1-02539924000
32	3	Breaker, Circuit	S1-02434532000	---	S1-02434532000	---
35	*	Diagram, Wiring	364669	366574	366573	366572
<b>Evaporator Coil, Condensor Coil, and Piping Components</b>						
36	2	Coil, Evaporator	S1-37328167000	S1-37328166000	S1-37328166000	S1-37328166000
37	2	Valve, Distributor (Evap)	S1-02206844095	S1-02211460000	S1-02211460000	S1-02211460000
38	2	Coil, Condenser	S1-37328006000	S1-37328006000	S1-37328006000	S1-37328006000
39	2	Switch, High Pressure	S1-02538728000	S1-02538728000	S1-02538728000	S1-02538728000
40	2	Switch, Low Pressure	S1-02538729000	S1-02538729000	S1-02538729000	S1-02538729000
41	2	Filter	S1-52635463000	S1-52635463000	S1-52635463000	S1-52635463000
42	2	Connector Tee, Pres Sw. (2 Req'd)	S1-02322437000	S1-02322437000	S1-02322437000	S1-02322437000
43	2	Muffler, Discharge	---	---	---	---
44	*	Valve, Schraeder (4 Req'd)	S1-02202475700	S1-02202475700	S1-02202475700	S1-02202475700
45	*	Cap, Seal (2 Req'd)	S1-02310745000	S1-02310745000	S1-02310745000	S1-02310745000
46	*	Extension, Orifice	S1-07321234000	S1-07321234000	S1-07321234000	S1-07321234000
47	*	TXV, Evap	---	S1-02541340000	S1-02541340000	S1-02541340000
48						
49						
50						

**NOTE:** \*Not Shown  
 New replacement parts shown in **bold** face type at the first printing of parts list dated 6/12.  
 Major components and suggested stocking items are shown with shaded item number.  
 "<" Across from row indicates a change in that row.  
 --- Not applicable to specified model.



ITEM	FIG	DESCRIPTION	D1EQ048A46	D1EQ060A06	D1EQ060A25	D1EQ060A46
<b>Sheet Metal Components</b>						
66	1	Base Rail, Front	S1-07319413000	S1-07319413000	S1-07319413000	S1-07319413000
67	1	Base Rail, Back	S1-07319414000	S1-07319414000	S1-07319414000	S1-07319414000
68	1	Base Rail, Side (2 Req'd)	S1-07319415000	S1-07319415000	S1-07319415000	S1-07319415000
69	1	Post, Corner Assy	S1-37327359000	S1-37327359000	S1-37327359000	S1-37327359000
70	1	Panel, Access, Blower	S1-37318640002	S1-37318640002	S1-37318640002	S1-37318640002
71	1	Panel, Access, Control	S1-37316331002	S1-37316331002	S1-37316331002	S1-37316331002
72	1	Panel, Duct	S1-37319412005	S1-37319412005	S1-37319412005	S1-37319412005
73	1	Post, Corner, Center, Right	S1-07316328002	S1-07316328002	S1-07316328002	S1-07316328002
74	1	Post, Corner Assy, Left Front	S1-07319389000	S1-07319389000	S1-07319389000	S1-07319389000
75	1	Duct Cover (2 Req'd)	S1-37314853000	S1-37314853000	S1-37314853000	S1-37314853000
76	1	Panel, Access	S1-07316330002	S1-07316330002	S1-07316330002	S1-07316330002
77	1	Coil Guard, (Front)	S1-07327322000	S1-07327322000	S1-07327322000	S1-07327322000
78	1	Coil Guard, (Side)	S1-07327324000	S1-07327324000	S1-07327324000	S1-07327324000
79	2	Bracket, Service Valve	S1-07317384000	S1-07317384000	S1-07317384000	S1-07317384000
80	1	Post, Corner, Left, Side	S1-07316327002	S1-07316327002	S1-07316327002	S1-07316327002
81	*	Filter, Air	S1-02633202010	---	S1-02633202010	S1-02633202010
<b>Drain Pan &amp; Accessories</b>						
87	2	Pan, Drain	S1-03200139002	S1-03200139002	S1-03200139002	S1-03200139002
88	*	Plug, Drain Pan	S1-02812480000	S1-02812480000	S1-02812480000	S1-02812480000
89	*	Drain Fitting	S1-7430-3011	S1-7430-3011	S1-7430-3011	S1-7430-3011
90	2	Tube, Drain	S1-02815481000	S1-02815481000	S1-02815481000	S1-02815481000

**NOTE:** \*Not Shown

New replacement parts shown in **bold** face type at the first printing of parts list dated 6/12.

Major components and suggested stocking items are shown with shaded item number.

"<" Across from row indicates a change in that row.

--- Not applicable to specified model.

**TO ORDER AUTHORIZED FACTORY REPLACEMENT PARTS** - Contact your Source1 HVAC Parts Distributor or visit our website at [www.Source1Parts.com](http://www.Source1Parts.com) for a Distributor and Dealer listing.