



RSPM

Parts List
03-June-2014

Form No. 92-42800-RSPM

*This parts list is current as of the above revision date.
See <http://www.rheempartslists.net/92-42800-RSPM.pdf> for the current revision.*

Package Air Conditioners

Table of Contents

Model Explanation	Page 3
Parts Numbers	
Panels - Miscellaneous (Granite-Steel Gray) 024-036	Page 4
Panels - Miscellaneous (Granite-Steel Gray) 042-060	Page 5
Electrical Group	Page 6
Fan Group	Page 7
Blower Group	Page 8
Coil Parts	Page 9
Compressor Group	Page 10
Heater Kits	Page 11
Accessories	Page 11
Drawings/Photographs	
Exploded View	Page 12
Control Panel	Page 13
Blower Assembly	Page 14
Coil Assembly	Page 15
Notes/Disclaimer	Page 16

MODEL NUMBER EXPLANATION

R	S	P	M	-	A	0	2	4	J	K	000
(1)	(2)	(3)	(4)		(5)		(6)		(7)	(8)	(9)

- | | |
|--|---|
| <p>(1) TRADEBRAND IDENTIFICATION</p> <p>(2) PRODUCT CLASSIFICATION
S= PACKAGED AIR CONDITIONER</p> <p>(3) EFFICIENCY DESIGNATION
P= 14 SEER</p> <p>(4) DESIGN SERIES
M= R-410A</p> <p>(5) FUTURE TECHNICAL DESIGNATIONS</p> <p>(6) COOLING CAPACITY
024= 24,000 BTU/HR
030= 30,000 BTU/HR
036= 36,000 BTU/HR
042= 42,000 BTU/HR
043= 43,000 BTU/HR
048= 48,000 BTU/HR
060= 60,000 BTU/HR</p> | <p>(7) ELECTRICAL DESIGNATION
J= 208-230/1/60
C= 208-230/3/60</p> <p>(8) DRIVE DESIGNATION
K= DIRECT DRIVE</p> <p>(9) HEATING CAPACITY
000=NO RESISTANCE HEAT
005=05 kW RESISTANCE HEAT
007=07 kW RESISTANCE HEAT
010=010 kW RESISTANCE HEAT
015=015 kW RESISTANCE HEAT
020=020 kW RESISTANCE HEAT</p> |
|--|---|

SERIAL NUMBER EXPLANATION

W	0	8	1	3	9	9	9	9
(1)	(2)	(3)	(4)					

- (1) **PLANT CODE**
W = Nuevo Laredo (West)
- (2) **WEEK OF PRODUCTION**
- (3) **YEAR OF PRODUCTION**
- (4) **PRODUCTION NUMBER**

Note: For Compressor Identification Number, see Compressor Code on Rating Plate

No.	Notes	MODEL TECHNICAL VARIATION COOLING CAPACITY ELECTRICAL DESIGNATION	RSPM A 024 J	RSPM A 030 J	RSPM A 036 J
PANELS, MISCELLANEOUS PARTS					
1		Louver Panel	AS-100830-02H	AS-100830-02H	AS-100830-02H
2		Corner Post	AS-100822-01H	AS-100822-01H	AS-100822-01H
3		Front Post	AS-100821-01H	AS-100821-01H	AS-100821-01H
4		Louver Panel	AS-100830-01H	AS-100830-01H	AS-100830-01H
5		Insulation Retainer	AE-100831-02	AE-100831-02	AE-100831-02
6		Front Access Panel	AS-100823-01H	AS-100823-01H	AS-100823-01H
7	Stk	Drainpan	68-100808-02	68-100808-02	68-100808-02
8		Air Stop - Drainpan	AE-100825-01	AE-100825-01	AE-100825-01
9		Air Stop - Drainpan	AE-100825-02	AE-100825-02	AE-100825-02
10		Drainpan Tray	AS-100809-01H	AS-100809-01H	AS-100809-01H
11		Control Access Panel	AS-100824-01H	AS-100824-01H	AS-100824-01H
12		Control Panel Assembly	AS-100807-01	AS-100807-01	AS-100807-01
13		Base Rail (2)	AE-102792-01	AE-102792-01	AE-102792-01
15		Base Pan	AS-100804-01H	AS-100804-01H	AS-100804-01H
16		Right Panel Assembly	AS-100820-01H	AS-100820-01H	AS-100820-01H
17		Blower Support	AE-100818-02	AE-100818-02	AE-100818-02
		Insulation Retainer (2)	AE-100831-01	AE-100831-01	AE-100831-01
		Duct Ring - 14 in.	58-100850-01	58-100850-01	58-100850-01
18		Transition Bottom	AE-100815-01	AE-100815-01	AE-100815-01
19		Transition Top	AE-100815-02	AE-100815-02	AE-100815-02
20		Block Off Plate	AE-100816-01	AE-100816-01	AE-100816-01
21		Rear Panel Assembly	AS-100814-01H	AS-100814-01H	AS-100814-01H
22		Rear Air Stop	AE-100810-01	AE-100810-01	AE-100810-01
23		Top Panel Assembly (Indoor)	AS-100828-01H	AS-100828-01H	AS-100828-01H
24		Top Panel (Outdoor)	AS-100829-01H	AS-100829-01H	AS-100829-01H
25		Grille	95-100906-07	95-100906-07	95-100906-07
28		Blower Support	AE-100818-01	AE-100818-01	AE-100818-01
29		Bulkhead Cap Assembly	AS-100826-01H	AS-100826-01H	AS-100826-01H
30		Bulkhead Assembly	AS-100812-01	AS-100812-01	AS-100812-01
37		Low Voltage Mount	AE-100839-01	AE-100839-01	AE-100839-01
38		Low Voltage Cover	AE-100839-02	AE-100839-02	AE-100839-02
43		Heater Kit Delete Plate (Mounted in Control Box)	AE-100842-01	AE-100842-01	AE-100842-01
49		Gaugeport Enclosure	AE-101352-01	AE-101352-01	AE-101352-01

No.	Notes	MODEL TECHNICAL VARIATION COOLING CAPACITY ELECTRICAL DESIGNATION	RSPM A 043 J	RSPM A 048 J	RSPM A 060 J
PANELS, MISCELLANEOUS PARTS					
1		Louver Panel	AS-100830-02H	AS-100830-04H	AS-100830-04H
2		Corner Post	AS-100822-01H	AS-100822-02H	AS-100822-02H
3		Front Post	AS-100821-01H	AS-100821-02H	AS-100821-02H
4		Louver Panel	AS-100830-01H	AS-100830-03H	AS-100830-03H
5		Insulation Retainer	AE-100831-02	AE-100831-03	AE-100831-03
6		Front Access Panel	AS-100823-01H	AS-100823-02H	AS-100823-02H
7	Stk	Drainpan	68-100808-02	68-100808-02	68-100808-02
8		Air Stop - Drainpan	AE-100825-01	AE-100825-01	AE-100825-01
9		Air Stop - Drainpan	AE-100825-02	AE-100825-02	AE-100825-02
10		Drainpan Tray	AS-100809-01H	AS-100809-01H	AS-100809-01H
11		Control Access Panel	AS-100824-01H	AS-100824-02H	AS-100824-02H
12		Control Panel Assembly	AS-100807-01	AS-100807-02	AS-100807-02
13		Base Rail (2)	AE-102792-01	AE-102792-01	AE-102792-01
15		Base Pan	AS-100804-01H	AS-100804-01H	AS-100804-01H
16		Right Panel Assembly	AS-100820-01H	AS-100820-02H	AS-100820-02H
17		Blower Support	AE-100818-02	AE-100818-02	AE-100818-02
		Insulation Retainer (2)	AE-100831-01	AE-100831-01	AE-100831-01
		Duct Ring - 14 in.	58-100850-01	58-100850-01	58-100850-01
18		Transition Bottom	AE-100815-01	AE-100815-01	AE-100815-01
19		Transition Top	AE-100815-02	AE-100815-02	AE-100815-02
20		Block Off Plate	AE-100816-01	AE-100816-01	AE-100816-01
21		Rear Panel Assembly	AS-100814-01H	AS-100814-02H	AS-100814-02H
22		Rear Air Stop	AE-100810-01	AE-100810-02	AE-100810-02
23		Top Panel Assembly (Indoor)	AS-100828-01H	AS-100828-01H	AS-100828-01H
24		Top Panel (Outdoor)	AS-100829-01H	AS-100829-01H	AS-100829-01H
25		Grille	95-100906-07	95-100906-07	95-100906-07
28		Blower Support	AE-100818-01	AE-100818-01	AE-100818-01
29		Bulkhead Cap Assembly	AS-100826-01H	AS-100826-01H	AS-100826-01H
30		Bulkhead Assembly	AS-100812-01	AS-100812-02	AS-100812-02
37		Low Voltage Mount	AE-100839-01	AE-100839-01	AE-100839-01
38		Low Voltage Cover	AE-100839-02	AE-100839-02	AE-100839-02
43		Heater Kit Delete Plate (Mounted in Control Box)	AE-100842-01	AE-100842-01	AE-100842-01
49		Gauge Port Enclosure	AE-101352-01	AE-101352-01	AE-101352-01

No.	Notes	MODEL TECHNICAL VARIATION COOLING CAPACITY ELECTRICAL DESIGNATION	RSPM A 024 J	RSPM A 030 J	RSPM A 036 J
ELECTRICAL GROUP					
CONTROL BOX COMPONENTS:					
39		Terminal Strip	45-23591-01	45-23591-01	45-23591-01
40	Stk	Transformer	46-100836-01	46-100836-01	46-100836-01
42	Stk	Relay	42-21571-08	42-21571-08	42-21571-08
		Wiring Harness - 6 pin to heater kit	45-104222-01	45-104222-01	45-104222-01
46	Stk	Contactora	42-42478-04	42-42478-04	42-42478-04
47		Capacitor Strap - Compressor/Fan	AE-50892-56	AE-50892-56	AE-50892-56
48	Stk	Capacitor - Compressor/Fan	See Compressor Group		

No.	Notes	MODEL TECHNICAL VARIATION COOLING CAPACITY ELECTRICAL DESIGNATION	RSPM A 043 J	RSPM A 048 J	RSPM A 060 J
ELECTRICAL GROUP					
CONTROL BOX COMPONENTS:					
39		Terminal Strip	45-23591-01	45-23591-01	45-23591-01
40	Stk	Transformer	46-100836-01	46-100836-01	46-100836-01
42	Stk	Relay	42-21571-08	42-21571-08	42-21571-08
		Wiring Harness - 6 pin to heater kit	45-104222-01	45-104222-01	45-104222-01
46	Stk	Contactora	42-42478-04	42-42478-04	42-102664-10
47		Capacitor Strap - Compressor/Fan	AE-50892-56	AE-50892-56	AE-50892-56
48	Stk	Capacitor - Compressor/Fan	See Compressor Group		

No.	Notes	MODEL TECHNICAL VARIATION COOLING CAPACITY ELECTRICAL DESIGNATION	RSPM A 024 J	RSPM A 030 J	RSPM A 036 J
FAN GROUP					
26	Stk	Fan Motor	51-100999-24	51-100999-24	51-100999-24
27	Stk	Fan Blade	70-101323-20	70-101323-20	70-101323-20
48		Capacitor - Fan Motor	See Compressor Group		

No.	Notes	MODEL TECHNICAL VARIATION COOLING CAPACITY ELECTRICAL DESIGNATION	RSPM A 043 J	RSPM A 048 J	RSPM A 060 J
FAN GROUP					
26	Stk	Fan Motor	N/A	51-100998-25	51-100998-25
26	Stk	Fan Motor - Includes Outdoor Fan Control (OFC)	51-103329-02	N/A	N/A
27	Stk	Fan Blade	70-101323-20	70-102345-01	70-102345-01
48		Capacitor - Fan Motor	See Compressor Group		

No.	Notes	MODEL TECHNICAL VARIATION COOLING CAPACITY ELECTRICAL DESIGNATION	RSPM A 024 J	RSPM A 030 J	RSPM A 036 J	RSPM A 043 J
BLOWER GROUP						
	Stk	Blower Assembly	AS-100841-09	AS-100841-10	AS-100841-11	AS-100841-12
51		Blower Housing w/Wheel	70-100840-01	70-100840-01	70-100840-01	70-100840-02
	Stk	Blower Wheel	703017	703017	703017	703016
52		Motor Band	70-19927-03	70-19927-03	70-19927-03	70-19927-03
53		Blower Arm Assembly (3)	70-19929-09	70-19929-09	70-19929-09	70-19929-09
54	Stk	Blower Motor - X-13	51-101880-07	51-101880-08	51-101880-09	51-101920-06

No.	Notes	MODEL TECHNICAL VARIATION COOLING CAPACITY ELECTRICAL DESIGNATION	RSPM A 048 J	RSPM A 060 J		
BLOWER GROUP						
	Stk	Blower Assembly	AS-100841-13	AS-100841-08		
51		Blower Housing w/Wheel	70-100840-02	70-100840-02		
	Stk	Blower Wheel	703016	703016		
52		Motor Band	70-19927-03	70-19927-03		
53		Blower Arm Assembly (3)	70-19929-09	70-19929-09		
54	Stk	Blower Motor - X-13	51-101920-07	51-101984-04		

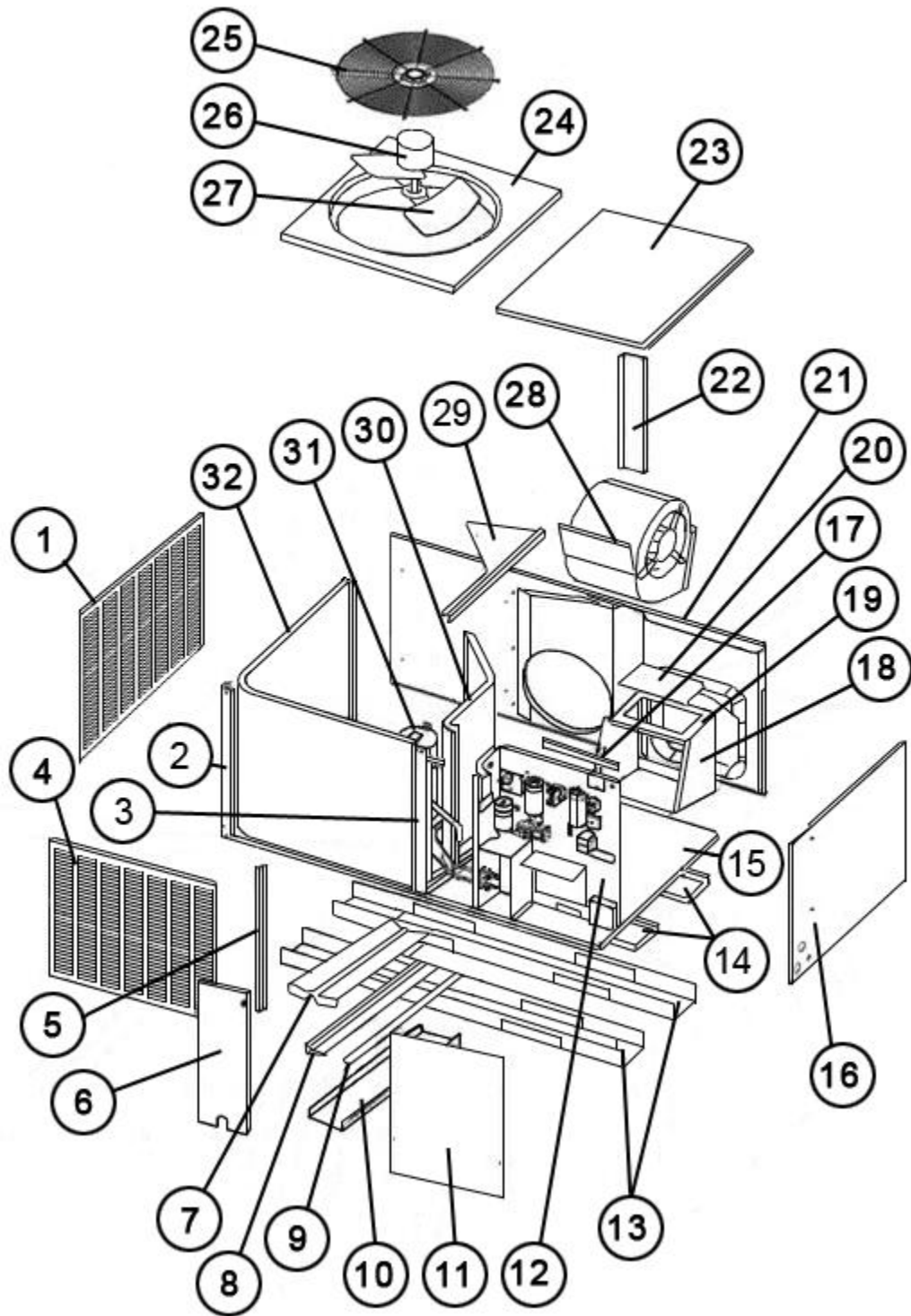
No.	Notes	MODEL TECHNICAL VARIATION COOLING CAPACITY	RSPM A 024	RSPM A 030	RSPM A 036
COIL GROUP					
CONDENSER COIL:					
32	Stk	Condenser Coil (Outdoor Coil)	AS-100793-18	AS-100793-07	AS-100793-07
EVAPORATOR COIL:					
33	Stk	Evaporator Coil (Indoor Coil)	AS-100792-18	AS-100792-19	AS-100792-19
33	Stk	Evaporator Coil (Indoor Coil) - Tin Plated	AS-104684-18	AS-104684-19	AS-104684-19
7		Drain Pan - Evaporator Coil	See Panels - Miscellaneous		
34		Bulb Strainer	N/A	N/A	N/A
35	Stk	TXV	61-102213-09	61-102213-01	61-102211-16
		TXV Bulb Strap Kit	64-101357-01	64-101357-01	64-101357-01
36		Draintrap Assembly	68-100846-02	68-100846-02	68-100846-02
REFRIGERATION GROUP:					
50		Gaugeport Manifold - Valve Body (2)	61-22369-04	61-22369-04	61-22369-04
50		Gaugeport Manifold - Valve Core (2)	61-18551-01	61-18551-01	61-18551-01
		Low Pressure Control	47-102240-02	47-102240-02	47-102240-02
		High Pressure Control	47-102431-03	47-102431-03	47-102431-03

No.	Notes	MODEL TECHNICAL VARIATION COOLING CAPACITY	RSPM A 043	RSPM A 048	RSPM A 060
COIL GROUP					
CONDENSER COIL:					
32	Stk	Condenser Coil (Outdoor Coil)	AS-100793-07	AS-100793-19	AS-100793-09
EVAPORATOR COIL:					
33	Stk	Evaporator Coil (Indoor Coil)	AS-100792-20	AS-100792-21	AS-100792-22
33	Stk	Evaporator Coil (Indoor Coil) - Tin Plated	AS-104684-20	AS-104684-21	AS-104684-22
7		Drain Pan - Evaporator Coil	See Panels - Miscellaneous		
34		Bulb Strainer	N/A	N/A	N/A
35	Stk	TXV	61-102213-10	61-102213-12	61-102213-11
		TXV Bulb Strap Kit	64-101357-01	64-101357-01	64-101357-01
36		Draintrap Assembly	68-100846-02	68-100846-02	68-100846-02
REFRIGERATION GROUP:					
50		Gaugeport Manifold - Valve Body (2)	61-22369-04	61-22369-04	61-22369-04
50		Gaugeport Manifold - Valve Core (2)	61-18551-01	61-18551-01	61-18551-01
		Low Pressure Control	47-102240-02	47-102240-02	47-102240-02
		High Pressure Control	47-102431-03	47-102431-03	47-102431-03

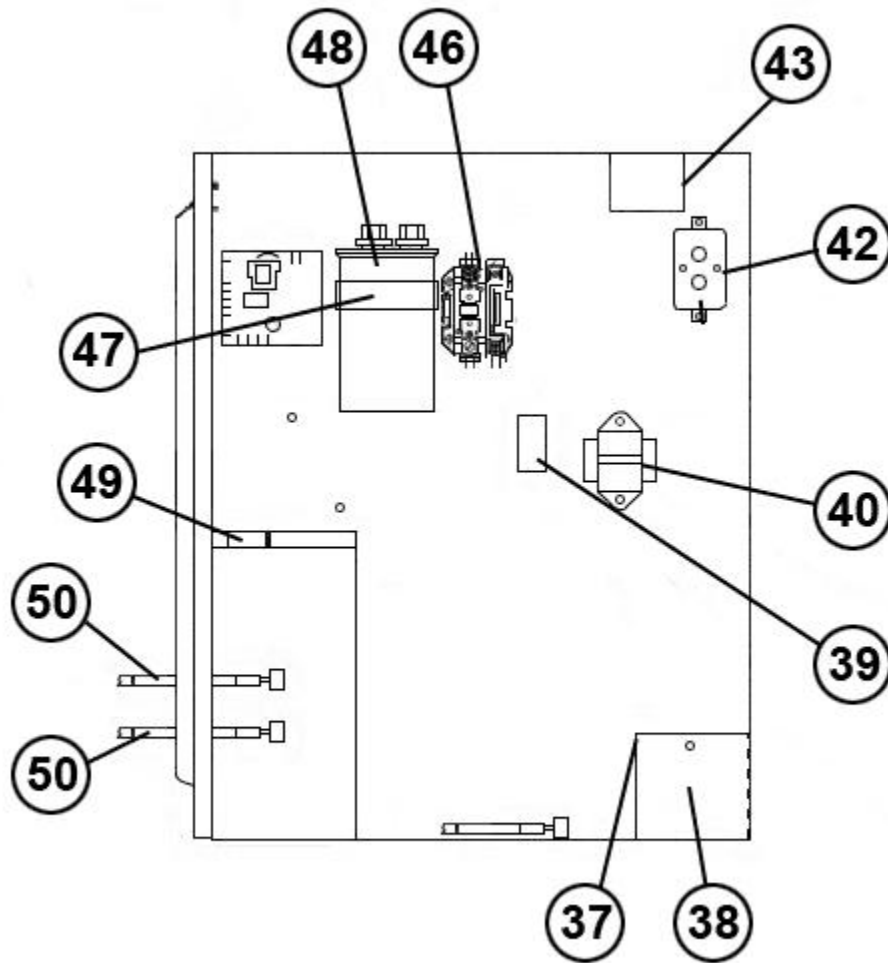
No.	Notes	MODEL TECHNICAL VARIATION COOLING CAPACITY ELECTRICAL DESIGNATION	RSPM A 024 J	RSPM A 030 J	RSPM A 036 J
COMPRESSOR GROUP					
		Compressor ID:	7593	7594	7595
31	Stk	Compressor	55-102045-24S	55-102045-02S	55-102045-03S
48	Stk	Run Capacitor - Fan/Compressor	43-101665-44	43-101665-09	43-101665-41
55	Stk	Compressor Wiring Harness (Molded Plug)	45-100834-80	45-100834-80	45-100834-80

No.	Notes	MODEL TECHNICAL VARIATION COOLING CAPACITY ELECTRICAL DESIGNATION	RSPM A 043 J	RSPM A 048 J	RSPM A 060 J
COMPRESSOR GROUP					
		Compressor ID:	8179	7598	7600
31	Stk	Compressor	55-102045-12S	55-102045-06S	55-102045-26S
48	Stk	Run Capacitor - Fan/Compressor	N/A	43-26271-48	43-101662-47
48	Stk	Run Capacitor - Compressor	43-101666-37	N/A	N/A
	Stk	Compressor Wiring Harness (Molded Plug)	45-100834-80	45-100834-80	45-100834-80

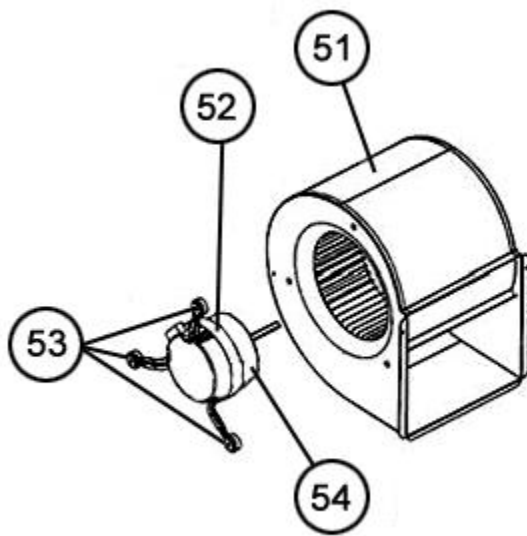
No.	Notes	MODEL TECHNICAL VARIATION COOLING CAPACITY ELECTRICAL DESIGNATION	RSPM A 024 J	RSPM A 030 J	RSPM A 036 J
HEATER KITS					
		Heater Kit (5 kW)	RXQJ-C05J	RXQJ-C05J	RXQJ-C05J
		Heater Kit (7 kW)	RXQJ-C07J	RXQJ-C07J	RXQJ-C07J
		Heater Kit (10 kW)	RXQJ-C10J	RXQJ-C10J	RXQJ-C10J
		Heater Kit (15 kW)	N/A	RXQJ-C15J	RXQJ-C15J
No.	Notes	MODEL TECHNICAL VARIATION COOLING CAPACITY ELECTRICAL DESIGNATION	RSPM A 043 J	RSPM A 048 J	RSPM A 060 J
HEATER KITS					
		Heater Kit (5 kW)	RXQJ-C05J	RXQJ-C05J	RXQJ-C05J
		Heater Kit (7 kW)	RXQJ-C07J	RXQJ-C07J	RXQJ-C07J
		Heater Kit (10 kW)	RXQJ-C10J	RXQJ-C10J	RXQJ-C10J
		Heater Kit (15 kW)	RXQJ-C15J	RXQJ-C15J	RXQJ-C15J
		Heater Kit (20 kW)	RXQJ-C20J	RXQJ-C20J	RXQJ-C20J
No.	Notes	MODEL TECHNICAL VARIATION COOLING CAPACITY ELECTRICAL DESIGNATION	RSPM A ALL ALL		
ACCESSORIES					
		Outdoor Thermostat	RXPT-A01		



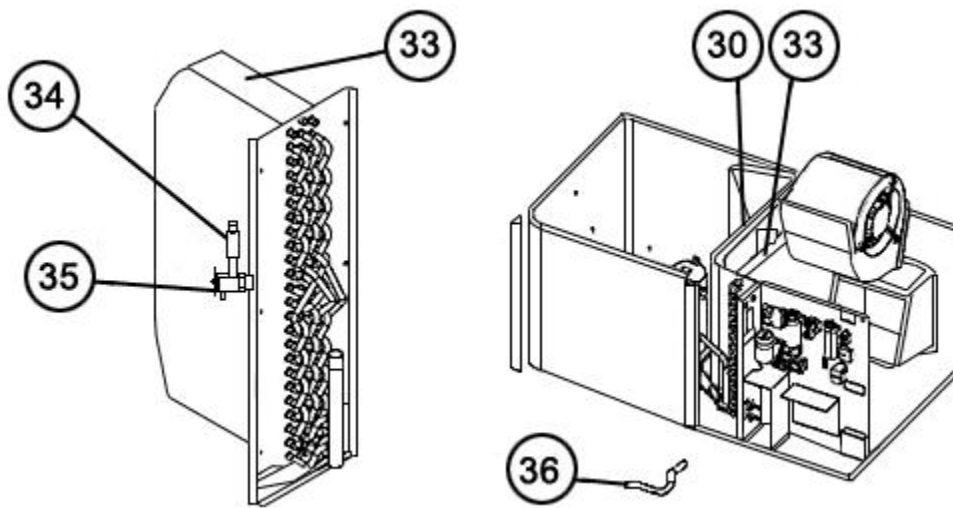
Exploded View



Control Panel



Blower Assembly



Coil Assembly

NOTES

Stk It is recommended that stock be maintained for this part.
N/A Not Applicable

DISCLAIMER: This document is intended to provide general replacement parts information to aid qualified service personnel in the repair of these models. The complete Model and Serial Number of the unit under repair should be specified when selecting and ordering replacement parts. Specifications and illustrations are subject to change without notice. Document 92-42800-RSPM supersedes all previous parts lists for these models. See <http://www.rheempartslists.net/92-42800-RSPM> for the latest revision of this document. The manufacturer assumes no obligation for errors or omissions. Service personnel must verify the proper and safe operation of equipment after the replacement of any original components.