



RP15

Parts List
02-August-2016



*This parts list is current as of the above revision date.
See <http://www.rheempartslists.net/92-42800-RP15.pdf> for the current revision.*

Heat Pumps

Table of Contents

Model Explanation	Page 3
Parts Numbers	
Panels (1)	Page 4
Panels (2)	Page 5
Electrical-Fan Group (1)	Page 6
Electrical-Fan Group (2)	Page 7
Coil Parts (1)	Page 8
Coil Parts (2)	Page 9
Compressor Group (1)	Page 10
Compressor Group (2)	Page 11
Accessories	Page 12
Drawings/Photographs	
Exploded View	Page 13
Control Box	Page 14
Valve Mounting, Compressor	Page 15
Strainers	Page 16
Notes/Disclaimer	Page 17

MODEL NUMBER EXPLANATION

R	P	1	5	1	8	A	J	1	N	A
1	2	3	4	5	6	7	8	9		

- | | |
|---|--|
| <p>(1) Brand</p> <p>(2) Product Category
P = Heat Pump</p> <p>(3) Seer
15 = 15 SEER</p> <p>(4) COOLING CAPACITY (BTU/HR)
018 = 18,000
024 = 24,000
030 = 30,000
036 = 36,000
042 = 42,000
048 = 48,000
060 = 60,000</p> | <p>(5) MAJOR SERIES
A = First Major Design Series
B = Second Major Design Series</p> <p>(6) VOLTAGE
J = 208-230/1/60
C = 208-230/3/60
D = 460/3/60</p> <p>(7) TYPE
1 = Single Stage</p> <p>(8) CONTROLS
N = Non-Communicating</p> <p>(9) MINOR SERIES
A = First Design Series</p> |
|---|--|

SERIAL NUMBER EXPLANATION

W	0	8	1	3	9	9	9	9
(1)	(2)	(3)	(4)					

- (1) PLANT CODE**
W = West Nuevo Laredo
- (2) WEEK OF PRODUCTION**
- (3) YEAR OF PRODUCTION**
- (4) PRODUCTION NUMBER**

Note: For Compressor Identification Number, see Compressor Code on Rating Plate

No.	Notes	MODEL COOLING CAPACITY VARIATION	RP15 18 AJ1NA	RP15 24 AJ1NA	RP15 30 AJ1NA	RP15 36 AC1NA	RP15 36 AJ1NA	RP15 42 AC1NA
SHEET METAL PARTS, MISCELLANEOUS								
1		Front Panel	AE-104456-07	AE-104456-07	AE-104456-22	AE-104456-25	AE-104456-25	AE-104456-25
2		Left Panel (Badge Panel)	AE-104456-09	AE-104456-09	AE-104456-24	AE-104456-41	AE-104456-41	AE-104456-41
3		Back Panel	AE-104456-08	AE-104456-08	AE-104456-23	AE-104456-26	AE-104456-26	AE-104456-26
4		Right Panel	AE-104456-10	AE-104456-07	AE-104456-22	AE-104456-25	AE-104456-25	AE-104456-25
5		Base Pan	68-104457-01	68-104457-01	68-104457-02	68-104457-02	68-104457-02	68-104457-02
6		Control Box	AE-104461-01	AE-104461-01	AE-104461-01	AE-104461-01	AE-104461-01	AE-104461-01
7		Control Box Cover	AS-104462-01H	AS-104462-01H	AS-104462-01H	AS-104462-01H	AS-104462-01H	AS-104462-01H
8		Control Box Bracket	AS-104460-01H	AS-104460-01H	AS-104460-03H	AS-104460-04H	AS-104460-04H	AS-104460-04H
9		Service Door	AS-104525-01H	AS-104525-01H	AS-104525-01H	AS-104525-01H	AS-104525-01H	AS-104525-01H
10		Center Post (2)	AS-104459-01H	AS-104459-01H	AS-104459-05H	AS-104459-07H	AS-104459-07H	AS-104459-07H
12		Corner Post - Solid	AS-104469-08H (1)	N/A	N/A	N/A	N/A	N/A
12		Corner Post - Louvered	AS-104469-01H (2)	AS-104469-01H (3)	AS-104469-03H (3)	AS-104469-04H (3)	AS-104469-04H (3)	AS-104469-04H (3)
13		Top Panel	AS-104458-01H	AS-104458-01H	AS-104458-02H	AS-104458-02H	AS-104458-02H	AS-104458-02H
14		Venturi	68-104464-02	68-104464-02	68-104464-04	68-104464-06	68-104464-06	68-104464-04
15		Grille	95-104620-01	95-104620-01	95-104620-02	95-104620-02	95-104620-02	95-104620-02
		Center Cap - Blank (for Grille)	91-101123-00	91-101123-00	91-101123-00	91-101123-00	91-101123-00	91-101123-00
		Service Valve - Suction	See Coil Group					
		Service Valve - Liquid	See Coil Group					
		Touch-up Paint - Granite/Steel Gray (Aerosol)	PD523018	PD523018	PD523018	PD523018	PD523018	PD523018
		Touch-up Paint - Granite/Steel Gray (Paint Pens)	PD523019	PD523019	PD523019	PD523019	PD523019	PD523019

No.	Notes	MODEL COOLING CAPACITY VARIATION	RP15 18 BJ1NA	RP15 24 BJ1NA	RP15 30 BJ1NA			
SHEET METAL PARTS, MISCELLANEOUS								
1		Front Panel	AE-104456-07	AE-104456-07	AE-104456-22			
2		Left Panel (Badge Panel)	AE-104456-09	AE-104456-09	AE-104456-24			
3		Back Panel	AE-104456-08	AE-104456-08	AE-104456-23			
4		Right Panel	AE-104456-07	AE-104456-07	AE-104456-22			
5		Base Pan	68-104457-01	68-104457-01	68-104457-02			
6		Control Box	AE-104461-01	AE-104461-01	AE-104461-01			
7		Control Box Cover	AS-104462-01H	AS-104462-01H	AS-104462-01H			
8		Control Box Bracket	AS-104460-01H	AS-104460-01H	AS-104460-03H			
9		Service Door	AS-104525-01H	AS-104525-01H	AS-104525-01H			
10		Center Post (2)	AS-104459-01H	AS-104459-01H	AS-104459-05H			
12		Corner Post - Solid	AS-104469-08H (1)	N/A	N/A			
12		Corner Post - Louvered	AS-104469-01H (2)	AS-104469-01H (3)	AS-104469-03H (3)			
13		Top Panel	AS-104458-01H	AS-104458-01H	AS-104458-02H			
14		Venturi	68-104464-02	68-104464-02	68-104464-04			
15		Grille	95-104620-01	95-104620-01	95-104620-02			
		Center Cap - Blank (for Grille)	91-101123-00	91-101123-00	91-101123-00			
		Service Valve - Suction	See Coil Group					
		Service Valve - Liquid	See Coil Group					
		Touch-up Paint - Granite/Steel Gray (Aerosol)	PD523018	PD523018	PD523018			
		Touch-up Paint - Granite/Steel Gray (Paint Pens)	PD523019	PD523019	PD523019			

No.	Notes	MODEL COOLING CAPACITY VARIATION	RP15 42 AJ1NA	RP15 48 AC1NA	RP15 48 AJ1NA	RP15 60 AC1NA	RP15 60 AJ1NA		
SHEET METAL PARTS, MISCELLANEOUS									
1		Front Panel	AE-104456-25	AE-104456-43	AE-104456-43	AE-104456-46	AE-104456-46		
2		Left Panel (Badge Panel)	AE-104456-41	AE-104456-56	AE-104456-56	AE-104456-57	AE-104456-57		
3		Back Panel	AE-104456-26	AE-104456-44	AE-104456-44	AE-104456-47	AE-104456-47		
4		Right Panel	AE-104456-25	AE-104456-43	AE-104456-43	AE-104456-46	AE-104456-46		
5		Base Pan	68-104457-02	68-104457-03	68-104457-03	68-104457-03	68-104457-03		
6		Control Box	AE-104461-01	AE-104461-01	AE-104461-01	AE-104461-01	AE-104461-01		
7		Control Box Cover	AS-104462-01H	AS-104462-01H	AS-104462-01H	AS-104462-01H	AS-104462-01H		
8		Control Box Bracket	AS-104460-04H	AS-104460-05H	AS-104460-05H	AS-104460-06H	AS-104460-06H		
9		Service Door	AS-104525-01H	AS-104525-01H	AS-104525-01H	AS-104525-01H	AS-104525-01H		
10		Center Post (2)	AS-104459-07H	AS-104459-09H	AS-104459-09H	AS-104459-11H	AS-104459-11H		
12		Corner Post - Louvered	AS-104469-04H (3)	AS-104469-05H (3)	AS-104469-05H (3)	AS-104469-06H (3)	AS-104469-06H (3)		
13		Top Panel	AS-104458-02H	AS-104458-03H	AS-104458-03H	AS-104458-03H	AS-104458-03H		
14		Venturi	68-104464-04	68-104464-07	68-104464-07	68-104464-05	68-104464-05		
15		Grille	95-104620-02	95-104620-03	95-104620-03	95-104620-03	95-104620-03		
		Center Cap - Blank (for Grille)	91-101123-00	91-101123-00	91-101123-00	91-101123-00	91-101123-00		
		Service Valve - Suction	See Coil Group						
		Service Valve - Liquid	See Coil Group						
		Touch-up Paint - Granite/Steel Gray (Aerosol)	PD523018	PD523018	PD523018	PD523018	PD523018		
		Touch-up Paint - Granite/Steel Gray (Paint Pens)	PD523019	PD523019	PD523019	PD523019	PD523019		

No.	Notes	MODEL COOLING CAPACITY VARIATION	RP15 18 AJ1NA	RP15 24 AJ1NA	RP15 30 AJ1NA	RP15 36 AC1NA	RP15 36 AJ1NA	RP15 42 AC1NA
ELECTRICAL/FAN GROUP								
20	Stk	Fan Motor	51-101774-23	51-102008-17	51-101774-32	51-102728-19	51-102728-19	51-101774-31
21	Stk	Fan Blade	70-101323-26	70-101323-33	70-101323-35	70-101323-41	70-101323-30	70-101323-34
22	Stk	Contactora	42-102664-05	42-102664-05	42-102664-05	42-102664-14	42-102664-05	42-102664-14
23		Capacitor	See Compressor Group					
23a		Capacitor Strap	AE-104562-01	AE-104562-01	AE-104562-01	AE-104562-01	AE-104562-01	AE-104562-01
24	Stk	Defrost Control Board	47-102685-06	47-102685-06	47-102685-06	47-102685-06	47-102685-06	47-102685-06
25		Crankcase Heater	See Compressor Group					
26		Grounding Lug	45-19000-01	45-19000-01	45-19000-01	45-19000-01	45-19000-01	45-19000-01
		Low Ambient Control	See Accessories Group					
27	Stk	Low Pressure Control	47-103670-05	47-103670-05	47-103670-05	47-103670-05	47-103670-05	47-103670-05
27a		Valve Body - Low Pressure Control	61-18542-01	61-18542-01	61-18542-01	61-18542-01	61-18542-01	61-18542-01
28	Stk	High Pressure Control	47-103669-01	47-103669-01	47-103669-01	47-103669-01	47-103669-01	47-103669-01

No.	Notes	MODEL COOLING CAPACITY VARIATION	RP15 18 BJ1NA	RP15 24 BJ1NA	RP15 30 BJ1NA			
ELECTRICAL/FAN GROUP								
20	Stk	Fan Motor	51-102008-18	51-102008-17	51-101774-32			
21	Stk	Fan Blade	70-101323-26	70-101323-33	70-101323-35			
22	Stk	Contactora	42-102664-05	42-102664-05	42-102664-05			
23		Capacitor	See Compressor Group					
23a		Capacitor Strap	AE-104562-01	AE-104562-01	AE-104562-01			
24	Stk	Defrost Control Board	47-102685-06	47-102685-06	47-102685-06			
25		Crankcase Heater	See Compressor Group					
26		Grounding Lug	45-19000-01	45-19000-01	45-19000-01			
		Low Ambient Control	See Accessories Group					
27	Stk	Low Pressure Control	47-103670-05	47-103670-05	47-103670-05			
27a		Valve Body - Low Pressure Control	61-18542-01	61-18542-01	61-18542-01			
28	Stk	High Pressure Control	47-103669-01	47-103669-01	47-103669-01			

No.	Notes	MODEL COOLING CAPACITY VARIATION	RP15 42 AJ1NA	RP15 48 AC1NA	RP15 48 AJ1NA	RP15 60 AC1NA	RP15 60 AJ1NA		
ELECTRICAL/FAN GROUP									
20	Stk	Fan Motor	51-101774-32	51-102728-13	51-102728-13	51-102008-07	51-101774-03		
21	Stk	Fan Blade	70-101323-34	70-101323-29	70-101323-29	70-101323-34	70-101323-29		
22	Stk	Contactora	42-102664-05	42-102664-14	42-102664-10	42-102664-14	42-102664-10		
23		Capacitor	See Compressor Group						
23a		Capacitor Strap	AE-104562-01	AE-104562-01	AE-104562-01	AE-104562-01	AE-104562-01		
24	Stk	Defrost Control Board	47-102685-06	47-102685-06	47-102685-06	47-102685-06	47-102685-06		
25		Crankcase Heater	See Accessories Group	44-103663-13	44-103663-13	44-103663-13	44-103663-13		
26		Grounding Lug	45-19000-01	45-19000-01	45-19000-01	45-19000-01	45-19000-01		
		Low Ambient Control	See Accessories Group						
27	Stk	Low Pressure Control	47-103670-05	47-103670-05	47-103670-05	47-103670-10	47-103670-10		
27a		Valve Body - Low Pressure Control	61-18542-01	61-18542-01	61-18542-01	61-18542-01	61-18542-01		
28	Stk	High Pressure Control	47-103669-01	47-103669-01	47-103669-01	47-103669-01	47-103669-01		

No.	Notes	MODEL COOLING CAPACITY VARIATION	RP15 18 AJ1NA	RP15 24 AJ1NA	RP15 30 AJ1NA	RP15 36 AC1NA	RP15 36 AJ1NA	RP15 42 AC1NA
COIL GROUP								
30	Stk	Condenser Coil	AS-104981-03	AS-105088-03	AS-105090-03	AS-105093-03	AS-105093-03	AS-105034-03
31		Service Valve - Suction	61-104914-03	61-104914-03	61-104914-03	61-104914-03	61-104914-03	61-104914-04
31a		Strainer - Suction	See Compressor Group					
32		Service Valve - Liquid	61-104914-01	61-104914-01	61-104914-01	61-104914-01	61-104914-01	61-104914-01
32a		Strainer - Liquid	See Compressor Group					
33		Bulkhead Valve	61-22369-04	61-22369-04	61-22369-04	61-22369-04	61-22369-04	61-22369-04
33a		Valve Core	61-18551-01	61-18551-01	61-18551-01	61-18551-01	61-18551-01	61-18551-01
33b		Valve Cap	83-100635-01	83-100635-01	83-100635-01	83-100635-01	83-100635-01	83-100635-01
		Locknut - Bulkhead Valve	63-22368-01	63-22368-01	63-22368-01	63-22368-01	63-22368-01	63-22368-01
27	Stk	Low Pressure Control	See Electrical Group					
28	Stk	High Pressure Control	See Electrical Group					
	Stk	Filter Drier	83-41719-04	83-41719-04	83-41719-04	83-41719-04	83-41719-04	83-41719-04
		Charge Compensator	83-104499-01	N/A	N/A	N/A	N/A	N/A
29a	Stk	TXV/Distributor Assembly	61-105025-01	61-105025-08	61-105025-09	61-105025-10	61-105025-10	61-105025-06
29b	Stk	Reversing Valve	61-102498-04	61-102498-04	61-102498-09	61-102498-09	61-102498-09	61-102498-09
	Stk	Solenoid Coil - Reversing Valve	61-101713-92	61-101713-92	61-101713-92	61-101713-92	61-101713-92	61-101713-92
		Wiring Harness - Reversing Valve	61-26149-03	61-26149-03	61-26149-03	61-26149-03	61-26149-03	61-26149-03

No.	Notes	MODEL COOLING CAPACITY VARIATION	RP15 18 BJ1NA	RP15 24 BJ1NA	RP15 30 BJ1NA			
COIL GROUP								
30	Stk	Condenser Coil	AS-104981-03	AS-105088-03	AS-105090-03			
31		Service Valve - Suction	61-104914-03	61-104914-03	61-104914-03			
31a		Strainer - Suction	See Compressor Group					
32		Service Valve - Liquid	61-104914-01	61-104914-01	61-104914-01			
32a		Strainer - Liquid	See Compressor Group					
33		Bulkhead Valve	61-22369-04	61-22369-04	61-22369-04			
33a		Valve Core	61-18551-01	61-18551-01	61-18551-01			
33b		Valve Cap	83-100635-01	83-100635-01	83-100635-01			
		Locknut - Bulkhead Valve	63-22368-01	63-22368-01	63-22368-01			
27	Stk	Low Pressure Control	See Electrical Group					
28	Stk	High Pressure Control	See Electrical Group					
	Stk	Filter Drier	83-41719-04	83-41719-04	83-41719-04			
		Charge Compensator	83-104499-02	83-104499-01	N/A			
29a	Stk	TXV/Distributor Assembly	61-105025-01	61-105025-08	61-105025-09			
29b	Stk	Reversing Valve	61-102498-04	61-102498-04	61-102498-09			
	Stk	Solenoid Coil - Reversing Valve	61-101713-92	61-101713-92	61-101713-92			
		Wiring Harness - Reversing Valve	61-26149-03	61-26149-03	61-26149-03			

No.	Notes	MODEL COOLING CAPACITY VARIATION	RP15 42 AJ1NA	RP15 48 AC1NA	RP15 48 AJ1NA	RP15 60 AC1NA	RP15 60 AJ1NA		
COIL GROUP									
30	Stk	Condenser Coil	AS-105034-03	AS-105095-03	AS-105095-03	AS-105214-03	AS-105214-03		
31		Service Valve - Suction	61-104914-04	61-104914-04	61-104914-04	61-104914-04	61-104914-04		
31a		Strainer - Suction	See Compressor Group						
32		Service Valve - Liquid	61-104914-01	61-104914-01	61-104914-01	61-104914-01	61-104914-01		
32a		Strainer - Liquid	See Compressor Group						
33		Bulkhead Valve	61-22369-04	61-22369-04	61-22369-04	61-22369-04	61-22369-04		
33a		Valve Core	61-18551-01	61-18551-01	61-18551-01	61-18551-01	61-18551-01		
33b		Valve Cap	83-100635-01	83-100635-01	83-100635-01	83-100635-01	83-100635-01		
		Locknut - Bulkhead Valve	63-22368-01	63-22368-01	63-22368-01	63-22368-01	63-22368-01		
27	Stk	Low Pressure Control	See Electrical Group						
28	Stk	High Pressure Control	See Electrical Group						
	Stk	Filter Drier	83-41719-04	83-41719-04	83-41719-04	83-41719-04	83-41719-04		
		Charge Compensator	N/A	83-104499-11	83-104499-11	83-104499-11	83-104499-11		
29a	Stk	TXV/Distributor Assembly	61-105025-06	61-105025-12	61-105025-12	61-105025-13	61-105025-13		
29b	Stk	Reversing Valve	61-102498-09	61-102498-06	61-102498-06	61-102498-06	61-102498-06		
	Stk	Solenoid Coil - Reversing Valve	61-101713-92	61-101713-92	61-101713-92	61-101713-92	61-101713-92		
		Wiring Harness - Reversing Valve	61-26149-03	61-26149-03	61-26149-03	61-26149-03	61-26149-03		

No.	Notes	MODEL COOLING CAPACITY VARIATION	RP15 18 AJ1NA	RP15 24 AJ1NA	RP15 30 AJ1NA	RP15 36 AC1NA	RP15 36 AJ1NA	RP15 42 AC1NA
COMPRESSOR GROUP								
		Compressor ID:	9012	9013	9014	9038	9015	9039
40	Stk	Compressor	55-102045-120	55-102045-121	55-102045-123	55-102045-138S	55-102045-103S	55-102045-133S
		Compressor Grommet (4)	56-18518-04	56-18518-04	56-18518-04	56-18518-04	56-18518-04	56-18518-06
		Compressor Bolt (4)	63-20072-07	63-20072-07	63-20072-07	63-20072-07	63-20072-07	63-20072-07
23	Stk	Capacitor - Compressor/Fan	43-101665-60	43-101665-10	43-101665-61	N/A	43-101666-68	N/A
23	Stk	Capacitor - Fan	N/A	N/A	N/A	43-101666-68	N/A	43-101666-65
	Stk	Compressor Wiring Harness (Molded Plug)	45-100834-80	45-100834-80	45-100834-80	45-100834-80	45-100834-80	45-100834-80
25		Crankcase Heater	See Accessories					
31a		Strainer - Suction	83-25316-03	83-25316-03	83-25316-03	83-25316-03	83-25316-03	83-25316-04
32a		Strainer - Liquid	83-25316-02	83-25316-02	83-25316-02	83-25316-02	83-25316-02	83-25316-02
		Muffler	83-104416-01	83-104416-01	83-104416-01	83-104416-01	83-104416-01	83-104416-01
		Filter Drier	83-41719-04	83-41719-04	83-41719-04	83-41719-04	83-41719-04	83-41719-04
		Charge Compensator	See Coil Group					

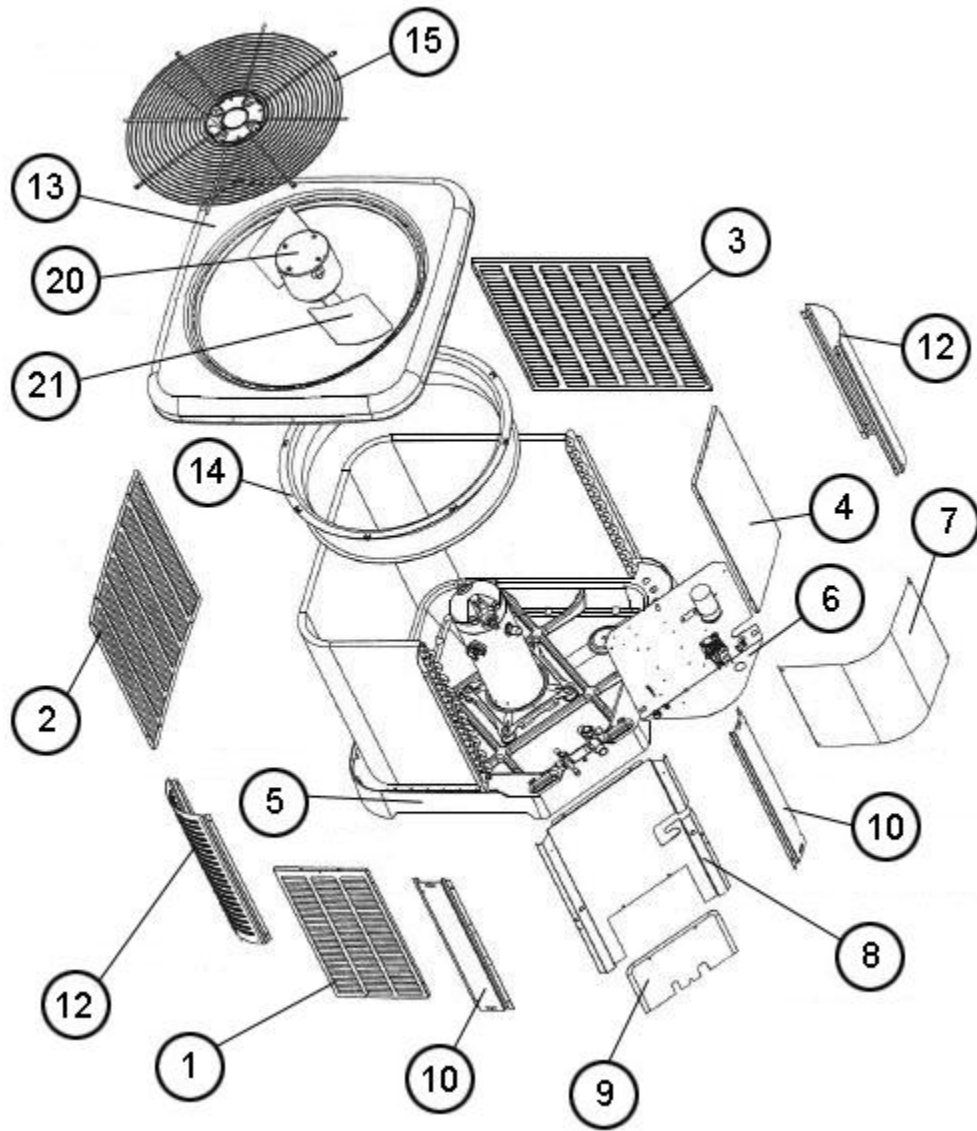
No.	Notes	MODEL COOLING CAPACITY VARIATION	RP15 18 BJ1NA	RP15 24 BJ1NA	RP15 30 BJ1NA			
COMPRESSOR GROUP								
		Compressor ID:	9092	9089	9093			
40	Stk	Compressor	55-102045-122S	55-102045-148	55-102045-143S			
		Compressor Grommet (4)	56-18518-04	56-18518-04	56-18518-04			
		Compressor Bolt (4)	63-20072-07	63-20072-07	63-20072-07			
23	Stk	Capacitor - Compressor/Fan	43-101665-60	43-101665-60	43-101665-61			
	Stk	Compressor Wiring Harness (Molded Plug)	45-100834-80	45-100834-80	45-100834-80			
25		Crankcase Heater	See Accessories					
31a		Strainer - Suction	83-25316-03	83-25316-03	83-25316-03			
32a		Strainer - Liquid	83-25316-02	83-25316-02	83-25316-02			
		Muffler	83-104416-01	83-104416-01	83-104416-01			
		Filter Drier	83-41719-04	83-41719-04	83-41719-04			
		Charge Compensator	See Coil Group					

No.	Notes	MODEL COOLING CAPACITY VARIATION	RP15 42 AJ1NA	RP15 48 AC1NA	RP15 48 AJ1NA	RP15 60 AC1NA	RP15 60 AJ1NA		
COMPRESSOR GROUP									
		Compressor ID:	9016	9040	9017	9041	9018		
40	Stk	Compressor	55-102045-126	55-102045-139S	55-102045-119S	55-102045-130S	55-102045-101S		
		Compressor Grommet (4)	56-18518-06	56-18518-06	56-18518-06	56-18518-06	56-18518-06		
		Compressor Bolt (4)	63-20072-07	63-20072-07	63-20072-07	63-20072-07	63-20072-07		
23	Stk	Capacitor - Compressor/Fan	43-101665-62	N/A	43-101666-68	N/A	43-101665-58		
23		Capacitor - Fan	N/A	43-101666-68	N/A	43-101666-62	N/A		
	Stk	Compressor Wiring Harness (Molded Plug)	45-100834-80	45-100834-80	45-100834-80	45-100834-80	45-100834-80		
25		Crankcase Heater	See Accessories	44-103663-13	44-103663-13	44-103663-13	44-103663-13		
31a		Strainer - Suction	83-25316-04	83-25316-04	83-25316-04	83-25316-04	83-25316-04		
32a		Strainer - Liquid	83-25316-02	83-25316-02	83-25316-02	83-25316-02	83-25316-02		
		Muffler	83-104416-01	83-104416-01	83-104416-01	83-104416-01	83-104416-01		
		Filter Drier	83-41719-04	83-41719-04	83-41719-04	83-41719-04	83-41719-04		
		Charge Compensator	See Coil Group						

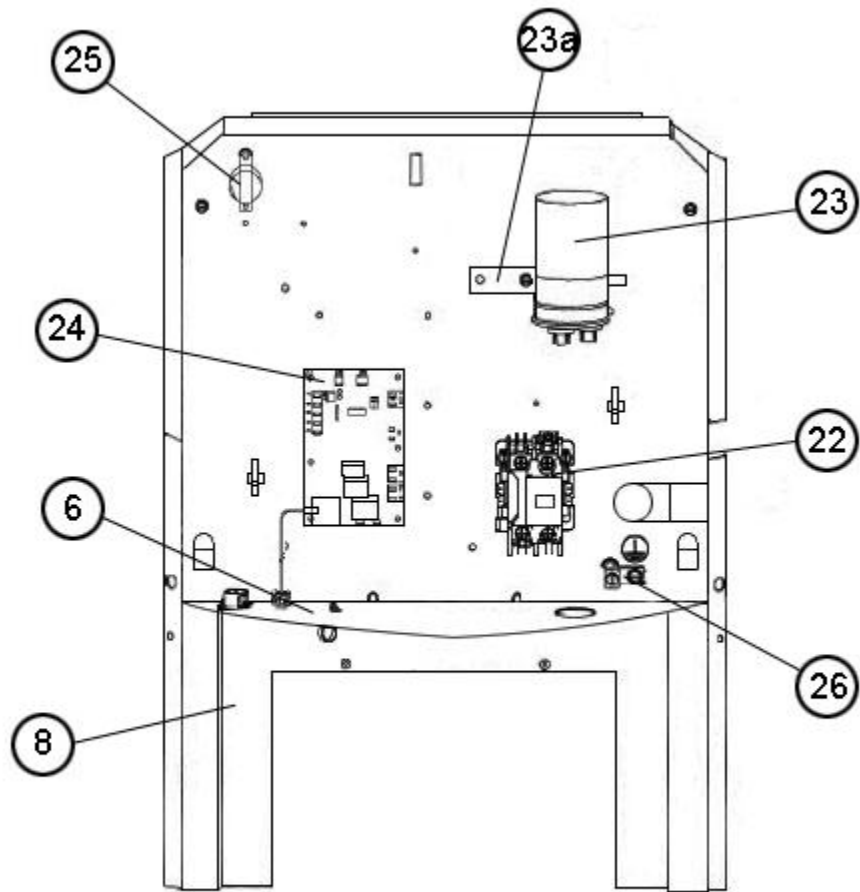
No.	Notes	MODEL COOLING CAPACITY VARIATION	RP15 18 AJ1NA	RP15 24 AJ1NA	RP15 30 AJ1NA	RP15 36 AC1NA	RP15 36 AJ1NA	RP15 42 AC1NA
ACCESSORIES								
		Low Ambient Control	RXAD-A08	RXAD-A08	RXAD-A08	RXAD-A08	RXAD-A08	RXAD-A08
		Compressor Crankcase Heater	44-17402-44	44-17402-44	44-17402-44	44-17402-44	44-17402-44	44-17402-45
		Compressor Sound Cover	68-23427-26	68-23427-26	68-23427-26	68-23427-26	68-23427-26	68-23427-25
		Compressor Hard Start Kit	SK-A1	SK-A1	SK-A1	SK-A1	SK-A1	SK-A1

No.	Notes	MODEL COOLING CAPACITY VARIATION	RP15 18 BJ1NA	RP15 24 BJ1NA	RP15 30 BJ1NA			
ACCESSORIES								
		Low Ambient Control	RXAD-A08	RXAD-A08	RXAD-A08			
		Compressor Crankcase Heater	44-17402-44	44-17402-44	44-17402-44			
		Compressor Sound Cover	68-23427-26	68-23427-26	68-23427-26			
		Compressor Hard Start Kit	SK-A1	SK-A1	SK-A1			

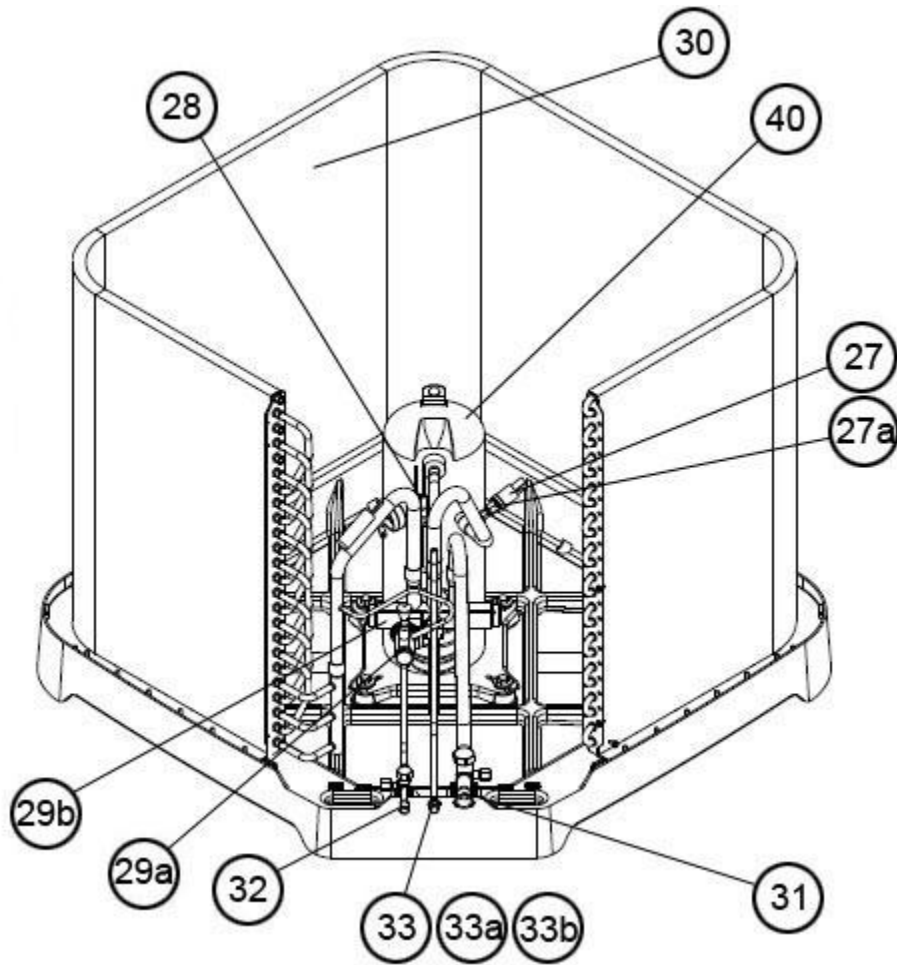
No.	Notes	MODEL COOLING CAPACITY VARIATION	RP15 42 AJ1NA	RP15 48 AC1NA	RP15 48 AJ1NA	RP15 60 AC1NA	RP15 60 AJ1NA	
ACCESSORIES								
		Low Ambient Control	RXAD-A08	RXAD-A08	RXAD-A08	RXAD-A08	RXAD-A08	
		Compressor Crankcase Heater	44-17402-45	See Compressor Group				
		Compressor Sound Cover	68-23427-25	68-23427-25	68-23427-25	68-23427-25	68-23427-25	
		Compressor Hard Start Kit	SK-A1	SK-A1	SK-A1	SK-A1	SK-A1	



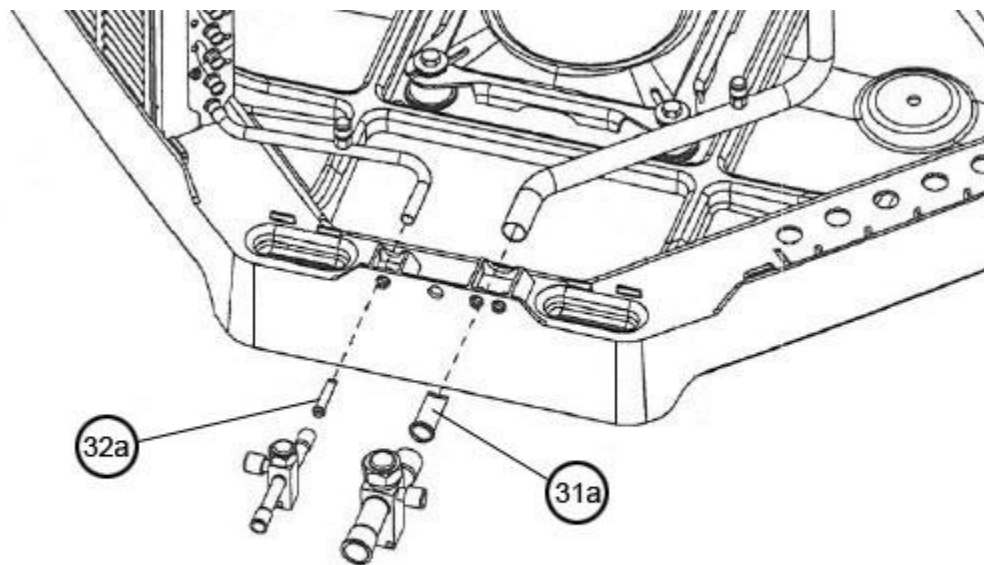
Exploded View



Control Box



Valve Mounting, Compressor



Strainers

NOTES

Stk It is recommended that stock be maintained for this part.
N/A Not Applicable

DISCLAIMER: This document is intended to provide general replacement parts information to aid qualified service personnel in the repair of these models. The complete Model and Serial Number of the unit under repair should be specified when selecting and ordering replacement parts. Specifications and illustrations are subject to change without notice. Document 92-42800-RP15 supersedes all previous parts lists for these models. See <http://www.rheempartslists.net/92-42800-RP15> for the latest revision of this document. The manufacturer assumes no obligation for errors or omissions. Service personnel must verify the proper and safe operation of equipment after the replacement of any original components.