



# RHPN

Parts List  
10-April-2014



*This parts list is current as of the above revision date.  
See <http://www.rheempartslists.net/92-42800-RHPN.pdf> for the current revision.*

**Air Handlers**

# Table of Contents

Model Explanation .....	Page 3
<b>Parts Numbers</b>	
Panels - Miscellaneous (Granite-Steel Gray) .....	Page 4
Panels - Miscellaneous (Neutra Green) .....	Page 5
Blower Group .....	Page 6
Electrical Group .....	Page 6
Coil Parts .....	Page 7
Heater Kits .....	Page 7
Accessories .....	Page 7
<b>Drawings/Photographs</b>	
Exploded View .....	Page 8
Blower Assembly .....	Page 9
Notes/Disclaimer .....	Page 10

**MODEL NUMBER EXPLANATION**

<b>R</b>	<b>H</b>	<b>P</b>	<b>N</b>	<b>-</b>	<b>HM</b>	<b>24</b>	<b>21</b>	<b>J</b>	<b>A</b>
1	2	3	4		5	6	7	8	9

- |          |  |          |  |
|----------|--|----------|--|
| <b>1</b> | <b>MODEL DESIGNATION</b>   | <b>7</b> | <b>CABINET SIZE</b><br>21 = 21 in.<br>24 = 24 in.                |
| <b>2</b> | <b>H = AIR HANDLER</b>   |          |  |
| <b>3</b> | <b>P = 18 SEER PREMIUM MODEL</b>   | <b>8</b> | <b>VOLTAGE</b><br>J = 208-240/1/60                               |
| <b>4</b> | <b>N = R-410A</b>  |          |  |
| <b>5</b> | <b>HM = A/C OR HP, MULTI-POSITION</b>  | <b>9</b> | <b>DESIGN VARIATION</b><br>A = First Design<br>C = Communicating |
| <b>6</b> | <b>CAPACITY (BTU/HR)</b><br>24 = 18,000 - 24,000<br>36 = 30-,000 - 36,000<br>48 = 42,000 - 48,000<br>60 = 60,000 |          |  |

**SERIAL NUMBER EXPLANATION**

<b>W</b>	<b>0</b>	<b>7</b>	<b>0</b>	<b>7</b>	<b>9</b>	<b>9</b>	<b>9</b>	<b>9</b>	<b>9</b>
1	2	3	4	5	6	7	8	9	10

- |          |                            |
|----------|----------------------------|
| <b>1</b> | <b>PRODUCTION LOCATION</b> |
| <b>2</b> | <b>WEEK OF PRODUCTION</b>  |
| <b>3</b> | <b>YEAR OF PRODUCTION</b>  |
| <b>4</b> | <b>PRODUCTION NUMBER</b>   |

No.	Notes	MODEL	RHPN	RHPN	RHPN	RHPN	RHPN	
		CAPACITY	24	24	36	48	60	
		CABINET SIZE	21	21	24	24	24	
		VOLTAGE	J	J	J	J	J	
		VARIATION	A	C	C	C	C	
<b>SHEET METAL PARTS, MISCELLANEOUS (Granite/Steel Gray, After Date Code: 0112 for JC / 0512 for JA)</b>								
1		Cabinet	AE-100682-32	AE-100682-32	AE-100682-35	AE-100682-35	AE-100682-35	
2		Coil Door	AE-100685-33	AE-100685-33	AE-100685-36	AE-100685-36	AE-100685-36	
3		Top Cover Plate	AE-100686-32	AE-100686-32	AE-100686-33	AE-100686-33	AE-100686-33	
4		Blower Door	AE-100684-32	AE-100684-32	AE-100684-33	AE-100684-33	AE-100684-33	
5		Access Panel	AE-101133-31	AE-101133-31	AE-101133-31	AE-101133-31	AE-101133-31	
6		Drain Pan - Vertical	See Coil Parts List					
7		Drain Pan - Horizontal	See Coil Parts List					
8		Plate - Block Off	AE-100455-01	AE-100455-01	AE-100455-01	AE-100455-01	AE-100455-01	
9		Cabinet Brace	AE-101134-03	AE-101134-03	AE-101134-04	AE-101134-04	AE-101134-04	
10		Middle Brace	AE-101054-02	AE-101054-02	AE-101054-03	AE-101054-03	AE-101054-03	
13a		Heat Barrier	AE-100683-05	AE-100683-05	AE-100683-08	AE-100683-08	AE-100683-08	
13b		Heat Barrier Side (2)	AE-104241-01	AE-104241-01	AE-104241-01	AE-104241-01	AE-104241-01	
		Insulation Retainer Rod (2)	45-102868-03	45-102868-03	45-102868-04	45-102868-04	45-102868-04	

No.	Notes	MODEL	RHPN	RHPN	RHPN	RHPN	RHPN
		CAPACITY	24	24	36	48	60
		CABINET SIZE	21	21	24	24	24
		VOLTAGE	J	J	J	J	J
		VARIATION	A	C	C	C	C
<b>SHEET METAL PARTS, MISCELLANEOUS (Neutra Green, Before Date Code: 0112 for JC / 0512 for JA)</b>							
1	Cabinet		AE-100682-02	AE-100682-02	AE-100682-05	AE-100682-05	AE-100682-05
2	Coil Door		AE-100685-03	AE-100685-03	AE-100685-06	AE-100685-06	AE-100685-06
3	Top Cover Plate		AE-100686-02	AE-100686-02	AE-100686-03	AE-100686-03	AE-100686-03
4	Blower Door		AE-100684-02	AE-100684-02	AE-100684-03	AE-100684-03	AE-100684-03
5	Access Panel		AE-101133-01	AE-101133-01	AE-101133-01	AE-101133-01	AE-101133-01
6	Drain Pan - Vertical		See Coil Parts List				
7	Drain Pan - Horizontal		See Coil Parts List				
8	Plate - Block Off		AE-100455-01	AE-100455-01	AE-100455-01	AE-100455-01	AE-100455-01
9	Cabinet Brace		AE-101134-03	AE-101134-03	AE-101134-04	AE-101134-04	AE-101134-04
10	Middle Brace		AE-101054-02	AE-101054-02	AE-101054-03	AE-101054-03	AE-101054-03
13a	Heat Barrier		AE-100683-05	AE-100683-05	AE-100683-08	AE-100683-08	AE-100683-08
13b	Heat Barrier Side (2)		AE-104241-01	AE-104241-01	AE-104241-01	AE-104241-01	AE-104241-01
	Insulation Retainer Rod (2)		45-102868-03	45-102868-03	45-102868-04	45-102868-04	45-102868-04

No.	Notes	MODEL CAPACITY CABINET SIZE VOLTAGE VARIATION	RHPN	RHPN	RHPN	RHPN	RHPN
			24 21 J A	24 21 J C	36 24 J C	48 24 J C	60 24 J C
<b>ELECTRICAL GROUP</b>							
17	Stk	Transformer	46-101944-03	46-101944-03	46-101944-03	46-101944-03	46-101944-03
18	Stk	Control Board - ECM	47-102077-03	47-102606-00	47-102606-00	47-102606-00	47-102606-00
		Control - Identity EEPROM (Before W0111)	N/A	47-102738-41	47-102738-38	47-102738-39	47-102738-40
		Control - Identity EEPROM (On or After W0111)	N/A	47-102738-46	47-102738-47	47-102738-48	47-102738-49
		Wiring Harness - 5 pin to 3 terminals (2 straight/1 ring), 3 wires from plug	45-24258-16	45-24258-16	45-24258-16	45-24258-16	45-24258-16
		Wiring Harness - 9 pin to 9 strip leads (For T-Stat)	45-101891-02	N/A	N/A	N/A	N/A
		Wiring Harness - 16 pin to 16 pin (Indoor Blower Motor)	45-24258-14	N/A	N/A	N/A	N/A
		Wiring Harness - 4 pin to 4 pin (Indoor Blower Motor)	N/A	45-24258-25	45-24258-25	45-24258-25	45-24258-25
		Wiring Harness - 11 pin to 11 strip leads (T-stat)	N/A	45-101891-04	45-101891-04	45-101891-04	45-101891-04
11		Terminal Block	45-23222-02	45-23222-02	45-23222-02	45-23222-02	45-23222-02

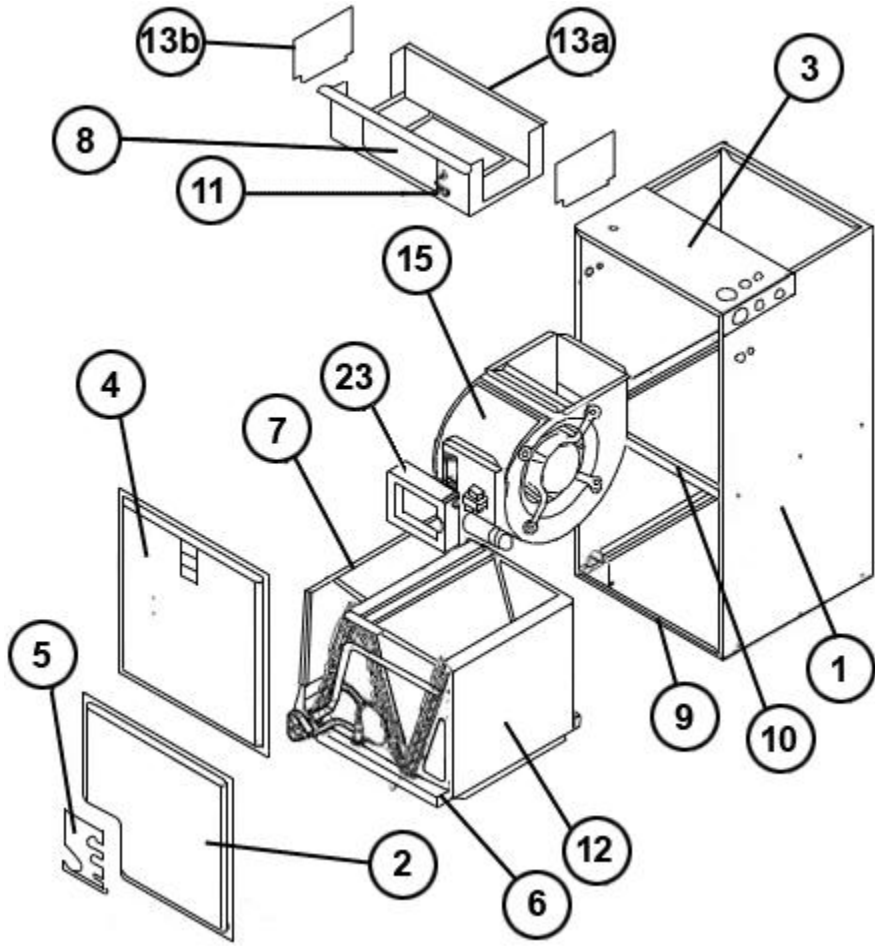
No.	Notes	MODEL CAPACITY CABINET SIZE VOLTAGE VARIATION	RHPN	RHPN	RHPN	RHPN
			24 21 J C	36 24 J C	48 24 J C	60 24 J C
<b>BLOWER GROUP</b>						
15	Stk	Blower Assembly (Includes items 16-22)	AS-101885-11	AS-101885-13	AS-101885-13	AS-101885-13
16		Mounting Bracket - Control Board	AE-101049-01	AE-101049-01	AE-101049-01	AE-101049-01
17		Transformer	See Electrical Group			
18		Control Board - ECM	See Electrical Group			
19		Blower Housing w/Wheel	70-101729-02	70-101729-04	70-101729-04	70-101729-04
20		Motor Mount - Band	70-19927-04	70-19927-04	70-19927-04	70-19927-04
21		Motor Mount - Arm (4)	70-19929-10	70-19929-10	70-19929-10	70-19929-10
22	Stk,2	Blower Motor - ECM (See Note 2)	51-102601-01	51-102603-01	51-102603-01	51-102603-01
	Stk,2	ECM Motor Module - U.S. Motors PerfectSpeed (See Note 2)	51-104362-04	51-104362-02	51-104362-02	51-104362-02
	Stk,2	ECM Motor Module - Genteq ECM 3.0 (See Note 2)	51-103225-01	51-103224-01	51-103224-01	51-103224-01
	Stk	Blower Wheel	703014	703015	703015	703015
		Wiring Harness - Indoor Blower Motor	See Electrical Group			
23		Mounting Bracket Cover	AE-101797-01	AE-101797-01	AE-101797-01	AE-101797-01

No.	Notes	MODEL CAPACITY CABINET SIZE VOLTAGE VARIATION	RHPN			
			24 21 J A			
<b>BLOWER GROUP</b>						
15	Stk	Blower Assembly (Includes items 16-22)	AS-101885-09			
16		Mounting Bracket - Control Board	AE-101049-01			
17		Transformer	See Electrical Group			
18		Control Board - ECM	See Electrical Group			
19		Blower Housing w/Wheel	70-101729-02			
20		Motor Mount - Band	70-19927-04			
21		Motor Mount - Arm (4)	70-19929-10			
22	Stk	Blower Motor - ECM (Includes Motor and Module)	51-24373-09			
	Stk	ECM Motor Module	51-24381-97			
	Stk	Blower Wheel	703014			
		Wiring Harness - Indoor Blower Motor	See Electrical Group			
23		Mounting Bracket Cover	AE-101797-01			

No.	Notes	MODEL	RHPN	RHPN	RHPN	RHPN	RHPN
		CAPACITY	24	24	36	48	60
		CABINET SIZE	21	21	24	24	24
		VOLTAGE	J	J	J	J	J
		VARIATION	A	C	C	C	C
<b>COIL GROUP</b>							
12	1	Replacement Coil w/TXV - Before Date Code Indicated (XXXX) - See Note 1	RCSN-HM2421AU (N/A)	RCSN-HM2421AU (0310)	RCSN-HM3624AU (0310)	RCSN-HM4824AU (0310)	RCSN-HM6024AU (0310)
12	1	Replacement Coil w/TXV - After Date Code Indicated (XXXX) - See Note 1	RCSN-HM2421AU (N/A)	RCSN-HU2421CU (0310)	RCSN-HU3624CU (0310)	RCSN-HU4824CU (0310)	RCSN-HU6024CU (0310)
		TXV	See Coil Parts List				
		Drain Pan	See Coil Parts List				

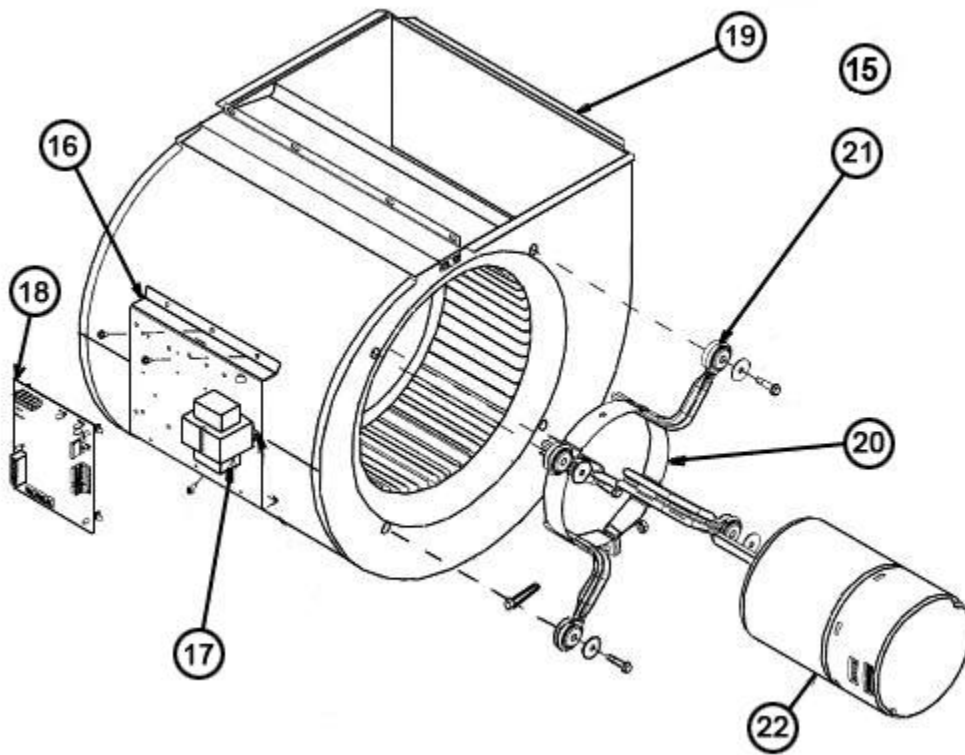
No.	Notes	MODEL	RHPN	RHPN	RHPN	RHPN	RHPN
		CAPACITY	24	24	36	48	60
		CABINET SIZE	21	21	24	24	24
		VOLTAGE	J	J	J	J	J
		VARIATION	A	C	C	C	C
<b>HEATER KITS</b>							
		Heater Kit - 5kW	RXBH-24A05J RXBH-1724A05J RXBH-1724B05J RXBH-1724C05J	RXBH-24A05J RXBH-1724A05J RXBH-1724B05J RXBH-1724C05J	RXBH-24A05J RXBH-1724A05J RXBH-1724B05J RXBH-1724C05J	RXBH-24A05J RXBH-1724A05J RXBH-1724B05J RXBH-1724C05J	RXBH-24A05J RXBH-1724A05J RXBH-1724B05J RXBH-1724C05J
		Heater Kit - 7kW	RXBH-24A07J RXBH-1724A07J RXBH-1724B07J RXBH-1724C07J	RXBH-24A07J RXBH-1724A07J RXBH-1724B07J RXBH-1724C07J	RXBH-24A07J RXBH-1724A07J RXBH-1724B07J RXBH-1724C07J	RXBH-24A07J RXBH-1724A07J RXBH-1724B07J RXBH-1724C07J	RXBH-24A07J RXBH-1724A07J RXBH-1724B07J RXBH-1724C07J
		Heater Kit - 10kW	RXBH-24A10J RXBH-1724A10J RXBH-1724B10J RXBH-1724C10J	RXBH-24A10J RXBH-1724A10J RXBH-1724B10J RXBH-1724C10J	RXBH-24A10J RXBH-1724A10J RXBH-1724B10J RXBH-1724C10J	RXBH-24A10J RXBH-1724A10J RXBH-1724B10J RXBH-1724C10J	RXBH-24A10J RXBH-1724A10J RXBH-1724B10J RXBH-1724C10J
		Heater Kit - 15kW	N/A	N/A	RXBH-24A15J RXBH-1724A15J	RXBH-24A15J RXBH-1724A15J	RXBH-24A15J RXBH-1724A15J
		Heater Kit - 18kW	N/A	N/A	RXBH-24A18J RXBH-1724A18J	RXBH-24A18J RXBH-1724A18J	RXBH-24A18J RXBH-1724A18J
		Heater Kit - 20kW	N/A	N/A	RXBH-24A20J	RXBH-24A20J	RXBH-24A20J
		Heater Kit - 25kW	N/A	N/A	N/A	RXBH-24A25J	RXBH-24A25J
		Heater Kit - 30kW	N/A	N/A	N/A	N/A	RXBH-24A30J

No.	Notes	MODEL	RHPN	RHPN	RHPN	RHPN	RHPN
		CAPACITY	24	24	36	48	60
		CABINET SIZE	21	21	24	24	24
		VOLTAGE	J	J	J	J	J
		VARIATION	A	C	C	C	C
<b>ACCESSORIES</b>							
		Auxiliary Horizontal Overflow Pan	RXBM-AC48	RXBM-AC48	RXBM-AC61	RXBM-AC61	RXBM-AC61



Exploded View





Blower Assembly

# NOTES

Stk It is recommended that stock be maintained for this part.

N/A Not Applicable

- 1 For Date Code W0310: Some -036, -048, and -060 units were built with "AU" Coils instead of "CU" Coils.
- 2 Both Genteq ECM 3.0 and U.S. Motors PerfectSpeed motors were installed in production. The motor shown will replace either manufacturer. However, if only the module is being replaced, the manufacturer of the original motor must be determined before selecting a replacement module.

**DISCLAIMER:** This document is intended to provide general replacement parts information to aid qualified service personnel in the repair of these models. The complete Model and Serial Number of the unit under repair should be specified when selecting and ordering replacement parts. Specifications and illustrations are subject to change without notice. Document 92-42800-RHPN supersedes all previous parts lists for these models. See <http://www.rheempartslists.net/92-42800-RHPN> for the latest revision of this document. The manufacturer assumes no obligation for errors or omissions. Service personnel must verify the proper and safe operation of equipment after the replacement of any original components.