



RHLL

Parts List
21-April-2014



*This parts list is current as of the above revision date.
See <http://www.rheempartslists.net/92-42800-RHLL.pdf> for the current revision.*

Air Handlers

Table of Contents

Model Explanation	Page 3
Parts Numbers	
Panels - Miscellaneous (Granite-Steel Gray)	Page 4
Panels - Miscellaneous (Neutra Green)	Page 5
Electrical Group	Page 6
Blower Group (1)	Page 7
Blower Group (2)	Page 8
Coil Parts	Page 9
Heater Kits 24-38	Page 10
Heater Kits 48-60	Page 11
Drawings/Photographs	
Exploded View	Page 12
Blower Assembly	Page 13
Notes/Disclaimer	Page 14

MODEL NUMBER EXPLANATION

R	H	L	L	-	HM	24	17	J	A
1	2	3	4		5	6	7	8	9

- | | |
|--|---|
| <p>1 MODEL DESIGNATION</p> <p>2 H = AIR HANDLER</p> <p>3 L= HIGH EFFICIENCY (X-13 MOTOR)</p> <p>4 L = R-410A REFRIGERANT</p> <p>5 HM = A/C OR HP, MULTI-POSITION</p> <p>6 CAPACITY
 24/25 = 18,000 / 24,000 BTU/HR
 36 = 30,000 / 36,000 BTU/HR
 36 = 30,000 / 36,000 / 42,000 BTU/HR
 48 = 42,000 / 48,000 BTU/HR
 60 = 60,000 BTU/HR</p> | <p>7 CABINET SIZE
 17 = 17.5 in.
 21 = 21 in.
 24 = 24.5 in.</p> <p>8 VOLTAGE
 A = 115/1/60
 J = 208-240/1/60
 D = 460/3/60</p> <p>9 DESIGN VARIATION
 A = 1st Design
 B = Aluminum Coil
 D = 2417 10 x 8 Blower</p> |
|--|---|

SERIAL NUMBER EXPLANATION

M	0	7	0	1	9	9	9	9	9
1	2	3	4						

- | |
|---|
| <p>1 PRODUCTION LOCATION
 M = Milledgeville, GA
 W = Nuevo Laredo (West)</p> <p>2 WEEK OF PRODUCTION</p> <p>3 YEAR OF PRODUCTION</p> <p>4 PRODUCTION NUMBER</p> |
|---|

No.	Notes	MODEL	RHLL	RHLL	RHLL	RHLL	RHLL	
		CAPACITY	24	24	25	36	38	
		CABINET SIZE	17	17	17	17	21	
		VOLTAGE	A/J	A/J	A/J	A/J	A/J	
		DESIGN VARIATION	A	D	A	A	A	
SHEET METAL PARTS, MISCELLANEOUS (Granite/Steel Gray, After Date Code 0112)								
1		Cabinet	AE-100682-31	AE-100682-31	AE-100682-31	AE-100682-31	AE-100682-33	
2		Coil Door	AE-100685-32	AE-100685-32	AE-100685-32	AE-100685-32	AE-100685-34	
3		Top Cover Plate	AE-100686-31	AE-100686-31	AE-100686-31	AE-100686-31	AE-100686-32	
4		Blower Door	AE-100684-31	AE-100684-31	AE-100684-31	AE-100684-31	AE-100684-32	
5		Access Panel	AE-101133-31	AE-101133-31	AE-101133-31	AE-101133-31	AE-101133-31	
6		Drain Pan - Vertical	See RC SL Coil Parts List					
7		Drain Pan - Horizontal	See RC SL Coil Parts List					
8		Plate - Block Off	AE-100455-01	AE-100455-01	AE-100455-01	AE-100455-01	AE-100455-01	
9		Cabinet Brace	AE-101134-02	AE-101134-02	AE-101134-02	AE-101134-02	AE-101134-03	
10		Middle Brace	AE-101054-01	AE-101054-01	AE-101054-01	AE-101054-01	AE-101054-02	
13a		Heat Barrier	AE-100683-02	AE-100683-03	AE-100683-03	AE-100683-03	AE-100683-06	
13b		Heat Barrier Side (2)	AE-104241-01	AE-104241-01	AE-104241-01	AE-104241-01	AE-104241-01	
		Insulation Retainer Rod (2)	45-102868-02	45-102868-02	45-102868-02	45-102868-02	45-102868-03	

No.	Notes	MODEL	RHLL	RHLL	RHLL	RHLL		
		CAPACITY	48	48	60	60		
		CABINET SIZE	21	24	24	24		
		VOLTAGE	A/J	A/J	A/J	D		
		DESIGN VARIATION	A	A	A	A		
SHEET METAL PARTS, MISCELLANEOUS (Granite/Steel Gray, After Date Code 0112)								
1		Cabinet	AE-100682-33	AE-100682-35	AE-100682-35	AE-100682-35		
2		Coil Door	AE-100685-34	AE-100685-36	AE-100685-36	AE-100685-36		
3		Top Cover Plate	AE-100686-32	AE-100686-33	AE-100686-33	AE-100686-33		
4		Blower Door	AE-100684-32	AE-100684-33	AE-100684-33	AE-100684-33		
5		Access Panel	AE-101133-31	AE-101133-31	AE-101133-31	AE-101133-31		
6		Drain Pan - Vertical	See RC SL Coil Parts List					
7		Drain Pan - Horizontal	See RC SL Coil Parts List					
8		Plate - Block Off	AE-100455-01	AE-100455-01	AE-100455-01	AE-100455-01		
9		Cabinet Brace	AE-101134-03	AE-101134-04	AE-101134-04	AE-101134-04		
10		Middle Brace	AE-101054-02	AE-101054-03	AE-101054-03	AE-101054-03		
13a		Heat Barrier	AE-100683-06	AE-100683-08	AE-100683-08	AE-100683-08		
13b		Heat Barrier Side (2)	AE-104241-01	AE-104241-01	AE-104241-01	AE-104241-01		
		Insulation Retainer Rod (2)	45-102868-03	45-102868-04	45-102868-04	45-102868-04		

No.	Notes	MODEL	RHLL	RHLL	RHLL	RHLL	RHLL	RHLL	RHLL	
		CAPACITY	24	36	38	48	48	60	60	
		CABINET SIZE	17	17	21	21	24	24	24	
		VOLTAGE	A/J	A/J	A/J	A/J	A/J	A/J	D	
SHEET METAL PARTS, MISCELLANEOUS (Neutra Green, Before Date Code 0112)										
1		Cabinet	AE-100682-01	AE-100682-01	AE-100682-03	AE-100682-03	AE-100682-05	AE-100682-05	AE-100682-05	
2		Coil Door	AE-100685-02	AE-100685-02	AE-100685-04	AE-100685-04	AE-100685-06	AE-100685-06	AE-100685-06	
3		Top Cover Plate	AE-100686-01	AE-100686-01	AE-100686-02	AE-100686-02	AE-100686-03	AE-100686-03	AE-100686-03	
4		Blower Door	AE-100684-01	AE-100684-01	AE-100684-02	AE-100684-02	AE-100684-03	AE-100684-03	AE-100684-03	
5		Access Panel	AE-101133-01	AE-101133-01	AE-101133-01	AE-101133-01	AE-101133-01	AE-101133-01	AE-101133-01	
6		Drain Pan - Vertical	See RC SL Coil Parts List							
7		Drain Pan - Horizontal	See RC SL Coil Parts List							
8		Plate - Block Off	AE-100455-01	AE-100455-01	AE-100455-01	AE-100455-01	AE-100455-01	AE-100455-01	AE-100455-01	
9		Cabinet Brace	AE-101134-02	AE-101134-02	AE-101134-03	AE-101134-03	AE-101134-04	AE-101134-04	AE-101134-04	
10		Middle Brace	AE-101054-01	AE-101054-01	AE-101054-02	AE-101054-02	AE-101054-03	AE-101054-03	AE-101054-03	
13a		Heat Barrier	AE-100683-02	AE-100683-03	AE-100683-06	AE-100683-06	AE-100683-07	AE-100683-08	AE-100683-08	
13b		Heat Barrier Side (2)	AE-104241-01	AE-104241-01	AE-104241-01	AE-104241-01	AE-104241-01	AE-104241-01	AE-104241-01	
		Insulation Retainer Rod (2)	45-102868-02	45-102868-02	45-102868-03	45-102868-03	45-102868-04	45-102868-04	45-102868-04	

No.	Notes	MODEL	RHLL	RHLL	RHLL	RHLL	RHLL	RHLL
		CAPACITY	24	24	24	24	25	25
		CABINET SIZE	17	17	17	17	17	17
		VOLTAGE	A	J	A	J	A	J
		DESIGN VARIATION	A	A	D	D	A	A
ELECTRICAL GROUP								
17	Stk	Transformer	46-101944-02	46-101905-01	46-101944-01	46-101905-01	46-101944-01	46-101905-01
		Power Factor Choke	N/A	N/A	N/A	N/A	N/A	N/A
18	Stk	Control Board	47-102077-02	47-102077-02	47-102077-02	47-102077-02	47-102077-02	47-102077-02
	Stk	Fuse - Control Board	44-101986-01	44-101986-01	44-101986-01	44-101986-01	44-101986-01	44-101986-01
		Wiring Harness - 6 pin to 6 strip leads (For T-Stat)	45-101891-01	45-101891-01	45-101891-01	45-101891-01	45-101891-01	45-101891-01
11		Terminal Block	45-23222-02	45-23222-02	45-23222-02	45-23222-02	45-23222-02	45-23222-02

No.	Notes	MODEL	RHLL	RHLL	RHLL	RHLL	RHLL	RHLL
		CAPACITY	36	36	38	38	48	48
		CABINET SIZE	17	17	21	21	21	21
		VOLTAGE	A	J	A	J	A	J
		DESIGN VARIATION	A	A	A	A	A	A
ELECTRICAL GROUP								
17	Stk	Transformer	46-101944-02	46-101905-02	46-101944-02	46-101905-02	46-101944-02	46-101905-02
		Power Factor Choke	N/A	N/A	46-24256-04	N/A	46-24256-04	N/A
18	Stk	Control Board	47-102077-02	47-102077-02	47-102077-02	47-102077-02	47-102077-02	47-102077-02
	Stk	Fuse - Control Board	44-101986-01	44-101986-01	44-101986-01	44-101986-01	44-101986-01	44-101986-01
		Wiring Harness - 6 pin to 6 strip leads (For T-Stat)	45-101891-01	45-101891-01	45-101891-01	45-101891-01	45-101891-01	45-101891-01
11		Terminal Block	45-23222-02	45-23222-02	45-23222-02	45-23222-02	45-23222-02	45-23222-02

No.	Notes	MODEL	RHLL	RHLL	RHLL	RHLL		
		CAPACITY	48	48	60	60		
		CABINET SIZE	24	24	24	24		
		VOLTAGE	A	J	A	J		
		DESIGN VARIATION	A	A	A	A		
ELECTRICAL GROUP								
17	Stk	Transformer	46-101944-02	46-101905-02	46-101944-02	46-101905-02		
		Power Factor Choke	46-24256-04	N/A	46-24256-04	N/A		
18	Stk	Control Board	47-102077-02	47-102077-02	47-102077-02	47-102077-02		
	Stk	Fuse - Control Board	44-101986-01	44-101986-01	44-101986-01	44-101986-01		
		Wiring Harness - 6 pin to 6 strip leads (For T-Stat)	45-101891-01	45-101891-01	45-101891-01	45-101891-01		
11		Terminal Block	45-23222-02	45-23222-02	45-23222-02	45-23222-02		

No.	Notes	MODEL	RHLL					
		CAPACITY	60					
		CABINET SIZE	24					
		VOLTAGE	D					
		DESIGN VARIATION	A					
ELECTRICAL GROUP								
17	Stk	Transformer	46-101946-01					
		Power Factor Choke	N/A					
18	Stk	Control Board	47-102077-02					
	Stk	Fuse - Control Board	44-101986-01					
		Wiring Harness - 6 pin to 6 strip leads (For T-Stat)	45-101891-01					
11		Terminal Block	45-23222-02					

No.	Notes	MODEL	RHLL	RHLL	RHLL	RHLL	RHLL	RHLL
		CAPACITY	24	24	24	24	25	25
		CABINET SIZE	17	17	17	17	17	17
		VOLTAGE	A	J	A	J	A	J
		DESIGN VARIATION	A	A	D	D	A	A
BLOWER GROUP								
15	Stk	Blower Assembly (Includes items 16-22)	AS-101930-01	AS-101886-01	AS-101930-06	AS-101886-13	AS-101930-06	AS-101886-13
16		Mounting Bracket - Control Board	AE-101049-01	AE-101049-01	AE-101049-01	AE-101049-01	AE-101049-01	AE-101049-01
17		Transformer	See Electrical Group					
18		Control Board	See Electrical Group					
19		Blower Housing w/Wheel	70-101729-01	70-101729-01	70-101729-02	70-101729-02	70-101729-02	70-101729-02
	Stk	Blower Wheel	703012	703012	703014	703014	703014	703014
20		Motor Mount - Band	70-19927-04	70-19927-04	70-19927-04	70-19927-04	70-19927-04	70-19927-04
21		Motor Mount - Arm (4)	70-19929-10	70-19929-10	70-19929-10	70-19929-10	70-19929-10	70-19929-10
22	Stk,2	Blower Motor - See Note 2	51-102171-01	51-101879-01	51-102171-03	51-104358-09	51-102171-03	51-104358-09
23		Mounting Bracket Cover	AE-101797-01	AE-101797-01	AE-101797-01	AE-101797-01	AE-101797-01	AE-101797-01

No.	Notes	MODEL	RHLL	RHLL	RHLL	RHLL		
		CAPACITY	36	36	38	38		
		CABINET SIZE	17	17	21	21		
		VOLTAGE	A	J	A	J		
		DESIGN VARIATION	A	A	A	A		
BLOWER GROUP								
15	Stk	Blower Assembly (Includes items 16-22)	AS-101930-02	AS-101886-02	AS-101930-05	AS-101886-06		
16		Mounting Bracket - Control Board	AE-101049-01	AE-101049-01	AE-101049-01	AE-101049-01		
17		Transformer	See Electrical Group					
18		Control Board	See Electrical Group					
19		Blower Housing w/Wheel	70-101729-02	70-101729-02	70-101729-03	70-101729-03		
	Stk	Blower Wheel	703014	703014	703013	703013		
20		Motor Mount - Band	70-19927-04	70-19927-04	70-19927-04	70-19927-04		
21		Motor Mount - Arm (4)	70-19929-10	70-19929-10	70-19929-10	70-19929-10		
22	Stk,2	Blower Motor - See Note 2	51-102172-01	51-101880-01	N/A	N/A		
22	Stk,1	Blower Motor - 3/4 hp (Before Approximate Date Code 5012), See Note 1	N/A	N/A	51-102173-05	51-101920-20		
22	Stk,1, 2	Blower Motor - 1/2 hp (On or After Approximate Date Code 5012), See Notes 1 and 2	N/A	N/A	51-102172-05	51-101880-30		
23		Mounting Bracket Cover	AE-101797-01	AE-101797-01	AE-101797-01	AE-101797-01		

No.	Notes	MODEL	RHLL	RHLL	RHLL	RHLL	RHLL	RHLL
		CAPACITY	48	48	48	48	60	60
		CABINET SIZE	21	21	24	24	24	24
		VOLTAGE	A	J	A	J	A	J
		DESIGN VARIATION	A	A	A	A	A	A
BLOWER GROUP								
15	Stk	Blower Assembly (Includes items 16-22)	AS-101930-03	AS-101886-03	AS-101930-04	AS-101886-04	AS-101930-04	AS-101886-04
16		Mounting Bracket - Control Board	AE-101049-01	AE-101049-01	AE-101049-01	AE-101049-01	AE-101049-01	AE-101049-01
17		Transformer	See Electrical Group					
18		Control Board	See Electrical Group					
19		Blower Housing w/Wheel	70-101729-03	70-101729-03	70-101729-04	70-101729-04	70-101729-04	70-101729-04
	Stk	Blower Wheel	703013	703013	703015	703015	703015	703015
20		Motor Mount - Band	70-19927-04	70-19927-04	70-19927-04	70-19927-04	70-19927-04	70-19927-04
21		Motor Mount - Arm (4)	70-19929-10	70-19929-10	70-19929-10	70-19929-10	70-19929-10	70-19929-10
22	Stk,2	Blower Motor - See Note 2	51-102173-01	51-101920-01	51-102173-02	51-101920-02	51-102173-02	51-101920-02
23		Mounting Bracket Cover	AE-101797-01	AE-101797-01	AE-101797-01	AE-101797-01	AE-101797-01	AE-101797-01

No.	Notes	MODEL	RHLL						
		CAPACITY	60						
		CABINET SIZE	24						
		VOLTAGE	D						
		DESIGN VARIATION	A						
BLOWER GROUP									
15	Stk	Blower Assembly (Includes items 16-22)	AS-101886-05						
16		Mounting Bracket - Control Board	AE-101049-01						
17		Transformer	See Electrical Group						
18		Control Board	See Electrical Group						
19		Blower Housing w/Wheel	70-101729-04						
	Stk	Blower Wheel	703015						
20		Motor Mount - Band	70-19927-04						
21		Motor Mount - Arm (4)	70-19929-10						
22	Stk,2	Blower Motor - See Note 2	51-103253-01						
23		Mounting Bracket Cover	AE-101797-01						

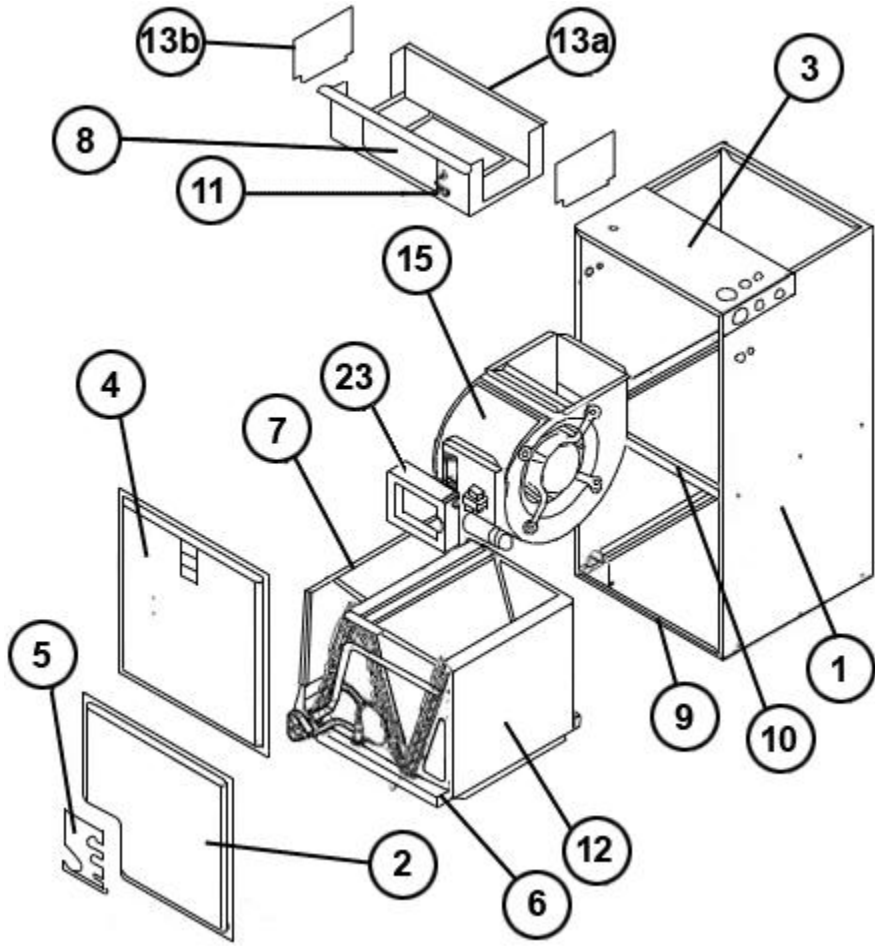
No.	Notes	MODEL CAPACITY CABINET SIZE VOLTAGE	RHLL	RHLL	RHLL	RHLL
			24 17 A/J	25 17 A/J	36 17 A/J	38 21 A/J
COIL GROUP						
12		Replacement Coil w/TXV - Before Date Code Shown	RCSL-HM2417AU (4009)	RCSL-HU2417CU (NA)	RCSL-HM3617AU (0809)	RCSL-HU3821CU (N/A)
12		Replacement Coil w/TXV - On or After Date Code Shown	RCSL-HU2417CU (4009)	RCSL-HU2417CU (NA)	RCSL-HU3617CU (0809)	RCSL-HU3821CU (N/A)
		Horizontal Adapter Kit	RXHH-A02	RXHH-A02	RXHH-A03	RXHH-A03
		Drain Pan	See specified RCSL Coil Parts List			
		TXV	See specified RCSL Coil Parts List			

No.	Notes	MODEL CAPACITY CABINET SIZE VOLTAGE	RHLL	RHLL	RHLL	
			48 21 A/J	48 24 A/J	60 24 A/J/D	
COIL GROUP						
12		Replacement Coil w/TXV - Before Date Code Shown	RCSL-HM4821AU (2309)	RCSL-HM4824AU (2309)	RCSL-HM6024AU (4109)	
12		Replacement Coil w/TXV - On or After Date Code Shown	RCSL-HU4821CU (2309)	RCSL-HU4824CU (2309)	RCSL-HU6024CU (4109)	
		Horizontal Adapter Kit	RXHH-A04	RXHH-A04	RXHH-A05	
		Drain Pan	See specified RCSL Coil Parts List			
		TXV	See specified RCSL Coil Parts List			

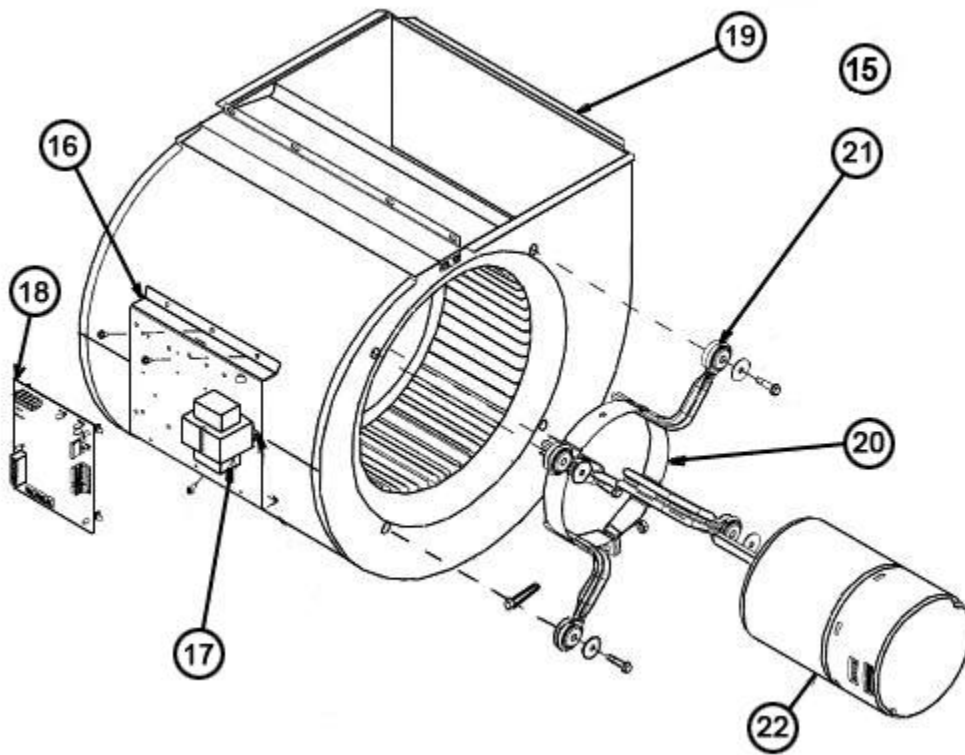
No.	Notes	MODEL CAPACITY CABINET SIZE VOLTAGE	RHLL 24/25 17 A/J	RHLL 36 17 A/J	RHLL 38 21 A/J
HEATER KITS					
		Heater Kit - 3kW/208-240/1	RXBH-17A03J RXBH-1724A03J RXBH-1724B03J RXBH-1724C03J	RXBH-17A03J RXBH-1724A03J RXBH-1724B03J RXBH-1724C03J	N/A
		Heater Kit - 5kW/208-240/1	RXBH-17A05J RXBH-1724A05J RXBH-1724B05J RXBH-1724C05J	RXBH-17A05J RXBH-1724A05J RXBH-1724B05J RXBH-1724C05J	RXBH-24A05J RXBH-1724A05J RXBH-1724B05J RXBH-1724C05J
		Heater Kit - 7kW/208-240/1	RXBH-17A07J RXBH-1724A07J RXBH-1724B07J RXBH-1724C07J	RXBH-17A07J RXBH-1724A07J RXBH-1724B07J RXBH-1724C07J	RXBH-24A07J RXBH-1724A07J RXBH-1724B07J RXBH-1724C07J
		Heater Kit - 10kW/208-240/1	RXBH-17A10J RXBH-1724A10J RXBH-1724B10J RXBH-1724C10J	RXBH-17A10J RXBH-1724A10J RXBH-1724B10J RXBH-1724C10J	RXBH-24A10J RXBH-1724A10J RXBH-1724B10J RXBH-1724C10J
		Heater Kit - 13kW/208-240/1	RXBH-17A13J RXBH-1724A13J	RXBH-17A13J RXBH-1724A13J	N/A
		Heater Kit - 15kW/208-240/1	N/A	RXBH-17A15J RXBH-1724A15J	RXBH-24A15J RXBH-1724A15J
		Heater Kit - 18kW/208-240/1	N/A	RXBH-17A18J RXBH-1724A18J	RXBH-24A18J RXBH-1724A18J
		Heater Kit - 20kW/208-240/1	N/A	N/A	RXBH-24A20J
		Heater Kit - 25kW/208-240/1	N/A	N/A	RXBH-24A25J
		Heater Kit - 7kW/208-240/3	RXBH-17A07C RXBH-1724A07C	RXBH-17A07C RXBH-1724A07C	RXBH-24A07C RXBH-1724A07C
		Heater Kit - 10kW/208-240/3	RXBH-17A10C RXBH-1724A10C	RXBH-17A10C RXBH-1724A10C	RXBH-24A10C RXBH-1724A10C
		Heater Kit - 13kW/208-240/3	RXBH-17A13C RXBH-1724A13C	RXBH-17A13C RXBH-1724A13C	N/A
		Heater Kit - 15kW/208-240/3	N/A	RXBH-17A15C RXBH-1724A15C	RXBH-24A15C RXBH-1724A15C
		Heater Kit - 18kW/208-240/3	N/A	RXBH-17A18C RXBH-1724A18C	RXBH-24A18C RXBH-1724A18C
		Heater Kit - 20kW/208-240/3	N/A	N/A	RXBH-24A20C
		Heater Kit - 25kW/208-240/3	N/A	N/A	RXBH-24A25C

No.	Notes	MODEL CAPACITY CABINET SIZE VOLTAGE	RHLL	RHLL	RHLL
			48 21 A/J	48 24 A/J	60 24 A/J
HEATER KITS					
		Heater Kit - 5kW/208-240/1	RXBH-24A05J RXBH-1724A05J RXBH-1724B05J RXBH-1724C05J	RXBH-24A05J RXBH-1724A05J RXBH-1724B05J RXBH-1724C05J	RXBH-24A05J RXBH-1724A05J RXBH-1724B05J RXBH-1724C05J
		Heater Kit - 7kW/208-240/1	RXBH-24A07J RXBH-1724A07J RXBH-1724B07J RXBH-1724C07J	RXBH-24A07J RXBH-1724A07J RXBH-1724B07J RXBH-1724C07J	RXBH-24A07J RXBH-1724A07J RXBH-1724B07J RXBH-1724C07J
		Heater Kit - 10kW/208-240/1	RXBH-24A10J RXBH-1724A10J RXBH-1724B10J RXBH-1724C10J	RXBH-24A10J RXBH-1724A10J RXBH-1724B10J RXBH-1724C10J	RXBH-24A10J RXBH-1724A10J RXBH-1724B10J RXBH-1724C10J
		Heater Kit - 15kW/208-240/1	RXBH-24A15J RXBH-1724A15J	RXBH-24A15J RXBH-1724A15J	RXBH-24A15J RXBH-1724A15J
		Heater Kit - 18kW/208-240/1	RXBH-24A18J RXBH-1724A18J	RXBH-24A18J RXBH-1724A18J	RXBH-24A18J RXBH-1724A18J
		Heater Kit - 20kW/208-240/1	RXBH-24A20J	RXBH-24A20J	RXBH-24A20J
		Heater Kit - 25kW/208-240/1	RXBH-24A25J	RXBH-24A25J	RXBH-24A25J
		Heater Kit - 30kW/208-240/1	N/A	RXBH-24A30J	RXBH-24A30J
		Heater Kit - 7kW/208-240/3	RXBH-24A07C RXBH-1724A07C	RXBH-24A07C RXBH-1724A07C	RXBH-24A07C RXBH-1724A07C
		Heater Kit - 10kW/208-240/3	RXBH-24A10C RXBH-1724A10C	RXBH-24A10C RXBH-1724A10C	RXBH-24A10C RXBH-1724A10C
		Heater Kit - 13kW/208-240/3	N/A	N/A	N/A
		Heater Kit - 15kW/208-240/3	RXBH-24A15C RXBH-1724A15C	RXBH-24A15C RXBH-1724A15C	RXBH-24A15C RXBH-1724A15C
		Heater Kit - 18kW/208-240/3	RXBH-24A18C RXBH-1724A18C	RXBH-24A18C RXBH-1724A18C	RXBH-24A18C RXBH-1724A18C
		Heater Kit - 20kW/208-240/3	RXBH-24A20C	RXBH-24A20C	RXBH-24A20C
		Heater Kit - 25kW/208-240/3	RXBH-24A25C	RXBH-24A25C	RXBH-24A25C
		Heater Kit - 30kW/208-240/3	N/A	RXBH-24A30C	RXBH-24A30C

No.	Notes	MODEL CAPACITY CABINET SIZE VOLTAGE	RHLL		
			60 24 D		
HEATER KITS					
		Heater Kit - 7kW/460/3	RXBH-24A07D		
		Heater Kit - 10kW/460/3	RXBH-24A10D		
		Heater Kit - 15kW/460/3	RXBH-24A15D		
		Heater Kit - 18kW/460/3	RXBH-24A18D		
		Heater Kit - 20kW/460/3	RXBH-24A20D		
		Heater Kit - 25kW/460/3	RXBH-24A25D		
		Heater Kit - 30kW/460/3	RXBH-24A30D		



Exploded View



Blower Assembly

NOTES

Stk It is recommended that stock be maintained for this part.

N/A Not Applicable

- 1 Units after approximate Date Code 5012 were produced with the 1/2 hp motor instead of the 3/4 hp used previously. The 1/2 hp motor can be used in older units regardless of date code.
- 2 For units produced on or after Date Code 2313, be aware that these units are manufactured with either X-13 or SelectTech motors. Only X-13 motors and modules are sold for service at this time. If a SelectTech motor or module needs to be replaced, the entire motor should be replaced with the specified Genteq X-13 motor.

DISCLAIMER: This document is intended to provide general replacement parts information to aid qualified service personnel in the repair of these models. The complete Model and Serial Number of the unit under repair should be specified when selecting and ordering replacement parts. Specifications and illustrations are subject to change without notice. Document 92-42800-RHLL supersedes all previous parts lists for these models. See <http://www.rheempartslists.net/92-42800-RHLL> for the latest revision of this document. The manufacturer assumes no obligation for errors or omissions. Service personnel must verify the proper and safe operation of equipment after the replacement of any original components.