



RHKL

Parts List
07-May-2014



*This parts list is current as of the above revision date.
See <http://www.rheempartslists.net/92-42800-RHKL.pdf> for the current revision.*

Air Handlers

Table of Contents

Model Explanation	Page 3
Parts Numbers	
Panels - Miscellaneous (Granite-Steel Gray)	Page 4
Panels - Miscellaneous (Neutra Green)	Page 5
Electrical Group	Page 6
Blower Group	Page 7
Coil Parts	Page 8
Heater Kits	Page 8
Drawings/Photographs	
Exploded View	Page 9
Blower Assembly	Page 10
Notes/Disclaimer	Page 11

MODEL NUMBER EXPLANATION

R	H	K	L	-	HM	24	17	J	A
1	2	3	4		5	6	7	8	9

- | | | | |
|---|---|---|--|
| 1 | MODEL DESIGNATION | 7 | CABINET SIZE
17 = 17.5 in.
21 = 21 in.
24 = 24.5 in. |
| 2 | H = AIR HANDLER | | |
| 3 | K = PREMIUM (ECM MOTOR) | | |
| 4 | L = R-410A REFRIGERANT | 8 | VOLTAGE
J= 208-240/1/60 |
| 5 | HM = A/C OR HP, MULTI-POSITION | 9 | DESIGN VARIATION |
| 6 | CAPACITY
24/25 = 18,000 / 24,000 BTU/HR
36 = 30,000 / 36,000 BTU/HR
38 = 30,000 / 36,000 / 42,000 BTU/HR
48 = 42,000 / 48,000 BTU/HR
60 = 60,000 BTU/HR | | |

SERIAL NUMBER EXPLANATION

M	0	7	0	1	9	9	9	9	9
1	2	3			4				

- | | |
|---|--|
| 1 | PRODUCTION LOCATION
M = Milledgeville, GA
W = Nuevo Laredo (West) |
| 2 | WEEK OF PRODUCTION |
| 3 | YEAR OF PRODUCTION |
| 4 | PRODUCTION NUMBER |

No. Notes	MODEL	RHKL	RHKL	RHKL	RHKL	RHKL
	CAPACITY	24	24	25	36	38
	CABINET SIZE	17	17	17	17	21
	VOLTAGE	J	J	J	J	J
	DESIGN VARIATION	A	D	A	A	A
SHEET METAL PARTS, MISCELLANEOUS (Granite/Steel Gray, After Date Code 0112)						
1	Cabinet	AE-100682-31	AE-100682-31	AE-100682-31	AE-100682-31	AE-100682-33
2	Coil Door	AE-100685-32	AE-100685-32	AE-100685-32	AE-100685-32	AE-100685-34
3	Top Cover Plate	AE-100686-31	AE-100686-31	AE-100686-31	AE-100686-31	AE-100686-32
4	Blower Door	AE-100684-31	AE-100684-31	AE-100684-31	AE-100684-31	AE-100684-32
5	Access Panel	AE-101133-31	AE-101133-31	AE-101133-31	AE-101133-31	AE-101133-31
6	Drain Pan - Vertical	See RCSL Coil Parts List				
7	Drain Pan - Horizontal	See RCSL Coil Parts List				
8	Plate - Block Off	AE-100455-01	AE-100455-01	AE-100455-01	AE-100455-01	AE-100455-01
9	Cabinet Brace	AE-101134-02	AE-101134-02	AE-101134-02	AE-101134-02	AE-101134-03
10	Middle Brace	AE-101054-01	AE-101054-01	AE-101054-01	AE-101054-01	AE-101054-02
13a	Heat Barrier	AE-100683-02	AE-100683-03	AE-100683-03	AE-100683-03	AE-100683-06
13b	Heat Barrier Side (2)	AE-104241-01	AE-104241-01	AE-104241-01	AE-104241-01	AE-104241-01
	Insulation Retainer Rod	45-102868-02	45-102868-02	45-102868-02	45-102868-02	45-102868-03

No. Notes	MODEL	RHKL	RHKL	RHKL		
	CAPACITY	48	48	60		
	CABINET SIZE	21	24	24		
	VOLTAGE	J	J	J		
	DESIGN VARIATION	A	A	A		
SHEET METAL PARTS, MISCELLANEOUS (Granite/Steel Gray, After Date Code 0112)						
1	Cabinet	AE-100682-33	AE-100682-35	AE-100682-35		
2	Coil Door	AE-100685-34	AE-100685-36	AE-100685-36		
3	Top Cover Plate	AE-100686-32	AE-100686-33	AE-100686-33		
4	Blower Door	AE-100684-32	AE-100684-33	AE-100684-33		
5	Access Panel	AE-101133-31	AE-101133-31	AE-101133-31		
6	Drain Pan - Vertical	See RCSL Coil Parts List				
7	Drain Pan - Horizontal	See RCSL Coil Parts List				
8	Plate - Block Off	AE-100455-01	AE-100455-01	AE-100455-01		
9	Cabinet Brace	AE-101134-03	AE-101134-04	AE-101134-04		
10	Middle Brace	AE-101054-02	AE-101054-03	AE-101054-03		
13a	Heat Barrier	AE-100683-06	AE-100683-08	AE-100683-08		
13b	Heat Barrier Side (2)	AE-104241-01	AE-104241-01	AE-104241-01		
	Insulation Retainer Rod	45-102868-03	45-102868-04	45-102868-04		

No.	Notes	MODEL CAPACITY CABINET SIZE VOLTAGE	RHKL	RHKL	RHKL	RHKL	RHKL	RHKL
			24 17 J	36 17 J	38 21 J	48 21 J	48 24 J	60 24 J
SHEET METAL PARTS, MISCELLANEOUS (Neutra Green, Before Date Code 0112)								
1		Cabinet	AE-100682-01	AE-100682-01	AE-100682-03	AE-100682-03	AE-100682-05	AE-100682-05
2		Coil Door	AE-100685-02	AE-100685-02	AE-100685-04	AE-100685-04	AE-100685-06	AE-100685-06
3		Top Cover Plate	AE-100686-01	AE-100686-01	AE-100686-02	AE-100686-02	AE-100686-03	AE-100686-03
4		Blower Door	AE-100684-01	AE-100684-01	AE-100684-02	AE-100684-02	AE-100684-03	AE-100684-03
5		Access Panel	AE-101133-01	AE-101133-01	AE-101133-01	AE-101133-01	AE-101133-01	AE-101133-01
6		Drain Pan - Vertical	See RC SL Coil Parts List					
7		Drain Pan - Horizontal	See RC SL Coil Parts List					
8		Plate - Block Off	AE-100455-01	AE-100455-01	AE-100455-01	AE-100455-01	AE-100455-01	AE-100455-01
9		Cabinet Brace	AE-101134-02	AE-101134-02	AE-101134-03	AE-101134-03	AE-101134-04	AE-101134-04
10		Middle Brace	AE-101054-01	AE-101054-01	AE-101054-02	AE-101054-02	AE-101054-03	AE-101054-03
13a		Heat Barrier	AE-100683-02	AE-100683-03	AE-100683-06	AE-100683-06	AE-100683-08	AE-100683-08
13b		Heat Barrier Side (2)	AE-104241-01	AE-104241-01	AE-104241-01	AE-104241-01	AE-104241-01	AE-104241-01
		Insulation Retainer Rod	45-102868-02	45-102868-02	45-102868-03	45-102868-03	45-102868-04	45-102868-04

No.	Notes	MODEL	RHKL	RHKL	RHKL	RHKL	RHKL
		CAPACITY	24	24	25	36	38
		CABINET SIZE	17	17	17	17	21
		VOLTAGE	J	J	J	J	J
		DESIGN VARIATION	A	D	A	A	A
ELECTRICAL GROUP							
17	Stk	Transformer	46-101905-01	46-101905-01	46-101905-01	46-101905-01	46-101905-01
18	Stk	Control Board	47-102077-03	47-102077-03	47-102077-03	47-102077-03	47-102077-03
	Stk	Fuse - Control Board	44-101986-01	44-101986-01	44-101986-01	44-101986-01	44-101986-01
		Wiring Harness - 9 Pin Molex to 9 stripped wires (For T-Stat)	45-101891-02	45-101891-02	45-101891-02	45-101891-02	45-101891-02
		Wiring Harness - 16 Pin Molex to 16 Pin Molex	45-24258-14	45-24258-14	45-24258-14	45-24258-14	45-24258-14
		Wiring Harness - 5 Pin Molex to 2 Spade Terminal, One Ring, 1 Stripped Wire	45-24258-16	45-24258-16	45-24258-16	45-24258-16	45-24258-16
11		Terminal Block	45-23222-02	45-23222-02	45-23222-02	45-23222-02	45-23222-02

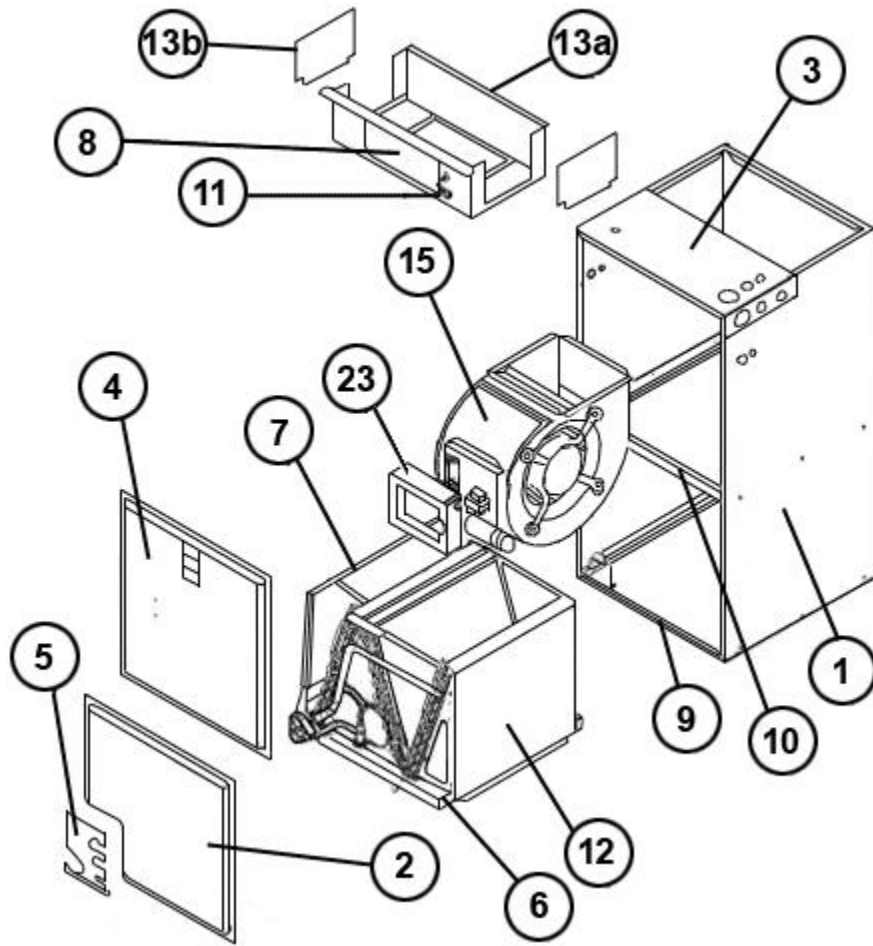
No.	Notes	MODEL	RHKL	RHKL	RHKL		
		CAPACITY	48	48	60		
		CABINET SIZE	21	24	24		
		VOLTAGE	J	J	J		
		DESIGN VARIATION	A	A	A		
ELECTRICAL GROUP							
17	Stk	Transformer	46-101905-01	46-101905-01	46-101905-01		
18	Stk	Control Board	47-102077-03	47-102077-03	47-102077-03		
	Stk	Fuse - Control Board	44-101986-01	44-101986-01	44-101986-01		
		Wiring Harness - 9 Pin Molex to 9 stripped wires (For T-Stat)	45-101891-02	45-101891-02	45-101891-02		
		Wiring Harness - 16 Pin Molex to 16 Pin Molex	45-24258-14	45-24258-14	45-24258-14		
		Wiring Harness - 5 Pin Molex to 2 Spade Terminal, One Ring, 1 Stripped Wire	45-24258-16	45-24258-16	45-24258-16		
11		Terminal Block	45-23222-02	45-23222-02	45-23222-02		

No.	Notes	MODEL	RHKL	RHKL	RHKL	RHKL	RHKL
		CAPACITY	24	24	25	36	38
		CABINET SIZE	17	17	17	17	21
		VOLTAGE	J	J	J	J	J
		DESIGN VARIATION	A	D	A	A	A
BLOWER GROUP							
15	Stk	Blower Assembly (Includes items 16-22)	AS-101885-01	AS-101885-21	AS-101885-21	AS-101885-02	AS-101885-19
16		Mounting Bracket - Control Board	AE-101049-01	AE-101049-01	AE-101049-01	AE-101049-01	AE-101049-01
17		Transformer	See Electrical Group				
18		Control Board	See Electrical Group				
19		Blower Housing w/Wheel	70-101729-01	70-101729-02	70-101729-02	70-101729-02	70-101729-03
	Stk	Blower Wheel	703012	703014	703014	703014	703013
20		Motor Mount - Band	70-19927-04	70-19927-04	70-19927-04	70-19927-04	70-19927-04
21		Motor Mount - Arm (4)	70-19929-10	70-19929-10	70-19929-10	70-19929-10	70-19929-10
22	Stk	Blower Motor (ECM)	51-24373-06	51-104303-10	51-104303-10	51-24374-19	51-24375-22
23		Mounting Bracket Cover	AE-101797-01	AE-101797-01	AE-101797-01	AE-101797-01	AE-101797-01

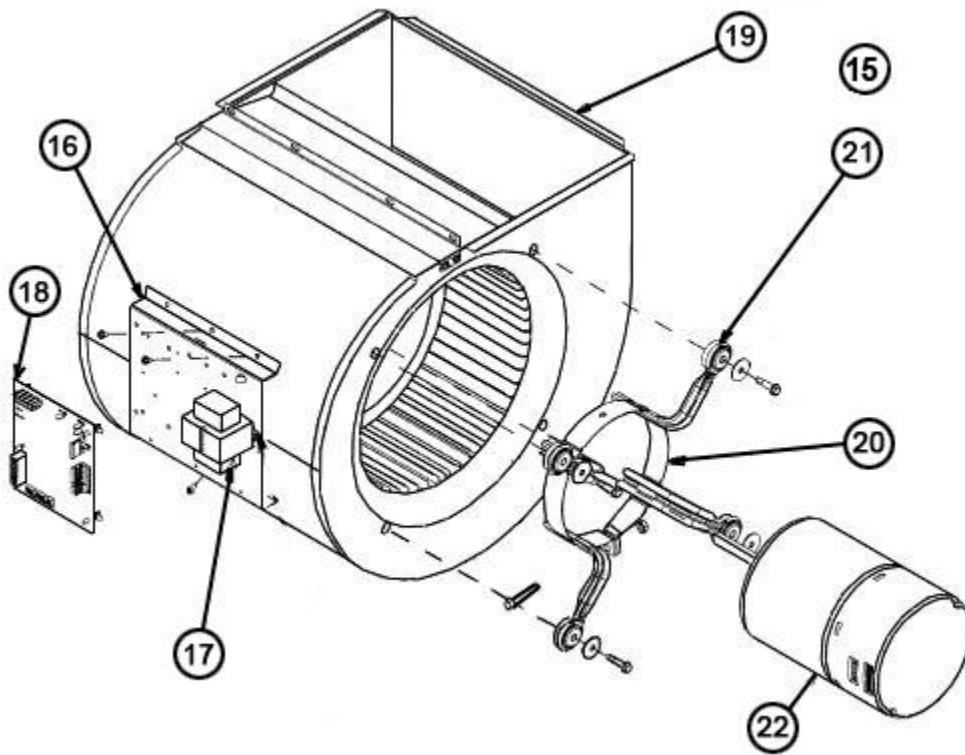
No.	Notes	MODEL	RHKL	RHKL	RHKL		
		CAPACITY	48	48	60		
		CABINET SIZE	21	24	24		
		VOLTAGE	J	J	J		
		DESIGN VARIATION	A	A	A		
BLOWER GROUP							
15	Stk	Blower Assembly (Includes items 16-22)	AS-101885-03	AS-101885-04	AS-101885-04		
16		Mounting Bracket - Control Board	AE-101049-01	AE-101049-01	AE-101049-01		
17		Transformer	See Electrical Group				
18		Control Board	See Electrical Group				
19		Blower Housing w/Wheel	70-101729-03	70-101729-04	70-101729-04		
	Stk	Blower Wheel	703013	703015	703015		
20		Motor Mount - Band	70-19927-04	70-19927-04	70-19927-04		
21		Motor Mount - Arm (4)	70-19929-10	70-19929-10	70-19929-10		
22	Stk	Blower Motor (ECM)	51-24375-13	51-24375-14	51-24375-14		
23		Mounting Bracket Cover	AE-101797-01	AE-101797-01	AE-101797-01		

No.	Notes	MODEL CAPACITY CABINET SIZE VOLTAGE	RHKL 24/25 17 J	RHKL 36 17 J	RHKL 38 21 J	RHKL 48 21 J	RHKL 48 24 J	RHKL 60 24 J
COIL GROUP								
12		Replacement Coil w/TXV - Before Date Code Shown	RCSL-HM2417AU (4009)	RCSL-HM3617AU (0809)	RCSL-HU3821CU (N/A)	RCSL-HM4821AU (2309)	RCSL-HM4824AU (2309)	RCSL-HM6024AU (4109)
12		Replacement Coil w/TXV - After Date Code Shown	RCSL-HU2417CU (4009)	RCSL-HU3617CU (0809)	RCSL-HU3821CU (N/A)	RCSL-HU4821CU (2309)	RCSL-HU4824CU (2309)	RCSL-HU6024CU (4109)
		Horizontal Adapter Kit	RXHH-A02	RXHH-A03	RXHH-A04	RXHH-A04	RXHH-A04	RXHH-A05
		Drain Pan	See specified RCSL Coil Parts List					
		TXV	See specified RCSL Coil Parts List					

No.	Notes	MODEL CAPACITY CABINET SIZE VOLTAGE	RHKL 24/25 17 J	RHKL 36 17 J	RHKL 38 21 J	RHKL 48 21 J	RHKL 48 24 J	RHKL 60 24 J
HEATER KITS								
		Heater Kit - 3kW/208-240/1	RXBH-17A03J RXBH-1724A03J RXBH-1724B03J RXBH-1724C03J	RXBH-17A03J RXBH-1724A03J RXBH-1724B03J RXBH-1724C03J	N/A	N/A	N/A	N/A
		Heater Kit - 5kW/208-240/1	RXBH-17A05J RXBH-1724A05J RXBH-1724B05J RXBH-1724C05J	RXBH-17A05J RXBH-1724A05J RXBH-1724B05J RXBH-1724C05J	RXBH-24A05J RXBH-1724A05J RXBH-1724B05J RXBH-1724C05J	RXBH-24A05J RXBH-1724A05J RXBH-1724B05J RXBH-1724C05J	RXBH-24A05J RXBH-1724A05J RXBH-1724B05J RXBH-1724C05J	RXBH-24A05J RXBH-1724A05J RXBH-1724B05J RXBH-1724C05J
		Heater Kit - 7kW/208-240/1	RXBH-17A07J RXBH-1724A07J RXBH-1724B07J RXBH-1724C07J	RXBH-17A07J RXBH-1724A07J RXBH-1724B07J RXBH-1724C07J	RXBH-24A07J RXBH-1724A07J RXBH-1724B07J RXBH-1724C07J	RXBH-24A07J RXBH-1724A07J RXBH-1724B07J RXBH-1724C07J	RXBH-24A07J RXBH-1724A07J RXBH-1724B07J RXBH-1724C07J	RXBH-24A07J RXBH-1724A07J RXBH-1724B07J RXBH-1724C07J
		Heater Kit - 10kW/208-240/1	RXBH-17A10J RXBH-1724A10J RXBH-1724B10J RXBH-1724C10J	RXBH-17A10J RXBH-1724A10J RXBH-1724B10J RXBH-1724C10J	RXBH-24A10J RXBH-1724A10J RXBH-1724B10J RXBH-1724C10J	RXBH-24A10J RXBH-1724A10J RXBH-1724B10J RXBH-1724C10J	RXBH-24A10J RXBH-1724A10J RXBH-1724B10J RXBH-1724C10J	RXBH-24A10J RXBH-1724A10J RXBH-1724B10J RXBH-1724C10J
		Heater Kit - 13kW/208-240/1	RXBH-17A13J RXBH-1724A13J	RXBH-17A13J RXBH-1724A13J	N/A	N/A	N/A	N/A
		Heater Kit - 15kW/208-240/1	N/A	RXBH-17A15J RXBH-1724A15J	RXBH-24A15J RXBH-1724A15J	RXBH-24A15J RXBH-1724A15J	RXBH-24A15J RXBH-1724A15J	RXBH-24A15J RXBH-1724A15J
		Heater Kit - 18kW/208-240/1	N/A	RXBH-17A18J RXBH-1724A18J	RXBH-24A18J RXBH-1724A18J	RXBH-24A18J RXBH-1724A18J	RXBH-24A18J RXBH-1724A18J	RXBH-24A18J RXBH-1724A18J
		Heater Kit - 20kW/208-240/1	N/A	N/A	RXBH-24A20J	RXBH-24A20J	RXBH-24A20J	RXBH-24A20J
		Heater Kit - 25kW/208-240/1	N/A	N/A	RXBH-24A25J	RXBH-24A25J	RXBH-24A25J	RXBH-24A25J
		Heater Kit - 30kW/208-240/1	N/A	N/A	N/A	N/A	RXBH-24A30J	RXBH-24A30J
		Heater Kit - 7kW/208-240/3	RXBH-17A07C RXBH-1724A07C	RXBH-17A07C RXBH-1724A07C	RXBH-24A07C RXBH-1724A07C	RXBH-24A07C RXBH-1724A07C	RXBH-24A07C RXBH-1724A07C	RXBH-24A07C RXBH-1724A07C
		Heater Kit - 10kW/208-240/3	RXBH-17A10C RXBH-1724A10C	RXBH-17A10C RXBH-1724A10C	RXBH-24A10C RXBH-1724A10C	RXBH-24A10C RXBH-1724A10C	RXBH-24A10C RXBH-1724A10C	RXBH-24A10C RXBH-1724A10C
		Heater Kit - 13kW/208-240/3	RXBH-17A13C RXBH-1724A13C	RXBH-17A13C RXBH-1724A13C	N/A	N/A	N/A	N/A
		Heater Kit - 15kW/208-240/3	N/A	RXBH-17A15C RXBH-1724A15C	RXBH-24A15C RXBH-1724A15C	RXBH-24A15C RXBH-1724A15C	RXBH-24A15C RXBH-1724A15C	RXBH-24A15C RXBH-1724A15C
		Heater Kit - 18kW/208-240/3	N/A	RXBH-17A18C RXBH-1724A18C	RXBH-24A18C RXBH-1724A18C	RXBH-24A18C RXBH-1724A18C	RXBH-24A18C RXBH-1724A18C	RXBH-24A18C RXBH-1724A18C
		Heater Kit - 20kW/208-240/3	N/A	N/A	RXBH-24A20C	RXBH-24A20C	RXBH-24A20C	RXBH-24A20C
		Heater Kit - 25kW/208-240/3	N/A	N/A	RXBH-24A25C	RXBH-24A25C	RXBH-24A25C	RXBH-24A25C
		Heater Kit - 30kW/208-240/3	N/A	N/A	N/A	N/A	RXBH-24A30C	RXBH-24A30C



Exploded View



Blower Assembly

NOTES

Stk It is recommended that stock be maintained for this part.
N/A Not Applicable

DISCLAIMER: This document is intended to provide general replacement parts information to aid qualified service personnel in the repair of these models. The complete Model and Serial Number of the unit under repair should be specified when selecting and ordering replacement parts. Specifications and illustrations are subject to change without notice. Document 92-42800-RHKL supersedes all previous parts lists for these models. See <http://www.rheempartslists.net/92-42800-RHKL> for the latest revision of this document. The manufacturer assumes no obligation for errors or omissions. Service personnel must verify the proper and safe operation of equipment after the replacement of any original components.