



# RGLE

Parts List  
06-August-2014



*This parts list is current as of the above revision date.  
See <http://www.rheempartslists.net/92-42800-RGLE.pdf> for the current revision.*

**80% Gas Furnaces - 2 Stage**

# Table of Contents

|                                  |         |
|----------------------------------|---------|
| Model Explanation .....          | Page 3  |
| <b>Parts Numbers</b>             |         |
| Panels - Miscellaneous .....     | Page 4  |
| Electrical Group .....           | Page 5  |
| Blower Group.....                | Page 5  |
| Heat Exchanger-Burner Group..... | Page 6  |
| Gas Controls .....               | Page 6  |
| Orifice Selection Chart.....     | Page 7  |
| <b>Drawings/Photographs</b>      |         |
| Exploded View .....              | Page 8  |
| Blower Assembly .....            | Page 9  |
| Burner Assembly .....            | Page 10 |
| Notes/Disclaimer .....           | Page 11 |

**MODEL NUMBER EXPLANATION**

|          |          |          |          |          |          |          |          |          |          |          |          |
|----------|----------|----------|----------|----------|----------|----------|----------|----------|----------|----------|----------|
| <b>R</b> | <b>G</b> | <b>L</b> | <b>E</b> | <b>-</b> | <b>0</b> | <b>7</b> | <b>E</b> | <b>A</b> | <b>M</b> | <b>K</b> | <b>R</b> |
| (1)      | (2)      | (3)      | (4)      |          |          | (5)      |          | (6)      | (7)      | (8)      | (9)      |

(1) **TRADEBRAND IDENTIFICATION**  
(See Note 2)

(2) **MODEL**  
G = Gas Furnace (80% - 2 Stage)

(3) **TYPE**  
L = Downflow

(4) **DESIGN SERIES / VARIATION**

(5) **HEATING INPUT DESIGNATION**  
07 = 70,00 BTU/HR  
10 = 100,00 BTU/HR  
12 = 120,00 BTU/HR

E = Electric Ignition  
N = Electric Ignition with NOX

(6) **VARIATION**  
A = Std. Cabinet  
B = Wide Cabinet

(7) **BLOWER DESIGNATION**  
M = 11 x 7  
R = 11 x 10

(8) **AIRFLOW**  
K = 800-1200 CFM  
Q = 1000-1600 CFM  
M = 1200-2000 CFM

(9) **FUEL DESIGNATION**  
R = Natural Gas - U.S. and Canada

**SERIAL NUMBER EXPLANATION (Units Produced before Nov. 2013)**

|          |          |          |          |          |          |          |          |          |          |          |          |          |          |          |          |
|----------|----------|----------|----------|----------|----------|----------|----------|----------|----------|----------|----------|----------|----------|----------|----------|
| <b>G</b> | <b>Z</b> | <b>5</b> | <b>D</b> | <b>7</b> | <b>0</b> | <b>7</b> | <b>F</b> | <b>2</b> | <b>0</b> | <b>1</b> | <b>0</b> | <b>9</b> | <b>9</b> | <b>9</b> | <b>9</b> |
| (1)      |          | (2)      | (3)      | (4)      | (5)      | (6)      | (7)      |          | (8)      |          | (9)      |          |          | (10)     |          |

(1) **GAS CODE**

(2) **LIMIT CONTROL**

(3) **BLOWER**

(4) **HEATING ELEMENT**

(5) **SPECIAL AREA REQUIREMENT**

(6) **MOTOR HORSEPOWER**

(7) **PLANT**  
F = Fort Smith, AR

(8) **WEEK**

(9) **YEAR**

(10) **PRODUCTION NUMBER**

**SERIAL NUMBER EXPLANATION (Units Produced after Nov. 2013)**

|          |          |          |          |          |          |          |          |          |
|----------|----------|----------|----------|----------|----------|----------|----------|----------|
| <b>F</b> | <b>0</b> | <b>8</b> | <b>1</b> | <b>3</b> | <b>9</b> | <b>9</b> | <b>9</b> | <b>9</b> |
| (1)      |          | (2)      |          | (3)      |          |          | (4)      |          |

(1) **PLANT CODE**

(2) **WEEK (DATE CODE)**

(3) **YEAR**

(4) **PRODUCTION NUMBER**

**Note: For Gas Code, see Control System Gas Code on Rating Plate**

| No.  | Notes | MODEL<br>HEATING CAPACITY<br>VARIATION<br>BLOWER DESIGNATION<br>AIRFLOW  | RGLE                     | RGLE              | RGLE              | RGLE              |
|--|-------|--|--------------------------|-------------------|-------------------|-------------------|
|  |       |  | 07<br>A<br>M<br>K        | 07<br>B<br>R<br>Q | 10<br>B<br>R<br>M | 12<br>A<br>R<br>M |
| <b>PANELS, SHEET METAL, MISCELLANEOUS - See Note 2</b> |       |  |                          |                   |                   |                   |
| 1  | 3     | Jacket (See Note 3)  | N/A                      | N/A               | N/A               | N/A               |
| 2  |       | Top Plate (Platinum)   | AE-66981-02              | AE-66981-03       | AE-66981-03       | AE-66981-04       |
| 2  |       | Top Plate (Granite/Steel Gray)   | AE-66981-10              | AE-66981-11       | AE-66981-11       | AE-66981-12       |
| 3  |       | Blower/Filter Door (includes Sight Glass) - Neutra Green                 | AS-67894-11              | AS-67895-11       | AS-67895-11       | AS-67896-11       |
| 3  |       | Blower/Filter Door (includes Sight Glass) - Granite/Steel Gray           | AS-67894-13              | AS-67895-13       | AS-67895-13       | AS-67896-13       |
| 4  |       | Burner Door (includes Sight Glass and Button Plugs) - Neutra Green       | AS-101734-01             | AS-101735-01      | AS-101735-01      | AS-101736-01      |
| 4  |       | Burner Door (includes Sight Glass and Button Plugs) - Granite/Steel Gray | AS-101734-11             | AS-101735-11      | AS-101735-11      | AS-101736-11      |
|  |       | Door Angle   | AE-66980-02              | AE-66980-02       | AE-66980-03       | AE-66980-04       |
|  |       | Plug Button - 1-3/16 in. opening (2)                                     | 45-22980-01              | 45-22980-01       | 45-22980-01       | 45-22980-01       |
| 5  |       | Mounting Control Plate   | AE-67877-01              | AE-67877-01       | AE-67877-01       | AE-67877-01       |
| 6  |       | Junction Box   | AE-61475-02              | AE-61475-02       | AE-61475-02       | AE-61475-02       |
| 7  |       | Junction Box Cover   | AE-61476-02              | AE-61476-02       | AE-61476-02       | AE-61476-02       |
| 9  |       | Flue Pipe  | AE-66691-14              | AE-66691-14       | AE-66691-14       | AE-66691-14       |
| 10   |       | Flue Pipe Enclosure  | AE-66982-01              | AE-66982-01       | AE-66982-01       | AE-66982-01       |
| 11   |       | Flue Pipe Enclosure Door   | AE-66983-01              | AE-66983-01       | AE-66983-01       | AE-66983-01       |
| 12   |       | Rear Baffle  | AE-66994-02              | AE-66994-06       | AE-66994-06       | AE-66994-04       |
|  |       | Side Baffle - Right  | AE-61606-01              | AE-101899-01      | AE-61668-01       | AE-61665-01       |
|  |       | Side Baffle - Left   | AE-61606-01              | AE-101899-02      | AE-61668-01       | AE-61665-01       |
| 14   |       | Pressure Switch  | See Electrical Group     |                   |                   |                   |
| 15   |       | Door Switch - Push Button  | See Electrical Group     |                   |                   |                   |
| 16   |       | Limit - Main Limit (Heat Exchanger Panel)                                | See Electrical Group     |                   |                   |                   |
| 17   |       | Limit - Manual Reset (Burner Compartment)                                | See Electrical Group     |                   |                   |                   |
| 18   |       | Limit - Heat Assisted (Blower Housing)                                   | See Electrical Group     |                   |                   |                   |
| 19   |       | Transformer  | See Electrical Group     |                   |                   |                   |
| 20   |       | Power Factor Choke   | See Electrical Group     |                   |                   |                   |
| 21   |       | Induced Draft Blower w/Gasket  | See Electrical Group     |                   |                   |                   |
| 22   |       | Blower Assembly  | See Blower Group         |                   |                   |                   |
| 27   |       | Heat Exchanger Assembly  | See Heat Exchanger Group |                   |                   |                   |
| 28   |       | Heat Exchanger Bracket   | See Heat Exchanger Group |                   |                   |                   |
| 29   |       | Filter (2)   | 54-22699-01              | 54-22699-01       | 54-22699-01       | 54-22699-02       |
| 30   |       | Filter Rack  | AE-66681-01              | AE-66681-01       | AE-66681-01       | AE-66681-01       |
| 37   |       | NOX Burner Inserts   | See Heat Exchanger Group |                   |                   |                   |
| 38   |       | NOX Insert Retainer  | See Heat Exchanger Group |                   |                   |                   |
| 39   |       | Gas Valve  | See Gas Controls         |                   |                   |                   |
| 40   |       | Integrated Furnace Control Board (IFC)                                   | See Gas Controls         |                   |                   |                   |
|  |       | Touch-up Paint - Platinum (Aerosol)                                      | 523012                   | 523012            | 523012            | 523012            |
|  |       | Touch-up Paint - Platinum (Paint Pens)                                   | 523013                   | 523013            | 523013            | 523013            |
|  |       | Touch-up Paint - Green (Aerosol)   | 52-18662-48              | 52-18662-48       | 52-18662-48       | 52-18662-48       |
|  |       | Touch-up Paint - Green (Paint Pens)                                      | 523010                   | 523010            | 523010            | 523010            |
|  |       | Touch-up Paint - Granite/Steel Gray (Aerosol)                            | PD523018                 | PD523018          | PD523018          | PD523018          |
|  |       | Touch-up Paint - Granite/Steel Gray (Paint Pens)                         | PD523019                 | PD523019          | PD523019          | PD523019          |

| No.                                  | Notes | MODEL<br>HEATING CAPACITY<br>VARIATION<br>BLOWER DESIGNATION<br>AIRFLOW              | RGLE              | RGLE              | RGLE              | RGLE              |
|--------------------------------------|-------|--|-------------------|-------------------|-------------------|-------------------|
|                                      |       |  | 07<br>A<br>M<br>K | 07<br>B<br>R<br>Q | 10<br>B<br>R<br>M | 12<br>A<br>R<br>M |
| <b>ELECTRICAL GROUP - See Note 2</b> |       |  |                   |                   |                   |                   |
| 14                                   | Stk   | Dual Pressure Switch   | 42-102341-02      | 42-102341-02      | 42-102341-02      | 42-102341-02      |
| 14                                   | Stk   | Dual Pressure Switch - 278 Option  | 42-102341-03      | 42-102341-03      | 42-102341-03      | 42-102341-03      |
| 15                                   | Stk   | Door Switch - Push Button  | 42-22692-08       | 42-22692-08       | 42-22692-08       | 42-22692-08       |
| 16                                   | Stk   | Limit - Main Limit (Heat Exchanger Panel)  | 47-25349-13       | 47-25349-16       | 47-25349-02       | 47-25349-12       |
| 17                                   | Stk   | Limit - Manual Reset (Burner Compartment)  | 47-22861-03       | 47-22861-03       | 47-22861-03       | 47-22861-03       |
| 18                                   | Stk   | Limit - Heat Assisted (Blower Housing)   | 47-22860-06       | 47-22860-06       | 47-22860-06       | 47-22860-06       |
| 19                                   | Stk   | Transformer  | 46-102856-01      | 46-102856-01      | 46-102856-01      | 46-102856-01      |
| 20                                   |       | Power Factor Choke   | N/A               | 46-24256-02       | 46-24256-02       | 46-24256-02       |
| 20                                   | 4     | Power Factor Choke - Before F1712 (See Note 4)                                       | 46-24256-02       | N/A               | N/A               | N/A               |
|                                      | 4     | Jumper Wire Assembly - After F1712 (See Note 4)                                      | 45-104318-01      | N/A               | N/A               | N/A               |
| 21                                   | Stk   | Induced Draft Blower w/Gasket  | 70-101888-01      | 70-101888-01      | 70-101888-02      | 70-101888-02      |
|                                      |       | Control - Identity EEPROM  | 47-102738-16      | 47-102738-17      | 47-102738-18      | 47-102738-19      |
|                                      |       | Wiring Harness - 9 pin to (3 pin - to gas valve and 7 terminals)                     | 45-102812-01      | 45-102812-01      | 45-102812-01      | 45-102812-01      |
|                                      |       | Wiring Harness - 4 pin from Blower Motor to 4 pin                                    | 45-102785-01      | 45-102785-01      | 45-102785-01      | 45-102785-01      |
|                                      |       | Wiring Harness - 15 pin to 9 pin and two 4 pin connectors                            | 45-102967-01      | 45-102967-01      | 45-102967-01      | 45-102967-01      |
|                                      |       | Wiring Harness - 9 pin to 15 pin from IFC Board                                      | 45-102967-01      | 45-102967-01      | 45-102967-01      | 45-102967-01      |
|                                      |       | Wiring Harness - 5 pin from Indoor Blower Motor to 2 pin and 3 pin connectors        | 45-103019-01      | 45-103019-01      | 45-103019-01      | 45-103019-01      |
|                                      |       | Wiring Harness - 3 pin to (2 terminals and 1 strip back - from Junction Box)         | 45-24371-53       | 45-24371-53       | 45-24371-53       | 45-24371-53       |
|                                      |       | Wiring Harness - 4 pin to 4 pin and 1 terminal (Blower Shelf to Induced Draft Motor) | 45-102789-01      | 45-102789-01      | N/A               | N/A               |
|                                      |       | Wiring Harness - 4 pin to 5 pin and 1 terminal (Blower Shelf to Induced Draft Motor) | N/A               | N/A               | 45-102790-01      | 45-102790-01      |

| No.                              | Notes | MODEL<br>HEATING CAPACITY<br>VARIATION<br>BLOWER DESIGNATION<br>AIRFLOW                | RGLE                 | RGLE              | RGLE              | RGLE              |
|----------------------------------|-------|--|----------------------|-------------------|-------------------|-------------------|
|                                  |       |  | 07<br>A<br>M<br>K    | 07<br>B<br>R<br>Q | 10<br>B<br>R<br>M | 12<br>A<br>R<br>M |
| <b>BLOWER GROUP - See Note 2</b> |       |  |                      |                   |                   |                   |
| 22                               | Stk   | Blower Assembly (Includes items 23-26)   | AS-67876-40          | AS-67876-43       | AS-67876-42       | AS-67876-42       |
| 23                               |       | Housing  | AS-61674-21          | AS-61674-22       | AS-61674-22       | AS-61674-22       |
| 24                               | Stk,5 | Blower Motor - Communicating ECM (See Note 5)  | 51-102602-01         | 51-102603-01      | 51-102605-01      | 51-102605-01      |
|                                  |       | Control - Identity EEPROM  | See Electrical Group |                   |                   |                   |
|                                  | Stk,5 | ECM Motor Module - Genteq ECM 3.0 (See Note 5)   | 51-103226-01         | 51-103224-01      | 51-103223-01      | 51-103223-01      |
|                                  | Stk,5 | ECM Motor Module - U.S. Motors PerfectSpeed (See Note 5)                               | 51-104362-03         | 51-104362-02      | 51-104362-01      | 51-104362-01      |
| 25                               |       | Motor Mount Kit: includes grommets, screws, nuts, motor mount and motor mount brackets | 70-24104-82          | 70-24104-82       | 70-24104-82       | 70-24104-82       |
|                                  |       | Motor Mount  | 70-24104-02          | 70-24104-02       | 70-24104-02       | 70-24104-02       |
|                                  |       | Motor Mount Bracket (4)  | AE-61956-01          | AE-61956-01       | AE-61956-01       | AE-61956-01       |
| 26                               | Stk   | Blower Wheel   | 70-24254-02          | 70-23111-20       | 70-23111-20       | 70-23111-20       |

| No.   | Notes | MODEL<br>HEATING CAPACITY<br>VARIATION<br>BLOWER DESIGNATION<br>AIRFLOW | RGLE                        | RGLE               | RGLE               | RGLE               |
|---|-------|---|-----------------------------|--------------------|--------------------|--------------------|
|   |       |   | 07<br>A<br>M<br>K           | 07<br>B<br>R<br>Q  | 10<br>B<br>R<br>M  | 12<br>A<br>R<br>M  |
| <b>HEAT EXCHANGER, BURNER / MANIFOLD - See Note 2</b> |       |   |                             |                    |                    |                    |
| 27  | Stk   | Heat Exchanger Assembly   | AS-100561-02                | AS-66997-24        | AS-66997-17        | AS-66997-18        |
|   |       | NOX Burner Inserts  | AS-67875-01<br>(2)          | AS-67875-01<br>(2) | AS-67875-01<br>(3) | AS-67875-01<br>(4) |
|   |       | NOX Insert Retainer   | AE-67872-02                 | AE-67872-02        | AE-67872-03        | AE-67872-04        |
| 28  |       | Heat Exchanger Bracket (2)  | AE-67846-02                 | AE-67846-02        | AE-67846-02        | AE-67846-02        |
| 32  | Stk   | Burner Assembly   | AS-60993-03                 | AS-60993-03        | AS-60993-04        | AS-60993-05        |
| 33  |       | Burner Support  | AE-60997-02                 | AE-60997-02        | AE-60997-03        | AE-60997-04        |
| 34  |       | Burner Support Bracket (2)  | AE-61588-02                 | AE-61588-02        | AE-61588-02        | AE-61588-02        |
|   |       | Burner Cover Plate  | AE-101080-02                | AE-101080-02       | AE-101080-03       | AE-101080-04       |
| 35  | Stk   | Manifold (w/o Orifices)   | 81-102427-02                | 81-102427-02       | 81-102427-03       | 81-102427-04       |
| 36  |       | Burner Orifice - Natural Gas  | See Orifice Selection Chart |                    |                    |                    |
| 36  |       | Burner Orifice - LP   | See Orifice Selection Chart |                    |                    |                    |
| 36  |       | Number of Orifices  | (3)                         | (3)                | (4)                | (5)                |
| 37  |       | NOX Burner Inserts  | AS-67875-01<br>(2)          | AS-67875-01<br>(2) | AS-67875-01<br>(3) | AS-67875-01<br>(4) |
| 38  |       | NOX Insert Retainer   | AE-67872-02                 | AE-67872-02        | AE-67872-03        | AE-67872-04        |

| No.                              | Notes | MODEL<br>GAS CODE                      | RGLE         |  |  |  |
|----------------------------------|-------|--|--------------|--|--|--|
|                                  |       |  | GZ           |  |  |  |
| <b>GAS CONTROLS - See Note 2</b> |       |  |              |  |  |  |
| 33                               | Stk   | Gas Valve - Natural Gas                | 60-101921-01 |  |  |  |
| 33                               | Stk,1 | Gas Valve - LP                         | See Note 1   |  |  |  |
| 34                               | Stk   | Integrated Furnace Control Board (IFC) | 62-102784-01 |  |  |  |
| 36                               | Stk   | Flame Sensor                           | 62-23543-01  |  |  |  |
| 37                               | Stk   | Direct Spark Ignitor                   | 62-24164-01  |  |  |  |
| 38                               |       | Direct Spark Ignitor Bracket           | AE-61885-02  |  |  |  |
|                                  |       | <b>LP Conversion Kit:</b>              |              |  |  |  |
|                                  | Stk   | U.S. Models                            | FP-32        |  |  |  |
|                                  | Stk   | Canadian Models                        | FP-32        |  |  |  |

**80% GAS FURNACE - ORIFICE SELECTION CHART - NATURAL GAS**

**CAUTION:** Selection of the correct Natural Gas Orifice requires the following information for the specific installation:

- 1) Altitude in of the installation (ft.).
- 2) Average energy content of the Natural Gas fuel from the local supplier (BTU/cu. ft.).

For detailed information and instructions for Orifice selection, see the Gas Furnace LP Conversion Kit Index 92-21519-59 and the latest edition of the National Fuel Gas Code Handbook, or the National Standard of Canada, Natural Gas and Propane Installation Code, CAN B149.1.

**CAUTION:** This information is provided for replacement purposes only. Conversion for operation at High Altitude must be done using the kit specified on the product specification sheet for the unit.

NOTE: This Orifice sizing chart is based on 25,000 BTU/HR per burner.

NOTE: Factory installed orifices are calculated and sized based on a Natural Gas heating value of 1075 BTU/cu. ft. and an elevation of 0 - 3000 ft.

| Energy Value<br>(BTU/cu. ft.) | Elevation (ft.) |             |             |             |             |             |             |             |
|-------------------------------|-----------------|-------------|-------------|-------------|-------------|-------------|-------------|-------------|
|                               | 0 - 1999        | 2000 - 2999 | 3000 - 3999 | 4000 - 4999 | 5000 - 5999 | 6000 - 6999 | 7000 - 7999 | 8000 - 8999 |
| <b>850</b>                    | 62-22175-38     | 62-22175-39 | 62-22175-40 | 62-22175-41 | 62-22175-41 | 62-22175-42 | 62-22175-42 | 62-22175-43 |
| <b>900</b>                    | 62-22175-40     | 62-22175-41 | 62-22175-42 | 62-22175-42 | 62-22175-42 | 62-22175-43 | 62-22175-43 | 62-22175-44 |
| <b>975</b>                    | 62-22175-41     | 62-22175-42 | 62-22175-42 | 62-22175-42 | 62-22175-43 | 62-22175-43 | 62-22175-44 | 62-22175-44 |
| <b>1075</b>                   | 62-22175-42     | 62-22175-42 | 62-22175-43 | 62-22175-43 | 62-22175-43 | 62-22175-44 | 62-22175-44 | 62-22175-45 |
| <b>1170</b>                   | 62-22175-43     | 62-22175-44 | 62-22175-44 | 62-22175-44 | 62-22175-45 | 62-22175-45 | 62-22175-46 | 62-22175-47 |

**80% GAS FURNACE - ORIFICE SELECTION CHART - LP**

**CAUTION:** Selection of the correct LP Orifice requires the altitude of the specific installation (ft.).

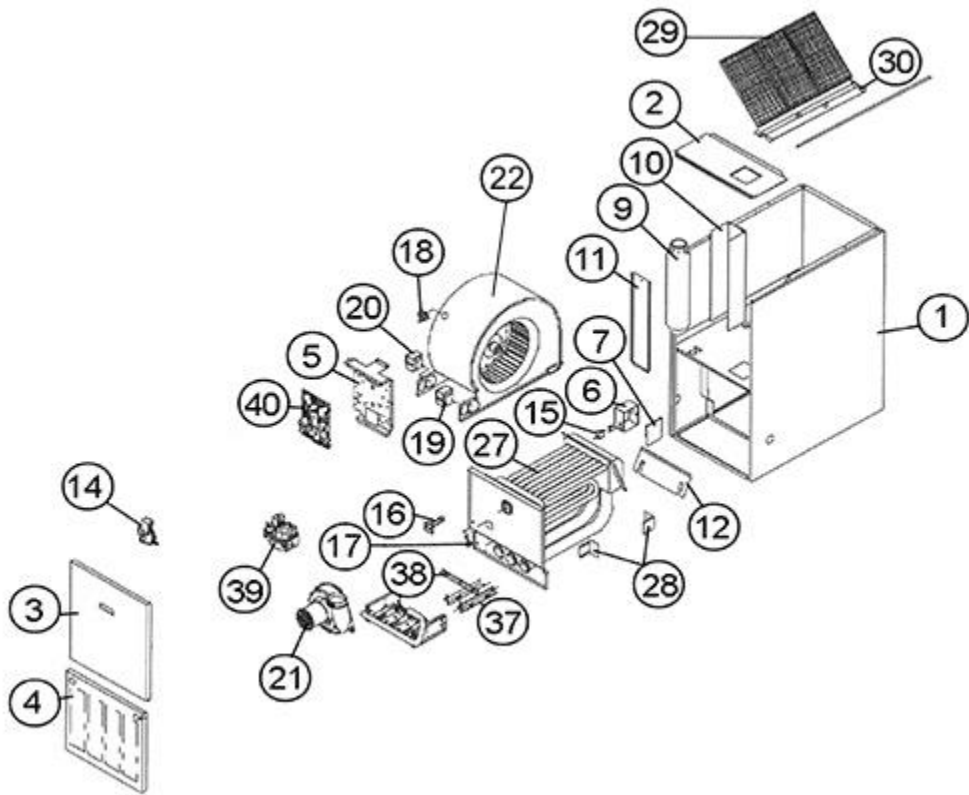
For detailed information and instructions for Orifice selection, see the Gas Furnace LP Conversion Kit Index 92-21519-59 and the latest edition of the National Fuel Gas Code Handbook (NFG), or the National Standard of Canada, Natural Gas and Propane Installation Code, CAN B149.1.

**CAUTION:** This information is provided for replacement purposes only. Conversion to LP or for operation at High Altitude should be done using the kit(s) specified on the product specification sheet for the unit.

NOTE: This Orifice sizing chart is based on 25+A18,000 BTU/HR per burner. Also, the chart is developed using the specified pressure setting of 10 in. water column instead of the 11.0 in water column used by the NFG and CANB149.1.

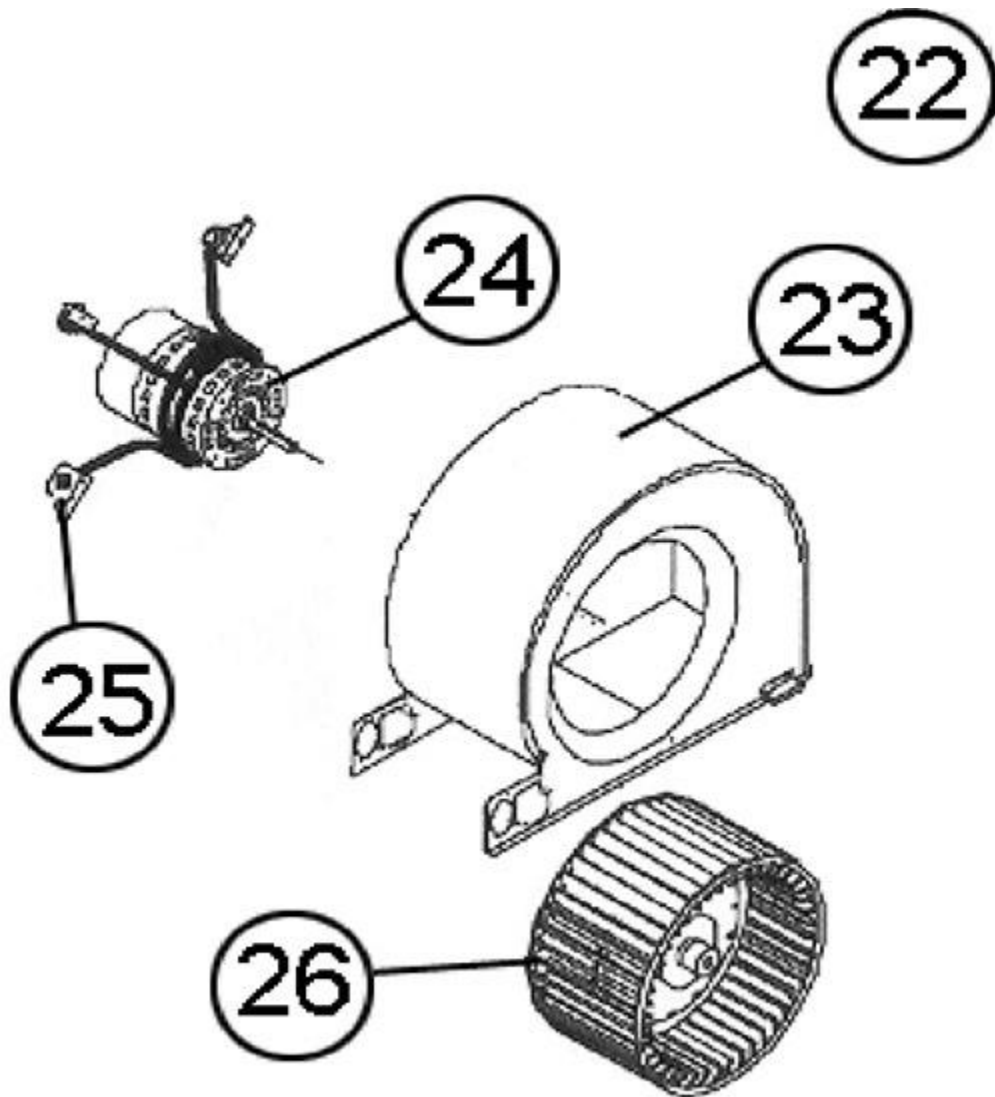
NOTE: Orifices supplied in the LP Conversion Kit are calculated and sized based on an altitude of 0 - 4000 ft.

| Elevation (ft.) | Orifice     |  |  |  |  |  |  |  |
|-----------------|-------------|--|--|--|--|--|--|--|
| 0 - 2000        | 62-22175-54 |  |  |  |  |  |  |  |
| 2001 - 3000     | 62-22175-54 |  |  |  |  |  |  |  |
| 3001 - 4000     | 62-22175-54 |  |  |  |  |  |  |  |
| 4001 - 5000     | 62-22175-54 |  |  |  |  |  |  |  |
| 5001 - 6000     | 62-22175-54 |  |  |  |  |  |  |  |
| 6001 - 7000     | 62-22175-54 |  |  |  |  |  |  |  |
| 7001 - 8000     | 62-22175-55 |  |  |  |  |  |  |  |
| 8001 - 9000     | 62-22175-55 |  |  |  |  |  |  |  |
| 9001 - 10000    | 62-22175-55 |  |  |  |  |  |  |  |

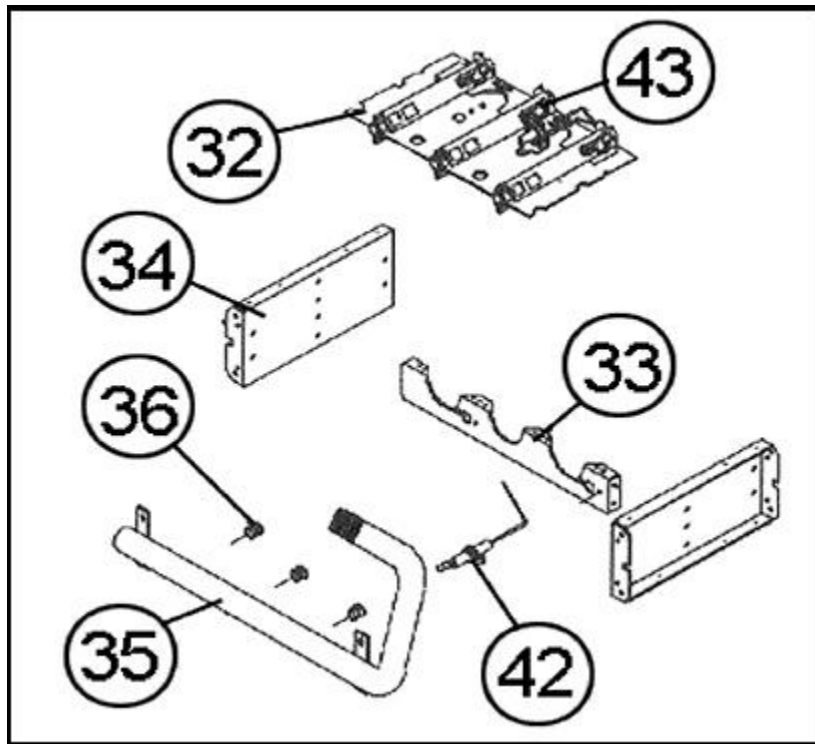


Exploded View





Blower Assembly



Burner Assembly

# NOTES

Stk It is recommended that stock be maintained for this part.

N/A Not Applicable

- 1 Order Gas Valve for Natural Gas along with LP Conversion Kit.
- 2 This document only applies to current GLE models that were rereleased as 2 Stage units (2010 and later model year).
- 3 Jacket is not available for replacement.
- 4 Replacement of Power Factor Choke is optional on units with 1/2 hp, X-13 and ECM, motors produced before F1712. After approximate date code F1712, production units will be supplied with a Jumper Wire Assembly (45-104318-01) in lieu of a Power Factor Choke. This Jumper Wire Assembly can be retrofitted to units built before Date Code F1712.
- 5 Both Genteq ECM 3.0 and U.S. Motors PerfectSpeed motors were installed in production. The motor shown will replace either manufacturer. However, if only the module is being replaced, the manufacturer of the original motor must be determined before selecting a replacement module.

**DISCLAIMER:** This document is intended to provide general replacement parts information to aid qualified service personnel in the repair of these models. The complete Model and Serial Number of the unit under repair should be specified when selecting and ordering replacement parts. Specifications and illustrations are subject to change without notice. Document 92-42800-RGLE supersedes all previous parts lists for these models. See <http://www.rheempartslists.net/92-42800-RGLE> for the latest revision of this document. The manufacturer assumes no obligation for errors or omissions. Service personnel must verify the proper and safe operation of equipment after the replacement of any original components.