



RF1T

Parts List
03-October-2017



*This parts list is current as of the above revision date.
See <http://www.rheempartslists.net/92-42800-RF1T.pdf> for the current revision.*

Air Handlers

Table of Contents

Model Explanation	Page 3
Panels - Miscellaneous	Page 4
Electrical Group	Page 4
Blower Group.....	Page 5
Coil Parts	Page 6
Heater Kits	Page 6
Drawings/Photographs	
Exploded View 24MT	Page 7
Exploded View 36MT	Page 8
Notes/Disclaimer	Page 9

MODEL NUMBER EXPLANATION

R	F	1	T	24	21	M	T	A	N	J	A	B	03
1	2	3	4	5	6	7	8	9	10	11	12	13	14

- | | |
|--|---|
| <p>(1) Brand</p> <p>(2) Product Category
F = Front Return Air Handler</p> <p>(3) Stage of Air Flow
1 = Single</p> <p>(4) MOTOR TYPE
T = Constant Torque</p> <p>(5) NOMINAL CAPACITY (BTU/HR)
018 = 18,000
024 = 24,000
030 = 30,000
036 = 36,000</p> <p>(6) WIDTH
21 = 21.5 inches
24 = 24 inches</p> <p>(7) EFFICIENCY
S = Standard
M = Medium
H = High</p> <p>(8) METERING DEVICE
T = TEV
P = Piston</p> | <p>(9) MAJOR SERIES
A = First</p> <p>(10) CONTROLS
N = Non-Communicating</p> <p>(11) VOLTAGE
J = 208-230/1/60</p> <p>(12) MINOR SERIES
A = First</p> <p>(13) DISCONNECT
B = Breaker
N = None</p> <p>(14) FACTORY HEAT
00 = No Heat
03 = 3 kW
05 = 5 kW
08 = 8 kW
10 = 10 kW</p> |
|--|---|

SERIAL NUMBER EXPLANATION

W	0	8	1	3	9	9	9	9
(1)	(2)		(3)		(4)			

- (1) **PLANT CODE**
W = West Nuevo Laredo
- (2) **WEEK OF PRODUCTION**
- (3) **YEAR OF PRODUCTION**
- (4) **PRODUCTION NUMBER**

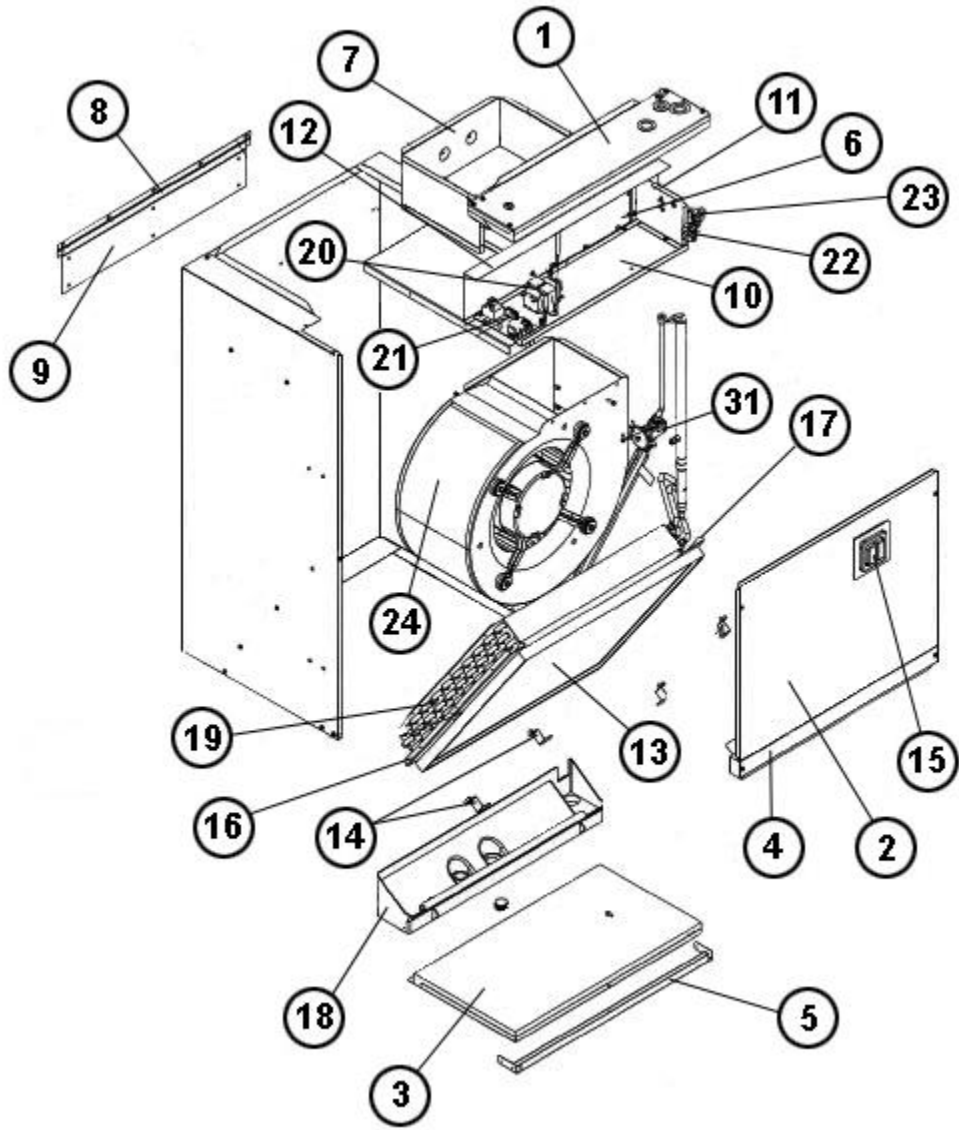
No.	Notes	MODEL NOMINAL CAPACITY CABINET WIDTH EFFICIENCY/METERING DEVICE	RF1T	RF1T
			24 21 M/T	36 24 M/T
PANELS, SHEET METAL, MISCELLANEOUS				
1	1	Top Panel	AE-103095-15	AE-103095-13
		Insulation - Top Panel	68-103240-09	68-103240-02
		Wire Insulation Retainer	45-102868-06	45-102868-07
		Grommet - 3/8 O.D. Tube	56-22521-02	56-22521-02
		Grommet - Header Tube	56-22521-05	56-22521-05
2	1	Blower Door (Models without Heater Kit)	AE-103093-17	AE-103093-18
2	1	Blower Door (Models with Heater Kit)	AE-103093-11	AE-103093-14
		Insulation - Blower Door	68-103240-03	68-103240-13
3	1	Bottom Panel	AE-103098-03	AE-103098-12
		Insulation - Bottom Panel	68-103240-17	68-103240-05
4	1	Middle (Front) Brace	AE-103219-01	AE-103219-02
		Insulation - Middle (Front) Brace	68-103240-07	68-103240-12
5		Bottom Brace	AE-103100-01	AE-103100-02
6		Plate - Block Off (No Heat)	AE-103098-11	AE-103098-11
7		Barrier - Heater Box	AE-103098-08	AE-103098-02
8		Mounting Bracket - Cabinet	AE-103105-01	AE-103105-01
9		Mounting Bracket - Wall	AE-103105-02	AE-103105-02
10		Blower Shelf	AE-103096-15	AE-103096-14
		Bushing - Universal Open/Closed (Beside Control Board)	45-103252-02	45-103252-02
11		Divider Panel - Heater Box	AE-103098-10	AE-103098-04
12		Front Panel - Heater Box	AE-103098-09	AE-103098-13
13		Filter	54-17531-04	54-17531-06
14		Filter Retainer (4)	AE-103218-01	N/A
14		Filter Rail (2)	N/A	10-103218-05
15		Cover - Circuit Breaker	68-103316-01	68-103316-01
16		Coil Bracket - Left	See Coil Group	
17		Coil Bracket - Right	See Coil Group	
18		Drain Pan	See Coil Group	
19		Coil	See Coil Group	
36		Control Cover	N/A	AE-103328-01

No.	Notes	MODEL NOMINAL CAPACITY CABINET WIDTH VOLTAGE	RF1T	RF1T
			24 21 J	36 24 J
ELECTRICAL GROUP				
20	Stk	Transformer	46-101905-01	46-101905-01
21	Stk	Control Board	47-100436-02	47-100436-02
22		Terminal Block	45-23222-02	45-23222-02
23		Grounding Lug	45-19000-01	45-19000-01
		Switch - Drain Pan Overflow Protection (Option 417)	42-103356-01	42-103356-01
		Wiring Harness - 2 Pin Connector to 2 Stripped Leads (Power Input to Terminal Block)	45-24371-57	45-24371-57
		Circuit Breaker	See Heater Kit Parts List	
		Wiring Harness - Circuit Breaker to 2 Pin Connector	See Heater Kit Parts List	
		Wiring Harness - 4 Pin Connector from Control Board to Heater	See Heater Kit Parts List	

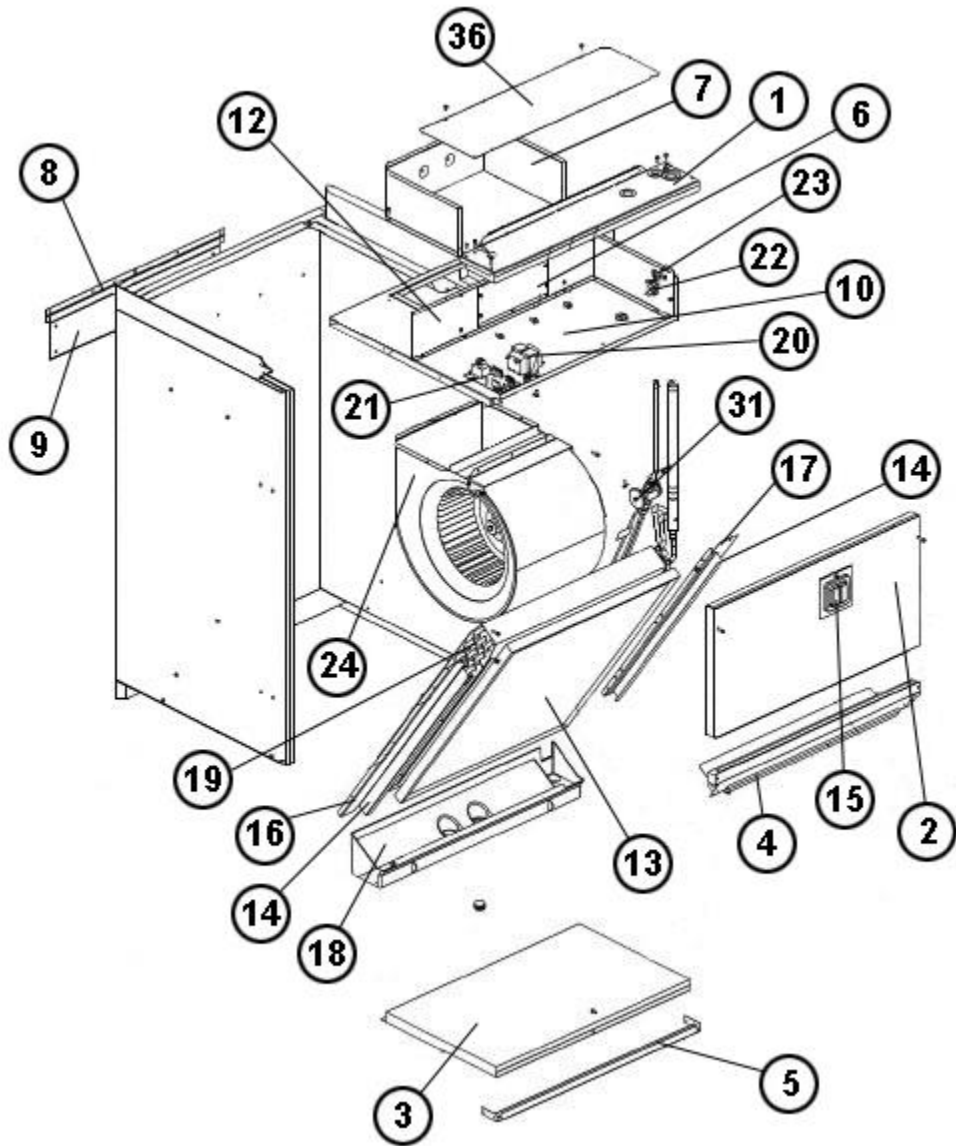
No.	Notes	MODEL	RF1T	RF1T
		NOMINAL CAPACITY	24	36
		CABINET WIDTH	21	24
		VOLTAGE	J	J
BLOWER GROUP				
24	Stk	Blower Assembly (Includes items listed below)	AS-103222-07	AS-103222-08
25		Blower Housing w/Wheel	70-103221-02	70-103221-01
	Stk	Blower Wheel	703022	703021
26		Motor Mount - Band	70-19927-04	70-19927-04
27		Motor Mount - Arm (4)	70-19929-10	70-19929-11
28	Stk	Blower Motor	51-104358-14	51-104359-32
32		Bolt	63-19919-01	63-19919-01
33		Locknut	63-17189-03	63-17189-03
34		Washer (4)	63-26198-02	63-26198-02
35		Screw (4)	63-101978-01	63-101978-01

No.	Notes	MODEL	RF1T	RF1T
		NOMINAL CAPACITY	24	36
		CABINET WIDTH	21	24
		EFFICIENCY/METERING DEVICE	M/T	M/T
		VOLTAGE	J	J
COIL GROUP				
19		Coil	RCKM-T24A	RCKM-T36A
		Header - Coil	82-105029-01	82-105029-02
		Coil Seal	68-103682-03	68-103682-04
16		Coil Bracket - Left	10-103106-11	10-103106-08
17		Coil Bracket - Right	10-103106-12	10-103106-09
18	Stk	Drain Pan	68-103104-01	68-103104-02
31	Stk	TXV - Expansion Valve	61-105430-01	61-105430-02
		Bulb Strap Kit - TXV	64-101357-01	64-101357-01

No.	Notes	MODEL	RF1T	RF1T
		NOMINAL CAPACITY	24	36
		CABINET WIDTH	21	24
		VOLTAGE	J	J
HEATER KITS				
		Heater Kit - 3kW/208-230/1	RXHJ-21B03J	RXHJ-24B03J
		Heater Kit - 5kW/208-230/1	RXHJ-21B05J	RXHJ-24B05J
		Heater Kit - 8kW/208-230/1	RXHJ-21B08J	RXHJ-24B08J
		Heater Kit - 10kW/208-230/1	RXHJ-21B10J	RXHJ-24B10J



Exploded View 24MT



Exploded View 36MT

NOTES

- Stk It is recommended that stock be maintained for this part.
N/A Not Applicable
1 Panel is without insulation. Insulation must be ordered separately.

DISCLAIMER: This document is intended to provide general replacement parts information to aid qualified service personnel in the repair of these models. The complete Model and Serial Number of the unit under repair should be specified when selecting and ordering replacement parts. Specifications and illustrations are subject to change without notice. Document 92-42800-RF1T supersedes all previous parts lists for these models. See <http://www.rheempartslists.net/92-42800-RF1T> for the latest revision of this document. The manufacturer assumes no obligation for errors or omissions. Service personnel must verify the proper and safe operation of equipment after the replacement of any original components.