



RANL

Parts List
28-August-2014



*This parts list is current as of the above revision date.
See <http://www.rheempartslists.net/92-42800-RANL.pdf> for the current revision.*

Condensing Units

Table of Contents

Model Explanation	Page 3
Parts Numbers	
Panels - Miscellaneous (Granite-Steel Gray)	Page 4
Panels - Miscellaneous (Neutra Green)	Page 5
Electrical Group (J Voltage)	Page 6
Electrical Group (C D Y Voltages)	Page 7
Fan Group (J Voltages 018-037)	Page 8
Fan Group (J C Voltages 042-060)	Page 9
Fan Group (D Y Voltages)	Page 10
Coil Parts (J Voltage)	Page 11
Coil Parts (C D Y Voltages)	Page 12
Compressor Group 018-043	Page 13
Compressor Group 048-060	Page 14
Accessories	Page 15
Drawings/Photographs	
Exploded View	Page 16
Control Box Assembly (JAZ JBZ CAZ DAZ YAZ)	Page 17
Control Box Assembly (JEZ)	Page 18
Notes/Disclaimer	Page 19

MODEL NUMBER EXPLANATION

R	A	N	L	-	0	1	8	J	A	Z
(1)	(2)	(3)	(4)			(5)		(6)	(7)	(8)

- | | |
|---|--|
| <p>(1) TRADEBRAND IDENTIFICATION</p> <p>(2) MODEL
A = Condensing Unit</p> <p>(3) TYPE
N = High Efficiency</p> <p>(4) DESIGN SERIES / VARIATION</p> <p>(5) COOLING CAPACITY (BTU/HR)
018 = 18,000
024 = 24,000
030, 031 = 30,000
036, 037 = 36,000
042, 043 = 42,000
048, 049 = 48,000
060 = 60,000</p> | <p>(6) ELECTRICAL DESIGNATION
C = 208-230/3/60
D = 460/3/60
J = 208-230/1/60
Y = 575/3/60</p> <p>(7) VARIATIONS
A = Full Featured
B = Competitive
E = Electronic</p> <p>(8) COMPRESSOR
Z = Sweat w/Scroll</p> |
|---|--|

SERIAL NUMBER EXPLANATION

6	7	6	1	M	2	7	0	4	9	9	9	9	9
(1)				(2)	(3)		(4)		(5)				

- (1) COMPRESSOR IDENTIFICATION NUMBER**
- (2) PRODUCTION LOCATION**
F = Ft. Smith, AR
M = Milledgeville, GA
W = Neuvo Laredo, MX
- (3) WEEK OF PRODUCTION**
- (4) YEAR OF PRODUCTION**
- (5) PRODUCTION NUMBER**

No.	Notes	MODEL COOLING CAPACITY	RANL -018	RANL -024	RANL -030	RANL -031	RANL -036	RANL -037
SHEET METAL PARTS, MISCELLANEOUS (Granite/Steel Gray, After Date Code 4811)								
1		Base Pan	AE-58426-81	AE-58426-82	N/A	AE-58426-82	N/A	AE-58426-83
2		Button Plug	45-22980-07	45-22980-07	N/A	45-22980-07	N/A	45-22980-07
3		Cabinet	AE-100609-82	AE-100609-83	N/A	AE-100609-83	N/A	AE-100609-85
4		Top Panel	AE-100618-81	AE-100618-82	N/A	AE-100618-82	N/A	AE-100618-85
5		Grille	95-100906-01	95-100906-02	N/A	95-100906-02	N/A	95-100906-04
6		Control Box - All models except JEZ	AE-100633-01	AE-100633-01	N/A	AE-100633-01	N/A	AE-100633-01
6	2	Control Box (JEZ Models) - See Note 2	N/A	10-102307-01	N/A	10-102307-01	N/A	10-102307-01
		Control Box Dust Cover - JEZ Models	N/A	10-102360-01	N/A	10-102360-01	N/A	10-102360-01
6a		Capacitor Adapter Plate (2 in. round capacitor)	AE-54609-01	AE-54609-01	N/A	AE-54609-01	N/A	AE-54609-01
6a		Capacitor Adapter Plate (2 in. X 1-1/4 in. oval capacitor)	AE-54609-02	AE-54609-02	N/A	AE-54609-02	N/A	AE-54609-02
6b		Capacitor Strap - Start Capacitor	AE-50892-51	AE-50892-51	N/A	AE-50892-51	N/A	AE-50892-51
7		Access Panel	AE-100617-82	AE-100617-83	N/A	AE-100617-83	N/A	AE-100617-85
8		Service Valve - Suction	61-21368-15	61-21368-15	N/A	61-21368-15	N/A	61-21368-15
9		Service Valve - Liquid	61-21368-13	61-21368-13	N/A	61-21368-13	N/A	61-21368-13
		Touch-up Paint - Granite/Steel Gray (Aerosol)	PD523018	PD523018	N/A	PD523018	N/A	PD523018
		Touch-up Paint - Granite/Steel Gray (Paint Pens)	PD523019	PD523019	N/A	PD523019	N/A	PD523019

No.	Notes	MODEL COOLING CAPACITY	RANL -042	RANL -043	RANL -048	RANL -049	RANL -060
SHEET METAL PARTS, MISCELLANEOUS (Granite/Steel Gray, After Date Code 4811)							
1		Base Pan	N/A	AE-58426-83	N/A	AE-58426-83	AE-58426-83
2		Button Plug	N/A	45-22980-07	N/A	45-22980-07	45-22980-07
3		Cabinet	N/A	AE-100609-85	N/A	AE-100609-88	AE-100609-87
4		Top Panel	N/A	AE-100618-85	N/A	AE-100618-85	AE-100618-85
5		Grille	N/A	95-100906-04	N/A	95-100906-04	95-100906-04
6		Control Box - All models except JEZ	N/A	AE-100633-01	N/A	AE-100633-01	AE-100633-01
6	2	Control Box (JEZ Models) - See Note 2	N/A	10-102307-01	N/A	10-102307-01	10-102307-01
		Control Box Dust Cover - JEZ Models	N/A	10-102360-01	N/A	10-102360-01	10-102360-01
6a		Capacitor Adapter Plate (2 in. round capacitor)	N/A	AE-54609-01	N/A	AE-54609-01	AE-54609-01
6a		Capacitor Adapter Plate (2 in. X 1-1/4 in. oval capacitor)	N/A	AE-54609-02	N/A	AE-54609-02	AE-54609-02
6b		Capacitor Strap - Start Capacitor	N/A	AE-50892-51	N/A	AE-50892-51	AE-50892-51
7		Access Panel	N/A	AE-100617-85	N/A	AE-100617-88	AE-100617-87
8		Service Valve - Suction	N/A	61-21368-16	N/A	61-21368-16	61-21368-16
9		Service Valve - Liquid	N/A	61-21368-13	N/A	61-21368-13	61-21368-13
		Touch-up Paint - Granite/Steel Gray (Aerosol)	N/A	PD523018	N/A	PD523018	PD523018
		Touch-up Paint - Granite/Steel Gray (Paint Pens)	N/A	PD523019	N/A	PD523019	PD523019

No.	Notes	MODEL COOLING CAPACITY	RANL -018	RANL -024	RANL -030	RANL -031	RANL -036	RANL -037
SHEET METAL PARTS, MISCELLANEOUS (Neutra Green, Before Date Code 4811)								
1		Base Pan	AE-58426-01	AE-58426-02	AE-58426-03	AE-58426-02	AE-58426-03	AE-58426-03
2		Button Plug	45-22980-07	45-22980-07	45-22980-07	45-22980-07	45-22980-07	45-22980-07
3		Cabinet	AE-100609-02	AE-100609-03	AE-100609-04	AE-100609-03	AE-100609-06	AE-100609-05
4		Top Panel	AE-100618-01	AE-100618-02	AE-100618-04	AE-100618-02	AE-100618-04	AE-100618-05
5		Grille	95-100906-01	95-100906-02	95-100906-03	95-100906-02	95-100906-03	95-100906-04
6		Control Box - All models except JEZ	AE-100633-01	AE-100633-01	AE-100633-01	AE-100633-01	AE-100633-01	AE-100633-01
6	2	Control Box (JEZ Models) - See Note 2	N/A	10-102307-01	10-102307-01	10-102307-01	10-102307-01	10-102307-01
		Control Box Dust Cover - JEZ Models	N/A	10-102360-01	10-102360-01	10-102360-01	10-102360-01	10-102360-01
6a		Capacitor Adapter Plate (2 in. round capacitor)	AE-54609-01	AE-54609-01	AE-54609-01	AE-54609-01	AE-54609-01	AE-54609-01
6a		Capacitor Adapter Plate (2 in. X 1-1/4 in. oval capacitor)	AE-54609-02	AE-54609-02	AE-54609-02	AE-54609-02	AE-54609-02	AE-54609-02
6b		Capacitor Strap - Start Capacitor	AE-50892-51	AE-50892-51	AE-50892-51	AE-50892-51	AE-50892-51	AE-50892-51
7		Access Panel	AE-100617-02	AE-100617-03	AE-100617-04	AE-100617-03	AE-100617-06	AE-100617-05
8		Service Valve - Suction	61-21368-15	61-21368-15	61-21368-15	61-21368-15	61-21368-16	61-21368-15
9		Service Valve - Liquid	61-21368-13	61-21368-13	61-21368-13	61-21368-13	61-21368-13	61-21368-13
		Touch-up Paint (Aerosol)	52-18662-48	52-18662-48	52-18662-48	52-18662-48	52-18662-48	52-18662-48
		Touch-up Paint (Paint Pens)	523010	523010	523010	523010	523010	523010

No.	Notes	MODEL COOLING CAPACITY	RANL -042	RANL -043	RANL -048	RANL -049	RANL -060	
SHEET METAL PARTS, MISCELLANEOUS (Neutra Green, Before Date Code 4811)								
1		Base Pan	AE-58426-03	AE-58426-03	AE-58426-03	AE-58426-03	AE-58426-03	
2		Button Plug	45-22980-07	45-22980-07	45-22980-07	45-22980-07	45-22980-07	
3		Cabinet	AE-100609-06	AE-100609-05	AE-100609-07	AE-100609-08	AE-100609-07	
4		Top Panel	AE-100618-05	AE-100618-05	AE-100618-05	AE-100618-05	AE-100618-05	
5		Grille	95-100906-04	95-100906-04	95-100906-04	95-100906-04	95-100906-04	
6		Control Box - All models except JEZ	AE-100633-01	AE-100633-01	AE-100633-01	AE-100633-01	AE-100633-01	
6	2	Control Box (JEZ Models) - See Note 2	10-102307-01	10-102307-01	10-102307-01	10-102307-01	10-102307-01	
		Control Box Dust Cover - JEZ Models	10-102360-01	10-102360-01	10-102360-01	10-102360-01	10-102360-01	
6a		Capacitor Adapter Plate (2 in. round capacitor)	AE-54609-01	AE-54609-01	AE-54609-01	AE-54609-01	AE-54609-01	
6a		Capacitor Adapter Plate (2 in. X 1-1/4 in. oval capacitor)	AE-54609-02	AE-54609-02	AE-54609-02	AE-54609-02	AE-54609-02	
6b		Capacitor Strap - Start Capacitor	AE-50892-51	AE-50892-51	AE-50892-51	AE-50892-51	AE-50892-51	
7		Access Panel	AE-100617-06	AE-100617-05	AE-100617-07	AE-100617-08	AE-100617-07	
8		Service Valve - Suction	61-21368-16	61-21368-16	61-21368-16	61-21368-16	61-21368-16	
9		Service Valve - Liquid	61-21368-13	61-21368-13	61-21368-13	61-21368-13	61-21368-13	
		Touch-up Paint (Aerosol)	52-18662-48	52-18662-48	52-18662-48	52-18662-48	52-18662-48	
		Touch-up Paint (Paint Pens)	523010	523010	523010	523010	523010	

No.	Notes	MODEL COOLING CAPACITY ELECTRICAL DESIGNATION	RANL -018 JAZ/JBZ	RANL -024 JAZ/JBZ	RANL -030 JAZ/JBZ	RANL -031 JAZ	RANL -036 JAZ/JBZ	RANL -037 JAZ
ELECTRICAL GROUP								
CONTROL BOX COMPONENTS:								
10	Stk	Contactora	42-42728-02	42-42728-02	42-42728-02	42-42728-02	42-42728-02	42-42728-02
11		Capacitor - Fan Motor/Compressor	See Compressor Group					
12		Start Relay	See Compressor Group					
13		Capacitor - Compressor Start	See Compressor Group					
		High/Low Pressure Controls	See Coil Group					

No.	Notes	MODEL COOLING CAPACITY ELECTRICAL DESIGNATION	RANL -042 JAZ/JBZ	RANL -043 JAZ	RANL -048 JAZ/JBZ	RANL -049 JAZ	RANL -060 JAZ/JBZ
ELECTRICAL GROUP							
CONTROL BOX COMPONENTS:							
10	Stk	Contactora	42-42728-02	42-42728-02	42-42728-02	42-42728-02	42-42478-02
11		Capacitor - Fan Motor/Compressor	See Compressor Group				
12		Start Relay	See Compressor Group				
13		Capacitor - Compressor Start	See Compressor Group				
		High/Low Pressure Controls	See Coil Group				

No.	Notes	MODEL COOLING CAPACITY ELECTRICAL DESIGNATION	RANL -024 JEZ	RANL -030 JEZ	RANL -031 JEZ	RANL -036 JEZ	RANL -037 JEZ	RANL -042 JEZ
ELECTRICAL GROUP								
CONTROL BOX COMPONENTS:								
11		Capacitor - Fan Motor/Compressor	See Compressor Group					
12		Start Relay	See Compressor Group					
13		Capacitor - Compressor Start	See Compressor Group					
14	Stk	Control Board	47-102090-01	47-102090-01	47-102090-01	47-102090-01	47-102090-01	47-102090-01
		High/Low Pressure Controls	See Coil Group					
		Wiring Harness - Fan Motor	See Fan Group					
2		Wiring Harnesses	See Note 2					

No.	Notes	MODEL COOLING CAPACITY ELECTRICAL DESIGNATION	RANL -043 JEZ	RANL -048 JEZ	RANL -049 JEZ	RANL -060 JEZ
ELECTRICAL GROUP						
CONTROL BOX COMPONENTS:						
11		Capacitor - Fan Motor/Compressor	See Compressor Group			
12		Start Relay	See Compressor Group			
13		Capacitor - Compressor Start	See Compressor Group			
14	Stk	Control Board	47-102090-01	47-102090-01	47-102090-01	47-102090-01
		High/Low Pressure Controls	See Coil Group			
		Wiring Harness - Fan Motor	See Fan Group			
2		Wiring Harnesses	See Note 2			

No.	Notes	MODEL COOLING CAPACITY ELECTRICAL DESIGNATION	RANL -036 CAZ	RANL -037 CAZ	RANL -042 CAZ	RANL -043 CAZ	RANL -048 CAZ	RANL -049 CAZ	RANL -060 CAZ
ELECTRICAL GROUP									
CONTROL BOX COMPONENTS:									
10	Stk	Contactator	42-22464-01	42-22464-01	42-22464-01	42-22464-01	42-22464-01	42-22464-01	42-22464-03
11		Capacitor - Fan Motor	See Fan Group						
12		Start Relay	N/A	N/A	N/A	N/A	N/A	N/A	N/A
13		Capacitor - Compressor Start	N/A	N/A	N/A	N/A	N/A	N/A	N/A
		High/Low Pressure Controls	See Coil Group						

No.	Notes	MODEL COOLING CAPACITY ELECTRICAL DESIGNATION	RANL -036 DAZ	RANL -037 DAZ	RANL -042 DAZ	RANL -043 DAZ	RANL -048 DAZ	RANL -049 DAZ	RANL -060 DAZ
ELECTRICAL GROUP									
CONTROL BOX COMPONENTS:									
10	Stk	Contactator	42-22464-01	42-22464-01	42-22464-01	42-22464-01	42-22464-01	42-22464-01	42-22464-03
11		Capacitor - Fan Motor	See Fan Group						
12		Start Relay	N/A	N/A	N/A	N/A	N/A	N/A	N/A
13		Capacitor - Compressor Start	N/A	N/A	N/A	N/A	N/A	N/A	N/A
		High/Low Pressure Controls	See Coil Group						

No.	Notes	MODEL COOLING CAPACITY ELECTRICAL DESIGNATION	RANL -048 YAZ	RANL -049 YAZ	RANL -060 YAZ				
ELECTRICAL GROUP									
CONTROL BOX COMPONENTS:									
10	Stk	Contactator	42-22464-01	42-22464-01	42-22464-03				
11		Capacitor - Fan Motor	See Fan Group						
12		Start Relay	N/A	N/A	N/A				
13		Capacitor - Compressor Start	N/A	N/A	N/A				
		High/Low Pressure Controls	See Coil Group						

No.	Notes	MODEL COOLING CAPACITY ELECTRICAL DESIGNATION	RANL -018 J	RANL -024 J	RANL -030 J	RANL -031 J	RANL -036 J	RANL -037 J
FAN GROUP								
15	Stk	Fan Motor - Before Date Code 2112	51-101774-04		51-101774-02		51-101774-02	51-102008-07
15	Stk	Fan Motor - On or After Date Code 2112	51-101774-20		51-101774-02		51-101774-02	51-102008-07
11	Stk	Capacitor - Compressor/Fan (2 inch diameter)	43-26261-40	See Below	43-101665-09	See Below	43-26271-41	43-26271-48
11	Stk	Capacitor - Compressor/Fan (2-1/2 inch diameter)	N/A		N/A		N/A	43-101665-48
16	Stk	Fan Blade - Before Date Code 2112	70-102011-05		70-100580-07		70-100580-07	70-100580-04
16	Stk	Fan Blade - On or After Date Code 2112	70-102011-21		70-100580-07		70-100580-07	70-100580-04
	2	Wiring Harness - Fan Motor (JEZ models only) - See Note 2	N/A		45-102120-01		45-102120-01	45-102120-01

No.	Notes	MODEL COOLING CAPACITY ELECTRICAL DESIGNATION	RANL -024 J	RANL -031 J			
FAN GROUP (before Date Code F3713, W1413)							
15	Stk	Fan Motor	51-101774-04	51-101774-04			
11	Stk	Capacitor - Compressor/Fan (2 inch diameter, 40/5/370)	43-101665-09	43-101665-09			
16	Stk	Fan Blade (3 blade)	70-100580-06	70-100580-06			
	2	Wiring Harness - Fan Motor (JEZ models only) - See Note 2	45-102120-01	45-102120-01			
FAN GROUP (On or After Date Code: F3713, W1413)							
After this date, different fan, motor and capacitor combinations may have been used interchangeably in production. If replacement of any component is required, all three parts should be replaced. For further information - See Note 3							
15	Stk,3	Fan Motor	51-104691-01	51-104691-01			
11	3	Capacitor - Compressor/Fan (2 inch diameter, 40/3/370)	43-101665-07	43-101665-07			
16	Stk,3	Fan Blade (2 blade)	70-101323-02	70-101323-02			

No.	Notes	MODEL COOLING CAPACITY ELECTRICAL DESIGNATION	RANL	RANL	RANL	RANL	RANL	
			-042 J	-043 J	-048 J	-049 J	-060 J	
FAN GROUP								
15	Stk	Fan Motor	51-102008-03	51-102008-07	51-102008-03	51-102008-07	51-102008-03	
11		Capacitor - Compressor/Fan Motor	See Compressor Group					
16	Stk,1	Fan Blade - See Note 1	70-100580-04	70-100580-04	70-100580-04	70-100580-04	70-100580-04	
16	1	Fan Blade - See Note 1	70-102011-04	N/A	70-102011-04	N/A	70-102011-04	
	2	Wiring Harness - Fan Motor (JEZ models only) - See Note 2	45-102120-01	45-102120-01	45-102120-01	45-102120-01	45-102120-01	

No.	Notes	MODEL COOLING CAPACITY ELECTRICAL DESIGNATION	RANL	RANL	RANL	RANL	RANL	RANL
			-036 C	-037 C	-042 C	-043 C	-048 C	-049 C
FAN GROUP								
15	Stk	Fan Motor	51-101774-02	51-102008-07	51-102008-03	51-102008-07	51-102008-03	51-102008-07
11	Stk	Capacitor - Fan Motor	43-100496-04	43-100496-12	43-100496-12	43-100496-12	43-100496-12	43-100496-12
16	Stk,1	Fan Blade - See Note 1	70-100580-07	70-100580-04	70-100580-04	70-100580-04	70-100580-04	70-100580-04
16	1	Fan Blade - See Note 1	N/A	N/A	70-102011-04	N/A	70-102011-04	N/A

No.	Notes	MODEL COOLING CAPACITY ELECTRICAL DESIGNATION	RANL					
			-060 C					
FAN GROUP								
15	Stk	Fan Motor	51-102008-03					
11	Stk	Capacitor - Fan Motor	43-100496-12					
16	Stk,1	Fan Blade - See Note 1	70-100580-04					
16	1	Fan Blade - See Note 1	70-102011-04					

No.	Notes	MODEL COOLING CAPACITY ELECTRICAL DESIGNATION	RANL -036 D	RANL -037 D	RANL -042 D	RANL -043 D	RANL -048 D
FAN GROUP							
15	Stk	Fan Motor	51-101774-06	51-101774-05	51-101774-05	51-101774-05	51-101774-05
11	Stk	Capacitor - Fan Motor	43-100496-04	43-100496-04	43-100496-04	43-100496-04	43-100496-04
16	Stk,1	Fan Blade - See Note 1	70-100580-07	70-100580-04	70-100580-04	70-100580-04	70-100580-04
16	1	Fan Blade - See Note 1	N/A	N/A	70-102011-04	N/A	70-102011-04

No.	Notes	MODEL COOLING CAPACITY ELECTRICAL DESIGNATION	RANL -049 D	RANL -060 D			
FAN GROUP							
15	Stk	Fan Motor	51-101774-05	51-101774-05			
11	Stk	Capacitor - Fan Motor	43-100496-04	43-100496-04			
16	Stk,1	Fan Blade - See Note 1	70-100580-04	70-100580-04			
16	1	Fan Blade - See Note 1	N/A	70-102011-04			

No.	Notes	MODEL COOLING CAPACITY ELECTRICAL DESIGNATION	RANL -048 Y	RANL -049 Y	RANL -060 Y		
FAN GROUP							
15	Stk	Fan Motor	51-101774-10	51-101774-10	51-101774-10		
11	Stk	Capacitor - Fan Motor	43-100496-04	43-100496-04	43-100496-04		
16	Stk,1	Fan Blade - See Note 1	70-100580-04	70-100580-04	70-100580-04		
16	1	Fan Blade - See Note 1	70-102011-04	N/A	70-102011-04		

No.	Notes	MODEL COOLING CAPACITY ELECTRICAL DESIGNATION	RANL -018 JAZ/JBZ	RANL -024 JAZ/JBZ	RANL -030 JAZ/JBZ	RANL -031 JAZ	RANL -036 JAZ/JBZ	RANL -037 JAZ
COIL GROUP								
17	Stk	Condenser Coil	AS-102136-03	AS-102135-03	AS-59388-03	AS-102135-03	AS-101903-03	AS-100420-03
	Stk	Filter Drier	83-26186-01	83-26186-01	83-26186-01	83-22755-06	83-26186-01	83-22755-06
	Stk	High Pressure Control (Straight with 1/4 inch connection) - before W0311	47-26184-01	47-26184-01	47-26184-01	47-26184-01	47-26184-01	47-26184-01
	Stk	High Pressure Control (90 Deg Elbow with 1/4 inch connection) - after W0311	47-103669-01	47-103669-01	47-103669-01	47-103669-01	47-103669-01	47-103669-01
	Stk	Low Pressure Control (90 Deg Elbow with 5/16 inch connection) - before W0311	47-26185-02	47-26185-02	47-26185-02	47-26185-02	47-26185-02	47-26185-02
	Stk	Low Pressure Control (90 Deg Elbow with 1/4 inch connection) - after W0311	47-103670-01	47-103670-01	47-103670-01	47-103670-01	47-103670-01	47-103670-01

No.	Notes	MODEL COOLING CAPACITY ELECTRICAL DESIGNATION	RANL -024 JEZ	RANL -030 JEZ	RANL -031 JEZ	RANL -036 JEZ	RANL -037 JEZ	RANL -042 JEZ
COIL GROUP								
17	Stk	Condenser Coil	AS-102135-03	AS-59388-03	AS-102135-03	AS-101903-03	AS-100420-03	AS-101903-03
	Stk	Filter Drier	83-26186-01	83-26186-01	83-22755-06	83-26186-01	83-22755-06	83-26186-01
	Stk	High Pressure Control (Straight with 1/4 inch connection) - before W0311	47-26184-01	47-26184-01	47-26184-01	47-26184-01	47-26184-01	47-26184-01
	Stk	High Pressure Control (90 Deg Elbow with 1/4 inch connection) - after W0311	47-103669-01	47-103669-01	47-103669-01	47-103669-01	47-103669-01	47-103669-01
	Stk	Low Pressure Control (90 Deg Elbow with 5/16 inch connection) - before W0311	47-101529-04	47-101529-04	47-101529-04	47-101529-04	47-101529-04	N/A
	Stk	Low Pressure Control (90 Deg Elbow with 1/4 inch connection) - after W0311	47-103670-02	47-103670-02	47-103670-02	47-103670-02	47-103670-02	N/A
	Stk	Low Pressure Control (90 Deg Elbow with 5/16 inch connection)	N/A	N/A	N/A	N/A	N/A	47-101529-04

No.	Notes	MODEL COOLING CAPACITY ELECTRICAL DESIGNATION	RANL -042 JAZ/JBZ	RANL -043 JAZ	RANL -048 JAZ/JBZ	RANL -049 JAZ	RANL -060 JAZ/JBZ	
COIL GROUP								
17	Stk	Condenser Coil	AS-101903-03	AS-100420-03	AS-101959-03	AS-102432-03	AS-101959-03	
	Stk	Filter Drier	83-26186-01	83-22755-06	83-26186-01	83-22755-06	83-26186-01	
	Stk	High Pressure Control (Straight with 1/4 inch connection) - before W0311	47-26184-01	47-26184-01	47-26184-01	47-26184-01	47-26184-01	
	Stk	High Pressure Control (90 Deg Elbow with 1/4 inch connection) - after W0311	47-103669-01	47-103669-01	47-103669-01	47-103669-01	47-103669-01	
	Stk	Low Pressure Control (90 Deg Elbow with 5/16 inch connection) - before W0311	47-26185-02	47-26185-02	47-26185-02	47-26185-02	47-26185-02	
	Stk	Low Pressure Control (90 Deg Elbow with 1/4 inch connection) - after W0311	47-103670-01	47-103670-01	47-103670-01	47-103670-01	47-103670-01	

No.	Notes	MODEL COOLING CAPACITY ELECTRICAL DESIGNATION	RANL -043 JEZ	RANL -048 JEZ	RANL -049 JEZ	RANL -060 JEZ		
COIL GROUP								
17	Stk	Condenser Coil	AS-100420-03	AS-101959-03	AS-102432-03	AS-101959-03		
	Stk	Filter Drier	83-22755-06	83-26186-01	83-22755-06	83-26186-01		
	Stk	High Pressure Control (Straight with 1/4 inch connection) - before W0311	47-26184-01	47-26184-01	47-26184-01	47-26184-01		
	Stk	High Pressure Control (90 Deg Elbow with 1/4 inch connection) - after W0311	47-103669-01	47-103669-01	47-103669-01	47-103669-01		
	Stk	Low Pressure Control (90 Deg Elbow with 5/16 inch connection) - before W0311	47-101529-04	47-101529-04	47-101529-04	47-101529-04		
	Stk	Low Pressure Control (90 Deg Elbow with 1/4 inch connection) - after W0311	47-103670-02	47-103670-02	47-103670-02	47-103670-02		

No.	Notes	MODEL COOLING CAPACITY ELECTRICAL DESIGNATION	RANL -036 CAZ/DAZ	RANL -037 CAZ/DAZ	RANL -042 CAZ/DAZ	RANL -043 CAZ/DAZ	RANL -048 CAZ/DAZ	RANL -049 CAZ/DAZ
COIL GROUP								
17	Stk	Condenser Coil	AS-101903-03	AS-100420-03	AS-101903-03	AS-100420-03	AS-101959-03	AS-102432-03
	Stk	Filter Drier	83-26186-01	83-22755-06	83-26186-01	83-22755-06	83-26186-01	83-22755-06
	Stk	High Pressure Control (Straight with 1/4 inch connection) - before W0311	47-26184-01	47-26184-01	47-26184-01	47-26184-01	47-26184-01	47-26184-01
	Stk	High Pressure Control (90 Deg Elbow with 1/4 inch connection) - after W0311	47-103669-01	47-103669-01	47-103669-01	47-103669-01	47-103669-01	47-103669-01
	Stk	Low Pressure Control (90 Deg Elbow with 5/16 inch connection) - before W0311	47-26185-02	47-26185-02	47-26185-02	47-26185-02	47-26185-02	47-26185-02
	Stk	Low Pressure Control (90 Deg Elbow with 1/4 inch connection) - after W0311	47-103670-01	47-103670-01	47-103670-01	47-103670-01	47-103670-01	47-103670-01

No.	Notes	MODEL COOLING CAPACITY ELECTRICAL DESIGNATION	RANL -060 CAZ/DAZ	RANL -048 YAZ	RANL -049 YAZ	RANL -060 YAZ		
COIL GROUP								
17	Stk	Condenser Coil	AS-101959-03	AS-101959-03	AS-102432-03	AS-101959-03		
	Stk	Filter Drier	83-26186-01	83-26186-01	83-22755-06	83-26186-01		
	Stk	High Pressure Control (Straight with 1/4 inch connection) - before W0311	47-26184-01	47-26184-01	47-26184-01	47-26184-01		
	Stk	High Pressure Control (90 Deg Elbow with 1/4 inch connection) - after W0311	47-103669-01	47-103669-01	47-103669-01	47-103669-01		
	Stk	Low Pressure Control (90 Deg Elbow with 5/16 inch connection) - before W0311	47-26185-02	47-26185-02	47-26185-02	47-26185-02		
	Stk	Low Pressure Control (90 Deg Elbow with 1/4 inch connection) - after W0311	47-103670-01	47-103670-01	47-103670-01	47-103670-01		

No.	Notes	MODEL COOLING CAPACITY ELECTRICAL DESIGNATION	RANL -018 J	RANL -024 J	RANL -030 J	RANL -031 J
COMPRESSOR GROUP						
		Compressor ID:	7384	7385	7386	7839
18	Stk	Compressor	55-102045-14S	55-102045-01S	55-102045-02S	55-102045-02S
	Stk	Compressor Wiring Harness (Molded Plug) - All models except JEZ	45-100834-80	45-100834-80	45-100834-80	45-100834-80
	Stk,2	Compressor Wiring Harness (Molded Plug) - JEZ - See Note 2	N/A	45-100834-08	45-100834-08	45-100834-08
11	Stk,4	Capacitor - Compressor/Fan	See Fan Group	See Note 4	See Fan Group	See Note 4
12	Stk	Start Relay	42-18282-09	42-18282-09	42-18282-09	42-18282-09
13	Stk	Start Capacitor	43-17075-04	43-17075-04	43-17075-04	43-17075-04
		Sound Enclosure	N/A	68-23427-21	68-23427-21	68-23427-21

No.	Notes	MODEL COOLING CAPACITY ELECTRICAL DESIGNATION	RANL -036 J	RANL -037 J	RANL -042 J	RANL -043 J
COMPRESSOR GROUP						
		Compressor ID:	7387	7840	7388	7841
18	Stk	Compressor	55-102045-15S	55-102045-15S	55-102045-12S	55-102045-17S
	Stk	Compressor Wiring Harness (Molded Plug) - All models except JEZ	45-100834-80	45-100834-80	45-100834-80	45-100834-80
	Stk,2	Compressor Wiring Harness (Molded Plug) - JEZ - See Note 2	45-100834-08	45-100834-08	45-100834-08	45-100834-08
11	Stk	Capacitor - Compressor/Fan (2 inch diameter)	See Fan Group		43-26261-48	43-26261-48
11	Stk	Capacitor - Compressor/Fan (2-1/2 inch diameter)			43-101665-48	43-101665-48
12	Stk	Start Relay	42-18282-09	42-18282-09	42-18282-09	42-18282-09
13	Stk	Start Capacitor	43-17075-04	43-17075-04	43-17075-04	43-17075-04
		Sound Enclosure	68-23427-20	68-23427-20	68-23427-20	68-23427-20

No.	Notes	MODEL COOLING CAPACITY ELECTRICAL DESIGNATION	RANL -036 C	RANL -037 C	RANL -042 C	RANL -043 C
COMPRESSOR GROUP						
		Compressor ID:	7391	7843	7392	7844
18	Stk	Compressor	55-102045-19S	55-102045-19S	55-102045-16S	55-102045-21S
	Stk	Compressor Wiring Harness (Molded Plug)	45-100834-80	45-100834-80	45-100834-80	45-100834-80

No.	Notes	MODEL COOLING CAPACITY ELECTRICAL DESIGNATION	RANL -036 D	RANL -037 D	RANL -042 D	RANL -043 D
COMPRESSOR GROUP						
		Compressor ID:	7395	7846	7396	7847
18	Stk	Compressor	55-102045-18S	55-102045-18S	55-102045-25S	55-102045-20S
	Stk	Compressor Wiring Harness (Molded Plug)	45-100834-80	45-100834-80	45-100834-80	45-100834-80

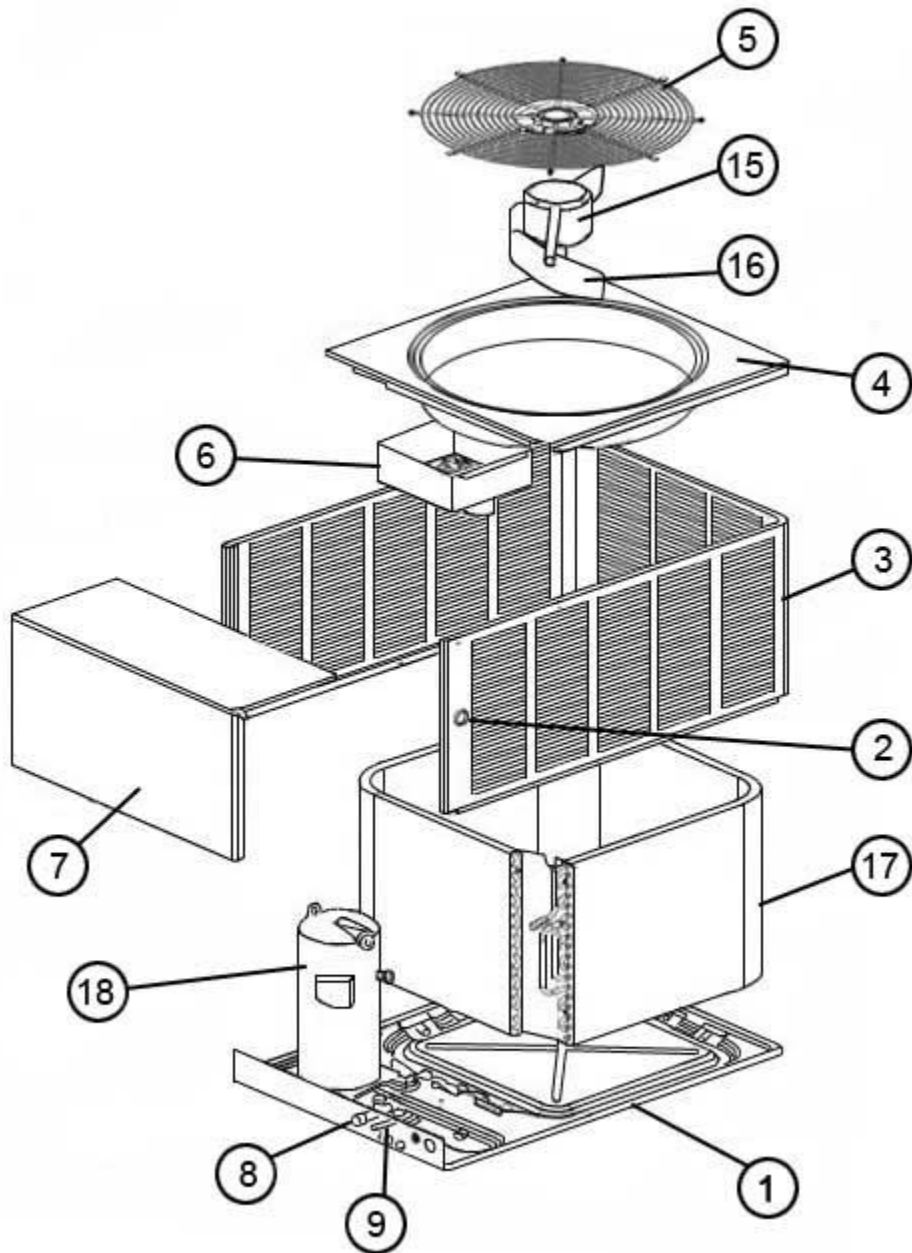
No.	Notes	MODEL COOLING CAPACITY ELECTRICAL DESIGNATION	RANL -048 J	RANL -049 J	RANL -060 J
COMPRESSOR GROUP					
		Compressor ID:	7389	7842	7390
18	Stk	Compressor	55-102045-09S	55-102045-09S	55-102045-13S
	Stk	Compressor Wiring Harness (Molded Plug) - All models except JEZ	45-100834-80	45-100834-80	45-100834-80
	Stk,2	Compressor Wiring Harness (Molded Plug) - JEZ - See Note 2	45-100834-08	45-100834-08	45-100834-08
11	Stk	Capacitor - Compressor/Fan	43-26271-47	43-26271-47	43-26271-30
12	Stk	Start Relay	42-18282-09	42-18282-09	42-18282-09
13	Stk	Start Capacitor	43-17075-04	43-17075-04	43-17075-04
		Sound Enclosure	68-23427-20	68-23427-20	68-23427-20

No.	Notes	MODEL COOLING CAPACITY ELECTRICAL DESIGNATION	RANL -048 C	RANL -049 C	RANL -060 C
COMPRESSOR GROUP					
		Compressor ID:	7393	7845	7394
18	Stk	Compressor	55-102045-11S	55-102045-11S	55-102045-22S
	Stk	Compressor Wiring Harness (Molded Plug)	45-100834-80	45-100834-80	45-100834-80
	Stk	Crankcase Heater	N/A	N/A	44-101884-05

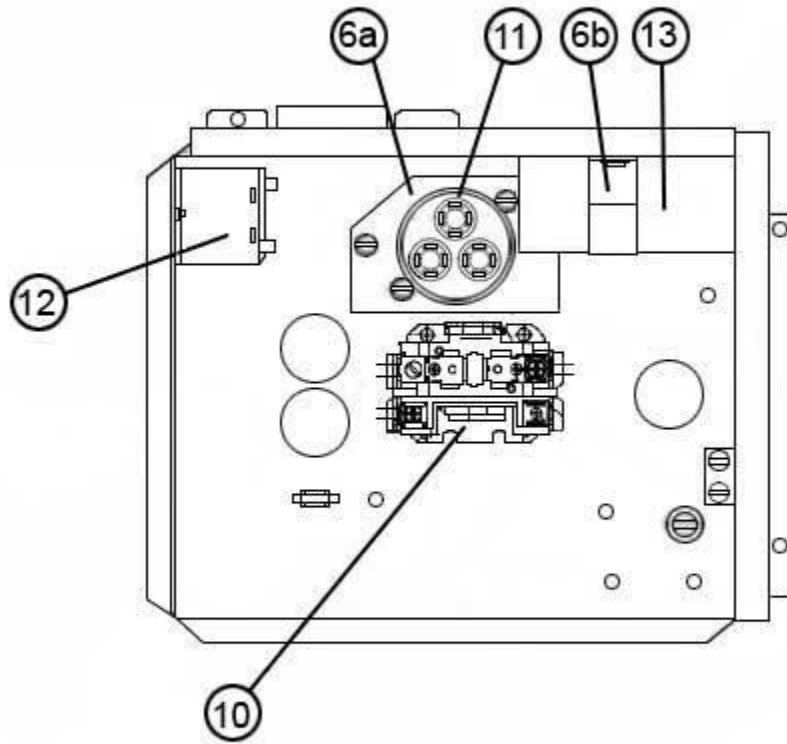
No.	Notes	MODEL COOLING CAPACITY ELECTRICAL DESIGNATION	RANL -048 D	RANL -049 D	RANL -060 D
COMPRESSOR GROUP					
		Compressor ID:	7397	7848	7398
18	Stk	Compressor	55-102045-10S	55-102045-10S	55-102045-23S
	Stk	Compressor Wiring Harness (Molded Plug)	45-100834-80	45-100834-80	45-100834-80
	Stk	Crankcase Heater	N/A	N/A	44-101884-06

No.	Notes	MODEL COOLING CAPACITY ELECTRICAL DESIGNATION	RANL -048 Y	RANL -049 Y	RANL -060 Y
COMPRESSOR GROUP					
		Compressor ID:	7399	7849	7400
18	Stk	Compressor	55-102045-29S	55-102045-29S	55-102045-30S
	Stk	Compressor Wiring Harness (Molded Plug)	45-100834-80	45-100834-80	45-100834-80
	Stk	Crankcase Heater	N/A	N/A	44-101884-07

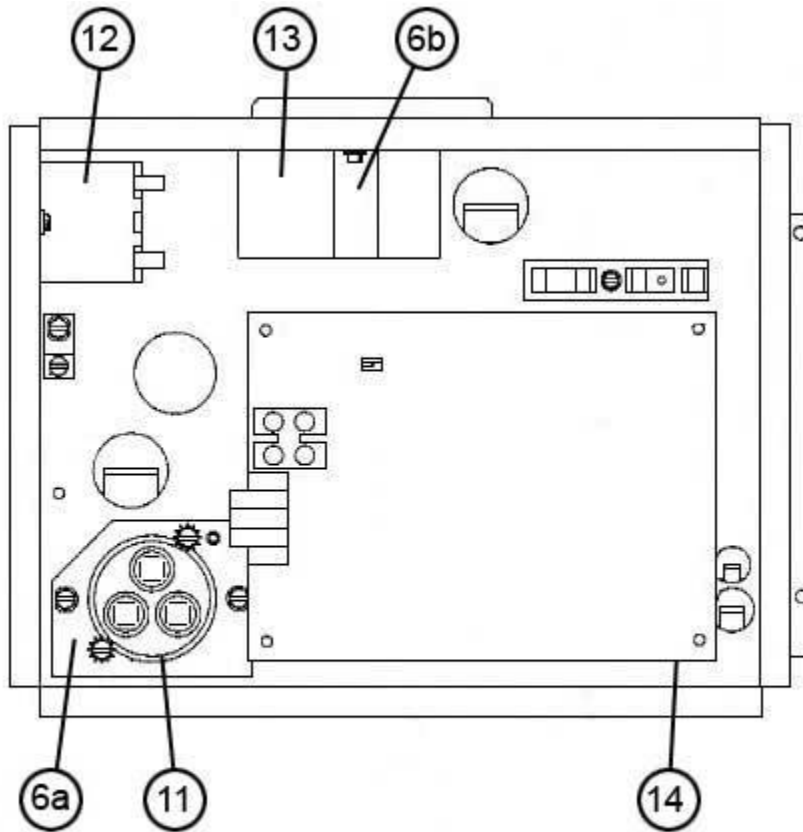
No.	Notes	MODEL VARIATIONS	RANL ALL
ACCESSORIES			
		Low Ambient Control	RXAD-A07
		Compressor Time Delay	RXMD-B01



Exploded View



Control Box Assembly (JAZ JBZ CAZ DAZ YAZ)



Control Box Assembly (JEZ)

NOTES

Stk It is recommended that stock be maintained for this part.

N/A Not Applicable

- 1 70-100580-04 is a 3-blade design, and 70-102011-04 is a 2-blade design. The replacement fan blades are interchangeable on the listed units, and either may be used for replacement.
- 2 Wiring Harnesses not listed individually are included with the JEZ model Control Box (item 6).
- 3 Only specific combination's of fan motor/fan blade/capacitor can be used. Interchanging component's can cause overheating, noise, or improper unit operation.
Other combinations used in production after F3713, W1413 are as follows:

Motor 51-104692-01
Fan Blade 70-101323-02 (2 blade)
Capacitor 43-101665-07 (40/3/370)

Motor 51-101774-04
Fan Blade 70-102011-06 (3 blade)
Capacitor 43-101665-09 (40/5/370)

- 4 To determine the compressor run capacitor, the required capacitance for the fan motor must be determined as follows:
For 3 uF fan motor, use 43-101665-07 (40/3/370)
For 5 uF fan motor, use 43-101665-09 (40/5/370)

DISCLAIMER: This document is intended to provide general replacement parts information to aid qualified service personnel in the repair of these models. The complete Model and Serial Number of the unit under repair should be specified when selecting and ordering replacement parts. Specifications and illustrations are subject to change without notice. Document 92-42800-RANL supersedes all previous parts lists for these models. See <http://www.rheempartslists.net/92-42800-RANL> for the latest revision of this document. The manufacturer assumes no obligation for errors or omissions. Service personnel must verify the proper and safe operation of equipment after the replacement of any original components.