



SPLIT-TYPE AIR CONDITIONERS

## OUTDOOR UNIT

**Revision A:**

- Part No. of TERMINAL BLOCK for **MUZ-JP09/12WA-U1** has been corrected.  
OBB821 is void.

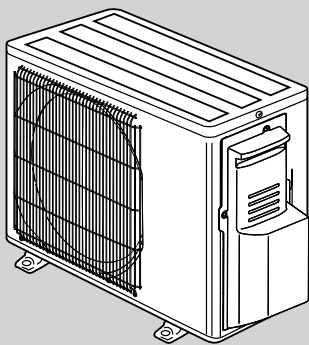
**No. OBB821**  
REVISED EDITION-A

# PARTS CATALOG

### Models

**MUZ-JP09WA** - U1

**MUZ-JP12WA** - U1



**MUZ-JP09WA**

### CONTENTS

- 1. SERVICE PARTS LIST ..... 2
- 2. OPTIONAL PARTS ..... 6

**SERVICE MANUAL (OBH821)**

**Revision A:**

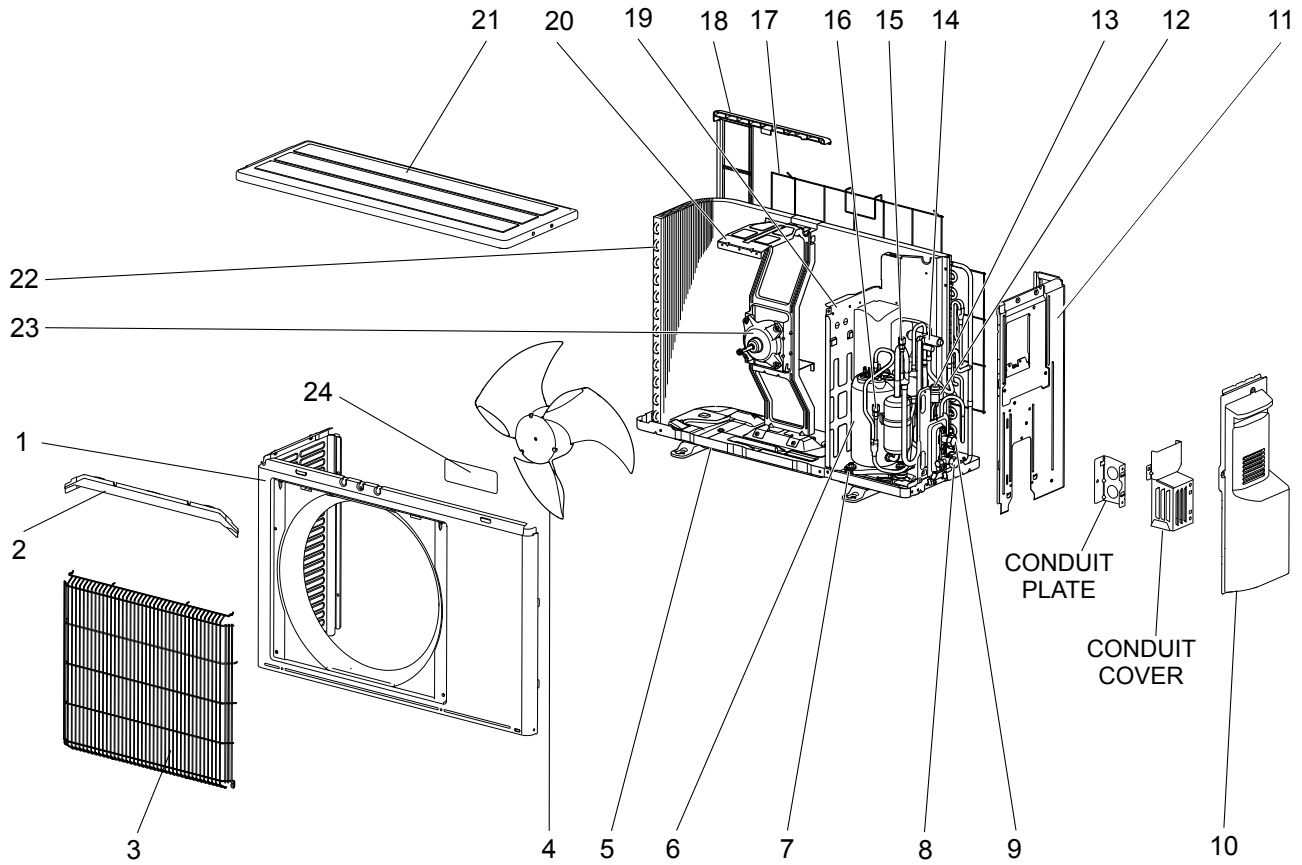
• Part No. of TERMINAL BLOCK for **MUZ-JP09/12WA-U1** has been corrected.

**1**

**SERVICE PARTS LIST**

**MUZ-JP09WA MUZ-JP12WA**

**1-1. OUTDOOR UNIT STRUCTURAL PARTS AND FUNCTIONAL PARTS**



## MUZ-JP09WA MUZ-JP12WA

### 1-1. OUTDOOR UNIT STRUCTURAL PARTS AND FUNCTIONAL PARTS

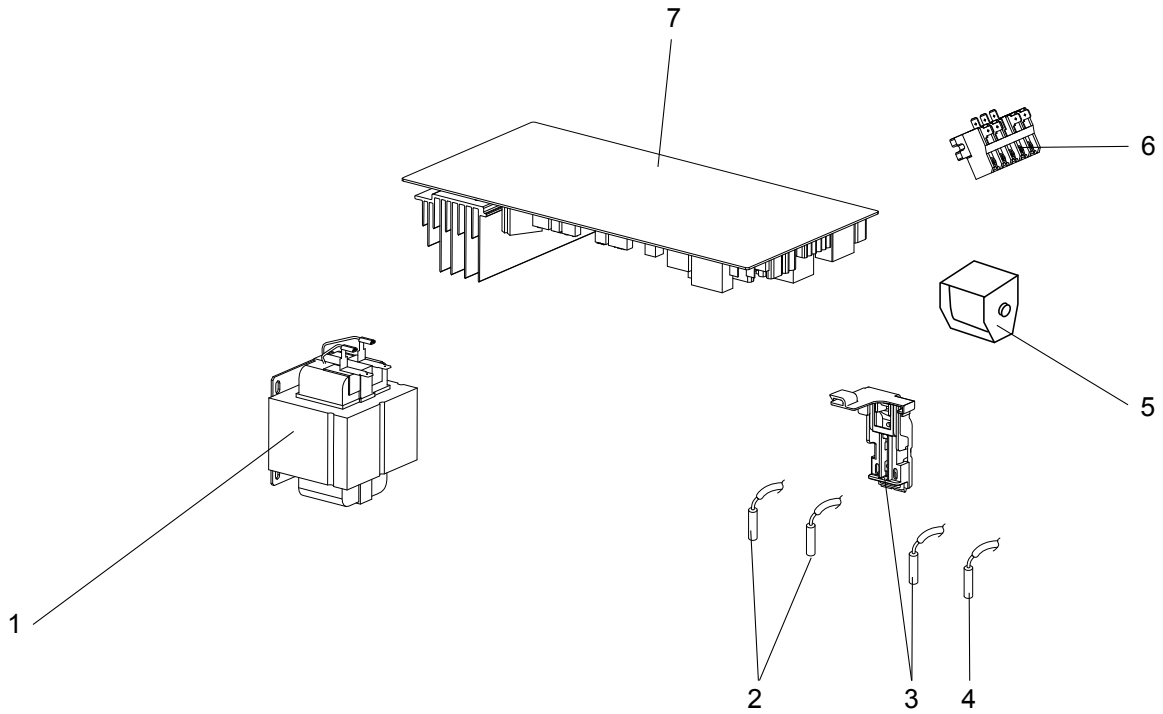
Part number that is circled is not shown in the illustration.

No.	Part No.	Part name	Symbol in Wiring Diagram	Q'ty/unit		Remarks
				MUZ-JP		
				09WA	12WA	
1	U01 A01 232	CABINET		1	1	
2	U01 A01 531	ICE GUARD		1	1	
3	U01 A02 521	GRILLE		1	1	
4	U01 A01 501	PROPELLER FAN		1	1	
5	U01 A02 290	BASE		1	1	
6	U01 A07 900	COMPRESSOR (KNB073FRXMC)	MC	1	1	KNB073FRXMC
7	U01 A01 506	COMPRESSOR RUBBER SET		3	3	3RUBBERS/SET
8	U01 A01 661	STOP VALVE (GAS)		1	1	ø3/8 (ø9.52)
9	U01 A01 662	STOP VALVE (LIQUID)		1	1	ø1/4 (ø6.35)
10	U01 A01 245	SERVICE PANEL		1	1	
11	U01 A01 233	BACK PANEL		1	1	
12	U01 A01 493	EXPANSION VALVE COIL	LEV	1	1	
13	U01 001 401	EXPANSION VALVE		1	1	
14	U01 A04 961	4-WAY VALVE		1	1	
15	U01 A01 641	SERVICE PORT (L)		1	1	1PC/SET
16	U01 A02 641	SERVICE PORT (H)		1	1	
17	U01 A02 525	CONDENSER WIRE NET		1	1	
18	U01 A03 525	CONDENSER NET		1	1	
19	U01 A06 293	SEPARATOR		1	1	
20	U01 A02 515	MOTOR SUPPORT		1	1	
21	U01 A01 297	TOP PANEL		1	1	
22	U01 A06 630	OUTDOOR HEAT EXCHANGER		1	1	
23	U01 A03 301	OUTDOOR FAN MOTOR	MF	1	1	RC0J55-□□
24	U01 M01 987	BRAND LABEL		1	1	
②5	U01 A05 936	CAPILLARY TUBE		1	1	O.D. 0.118 × I.D. 0.055 × 10-1/4 (ø3.0 × ø1.4 × 260)

# SERVICE PARTS LIST

MUZ-JP09WA MUZ-JP12WA

## 1-2. OUTDOOR UNIT ELECTRICAL PARTS



**MUZ-JP09WA MUZ-JP12WA**

**1-2. OUTDOOR UNIT ELECTRICAL PARTS**

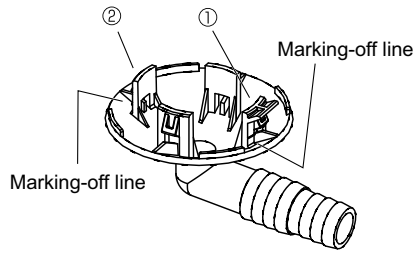
No.	Part No.	Part name	Symbol in Wiring Diagram	Q'ty/unit		Remarks
				MUZ-JP		
				09WA	12WA	
1	U01 A05 337	REACTOR	L61	1	1	
2	U01 A01 306	THERMISTOR SET	RT61, RT62	1	1	DEFROST, DISCHARGE
3	U01 A06 308	AMBIENT TEMPERATURE THERMISTOR ASSEMBLY	RT65	1	1	
4	U01 A05 307	OUTDOOR HEAT EXC.TEMP THERMISTOR	RT68	1	1	
5	U01 A02 490	R.V. COIL	21S4	1	1	
6	U01 A03 374	TERMINAL BLOCK	TB	1	1	5P
7	U01 A34 451	INVERTER P.C. BOARD		1		Including heat sink and RT64
	U01 A35 451				1	

# 2

# OPTIONAL PARTS

## 2-1. DRAIN SOCKET

Model	Parts No.
MUZ-JP09WA MUZ-JP12WA	MAC-860DS



### Installing a Drain Socket

For  $\Phi$  1-5/8 ( $\Phi$  42) hole  
Put the tab ① in the hole first,  
and then the tab ②.

# MITSUBISHI ELECTRIC CORPORATION

HEAD OFFICE: TOKYO BUILDING, 2-7-3, MARUNOUCHI, CHIYODA-KU, TOKYO 100-8310, JAPAN

© Copyright 2018 MITSUBISHI ELECTRIC CORPORATION  
Issued: Jan. 2019. No. OBB821 REVISED EDITION-A  
Published: Nov. 2018. No. OBB821  
Made in Japan

Specifications are subject to change without notice.