

REPAIR PARTS

GSZ14 R-410A Remote Heat Pumps

GSZ140181AA

GSZ140241AA

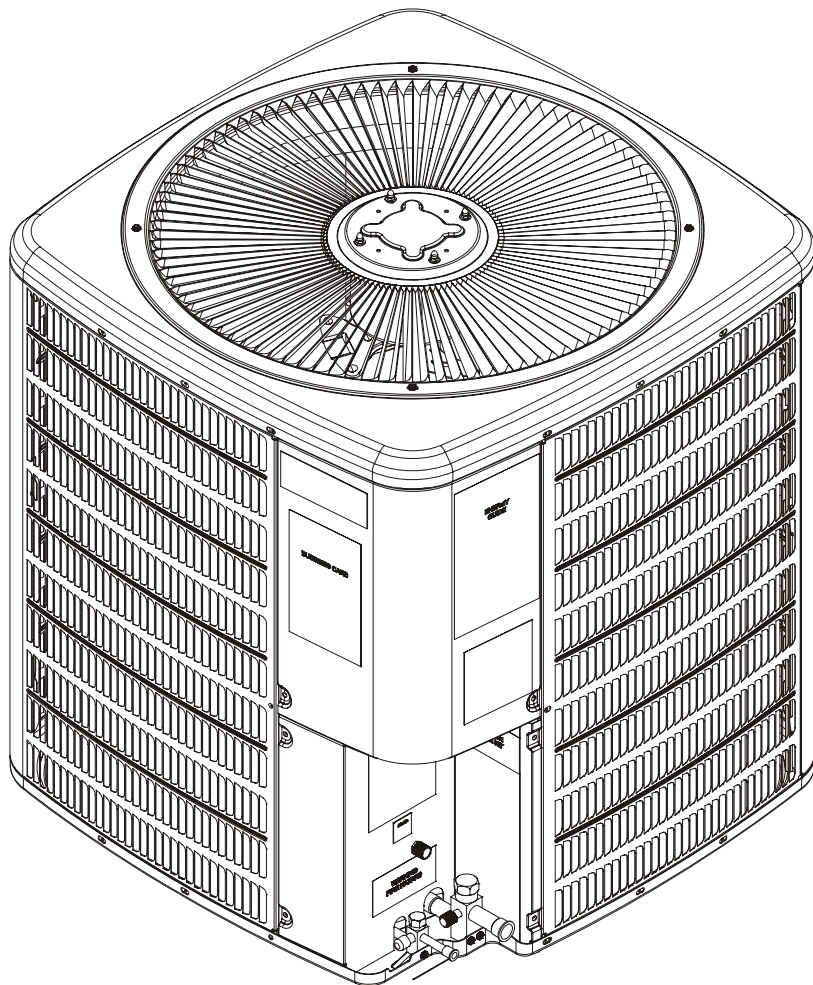
GSZ140301AA

GSZ140361AA

GSZ140421AA

GSZ140481AA

GSZ140601AA



This manual is to be used by qualified technicians only.

© 2009 Goodman Manufacturing Company, L.P. ♦ 5151 San Felipe, Suite 500 ♦ Houston, TX 77056

Important Information

Index

Functional Parts List	3
Illustration and Parts	4 - 9

Views shown are for parts illustrations only, not servicing procedures.

This system uses R410A refrigerant. If sealed system work is required, use approved equipment and follow service procedures. Refer to Service Manual or Installation Instructions for service procedures.

Text Codes:

AR - As Required

NA - Not Available

NS - Not Shown

00000000 - See Note

QTY - Quantity Example (QTY 3) (If Quantity not shown, Quantity = 1)

M - Model Example (M1) (If M Code not shown, then part is used on all Models)

Expanded Model Nomenclature:

Example M1 - Model#1 M2 - Model#2 M3 - Model#3

Goodman Manufacturing Company, L.P. is not responsible for personal injury or property damage resulting from improper service. Review all service information before beginning repairs.

Warranty service must be performed by an authorized technician, using authorized factory parts. If service is required after the warranty expires, Goodman Manufacturing Company, L.P. also recommends contacting an authorized technician and using authorized factory parts.

Goodman Manufacturing Company, L.P. reserves the right to discontinue, or change at any time, specifications or designs without notice or without incurring obligations.

For assistance within the U.S.A. contact:
Consumer Affairs Department
Goodman Manufacturing Company, L.P.
7401 Security Way
Houston, Texas 77040
877-254-4729-Telephone
713-863-2382-Facsimile

For assistance outside the U.S.A. contact:
International Division
Goodman Manufacturing Company, L.P.
7401 Security Way
Houston, Texas 77040
713-861-2500-Telephone
713-863-2382-Facsimile

Functional Parts

Part

No: Description:

CAP050700440RTS	CAP, 5/70 MFD/440V/DUAL RD (M7)
CAP050300440RSS	CAPACITOR 5/30/370V (M1)
CAP050400440RTS	CAPACITOR 5/40/440V (M2, M3)
CAP050450440RTS	CAPACITOR 5/45/440V (M4, M5, M6)
ZP21K5EPFV830	COMP,21300,208/230/60/1 (M2)
ZP16K5EPFV830	COMPRESSOR 15500, 208/230/60/1 (M1)
ZP25K5EPFV830	COMPRESSOR 25200, 208/230/60/1 (M3)
ZP29K5EPFV830	COMPRESSOR 29000, 208/230/60/1 (M4)
ZP34K5EPFV830	COMPRESSOR 34500, 208/230/60/1 (M5)
ZP39K5EPFV830	COMPRESSOR 39000, 208/230/60/1 (M6)
ZP51K5EPFV830	COMPRESSOR 51000, 208/230/60/1 (M7)
0131M00019PS	COND MOTOR 1/12 HP, 1 SP, 8 PL (M1)
0131M00012PS	COND MOTOR 1/6 HP, 1 SP, 8 PL (M3)
0131M00016PS	COND MOTOR 1/6 HP, 1 SP, 8 PL (M2)
CONT2P025024VS	CONTACTOR 25 AMP, 2P, 24V (M1, M2, M3, M4, M5)
CONT2P030024VS	CONTACTOR 30 AMP, 2P, 24V (M6, M7)
0130R00045	CRANKCASE HEATER SWITCH
PCBDM133	DEFROST CONTROL BOARD
B1370803	DEFROST THERMOSTAT
0163R00003S	HEATER, CRANKCASE 230V, 40W (M5, M6, M7)
0163R00002S	HEATER, CRANKCASE 230V, 40W (M1, M2, M3, M4)
0131M00061S	MOTOR, 1/4HP, 1SP, 8PL (M4, M5, M6, M7)
0130M00089	SW-CUTOUT HI PRESS
0130M00088	SW-CUTOUT LOW PRESS

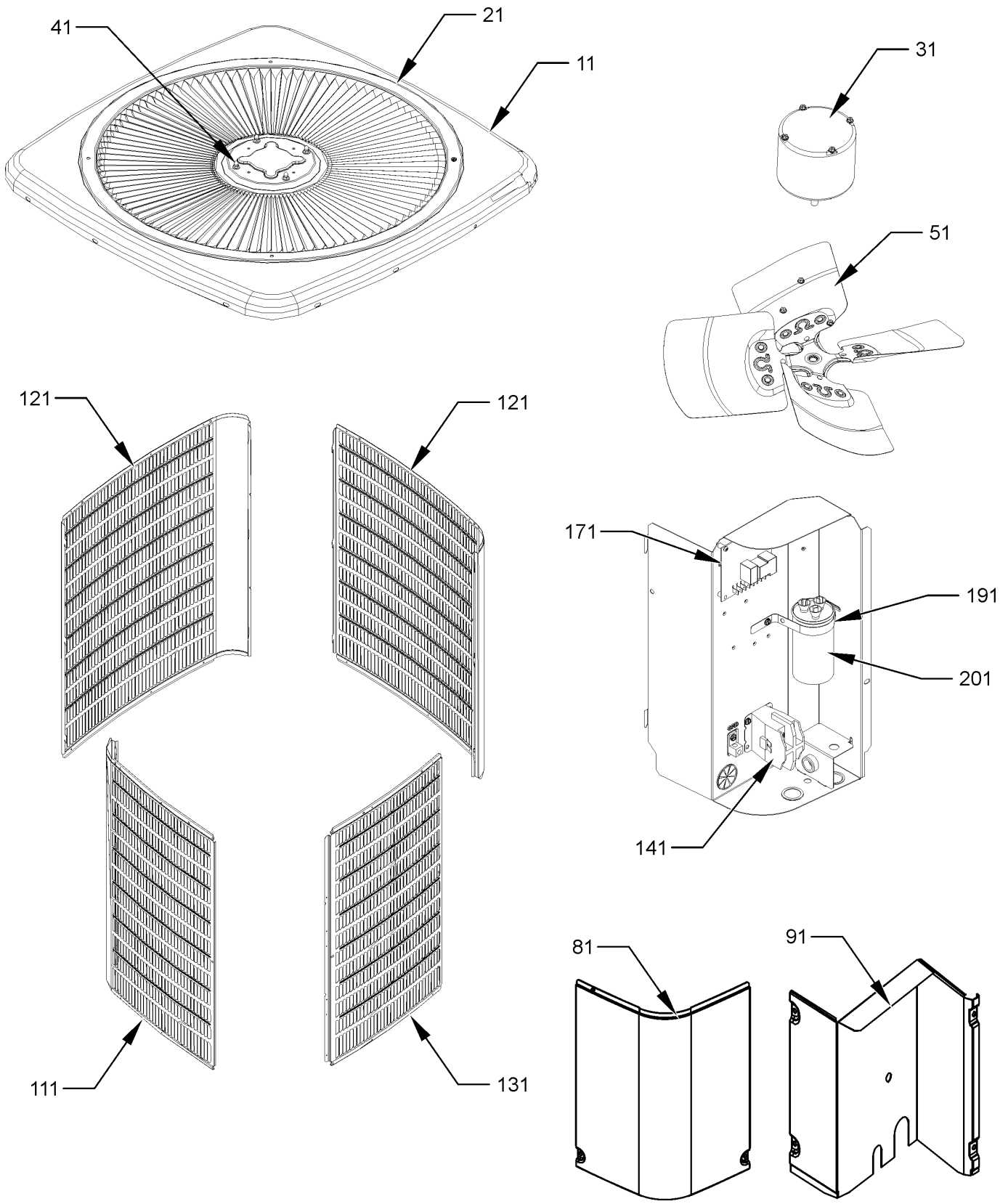
SPECIAL PARTS

0161R00009P NAMEPLATE

Expanded Model Nomenclature

M1 - GSZ140181AA
M2 - GSZ140241AA
M3 - GSZ140301AA
M4 - GSZ140361AA
M5 - GSZ140421AA
M6 - GSZ140481AA
M7 - GSZ140601AA

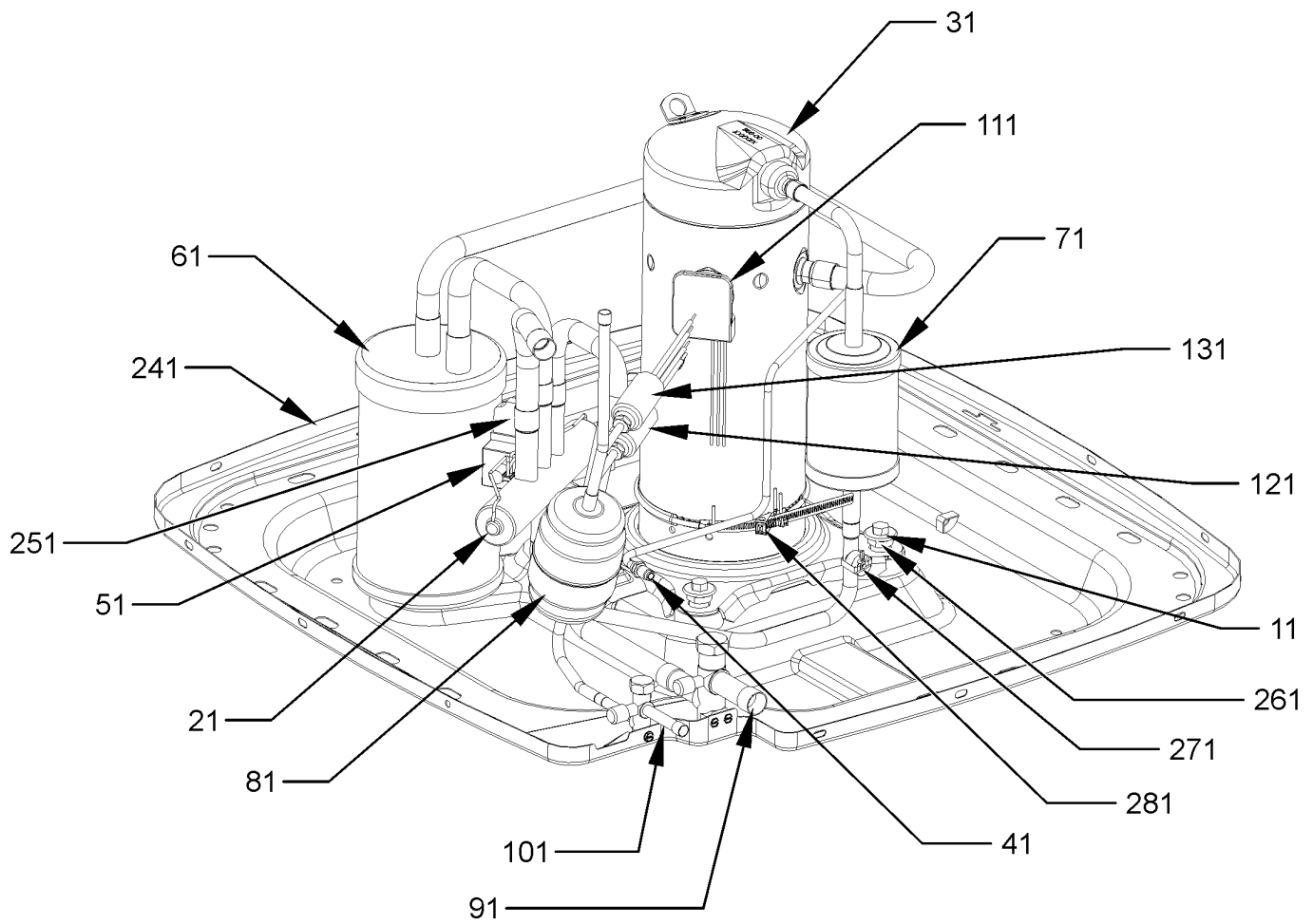
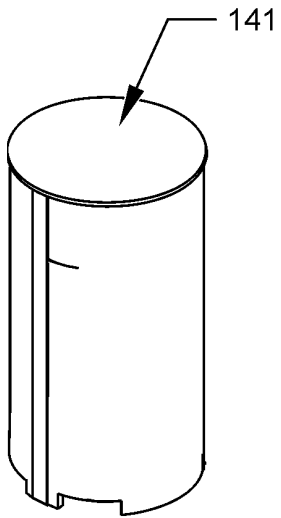
Control Panel and Top Assembly



Control Panel and Top Assembly

Ref. Part No:	No:	Description:	Ref. Part No:	No:	Description:
<i>Image 1:</i>			Expanded Model Nomenclature		
11	0121R00269PDG	PANEL, TOP 35" PNT (M5, M6, M7)	M1	-	GSZ140181AA
11	0121R00010PDG	TOP PANEL 29" (M1, M2, M3, M4)	M2	-	GSZ140241AA
21	0161L00000	VENTURI RING 22" (M4)	M3	-	GSZ140301AA
31	0131M00019PS	COND MOTOR 1/12 HP, 1 SP, 8 PL (M1)	M4	-	GSZ140361AA
31	0131M00012PS	COND MOTOR 1/6 HP, 1 SP, 8 PL (M3)	M5	-	GSZ140421AA
31	0131M00016PS	COND MOTOR 1/6 HP, 1 SP, 8 PL (M2)	M6	-	GSZ140481AA
31	0131M00061S	MOTOR, 1/4HP, 1SP, 8PL (M4, M5, M6, M7)	M7	-	GSZ140601AA
41	0163M00006P	ACORN NUT 5/16 HEX BLACK (QTY 4)			
51	10625737S	FAN BLADE 22" ALUM CCW (M1)			
51	0150M00008S	FAN BLADE 22" TNT2203-25 (M2, M3)			
51	10625738S	FAN BLADE 26" ALUM CCW (M5, M6, M7)			
51	B1086765S	FAN BLADE TYPE 3 (M4)			
81	0121R00053PDG	CONTROL COVER			
91	4400202PDG	LOWER ACCESS PANEL (M1, M6)			
91	4400205PDG	LOWER ACCESS PANEL (M2, M3, M4, M5, M7)			
111	0121R00025PDGB	LOUVERED SIDE PANEL [LT OF CNTL PNL] (M1)			
111	0121R00042PDGB	LOUVERED SIDE PANEL [LT OF CNTL PNL] (M6)			
111	0121R00043PDGB	LOUVERED SIDE PANEL [LT OF CNTL PNL] (M5, M7)			
111	0121R00027PDGBS	LOUVERED SIDE PANEL [LT OF CNTL PNL] (M2, M3, M4)			
121	0121R00031PDGB	LOUVERED SIDE PANEL (M1)			
121	0121R00033PDGBS	LOUVERED SIDE PANEL (M2, M3, M4)			
121	0121R00046PDGB	LOUVERED SIDE PANEL (M6)			
121	0121R00047PDGB	LOUVERED SIDE PANEL (M5, M7)			
131	0121R00037PDG	LOUVERED SIDE PANEL [RT OF CNTL PNL] (M1)			
131	0121R00039PDGS	LOUVERED SIDE PANEL [RT OF CNTL PNL] (M2, M3, M4)			
131	0121R00050PDG	LOUVERED SIDE PANEL [RT OF CNTL PNL] (M6)			
131	0121R00051PDG	LOUVERED SIDE PANEL [RT OF CNTL PNL] (M5, M7)			
141	CONT2P025024VS	CONTACTOR 25 AMP, 2P, 24V (M1, M2, M3, M4, M5)			
141	CONT2P030024VS	CONTACTOR 30 AMP, 2P, 24V (M6, M7)			
171	PCBDM133	DEFROST CONTROL BOARD			
191	4400065	CAPACITOR STRAP			
201	CAP050700440RTS	CAP, 5/70 MFD/440V/DUAL RD (M7)			
201	CAP050300440RSS	CAPACITOR 5/30/370V (M1)			
201	CAP050400440RTS	CAPACITOR 5/40/440V (M2, M3)			
201	CAP050450440RTS	CAPACITOR 5/45/440V (M4, M5, M6)			
NS	0161R00002P	CONDUIT (M4)			
NS	0161R00003P	CONDUIT (M1, M2, M3)			
NS	0161R00005P	CONDUIT (M5, M6, M7)			
NS	0161R00009P	NAMEPLATE			

Tubing Assembly



Tubing Assembly

Ref. Part No: No:	Description:	Ref. Part No: No:	Description:
-------------------	--------------	-------------------	--------------

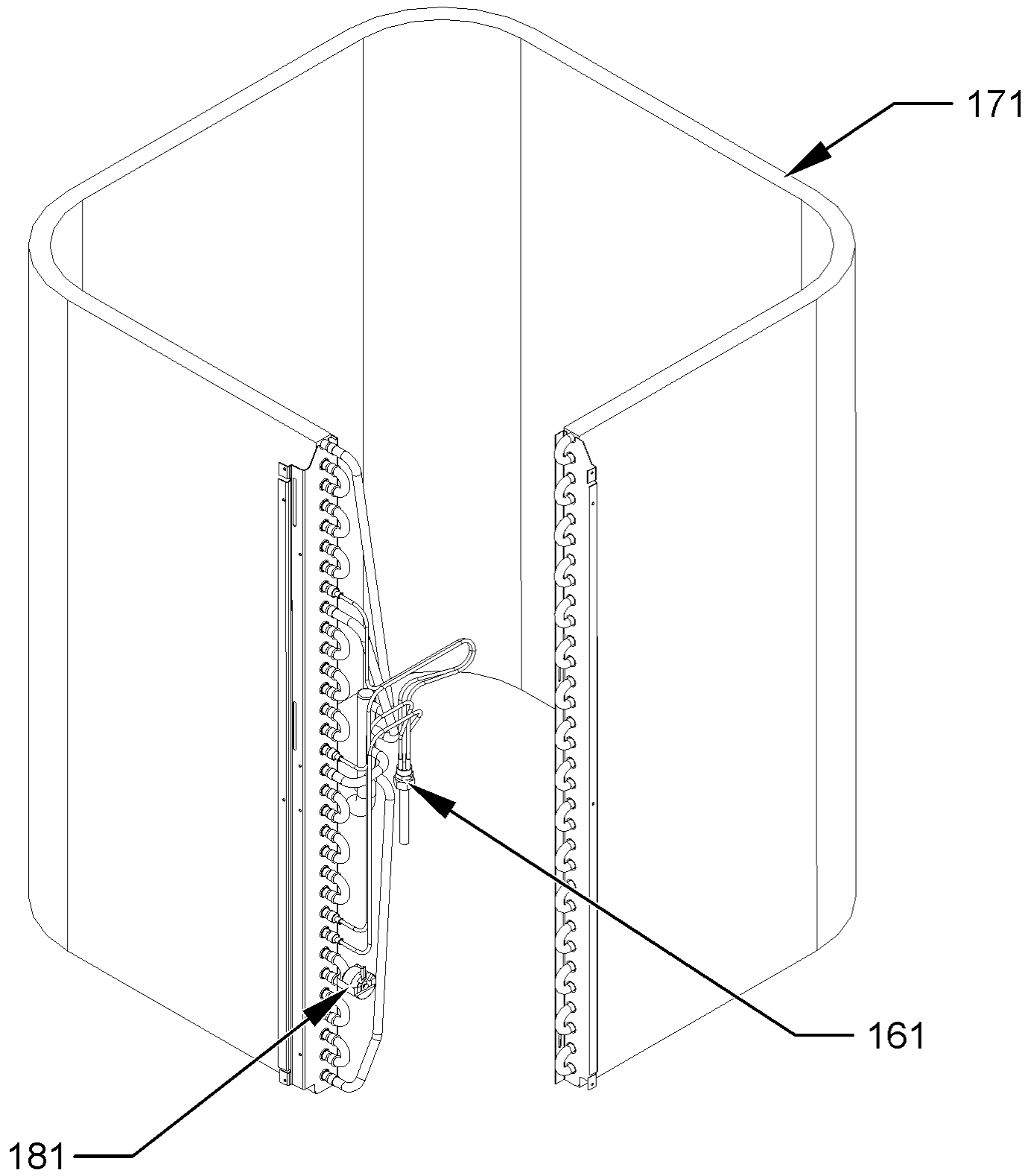
Image 1:

11	M0221641	TF SHOULDER SCREW (QTY 4)
21	0151M00018S	REVERSING VALVE (M1, M2)
21	0151M00019S	REVERSING VALVE (M3, M4)
21	0151M00021S	REVERSING VALVE (M5, M6, M7)
51	ZP21K5EPFV830	COMP,21300,208/230/60/1 (M2)
51	ZP16K5EPFV830	COMPRESSOR 15500, 208/230/60/1 (M1)
51	ZP25K5EPFV830	COMPRESSOR 25200, 208/230/60/1 (M3)
51	ZP29K5EPFV830	COMPRESSOR 29000, 208/230/60/1 (M4)
51	ZP34K5EPFV830	COMPRESSOR 34500, 208/230/60/1 (M5)
51	ZP39K5EPFV830	COMPRESSOR 39000, 208/230/60/1 (M6)
51	ZP51K5EPFV830	COMPRESSOR 51000, 208/230/60/1 (M7)
61	0151L00008	ACCUMULATOR (M4)
61	0151R00004P	ACCUMULATOR .750 (M1, M2, M3)
61	B1226207	ACCUMULATOR .875 (M5, M6, M7)
71	0162R00007	MUFFLER 1/2 X 1/2
81	20485201	BI-FLOW FILTER DRIER
91	0151R00002P	3/4" SERVICE VALVE OPEN LEFT (M1, M2, M3, M4)
91	0151R00003P	7/8" SERVICE VALVE OPEN LEFT (M5, M6, M7)
101	B12825171	3/8" SERVICE VALVE
121	0130M00088	SW-CUTOUT LOW PRESS
131	0130M00089	SW-CUTOUT HI PRESS
241	0121R00006PDG	BASE PAN 29" (M1, M2, M3, M4)
241	0121R00007PDG	BASE PAN 35" (M5, M6, M7)
251	0130M00083	SOLENOID HARNESS W/1/4" TERM
261	B1339533	COMPRESSOR GROMMET (QTY 4)
271	0130R00045	CRANKCASE HEATER SWITCH
281	0163R00002S	HEATER, CRANKCASE 230V, 40W (M1, M2, M3, M4)
281	0163R00003S	HEATER, CRANKCASE 230V, 40W (M5, M6, M7)
NS	0159R00001P	COMPRESSOR SCROLL HARNESS (M1, M2, M3)
NS	0159R00002P	COMPRESSOR SCROLL HARNESS (M4, M5, M6, M7)

Expanded Model Nomenclature

M1 - GSZ140181AA
M2 - GSZ140241AA
M3 - GSZ140301AA
M4 - GSZ140361AA
M5 - GSZ140421AA
M6 - GSZ140481AA
M7 - GSZ140601AA

Condenser



Condenser

Ref. Part No:	No:	Description:	Ref. Part No:	No:	Description:
---------------	-----	--------------	---------------	-----	--------------

Image 1:

171	0201R00351	COIL TUBING ASSEMBLY, 36X1 (M4)
171	0201R00060S	TUBING ASSY, COND COIL (M6)
171	0201R00061S	TUBING ASSY, COND COIL (M2)
171	0201R00062S	TUBING ASSY, COND COIL (M3)
171	0201R00071S	TUBING ASSY, COND COIL (M1)
171	0201R00072S	TUBING ASSY, COND COIL (M5)
171	0201R00073S	TUBING ASSY, COND COIL (M7)
181	B1370803	DEFROST THERMOSTAT

Expanded Model Nomenclature

M1 - GSZ140181AA
M2 - GSZ140241AA
M3 - GSZ140301AA
M4 - GSZ140361AA
M5 - GSZ140421AA
M6 - GSZ140481AA
M7 - GSZ140601AA