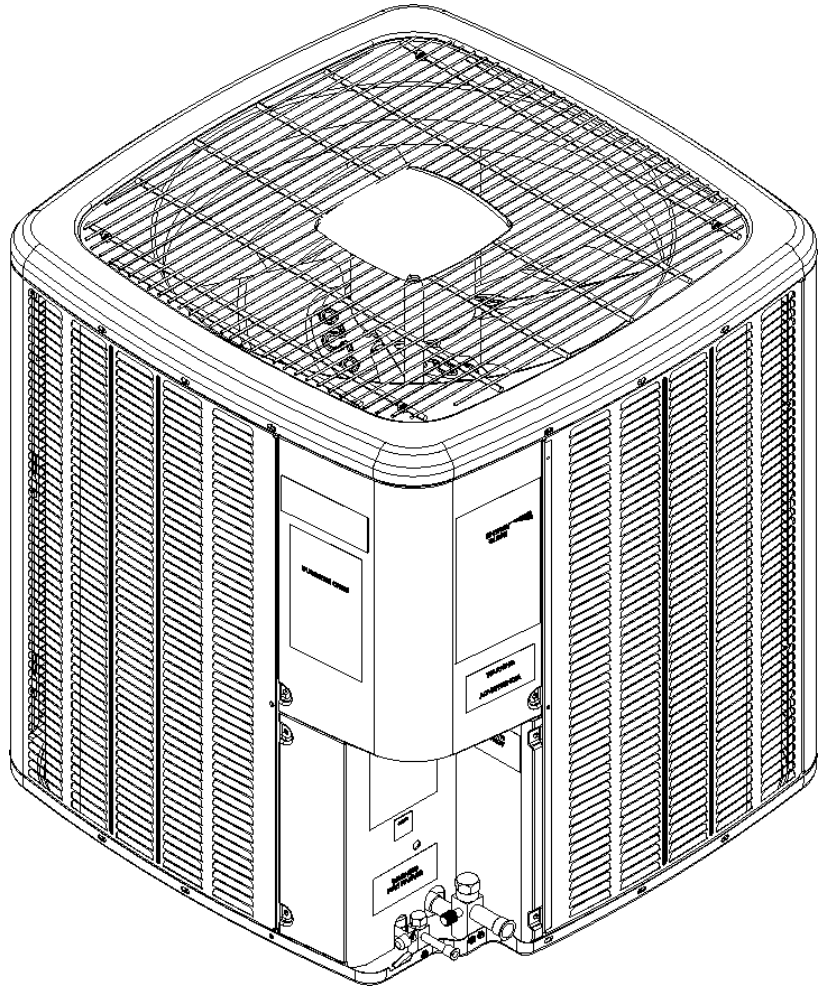


GSX16 Remote Condensing Unit

GSX160181FA
GSX160181FB
GSX160181FD
GSX160241FA
GSX160241FB
GSX160241FD
GSX160241FE
GSX160301FA
GSX160301FB
GSX160301FD
GSX160301FE
GSX160361FA
GSX160361FB
GSX160361FD
GSX160421FA
GSX160421FB
GSX160421FD
GSX160481FA
GSX160481FB
GSX160481FD
GSX160601FA
GSX160601FB
GSX160601FD
GSX160611FA
GSX160611FB
GSX160611FD



This manual is to be used by qualified technicians only.

This manual replaces RP-774E.

© 2013 - 2016 Goodman Manufacturing Company, L.P. ♦ 5151 San Felipe St., Suite 500 ♦ Houston, TX 77056

Important Information

Index

Functional Parts List	3
Illustration and Parts	4 - 9

Views shown are for parts illustrations only, not servicing procedures

Text Codes:

AR - As Required

NA - Not Available

NS - Not Shown

00000000 - See Note

QTY - Quantity Example (QTY 3) (If Quantity not shown, Quantity = 1)

M - Model Example (M1) (If M Code not shown, then part is used on all Models)

Expanded Model Nomenclature:

Example M1 - Model#1 M2 - Model#2 M3 - Model#3

Goodman Manufacturing Company, L.P. is not responsible for personal injury or property damage resulting from improper service. Review all service information before beginning repairs.

Warranty service must be performed by an authorized technician, using authorized factory parts. If service is required after the warranty expires, Goodman Manufacturing Company, L.P. also recommends contacting an authorized technician and using authorized factory parts.

Goodman Manufacturing Company, L.P. reserves the right to discontinue, or change at any time, specifications or designs without notice or without incurring obligations.

For assistance within the U.S.A. contact:
Homeowner Support
Goodman Manufacturing Company, L.P.
19001 Kermier Road
Waller, Texas 77484
877-254-4729-Telephone
713-863-2382-Facsimile

For assistance outside the U.S.A. contact:
International Division
Goodman Manufacturing Company, L.P.
19001 Kermier Road
Waller, Texas 77484
713-861-2500-Telephone
713-863-2382-Facsimile

Functional Parts

Part

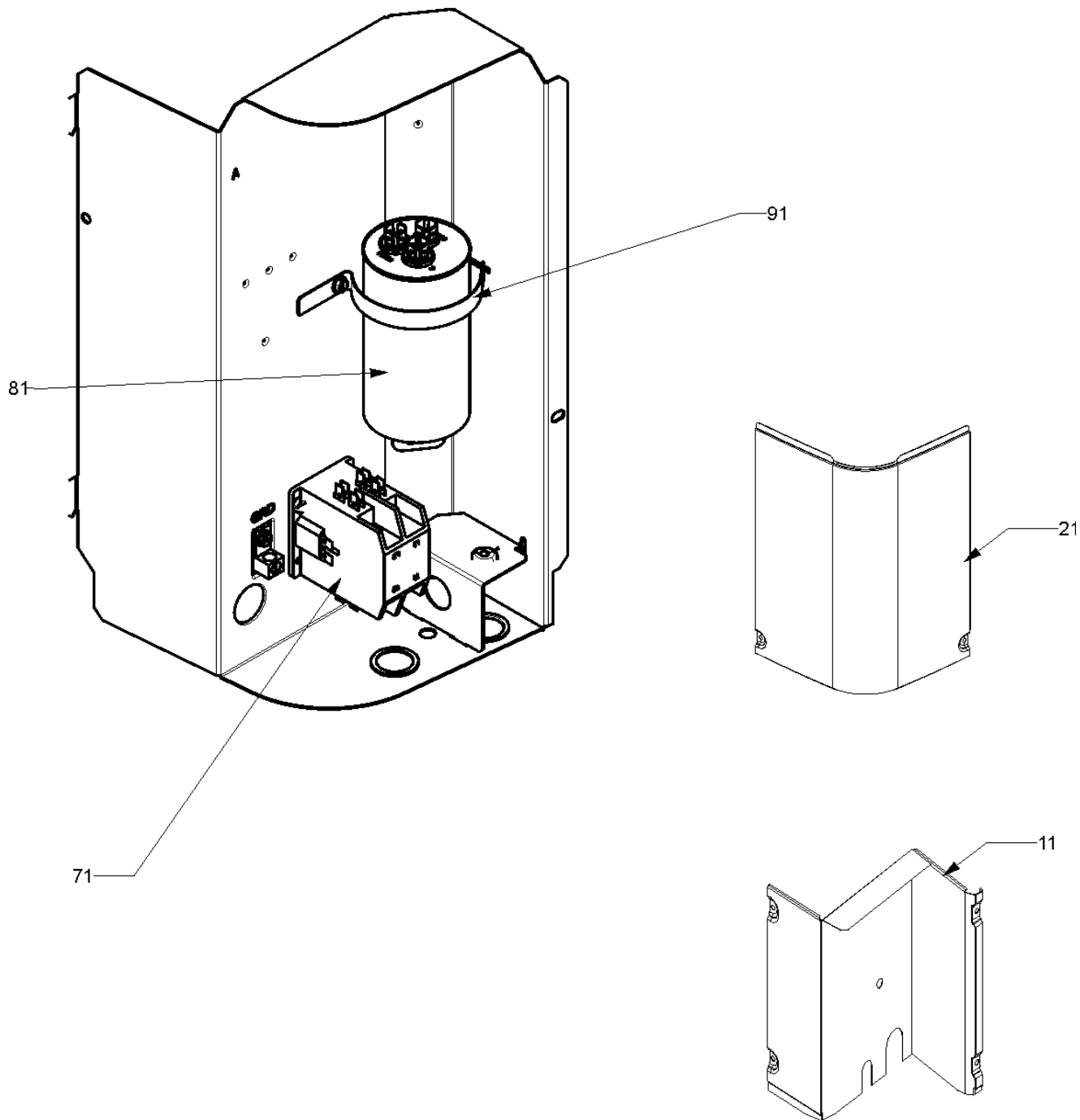
No: Description:

Part No:	Description:	Expanded Model Nomenclature
0151R00046	7/8" BALL VALVE (M9, M13, M16, M19, M22, M25)	M1 - GSX160181FA
0151R00081	7/8" BALL VALVE (M20, M23, M26)	M2 - GSX160181FB
0151R00045	BALL VALVE, 3/4 (M2, M5)	M3 - GSX160181FD
0151R00079	BASE VALVE 3/4" (M1, M3, M4, M6, M7)	M4 - GSX160241FA
0151R00078	BASE VALVE 3/8"	M5 - GSX160241FB
0151R00080	BASE VALVE 7/8" (M8, M10, M11, M12, M14, M15, M17, M18, M21, M24)	M6 - GSX160241FD
CAP050300440CS	CAP.5/30MFD/440V/DUAL RD (M1, M2, M3)	M7 - GSX160241FE
CAP050350440CS	CAPACITOR 5/35/440V (M4, M5, M6, M7)	M8 - GSX160301FA
CAP050400440CT	CAPACITOR 5/40/440V/DUAL RD (M8, M9, M10, M11)	M9 - GSX160301FB
CAP050450440CT	CAPACITOR 5/45/440V/DUAL RD (M12, M13, M14, M15, M16, M17, M18, M19, M20)	M10 - GSX160301FD
CAP050700440CT	CAPACITOR 5/70/440V/DUAL RD (M21, M22, M23, M24, M25, M26)	M11 - GSX160301FE
ZP14K5EPFV130	COMP, 14650,208/230/60/1 (M1, M2, M3)	M12 - GSX160361FA
ZP24K5EPFV130	COMP,24000,208/230/60/1 (M8, M9, M10, M11)	M13 - GSX160361FB
ZP29K5EPFV130	COMP,29000,208/230/60/1 (M12, M13, M14)	M14 - GSX160361FD
ZP44K5EPFV130	COMP,44400,280/230/60/1 (M21, M22, M23)	M15 - GSX160421FA
ZP49K5EPFV130	COMP,49400,208/230/60/1 (M24, M25, M26)	M16 - GSX160421FB
ZP20K5EPFV130	COMPRESSOR 20000, 208/230/60/1 (M4, M5, M6, M7)	M17 - GSX160421FD
ZP34K5EPFV130	COMPRESSOR 34500, 208/230/60/1 (M15, M16, M17)	M18 - GSX160481FA
ZP36K5EPFV130	COMPRESSOR 36200, 208/230/60/1 (M18, M19, M20)	M19 - GSX160481FB
0131M00061	COND MOTOR 1/4 HP, 1 SP, 8 PL (M18, M19, M20, M24, M25, M26)	M20 - GSX160481FD
0131M00060	COND MOTOR 1/6 HP, 1 SP, 8 PL (M1, M2, M4, M5, M8, M9, M12, M13, M15, M16)	M21 - GSX160601FA
0131M00753	COND MOTOR, 1/6HP, 1SP, 8PL, AL (M3, M6, M7, M10, M11, M14, M17)	M22 - GSX160601FB
0131M00401	COND MOTOR, ECM (M21, M22, M23)	M23 - GSX160601FD
CONT1P025024V	CONTACTOR 25 AMP, 1P, 24V (M1, M2, M3, M4, M5, M6, M7, M12, M13, M14)	M24 - GSX160611FA
CONT1P030024V	CONTACTOR 30 AMP, 1P, 24V (M8, M9, M10, M11, M15, M16, M17, M18, M19, M20, M21, M22, M23, M24, M25, M26)	M25 - GSX160611FB
0150M00008	FAN BLADE 22" TNT2203-25 (M1, M2, M3, M4, M5, M6, M7, M8, M9, M10, M11, M12, M13, M14)	M26 - GSX160611FD
10625738	FAN BLADE 26" ALUM CCW (M15, M16, M17, M18, M19, M20, M24, M25, M26)	
0150M00010	FAN BLADE 26" ALUM CCW (M21, M22, M23)	
0163R00003	HEATER, CRANKCASE 230V 40W (M21, M22, M23)	

SPECIAL PARTS

0161R00009P NAMEPLATE

Control Box



Control Box

**Ref. Part
No: No:**

Description:

**Ref. Part
No: No:**

Description:

Image 1:

11	0121R00663PDG	LOWER ACCESS PANEL (M1, M3, M4, M6, M7)
11	0121R00316PDG	PANEL, LOWER ACCESS (M12, M14, M18, M20, M24, M25, M26)
11	0121R00318PDG	PANEL, LOWER ACCESS (M21, M23)
11	0121R00319PDG	PANEL, LOWER ACCESS (M8, M10, M11, M15, M17)
11	0121R00357PDG	PANEL, LOWER ACCESS (M2, M5)
11	0121R00358PDG	PANEL, LOWER ACCESS (M9, M16)
11	0121R00359PDG	PANEL, LOWER ACCESS (M13, M19)
11	0121R00516PDG	PANEL, LOWER ACCESS (M22)
21	0121R00053PDG	CONTROL COVER
71	CONT1P025024V	CONTACTOR 25 AMP, 1P, 24V (M1, M2, M3, M4, M5, M6, M7, M12, M13, M14)
71	CONT1P030024V	CONTACTOR 30 AMP, 1P, 24V (M8, M9, M10, M11, M15, M16, M17, M18, M19, M20, M21, M22, M23, M24, M25, M26)
81	CAP050300440CS	CAP,5/30MFD/440V/DUAL RD (M1, M2, M3)
81	CAP050350440CS	CAPACITOR 5/35/440V (M4, M5, M6, M7)
81	CAP050400440CT	CAPACITOR 5/40/440V/DUAL RD (M8, M9, M10, M11)
81	CAP050450440CT	CAPACITOR 5/45/440V/DUAL RD (M12, M13, M14, M15, M16, M17, M18, M19, M20)
81	CAP050700440CT	CAPACITOR 5/70/440V/DUAL RD (M21, M22, M23, M24, M25, M26)
91	4400065	CAPACITOR STRAP
NS	0161R00009P	NAMEPLATE

Expanded Model Nomenclature

M1 - GSX160181FA
M2 - GSX160181FB
M3 - GSX160181FD
M4 - GSX160241FA
M5 - GSX160241FB
M6 - GSX160241FD
M7 - GSX160241FE
M8 - GSX160301FA
M9 - GSX160301FB
M10 - GSX160301FD
M11 - GSX160301FE
M12 - GSX160361FA
M13 - GSX160361FB
M14 - GSX160361FD
M15 - GSX160421FA
M16 - GSX160421FB
M17 - GSX160421FD
M18 - GSX160481FA
M19 - GSX160481FB
M20 - GSX160481FD
M21 - GSX160601FA
M22 - GSX160601FB
M23 - GSX160601FD
M24 - GSX160611FA
M25 - GSX160611FB
M26 - GSX160611FD

Cabinet Top / Side Panels

IMAGE 1

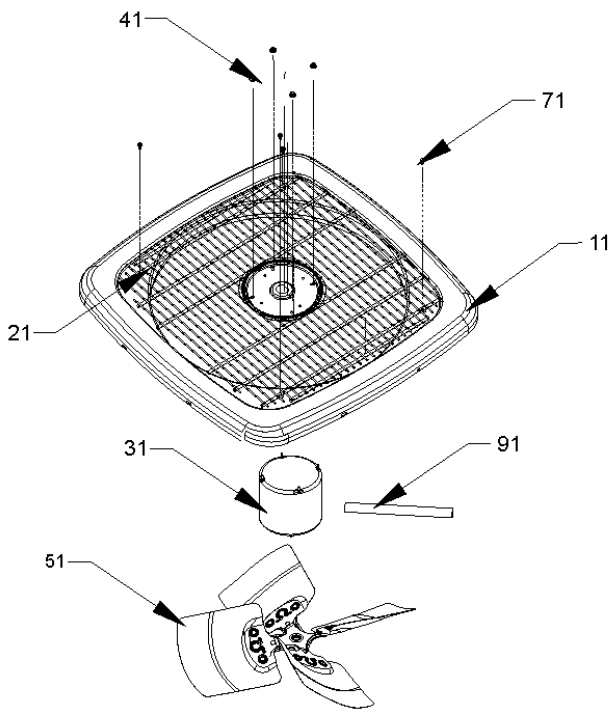


IMAGE 2

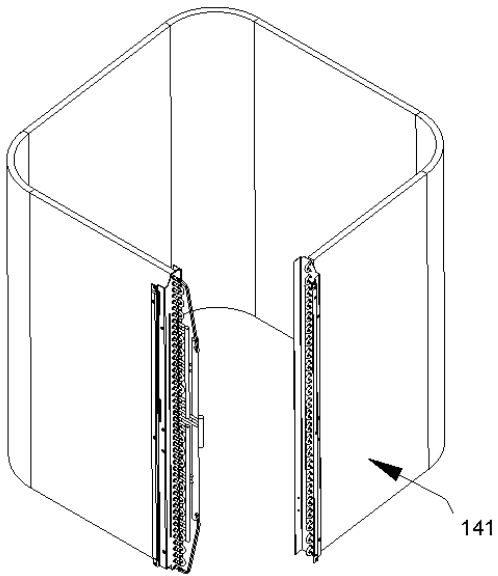
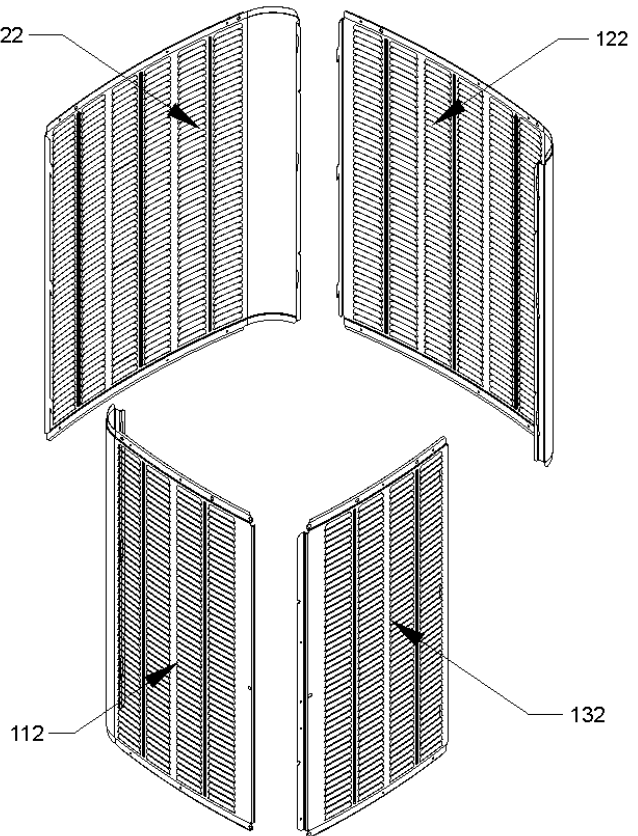
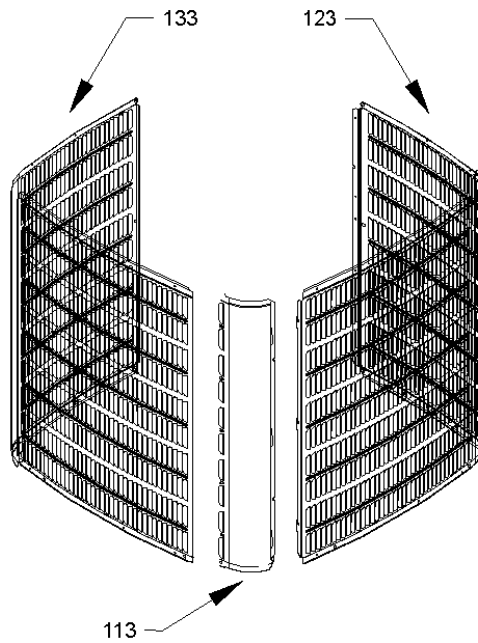


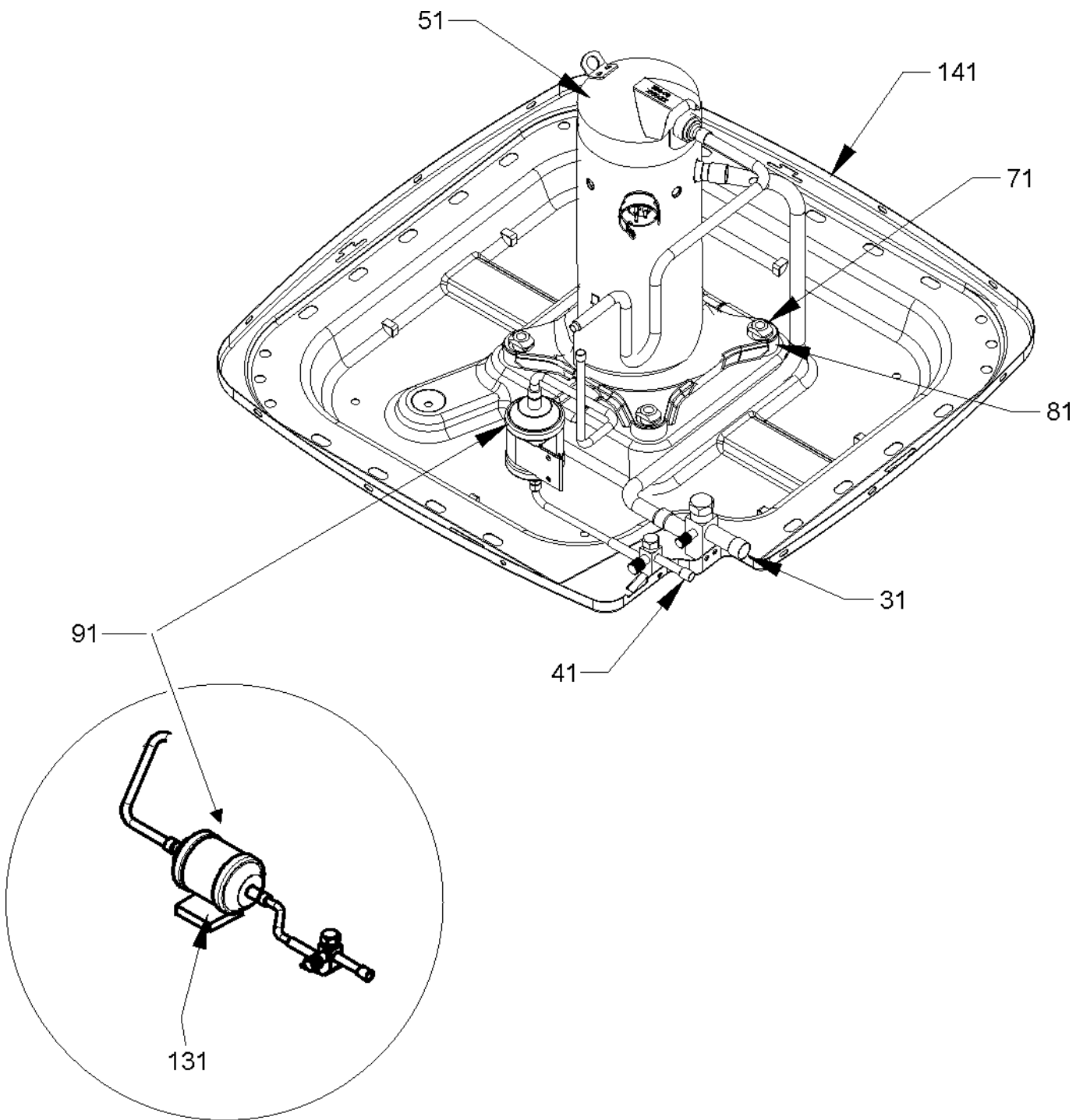
IMAGE 3



Cabinet Top / Side Panels

Ref. Part No:	Description:	Ref. Part No:	Description:
Image 1:		Image 3:	
11	0121R00011PDG VENTURI TOP PANEL 29" (M1, M2, M3, M4, M5, M6, M7, M8, M9, M10, M11, M12, M13, M14)	113	0121R00354PDG Louver Post, PDG 36.30 (M12, M13, M14)
11	0121R00013PDG VENTURI TOP PANEL 35" (M15, M16, M17, M18, M19, M20, M21, M22, M23, M24, M25, M26)	123	0121R00342PDGRS LOUVERED PANEL (M1, M2, M3, M4, M5, M6, M7)
21	0152R00011 GRILLE, WIRE 29" TOP (M1, M2, M3, M4, M5, M6, M7, M8, M9, M10, M11, M12, M13, M14)	123	0121R00344PDGRS LOUVERED PANEL (M8, M9, M10, M11)
21	0152R00014 GRILLE, WIRE 35" TOP (M15, M16, M17, M18, M19, M20, M21, M22, M23, M24, M25, M26)	123	0121R00346PDGRS LOUVERED PANEL (M12, M13, M14)
31	0131M00061 COND MOTOR 1/4 HP, 1 SP, 8 PL (M18, M19, M20, M24, M25, M26)	133	0121R00342PDGLS LOUVERED PANEL (M1, M2, M3, M4, M5, M6, M7)
31	0131M00060 COND MOTOR 1/6 HP, 1 SP, 8 PL (M1, M2, M4, M5, M8, M9, M12, M13, M15, M16)	133	0121R00344PDGLS LOUVERED PANEL (M8, M9, M10, M11)
31	0131M00753 COND MOTOR, 1/6HP, 1SP, 8PL, AL (M3, M6, M7, M10, M11, M14, M17)	133	0121R00346PDGLS LOUVERED PANEL (M12, M13, M14)
31	0131M00401 COND MOTOR, ECM (M21, M22, M23)	Expanded Model Nomenclature	
41	M0280801 HEX NUT (M1, M2, M3, M4, M5, M6, M7, M8, M9, M10, M11, M12, M13, M14, M15, M16, M17, M18, M19, M20, M24, M25, M26)	M1	- GSX160181FA
41	B1393024 LOCK NUT (M21, M22, M23)	M2	- GSX160181FB
51	0150M00008 FAN BLADE 22" TNT2203-25 (M1, M2, M3, M4, M5, M6, M7, M8, M9, M10, M11, M12, M13, M14)	M3	- GSX160181FD
51	0150M00010 FAN BLADE 26" ALUM CCW (M21, M22, M23)	M4	- GSX160241FA
51	10625738 FAN BLADE 26" ALUM CCW (M15, M16, M17, M18, M19, M20, M24, M25, M26)	M5	- GSX160241FB
71	0163M00003P SCREW #10 X 1/2, A, SLOT, SR, BLACK (QTY 4)	M6	- GSX160241FD
91	0161R00002P CONDUIT (M1, M2, M3, M4, M5, M6, M7, M8, M9, M10, M11, M12, M13, M14)	M7	- GSX160241FE
91	0161R00004P CONDUIT (M15, M16, M17, M18, M19, M20, M24, M25, M26)	M8	- GSX160301FA
141	0201R00236 COIL TUBING ASSY (M12, M13, M14)	M9	- GSX160301FB
141	0201R00296 COIL TUBING ASSY (M1, M2, M3, M4, M5, M6, M7)	M10	- GSX160301FD
141	0201R00311 COIL TUBING ASSY (M15, M16, M17)	M11	- GSX160301FE
141	0201R00315 COIL TUBING ASSY (M8, M9, M10, M11)	M12	- GSX160361FA
141	0201R00433 COIL TUBING ASSY (M18, M19, M20, M24, M25, M26)	M13	- GSX160361FB
141	0201R00434 COIL TUBING ASSY (M21, M22, M23)	M14	- GSX160361FD
112	0121R00043PDGB LOUVERED SIDE PANEL [LT OF CNTL PNL] (M21, M22, M23)	M15	- GSX160421FA
112	0121R00228PDGB LOUVERED SIDE PANEL [LT OF CNTL PNL] (M15, M16, M17)	M16	- GSX160421FB
112	0121R00229PDGB LOUVERED SIDE PANEL [LT OF CNTL PNL] (M18, M19, M20, M24, M25, M26)	M17	- GSX160421FD
122	0121R00232PDGB LOUVERED PANEL (M18, M19, M20, M24, M25, M26)	M18	- GSX160481FA
122	0121R00047PDGB LOUVERED SIDE PANEL (M21, M22, M23)	M19	- GSX160481FB
122	0121R00231PDGB LOUVERED SIDE PANEL (M15, M16, M17)	M20	- GSX160481FD
132	0121R00051PDG LOUVERED SIDE PANEL [RT OF CNTL PNL] (M21, M22, M23)	M21	- GSX160601FA
132	0121R00234PDG LOUVERED SIDE PANEL [RT OF CNTL PNL] (M15, M16, M17)	M22	- GSX160601FB
132	0121R00235PDG LOUVERED SIDE PANEL [RT OF CNTL PNL] (M18, M19, M20, M24, M25, M26)	M23	- GSX160601FD
113	0121R00350PDG Louver Post, PDG 28.73 (M1, M2, M3, M4, M5, M6, M7)	M24	- GSX160611FA
113	0121R00352PDG Louver Post, PDG 32.51 (M8, M9, M10, M11)	M25	- GSX160611FB
		M26	- GSX160611FD

Compressor / Tubing Assembly



Compressor / Tubing Assembly

Ref. Part No: No:	Description:	Ref. Part No: No:	Description:
Image 1:		Expanded Model Nomenclature	
31	0151R00046	7/8" BALL VALVE (M9, M13, M16, M19, M22, M25)	M1 - GSX160181FA
31	0151R00081	7/8" BALL VALVE (M20, M23, M26)	M2 - GSX160181FB
31	0151R00045	BALL VALVE, 3/4 (M2, M5)	M3 - GSX160181FD
31	0151R00079	BASE VALVE 3/4" (M1, M3, M4, M6, M7)	M4 - GSX160241FA
31	0151R00080	BASE VALVE 7/8" (M8, M10, M11, M12, M14, M15, M17, M18, M21, M24)	M5 - GSX160241FB
41	0151R00078	BASE VALVE 3/8"	M6 - GSX160241FD
51	ZP14K5EPFV130	COMP, 14650,208/230/60/1 (M1, M2, M3)	M7 - GSX160241FE
51	ZP24K5EPFV130	COMP,24000,208/230/60/1 (M8, M9, M10, M11)	M8 - GSX160301FA
51	ZP29K5EPFV130	COMP,29000,208/230/60/1 (M12, M13, M14)	M9 - GSX160301FB
51	ZP44K5EPFV130	COMP,44400,280/230/60/1 (M21, M22, M23)	M10 - GSX160301FD
51	ZP49K5EPFV130	COMP,49400,208/230/60/1 (M24, M25, M26)	M11 - GSX160301FE
51	ZP20K5EPFV130	COMPRESSOR 20000, 208/230/60/1 (M4, M5, M6, M7)	M12 - GSX160361FA
51	ZP34K5EPFV130	COMPRESSOR 34500, 208/230/60/1 (M15, M16, M17)	M13 - GSX160361FB
51	ZP36K5EPFV130	COMPRESSOR 36200, 208/230/60/1 (M18, M19, M20)	M14 - GSX160361FD
71	M0221641	TF SHOULDER SCREW (QTY 4)	M15 - GSX160421FA
81	B1339533	COMPRESSOR GROMMET (QTY 4)	M16 - GSX160421FB
91	0162R00009	FILTER DRIER	M17 - GSX160421FD
131	0141R00061	FOAM BLOCK, FILTER DRYER (M21, M22, M23)	M18 - GSX160481FA
141	0121R00006PDG	BASE PAN 29" (M1, M2, M3, M4, M5, M6, M7, M8, M9, M10, M11, M12, M13, M14)	M19 - GSX160481FB
141	0121R00007PDG	BASE PAN 35" (M15, M16, M17, M18, M19, M20, M21, M22, M23, M24, M25, M26)	M20 - GSX160481FD
NS	0159R00001P	COMPRESSOR SCROLL HARNESS (M1, M2, M3, M4, M5, M6, M7, M8, M9, M10, M11, M12, M13, M14)	M21 - GSX160601FA
NS	0159R00002P	COMPRESSOR SCROLL HARNESS (M15, M16, M17, M18, M19, M20, M21, M22, M23, M24, M25, M26)	M22 - GSX160601FB
NS	B1789872	FLOW CHECK PISTON KIT (M12, M13, M14)	M23 - GSX160601FD
NS	B1789886	FLOW CHECK PISTON KIT (M21, M22, M23)	M24 - GSX160611FA
NS	B1789849	FLOW CHECK PISTON KIT .049 (M1, M2, M3)	M25 - GSX160611FB
NS	B1789857	FLOW CHECK PISTON KIT .057 (M4, M5, M6, M7)	M26 - GSX160611FD
NS	B1789865	FLOW CHECK PISTON KIT .065 (M8, M9, M10, M11)	
NS	B1789874	FLOW CHECK PISTON KIT .074 (M15, M16, M17)	
NS	B1789878	FLOW CHECK PISTON KIT .078 (M18, M19, M20)	
NS	B1789888	FLOW CHECK PISTON KIT .088 (M24, M25, M26)	
NS	0163R00003	HEATER, CRANKCASE 230V 40W (M21, M22, M23)	
NS	0121R00003	MOTOR MOUNT BRACKET (M21, M22, M23)	