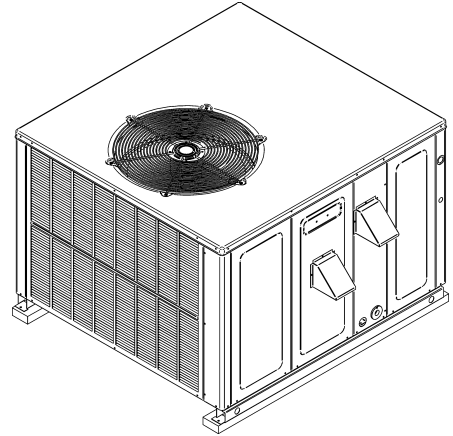


GPU14 "M" Series ULN Residential Package Gas Unit

GPU1424040M41AA
GPU1430060M41CA
GPU1436060M41CA
GPU1442080M41CA
GPU1448080M41CA
GPU1461080M41CA



This manual is to be used by qualified technicians only.

This manual replaces RP-G3304

© 2021 Goodman Manufacturing Company, L.P. ♦ 5151 San Felipe St, Suite 500 ♦ Houston, TX 77056

Important Information

Index

Functional Parts List	3
Illustration and Parts	4 - 13

Views shown are for parts illustrations only, not servicing procedures.

Text Codes:

AR - As Required

NA - Not Available

NS - Not Shown

00000000 - See Note

QTY - Quantity Example (QTY 3) (If Quantity not shown, Quantity = 1)

M - Model Example (M1) (If M Code not shown, then part is used on all Models)

Expanded Model Nomenclature:

Example M1 - Model#1 M2 - Model#2 M3 - Model#3

Goodman Manufacturing Company, L.P. is not responsible for personal injury or property damage resulting from improper service. Review all service information before beginning repairs.

Warranty service must be performed by an authorized technician, using authorized factory parts. If service is required after the warranty expires, Goodman Manufacturing Company, L.P. also recommends contacting an authorized technician and using authorized factory parts.

Goodman Manufacturing Company, L.P. reserves the right to discontinue, or change at any time, specifications or designs without notice or without incurring obligations.

For assistance within the U.S.A. contact:
Homeowner Support
Goodman Manufacturing Company, L.P.
19001 Kermier Road
Waller, Texas 77484
877-254-4729-Telephone
713-863-2382-Facsimile

For assistance outside the U.S.A. contact:
International Division
Goodman Manufacturing Company, L.P.
19001 Kermier Road
Waller, Texas 77484
713-861-2500-Telephone
713-863-2382-Facsimile

Functional Parts

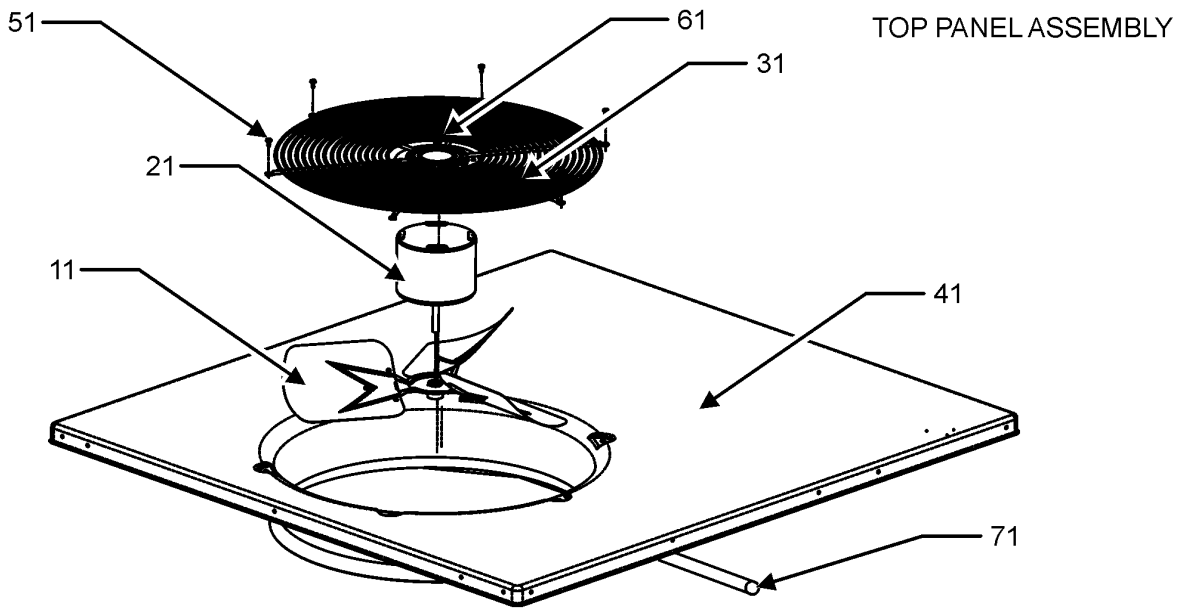
Part

No: Description:

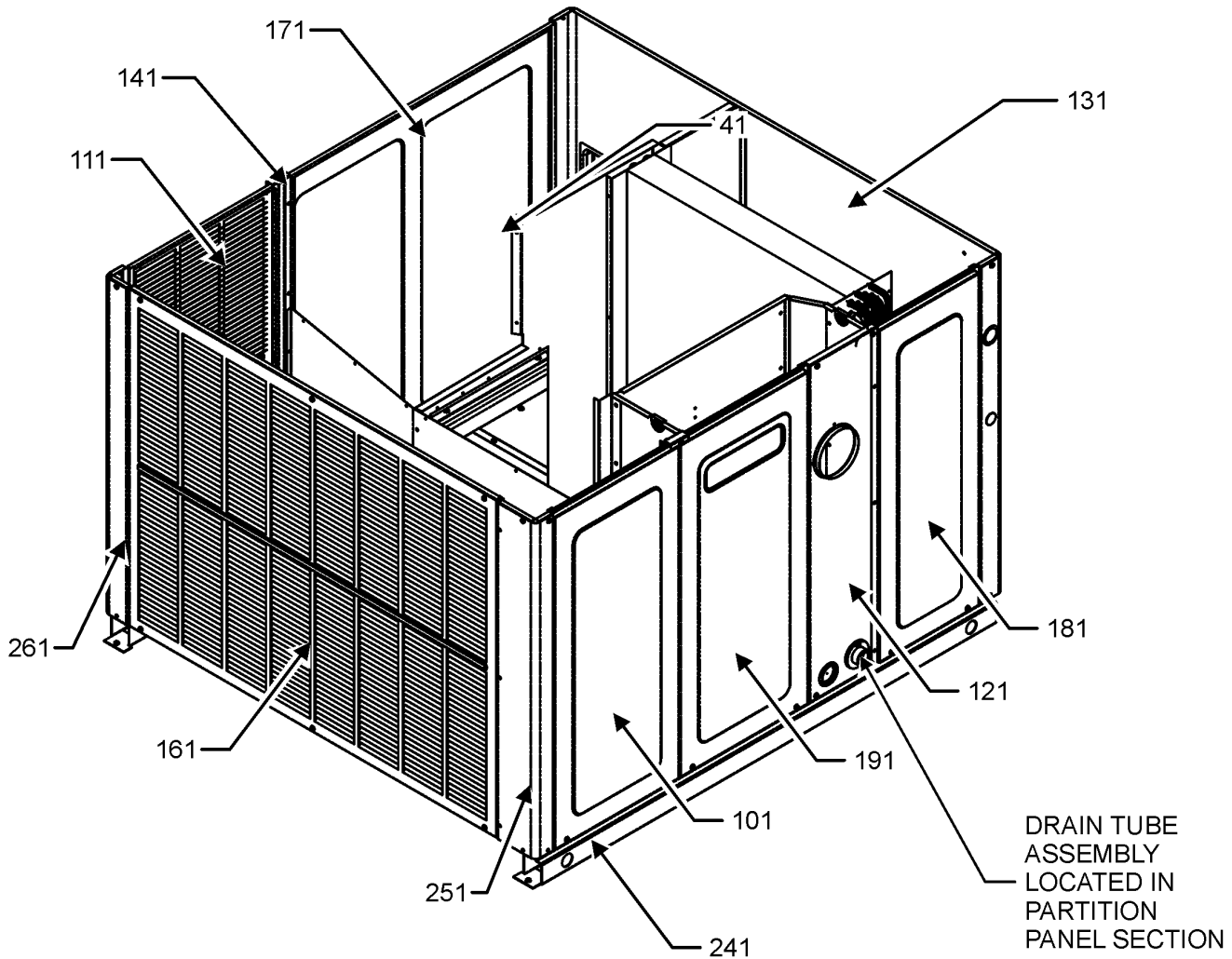
Part No:	Description:								
50N492ZV-ZAKM	2.0TONRECHI COMPR.4 LEGS (M1)	TP-109B	AL COIL-APPROVED CLEANING LIST						
0150G00003	BLADE, FAN 26 SWEPT WING (M3, M4, M5, M6)	HI-116G	HOMEOWNERS MANUAL						
B1368000	BLOWER WHEEL (11 X 10) (M4, M5, M6)	IOG-3021B	I & O MANUAL						
0163G00016	BURNER, ULN (M4, M5, M6)	0161F00007	NAMEPLATE, GOODMAN						
0163G00015	BURNER, ULN (M2, M3)	PWCPKGPTYURB	PRODUCT WARRANTY						
0163G00014	BURNER, ULN (M1)	Expanded Model Nomenclature							
CAP100450440CS	CAP, 10/45 MFD/ 440V DUAL RD (M5, M6)	<table border="1"> <tr> <td>M1 - GPU1424040M41AA</td> </tr> <tr> <td>M2 - GPU1430060M41CA</td> </tr> <tr> <td>M3 - GPU1436060M41CA</td> </tr> <tr> <td>M4 - GPU1442080M41CA</td> </tr> <tr> <td>M5 - GPU1448080M41CA</td> </tr> <tr> <td>M6 - GPU1461080M41CA</td> </tr> </table>		M1 - GPU1424040M41AA	M2 - GPU1430060M41CA	M3 - GPU1436060M41CA	M4 - GPU1442080M41CA	M5 - GPU1448080M41CA	M6 - GPU1461080M41CA
M1 - GPU1424040M41AA									
M2 - GPU1430060M41CA									
M3 - GPU1436060M41CA									
M4 - GPU1442080M41CA									
M5 - GPU1448080M41CA									
M6 - GPU1461080M41CA									
CAP050400440CT	CAP, 5/40 MFD/440V/DUAL RD (M2)								
CAP050450440CT	CAP, 5/45 MFD/440V/DUAL RD (M1, M3, M4)								
ZPS49K6EPFV130	COMP 49000,208/230/60/1 (M6)								
ZP40K6EPFV120	COMP, 53700, 208/230/60/1 (M5)								
ZP25K5EPFV130	COMP,25200,208/230/60/1 (M2)								
ZP29K5EPFV130	COMP,29000,208/230/60/1 (M3)								
ZP34K5EPFV130	COMP,34500,208/230/60/1 (M4)								
CONT1P030024V	CONT, 1 POLE, 30 AMP, 24 VAC (M1, M2, M3, M4, M5)								
CONT2P040024V	CONT, 2 POLE, 40 AMP, 24 VAC (M6)								
0131M00749M	CONTROLLERLESS MOTOR (M6)								
0131M00750M	CONTROLLERLESS MOTOR (M1, M2, M3)								
0131M00747M	CONTROLLERLESS MOTOR (M4, M5)								
0150G00002	FAN BLADE SWP/W (M2)								
0150M00008	FAN BLADE, 22" TNT2203-25 (M1)								
0130F00762	FLAME SENSOR								
0151M00094	GAS VALVE ULN								
0130M00074	HIGH PRESSURE SWITCH								
0130G00014	ID PLUG (M4, M5, M6)								
0130M00684	IGNITION MODULE								
0130M00722	IGNITOR ULN SPARK ELECTRODE								
PCBBL216	INTERGRATED FURNACE CONTROLLER								
10728342	LIMIT SWITCH (M2, M3, M4, M5, M6)								
0131M00966	MOTOR VENT ID								
0131M00430	MOTOR, 1/3 HP, 1 SP, 6 PL (M5, M6)								
0131M00847	MOTOR, 1/4 HP, 1 SP, 6 PL (M2, M3, M4)								
0131M00979	MOTOR, 1/6 HP, 1SP, 8PL,AL (M1)								
0131G00125	PROGRAMMED CONTROLLER (M1)								
0131G00097	PROGRAMMED CONTROLLER (M2)								
0131G00102	PROGRAMMED CONTROLLER (M6)								
0131G00122	PROGRAMMED CONTROLLER (M3)								
0131G00124	PROGRAMMED CONTROLLER (M5)								
0131G00123	PROGRAMMED CONTROLLER (M4)								
0130G00019	SWITCH, HIGH LIMIT, ULN (M1)								
0130G00024	SWITCH, HIGH LIMIT, ULN (M4, M5, M6)								
0130G00021	SWITCH, HIGH LIMIT, ULN (M2, M3)								
0130G00033	SWITCH, HIGH LIMIT, ULN (M1)								
B1370772	TIME DELAY ICM 180SEC DELA								
0130M00685	TRANSDUCER PRESSURE SWITCH								
0130M00138	TRANSFORMER 208/230 24V								
0151M00075	VALVE-TXV R410A (M6)								
B1368016	WHEEL, BLOWER, 10X8 (M1, M2)								
D6723303	WHEEL-BLOWER (M3)								

SPECIAL PARTS

Top Panel and Cabinet Assembly



CABINET ASSEMBLY



Top Panel and Cabinet Assembly

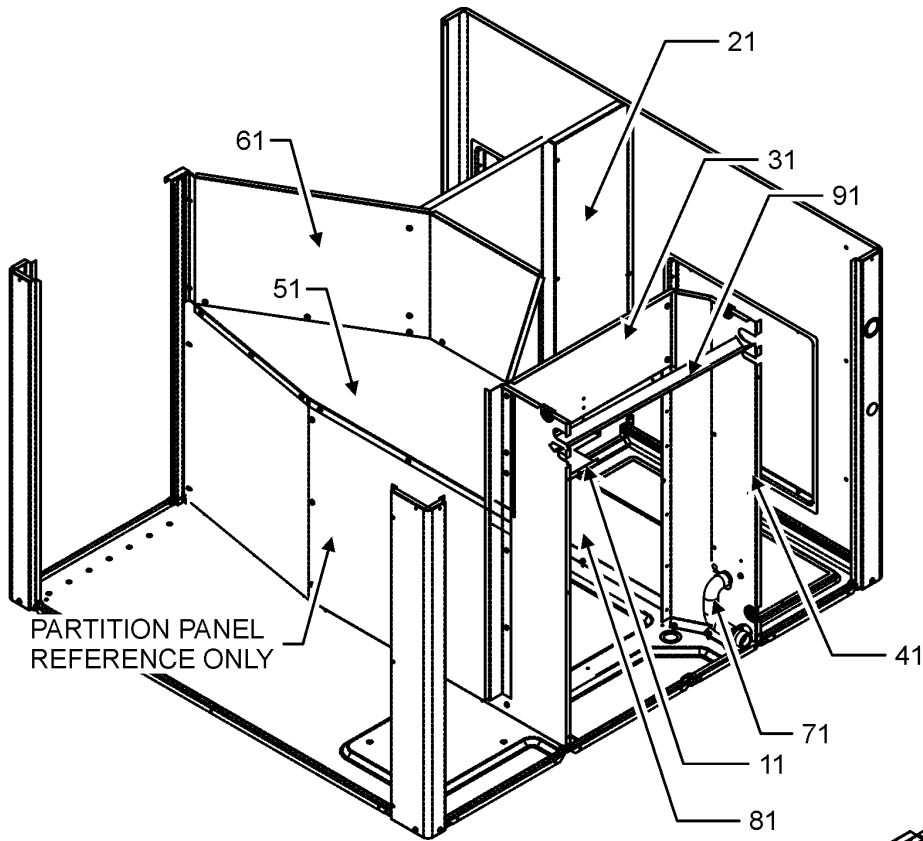
Ref. Part No: No:	Description:	Ref. Part No: No:	Description:
Image 1:			
11	0150G00003		BLADE, FAN 26 SWEPT WING (M3, M4, M5, M6)
11	0150G00002		FAN BLADE SWP/W (M2)
11	0150M00008		FAN BLADE, 22" TNT2203-25 (M1)
21	0131M00430		MOTOR, 1/3 HP, 1 SP, 6 PL (M5, M6)
21	0131M00847		MOTOR, 1/4 HP, 1 SP, 6 PL (M2, M3, M4)
21	0131M00979		MOTOR, 1/6 HP, 1SP, 8PL,AL (M1)
31	0152G00000		FAN GRILLE, RAISED (M2)
31	0152G00003		GRILLE-FAN (M1, M3, M4, M5, M6)
41	0121G00156PDG		TOP PANEL
51	M0221817		SMALL SCREW (QTY 6)
61	0163M00006P		ACORN NUT 5/16 HEX BLACK (QTY 4)
71	0161G00016		CONDUIT PVC
101	20464804PDG		DOOR-COMPRESSOR 38 (M1, M2, M3)
101	20464809PDG		DOOR-COMPRESSOR 40 W/PAINT (M4, M5, M6)
111	20467701PDG		PANEL - COND SIDE 32 W/PAINT (M1, M2, M3)
111	20467702PDG		PANEL - COND SIDE 40 W/PAINT (M4, M5, M6)
121	20466101PDG		UTILITY PANEL 32 W/PAINT (M1, M2, M3)
121	20466102PDG		UTILITY PANEL 40 W/PAINT (M4, M5, M6)
131	0121G00802DG		PNL, DUCT, GAS 32.5" PNT (M1, M2, M3)
131	0121G00803DG		PNL, DUCT, GAS 40" PNT (M4, M5, M6)
141	0121G00460		POST-SUPPORT, SIDE (M1, M2, M3)
141	0121G00615		POST-SUPPORT, SIDE 40 (M4, M5, M6)
161	0121G00728DG		PANEL-COND LOUVERED 32 (M1, M2, M3)
161	0121G00729DG		PANEL-COND LOUVERED 40 (M4, M5, M6)
171	20464801PDG		DOOR - BLOWER 32 W/PAINT (M1, M2, M3)
171	20464806PDG		DOOR - BLOWER 40 W/PAINT (M4, M5, M6)
181	20464802PDG		DOOR-EVAP/CONTROL 32 W/PAINT (M1, M2, M3)
181	20464807PDG		DOOR-EVAP/CONTROL 40 W/PAINT (M4, M5, M6)
191	0121G00526DG		DOOR-HT EXCHANGE 32 (M1, M2, M3)
191	0121G00527DG		DOOR-HT EXCHANGE 38 (M4, M5, M6)
241	0121G00290		RAIL, BASEPAN, PKG (QTY 2)
251	0121G00453DG		CORNER-POST COMP END, PNT (M3)
251	20464201PDG		CRNR POST-COMP END 32 W/PAINT (M1, M2)
251	0121G00455DG		CRNR POSTCOMP END 40 (M5, M6)
251	20464202PDG		CRNR POST-COMP END 40 W/PAINT (M4)
261	0121G00454DG		CORNER-POST HPIN END, PNT (M1, M2, M3)
261	0121G00456DG		CORNER-POST HPIN END, PNT (M4, M5, M6)
NS	TP-109B		AL COIL-APPROVED CLEANING LIST
NS	0270G00500		FLUE HOOD ASSY
NS	HI-116G		HOMEOWNERS MANUAL
NS	IOG-3021B		I & O MANUAL
NS	0161F00007		NAMEPLATE, GOODMAN
NS	PWCPKGPTYURB		PRODUCT WARRANTY

Expanded Model Nomenclature

- | |
|----------------------|
| M1 - GPU1424040M41AA |
| M2 - GPU1430060M41CA |
| M3 - GPU1436060M41CA |
| M4 - GPU1442080M41CA |
| M5 - GPU1448080M41CA |
| M6 - GPU1461080M41CA |

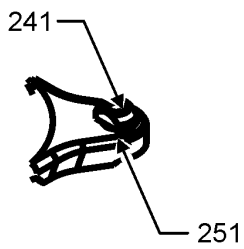
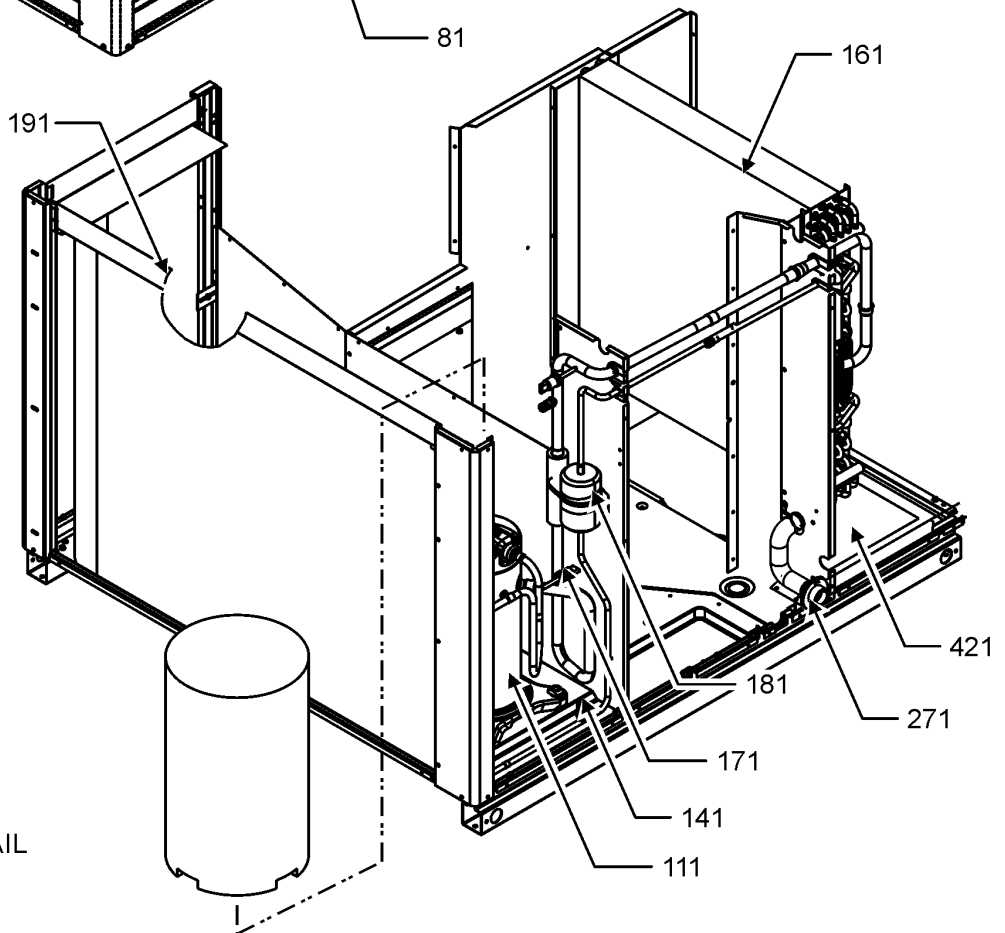
Partition and Tubing Assembly

PARTITION ASSEMBLY



TUBING ASSEMBLY

TUBING ASSEMBLY
MAY DIFFER FROM
WHAT IS SHOWN



COMPRESSOR LEG DETAIL

Partition and Tubing Assembly

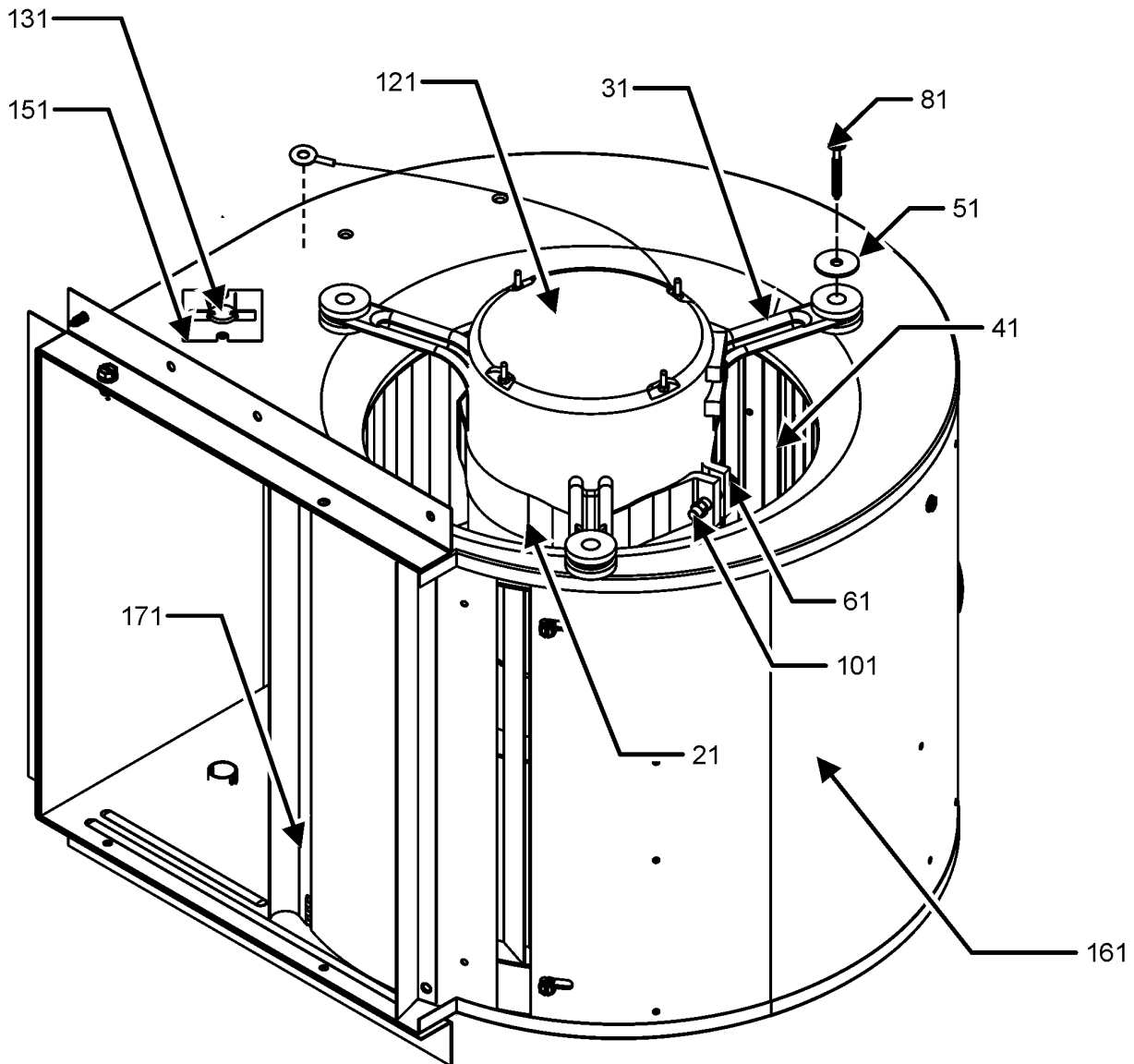
Ref. Part No:	Ref. Part No:	Description:	Description:
Image 1:		Image 1:	
11	20472501	SHIELD-HT TUBES	NS 0259G00083 HARNESS-CONTROL (M4, M5)
21	20465305	DIVIDER-BLOWER (M1, M2)	NS B1810011 HOSE CLAMP 1.25 (QTY 2)
21	20465304	DIVIDER-BLOWER 32 10X9 (M3)	NS 60100401 TERMINAL NUT - RECHI COMP (M1)
21	20465302	DIVIDER-BLOWER 38 (M4, M5, M6)	NS 0151M00075 VALVE-TXV R410A (M6)
31	0121G00894	PANEL FILLER HT EXCH 32 (M1, M2, M3)	NS 60100201 WASHER - RECHI COMPRESSOR (M1)
31	0121G00895	PANEL FILLER HT EXCH 40 (M4, M5, M6)	
41	0121G00757	DIVIDER, EVAP/HT EXCH 32 (M1, M2, M3)	
41	0121G00758	DIVIDER, EVAP/HT EXCH 38 (M4, M5, M6)	
51	20465701	FAN PARTITION SHELF	
61	20465801	SURROUND-FAN 32 (M1, M2, M3)	
61	20465802	SURROUND-FAN 40 (M4, M5, M6)	
71	20498302	TUBE-DRAIN 32 (M1, M2, M3)	
71	20498301	TUBE-DRAIN 40 (M4, M5, M6)	
81	20463802	BLOCK-EVAP/BPAN 32 (M1, M2, M3)	
81	20463801	BLOCK-EVAP/BPAN 40 (M4, M5, M6)	
91	0121G00555	DRAIN CHANNEL, SUCTION TUBE	
111	50N492ZV-ZAKM	2.0TONRECHI COMPR.4 LEGS (M1)	
111	ZPS49K6EPFV130	COMP 49000,208/230/60/1 (M6)	
111	ZP40K6EPFV120	COMP, 53700, 208/230/60/1 (M5)	
111	ZP25K5EPFV130	COMP,25200,208/230/60/1 (M2)	
111	ZP29K5EPFV130	COMP,29000,208/230/60/1 (M3)	
111	ZP34K5EPFV130	COMP,34500,208/230/60/1 (M4)	
141	B1373315	ACCESS FITTING (QTY 2)	
161	0202G00565	COIL TUBING ASSY (M1)	
161	0202G00566	COIL TUBING ASSY (M2)	
161	0202G00722	COIL TUBING ASSY (M6)	
161	0202G00746	COIL TUBING ASSY (M3)	
161	0202G00747	COIL TUBING ASSY (M4)	
161	0202G00748	COIL TUBING ASSY (M5)	
171	0130M00074	HIGH PRESSURE SWITCH	
181	0162G00007	SINGLE-FLOW FILTER DRIER,STL (M3, M4, M5, M6)	
181	0162G00008	SINGLE-FLOW FILTER DRIER,STL (M1, M2)	
191	0201G00463	COND COIL ASSY (M4)	
191	0201G00142	COND COIL TUBING ASSY (M1, M2)	
191	0201G00262	CONDENSER COIL ASSY (M3)	
191	0201G00369	CONDENSER COIL ASSY (M5, M6)	
241	M0221641	SCREW-SHOULDER TF (M2, M3, M4, M5, M6)	
251	B1339533	COMPRESSOR GROMMET (M2, M3, M4, M5, M6)	
271	20513001	EVAP DRAIN FITTING	
421	20464901DF	DRAIN PAN-EVAP COIL	
NS	B1373311	ACCESS VALVE FITTING (M6)	
NS	0259G00294	BLOWER HARNESS, 1STG, SHORT (M1, M2, M3)	
NS	0259G00280	BLOWER HARNESS, 2STG, TALL (M6)	
NS	0159G00001	CABLE COMP SCROLL (M6)	
NS	0163M00175	CAP WITH O-RING (QTY 2)	
NS	60140209	GROMMET - RECHI COMPRESSOR (M1)	
NS	0164M00111	GROMMET D (QTY 4)	
NS	0164M00023	GROMMET-HORSESHOE (M5, M6)	
NS	0164M00110	GROMMET-HORSESHOE (M1, M2, M3, M4)	
NS	20333401	GROMMET-HORSESHOE	
NS	20333501	GROMMET-HORSESHOE	
NS	20477501	GROMMET-HORSESHOE	
NS	0159G00005	HARNESS-COMP SCROLL (M6)	
NS	0159G00014	HARNESS-COMP SCROLL (M2, M3)	
NS	0159G00015	HARNESS-COMP SCROLL (M4, M5)	

Expanded Model Nomenclature

M1 - GPU1424040M41AA
M2 - GPU1430060M41CA
M3 - GPU1436060M41CA
M4 - GPU1442080M41CA
M5 - GPU1448080M41CA
M6 - GPU1461080M41CA

Blower Assembly

BLOWER ASSEMBLY



BLOWER ASSEMBLY MAY DIFFER FROM WHAT IS SHOWN

Blower Assembly

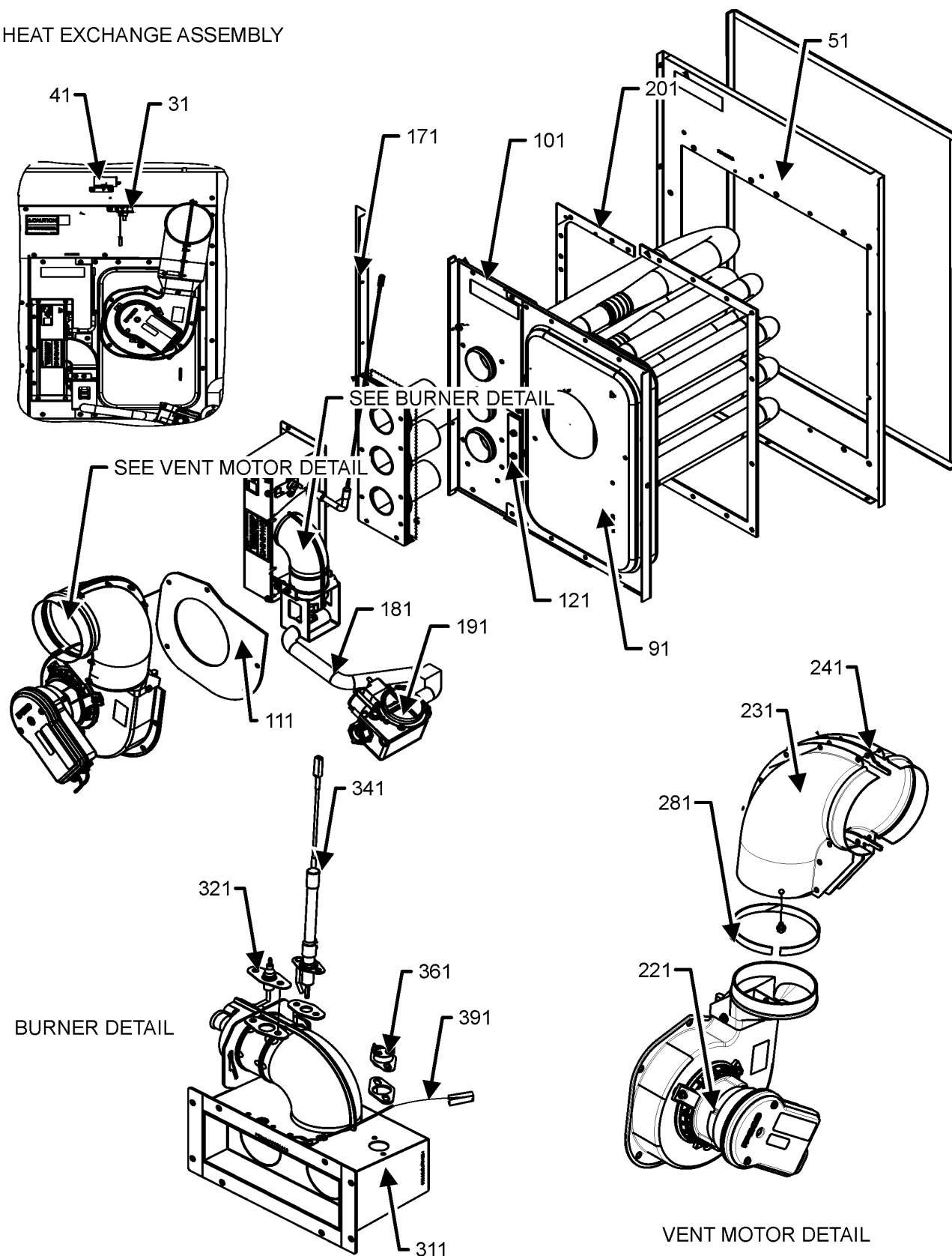
Ref. Part No:	Ref. Part No:	Description:	Description:
Image 1:			
21	0121M00038	MOTOR MOUNT BAND	
31	B1376857	MOTOR MOUNT ARM (QTY 3)	
41	B1368000	BLOWER WHEEL (11 X 10) (M4, M5, M6)	
41	B1368016	WHEEL, BLOWER, 10X8 (M1, M2)	
41	D6723303	WHEEL-BLOWER (M3)	
51	B1392918	WASHER FLAT 1/4 ID X 1 OD (QTY 3)	
61	B1393323	SCREW,MACHI HWH 1/4-20X1 1/2 BZ	
81	M0250565	TC SCREW 1.25" (QTY 3)	
101	B1393800	LOCKNUT, NYLON, INSERT 1/4, 20	
121	0131M00747M	CONTROLLERLESS MOTOR (M4, M5)	
121	0131M00749M	CONTROLLERLESS MOTOR (M6)	
121	0131M00750M	CONTROLLERLESS MOTOR (M1, M2, M3)	
121	0131G00097	PROGRAMMED CONTROLLER (M2)	
121	0131G00102	PROGRAMMED CONTROLLER (M6)	
121	0131G00122	PROGRAMMED CONTROLLER (M3)	
121	0131G00123	PROGRAMMED CONTROLLER (M4)	
121	0131G00124	PROGRAMMED CONTROLLER (M5)	
121	0131G00125	PROGRAMMED CONTROLLER (M1)	
131	20269903	LIMIT	
151	2509503	BRACKET F/ROLLOUT SWUT SWITCH	
161	0271G00025	BLOWER HOUSING ASSY (10X8) (M1, M2)	
161	0271G00024	BLOWER HOUSING ASSY (10X9) (M3)	
161	2539309	BLOWER HOUSING ASSY (11X10) (M4, M5, M6)	
171	764742	BLOCK OFF - BLOWER (M3)	
171	1864703	BLOWER CUT-OFF ASM,5TON,MORRIS (M4, M5, M6)	
171	764740	BLWR BLK-OFF,10X8 (M1, M2)	
NS	0121G00148	SINGLE COVER, DOWN DISCHARGE (QTY 2)	

Expanded Model Nomenclature

- | |
|----------------------|
| M1 - GPU1424040M41AA |
| M2 - GPU1430060M41CA |
| M3 - GPU1436060M41CA |
| M4 - GPU1442080M41CA |
| M5 - GPU1448080M41CA |
| M6 - GPU1461080M41CA |

Heat Exchange and Burner Assembly

HEAT EXCHANGE ASSEMBLY



HEAT EXCHANGE ASSEMBLY MAY DIFFER FROM WHAT IS SHOWN

Heat Exchange and Burner Assembly

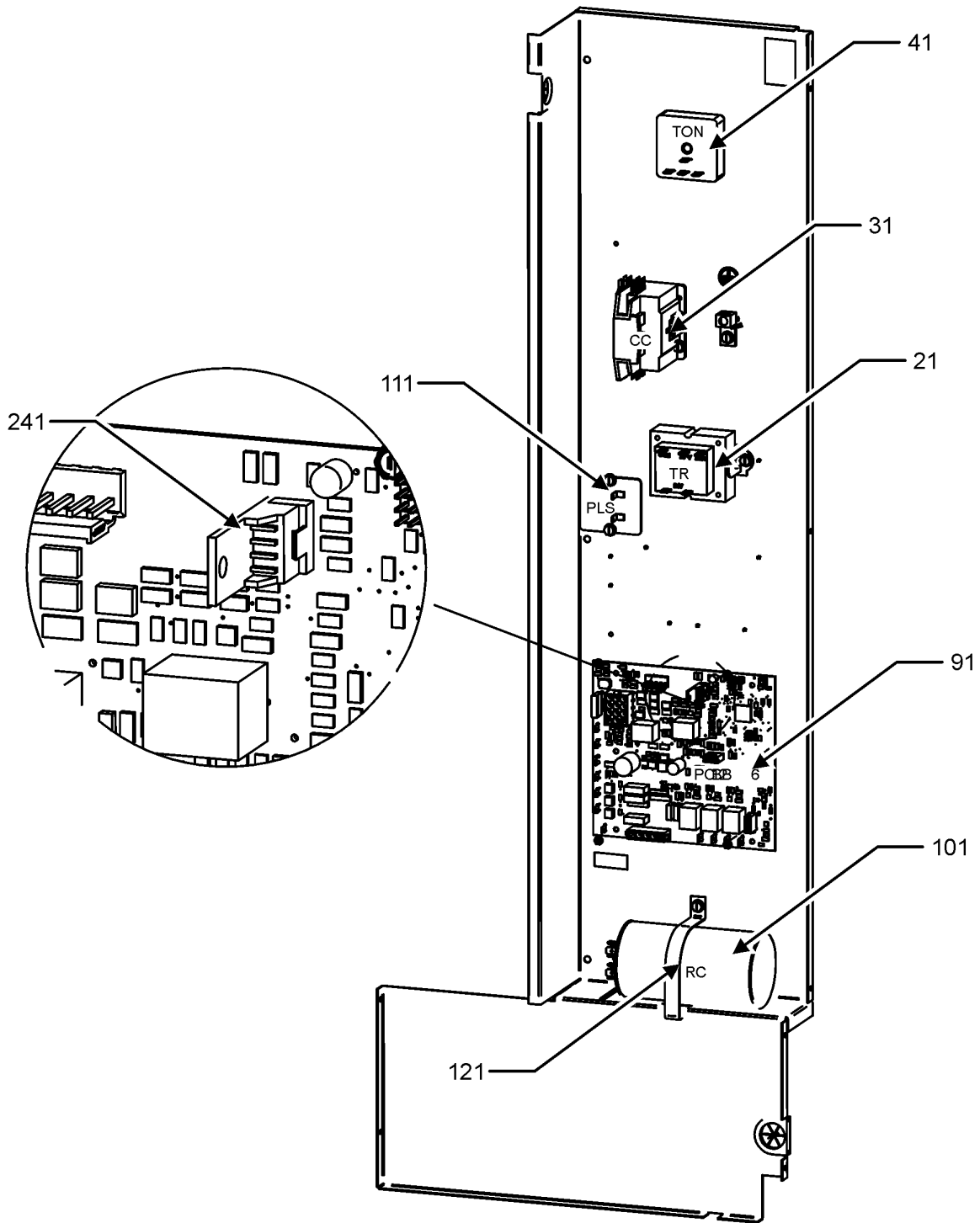
Ref. Part No:	Ref. Part No:	Description:	Description:
Image 1:			
31	0130M00685	TRANSDUCER PRESSURE SWITCH	
41	0130M00684	IGNITION MODULE	
51	0121G00852	PANEL BURNER (M4, M5, M6)	
51	0121G00813	PANEL, BURNER (M1)	
51	0121G00838	PANEL, BURNER (M2, M3)	
91	0121G00849	COLLECTOR BOX, 4.5" DIA (M1)	
91	0121G00850	COLLECTOR BOX, 4.5" DIA (M2, M3, M4, M5, M6)	
101	0257G00119	HEAT EXCHANGER ASSY (M1)	
101	0257G00121	HEAT EXCHANGER ASSY (M2, M3)	
101	0257G00122	HEAT EXCHANGER ASSY (M4, M5, M6)	
111	0154G00033	VENT MOTOR GASKET	
121	0121G00844	PLATE ULN HT EX LIMIT COVER	
171	0121G00839	BRACKET BURNER PANEL MOUNT (M2, M3, M4, M5, M6)	
171	0121G00815	BRACKET, BURNER PANEL MOUNT (M1)	
181	0263G00003	MANIFOLD ASSY (M1)	
181	0263G00006	MANIFOLD ASSY (M2, M3)	
181	0263G00009	MANIFOLD ASSY (M4, M5, M6)	
191	0151M00094	GAS VALVE ULN	
201	0154G00040	GASKET, HEAT EXCHANGER (M1)	
201	0154G00041	GASKET, HEAT EXCHANGER (M2, M3, M4, M5, M6)	
221	0131M00966	MOTOR VENT ID	
231	0121G00847	FLUE ELBOW LEFT	
241	0121G00848	FLUE ELBOW RIGHT	
281	0154G00038	GASKET INDUCER TRANSTION	
311	0163G00014	BURNER, ULN (M1)	
311	0163G00015	BURNER, ULN (M2, M3)	
311	0163G00016	BURNER, ULN (M4, M5, M6)	
321	0130F00762	FLAME SENSOR	
341	0130M00722	IGNITOR ULN SPARK ELECTRODE	
361	0130G00019	SWITCH, HIGH LIMIT, ULN (M1)	
361	0130G00021	SWITCH, HIGH LIMIT, ULN (M2, M3)	
361	0130G00024	SWITCH, HIGH LIMIT, ULN (M4, M5, M6)	
391	0259L01798	WIRE HARNESS ASSY	
NS	0121G00893	BRACKET IGN MODULE MOUNTING	
NS	0154G00031	FLUE GASKET ELBOW	
NS	0154G00032	FLUE GASKET ELBOW	
NS	0154F00068	GASKER ULN FLAME SENSOR	
NS	0154M00079	GASKET IULN IGNITOR	
NS	0154F00069	GASKET LIMIT ULN	
NS	0154G00034	ULN COLLECTOR BOX GASKET (M2, M3, M4, M5, M6)	
NS	0154G00036	ULN COLLECTOR BOX GASKET (M1)	
NS	0154G00030	ULN LIMIT COVER GASKET	

Expanded Model Nomenclature

- | |
|----------------------|
| M1 - GPU1424040M41AA |
| M2 - GPU1430060M41CA |
| M3 - GPU1436060M41CA |
| M4 - GPU1442080M41CA |
| M5 - GPU1448080M41CA |
| M6 - GPU1461080M41CA |

Control Panel Assembly

CONTROL BOX ASSEMBLY



CONTROL BOX ASSEMBLY MAY DIFFER FROM WHAT IS SHOWN

Control Panel Assembly

Ref. Part No:	Part No:	Description:	Ref. Part No:	Part No:	Description:
---------------	----------	--------------	---------------	----------	--------------

Image 1:

21	0130M00138	TRANSFORMER 208/230 24V
31	CONT1P030024V	CONT, 1 POLE, 30 AMP, 24 VAC (M1, M2, M3, M4, M5)
31	CONT2P040024V	CONT, 2 POLE, 40 AMP, 24 VAC (M6)
41	B1370772	TIME DELAY ICM 180SEC DELA
91	PCBBL216	INTERGRATED FURNACE CONTROLLER
101	CAP100450440CS	CAP, 10/45 MFD/ 440V DUAL RD (M5, M6)
101	CAP050400440CT	CAP, 5/40 MFD/440V/DUAL RD (M2)
101	CAP050450440CT	CAP, 5/45 MFD/440V/DUAL RD (M1, M3, M4)
111	10728342	LIMIT SWITCH (M2, M3, M4, M5, M6)
111	0130G00033	SWITCH, HIGH LIMIT, ULN (M1)
121	20520901	STRAP-CAPACITOR
241	0130G00014	ID PLUG (M4, M5, M6)
NS	0259G00294	BLOWER HARNESS, 1STG, SHORT (M1, M2, M3)
NS	0259G00280	BLOWER HARNESS, 2STG, TALL (M6)
NS	0259G00083	HARNESS-CONTROL (M4, M5)
NS	B1378533	LUG GROUND SMALL 4T

Expanded Model Nomenclature

- | |
|----------------------|
| M1 - GPU1424040M41AA |
| M2 - GPU1430060M41CA |
| M3 - GPU1436060M41CA |
| M4 - GPU1442080M41CA |
| M5 - GPU1448080M41CA |
| M6 - GPU1461080M41CA |