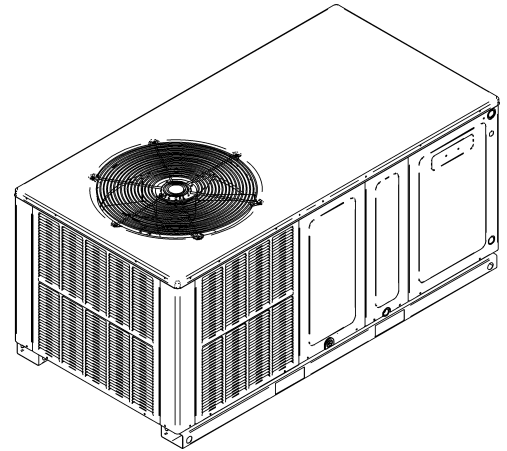




REPAIR PARTS

GPHH5 Horizontal Package Heat Pump

GPHH52441AA
GPHH53041AA
GPHH53641AA
GPHH54241AA
GPHH54841AA
GPHH56041AA



This manual is to be used by qualified technicians only.

© 2022 Goodman Manufacturing Company, L.P. ♦ 5151 San Felipe St, Suite 500 ♦ Houston, TX 77056

Important Information

Index

Functional Parts List	3
Illustration and Parts	4 - 11

Views shown are for parts illustrations only, not servicing procedures.

Text Codes:

AR - As Required

NA - Not Available

NS - Not Shown

00000000 - See Note

QTY - Quantity Example (QTY 3) (If Quantity not shown, Quantity = 1)

M - Model Example (M1) (If M Code not shown, then part is used on all Models)

Expanded Model Nomenclature:

Example M1 - Model#1 M2 - Model#2 M3 - Model#3

Goodman Manufacturing Company, L.P. is not responsible for personal injury or property damage resulting from improper service. Review all service information before beginning repairs.

Warranty service must be performed by an authorized technician, using authorized factory parts. If service is required after the warranty expires, Goodman Manufacturing Company, L.P. also recommends contacting an authorized technician and using authorized factory parts.

Goodman Manufacturing Company, L.P. reserves the right to discontinue, or change at any time, specifications or designs without notice or without incurring obligations.

For assistance within the U.S.A. contact:
Homeowner Support
Goodman Manufacturing Company, L.P.
19001 Kermier Road
Waller, Texas 77484
877-254-4729-Telephone
713-863-2382-Facsimile

For assistance outside the U.S.A. contact:
International Division
Goodman Manufacturing Company, L.P.
19001 Kermier Road
Waller, Texas 77484
713-861-2500-Telephone
713-863-2382-Facsimile

Functional Parts

Part

No: Description:

0150G00004	BLADE, FAN 24 OA SERIES (M4, M5, M6)
B1368054	BLOWR WHEEL (11X8, CLOCKWISE) (M6)
CAP050350440CS	CAP, 5/35 MFD/440V/DUAL RD (M2)
CAB050400440CT	CAP, 5/40 MFD/440V RD - BPRF (M1, M6)
CAB050450440CT	CAP, 5/45 MFD/440V RD - BPRF (M3)
CAP050300440CS	CAP,5/30MFD/440V/DUAL RD (M4, M5)
ZPS51K7EPFV130	COMP 49000,208/230/60/1 (M6)
ZP25K7EPFV130	COMP, 208/230/60/1 (M2)
ZPS35K6EPFV130	COMP, 37200, 208/230/60/1 (M4)
ZP29K6EPFV120	COMP, 39700, 208/230/60/1 (M3)
ZP21K5EPFV130	COMP,21300,208/230/60/1 (M1)
ZPS40K5EPFV130	COMP,41100,208/230/60/1 (M5)
CONT1P030024V	CONT, 1 POLE, 30 AMP, 24 VAC (M1, M2, M3, M4)
CONT2P040024V	CONT, 2 POLE, 40 AMP, 24 VAC (M5, M6)
0130M00099	CONTROL DEFROST
0131M00750M	CONTROLLERLESS MOTOR (M1, M2, M3, M4)
0131M00747M	CONTROLLERLESS MOTOR (M5, M6)
0150M00055	FAN BLADE, 22" (M1, M2)
B1086765	FAN BLADE, TYPE 3 (M3)
0130M00280	HIGH PRESSURE SWITCH (M6)
0130M00074	HIGH PRESSURE SWITCH (M1, M2, M3, M4, M5)
0130M00075	LOW PRESSUE SWITCH
0131M00847	MOTOR, 1/4 HP, 1 SP, 6 PL (M4, M5, M6)
0131M00836	MOTOR, 1/4HP,1SP,8PL,AL (M3)
0131M00979	MOTOR, 1/6 HP, 1SP, 8PL,AL (M1, M2)
PCBDM133	PCB DEFROST CONTROL
0131G00134	PROGRAMMED CONTROLLER (M3)
0131G00137	PROGRAMMED CONTROLLER (M6)
0131G00135	PROGRAMMED CONTROLLER (M4)
0131G00132	PROGRAMMED CONTROLLER (M1)
0131G00133	PROGRAMMED CONTROLLER (M2)
0131G00136	PROGRAMMED CONTROLLER (M5)
0130M00242	RELAY 24V (M4, M5, M6)
0151R00069	REVERSING VALVE (M1, M2)
0151R00071	REVERSING VALVE (M3, M4, M5, M6)
B1225022	SOLENOID COIL
0130M00138	TRANSFORMER, 208/230, 24V
0151M00078	VALVE TXV R410A (M1, M2, M3, M4)
0151M00075	VALVE TXV R410A (M5, M6)
B1368016	WHEEL, BLOWER, 10X8 (M1, M2, M3, M4, M5)

Expanded Model Nomenclature

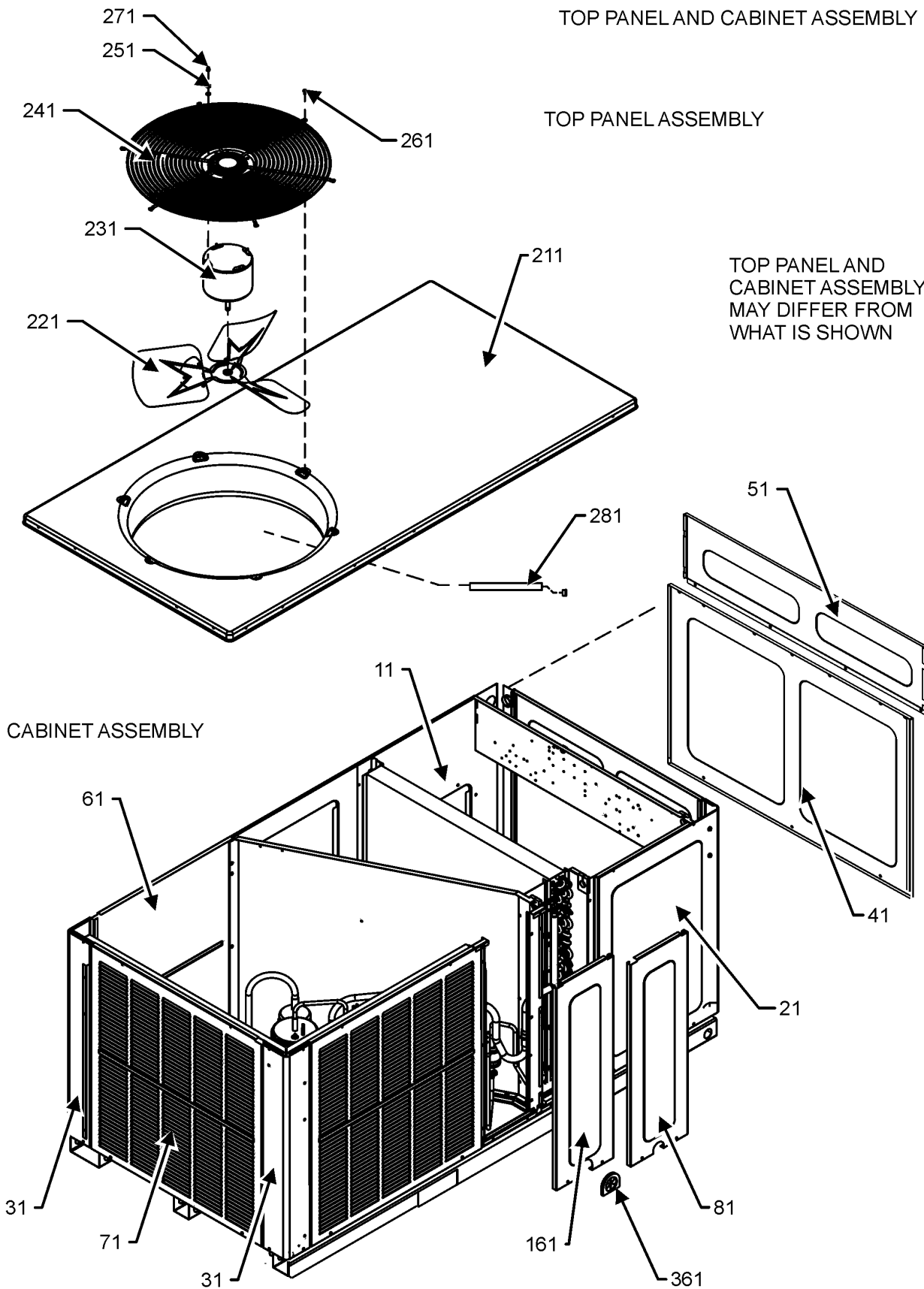
M1 - GPHH52441AA
M2 - GPHH53041AA
M3 - GPHH53641AA
M4 - GPHH54241AA
M5 - GPHH54841AA
M6 - GPHH56041AA

Top Panel and Cabinet Assembly

TOP PANEL AND CABINET ASSEMBLY

TOP PANEL ASSEMBLY

TOP PANEL AND CABINET ASSEMBLY MAY DIFFER FROM WHAT IS SHOWN



Top Panel and Cabinet Assembly

Ref. Part No:	Part No:	Description:	Ref. Part No:	Part No:	Description:
---------------	----------	--------------	---------------	----------	--------------

Image 1:

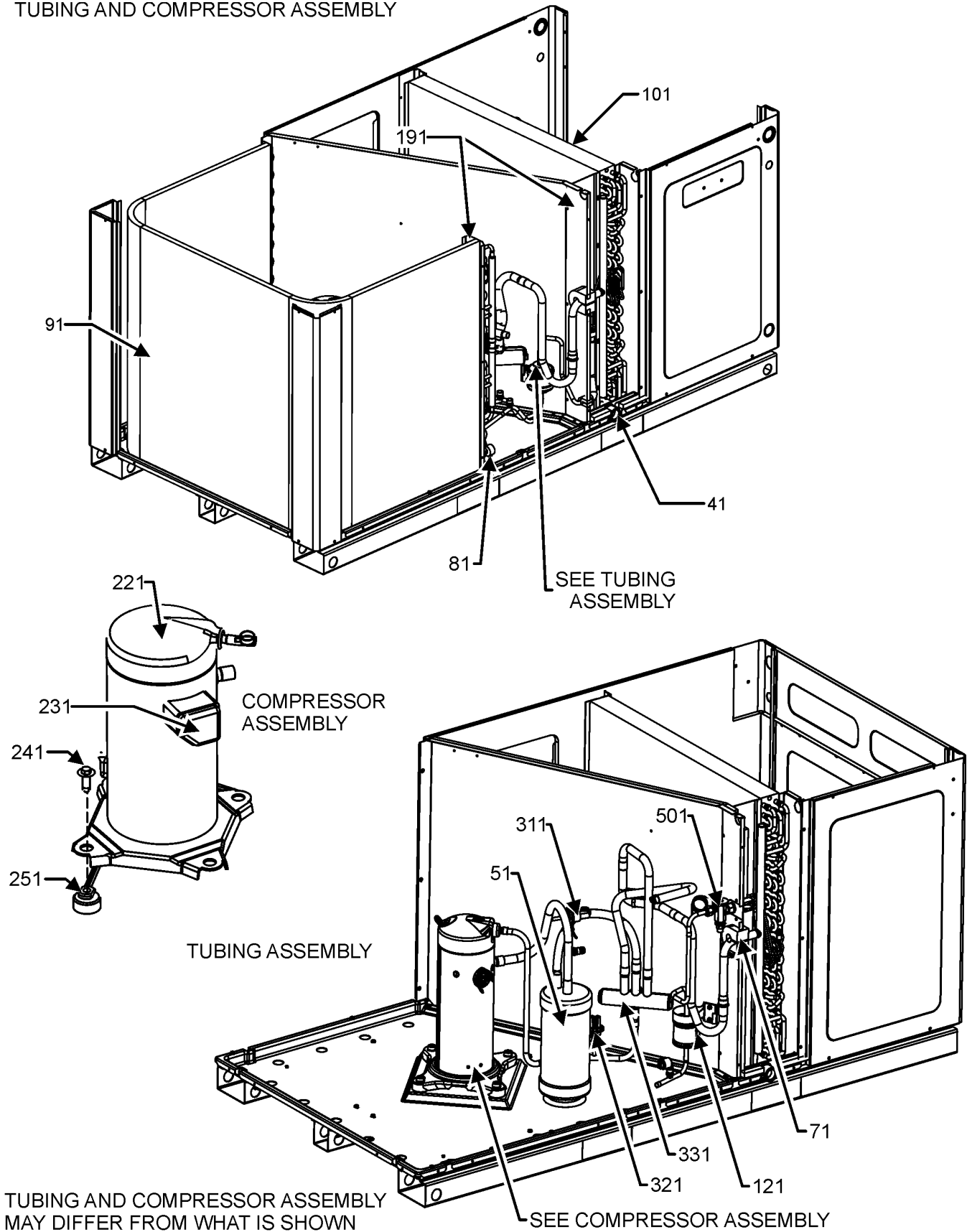
11	0121G00667PDG	PNL, DUCT 27.5" (M1, M2)
11	0121G00668PDG	PNL, DUCT, 32.5" (M3, M4, M5)
11	0121G00669PDG	PNL, DUCT, 36" (M6)
21	0121G00664DG	PNL, CORNER, 27.5" (M1, M2)
21	0121G00665DG	PNL, CORNER, 32.5" (M3, M4, M5)
21	0121G00666DG	PNL, CORNER, 36" (M6)
31	0121G00047PDG	POST, COR, 27.5" (M1, M2)
31	0121G00048PDG	POST, COR, 32.5" (M3, M4, M5)
31	0121G00082PDG	POST, COR, 36" (M6)
41	0121G00271DG	PNL, EXT BLOWER, 27.5" (M1, M2)
41	0121G00272DG	PNL, EXT BLOWER, 32.5" (M3, M4, M5)
41	0121G00273DG	PNL, EXT BLOWER, 36" (M6)
51	0121G00276DG	EXTERNAL CONTROL BOX PANEL
61	0121G00090PDG	PNL, 4BANK 36" LVR (M6)
61	0121G00069PDG	PNL, LVR, 27.5" 4BANK (M1, M2)
61	0121G00070PDG	PNL, LVR, 32.5" 4BANK (M3, M4, M5)
71	0121G00091PDG	PNL, 5 BANK 36" LVR (M6)
71	0121G00072PDG	PNL, LVR, 27.5" 5BANK (M1, M2)
71	0121G00073PDG	PNL, LVR, 32.5" 5BANK (M3, M4, M5)
81	0121G00089PDG	PNL, 36" EXT EVAP RMV (M6)
81	0121G00065PDG	PNL, EVAP, 8.75" X 27.5" (M1, M2)
81	0121G00066PDG	PNL, EVAP, 8.75" X 32.5" (M3, M4, M5)
161	0121G00711DG	PNT, COMPRESSOR PANEL (M1, M2)
161	0121G00712DG	PNT, COMPRESSOR PANEL (M3, M4, M5)
161	0121G00715DG	PNT, COMPRESSOR PANEL (M6)
211	0121G00274DG	TOP PANEL PAINTED
221	0150G00004	BLADE, FAN 24 OA SERIES (M4, M5, M6)
221	0150M00055	FAN BLADE, 22" (M1, M2)
221	B1086765	FAN BLADE, TYPE 3 (M3)
231	0131M00847	MOTOR, 1/4 HP, 1 SP, 6 PL (M4, M5, M6)
231	0131M00836	MOTOR, 1/4HP,1SP,8PL,AL (M3)
231	0131M00979	MOTOR, 1/6 HP, 1SP, 8PL,AL (M1, M2)
241	0152G00003	FAN GRILLE
251	0163M00005P	WASHER, BLACK (.50 OD .218ID) (QTY 4)
261	M0221817	SMALL SCREW (QTY 6)
271	0163M00006P	ACORN NUT 5/16 HEX BLACK (QTY 4)
281	0161G00016	CONDUIT PVC
361	0164G00005	GROMMET-HORSESHOE 1.675
NS	B1392012	GROMMET / HS 1.0 - .79

Expanded Model Nomenclature

M1 - GPHH52441AA
M2 - GPHH53041AA
M3 - GPHH53641AA
M4 - GPHH54241AA
M5 - GPHH54841AA
M6 - GPHH56041AA

Tubing and Compressor Assembly

TUBING AND COMPRESSOR ASSEMBLY



Tubing and Compressor Assembly

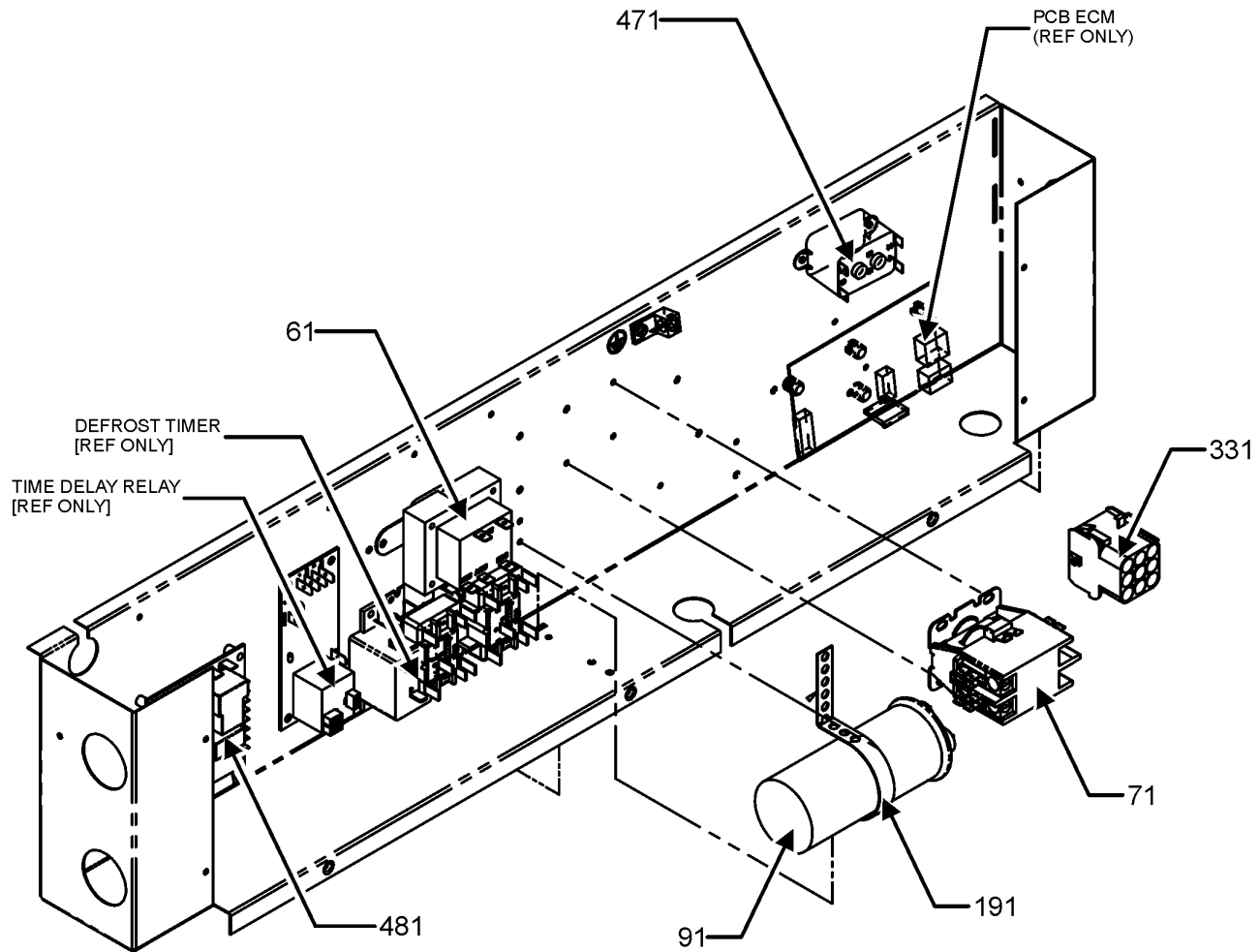
Ref. Part No:	Part No:	Description:	Ref. Part No:	Part No:	Description:
Image 1:					
41	0161G00000P	DRIP PAN			
51	B1226206	ACCUMULATOR (M1, M2)			
51	B1226207	ACCUMULATOR (M3, M4, M5, M6)			
71	20333501	GROMMET-HORSESHOE (M6)			
81	0130M00099	CONTROL DEFROST			
91	0201G00434	COND ASSEMBLY (M6)			
91	0201G00376	COND COIL ASSY (M3)			
91	0201G00435	COND COIL ASSY (M5)			
91	0201G00436	COND COIL ASSY (M4)			
91	0201G00439	COND COIL ASSY (M1, M2)			
101	0202G00651	EVAP COIL ASSY (M3, M4)			
101	0202G00663	EVAP COIL ASSY (M5)			
101	0202G00665	EVAP COIL ASSY (M1, M2)			
101	0202G00721	EVAP COIL TUBING ASSY (M6)			
121	0162G00009	BI-FLOW FILTER DRIER,STEEL (M6)			
121	0162R00056	FILTER/DRIER-BI-FLOW (M1, M2, M3, M4, M5)			
191	0121G00045P	POST 27.5" (M1, M2)			
191	0121G00079P	POST 32.5" (M3, M4, M5)			
191	0121G00083P	POST, 36" (M6)			
221	ZPS51K7EPFV130	COMP 49000,208/230/60/1 (M6)			
221	ZP25K7EPFV130	COMP, 208/230/60/1 (M2)			
221	ZPS35K6EPFV130	COMP, 37200, 208/230/60/1 (M4)			
221	ZP29K6EPFV120	COMP, 39700, 208/230/60/1 (M3)			
221	ZP21K5EPFV130	COMP,21300,208/230/60/1 (M1)			
221	ZPS40K5EPFV130	COMP,41100,208/230/60/1 (M5)			
231	0159G00004	COMPRESSOR SCROLL HARNESS			
241	M0221641	TF SHOULDER SCREW (QTY 4)			
251	B1339533	GROMMET, COMPRESSOR (SCROLL & (QTY 4)			
311	0130M00075	LOW PRESSUE SWITCH			
321	0130M00074	HIGH PRESSURE SWITCH (M1, M2, M3, M4, M5)			
321	0130M00280	HIGH PRESSURE SWITCH (M6)			
331	0151R00069	REVERSING VALVE (M1, M2)			
331	0151R00071	REVERSING VALVE (M3, M4, M5, M6)			
501	0151M00075	VALVE TXV R410A (M5, M6)			
501	0151M00078	VALVE TXV R410A (M1, M2, M3, M4)			
NS	B1373315	ACCESS FITTING (QTY 2)			
NS	0121G00325	BASE PAN SUPPORT RAIL			
NS	0121G00044PRF	BASEPAN RAIL (QTY 2)			
NS	0159G00010	CABLE COMPR SOL (M4, M5, M6)			
NS	0163M00175	CAP WITH O-RING (QTY 2)			
NS	0128G00052	EVAP DRIP SHIELD			
NS	0121G00046P	PAN,BASE			
NS	0121G00639	PL, FRONT EVAP, BLK-OFF 27" (M1, M2)			
NS	0121G00640	PL, FRONT EVAP, BLK-OFF 32" (M3, M4, M5)			
NS	0121G00641	PL, FRONT EVAP, BLK-OFF 36" (M6)			
NS	B1225022	SOLENOID COIL			

Expanded Model Nomenclature

M1 - GPHH52441AA
M2 - GPHH53041AA
M3 - GPHH53641AA
M4 - GPHH54241AA
M5 - GPHH54841AA
M6 - GPHH56041AA

Control Box Assembly

CONTROL BOX ASSEMBLY



CONTROL BOX ASSEMBLY MAY DIFFER FROM WHAT IS SHOWN

Control Box Assembly

Ref. Part No:	No:	Description:	Ref. Part No:	No:	Description:
---------------	-----	--------------	---------------	-----	--------------

Image 1:

61	0130M00138	TRANSFORMER, 208/230, 24V
71	CONT1P030024V	CONT, 1 POLE, 30 AMP, 24 VAC (M1, M2, M3, M4)
71	CONT2P040024V	CONT, 2 POLE, 40 AMP, 24 VAC (M5, M6)
91	CAP050350440CS	CAP, 5/35 MFD/440V/DUAL RD (M2)
91	CAB050400440CT	CAP, 5/40 MFD/440V RD - BPRF (M1, M6)
91	CAB050450440CT	CAP, 5/45 MFD/440V RD - BPRF (M3)
91	CAP050300440CS	CAP,5/30MFD/440V/DUAL RD (M4, M5)
191	20520901	CAPACITOR STRAP
331	0259G00003	WIRE HARN-ELECT HT
471	0130M00242	RELAY 24V (M4, M5, M6)
481	PCBDM133	PCB DEFROST CONTROL

Expanded Model Nomenclature

- | |
|------------------|
| M1 - GPHH52441AA |
| M2 - GPHH53041AA |
| M3 - GPHH53641AA |
| M4 - GPHH54241AA |
| M5 - GPHH54841AA |
| M6 - GPHH56041AA |

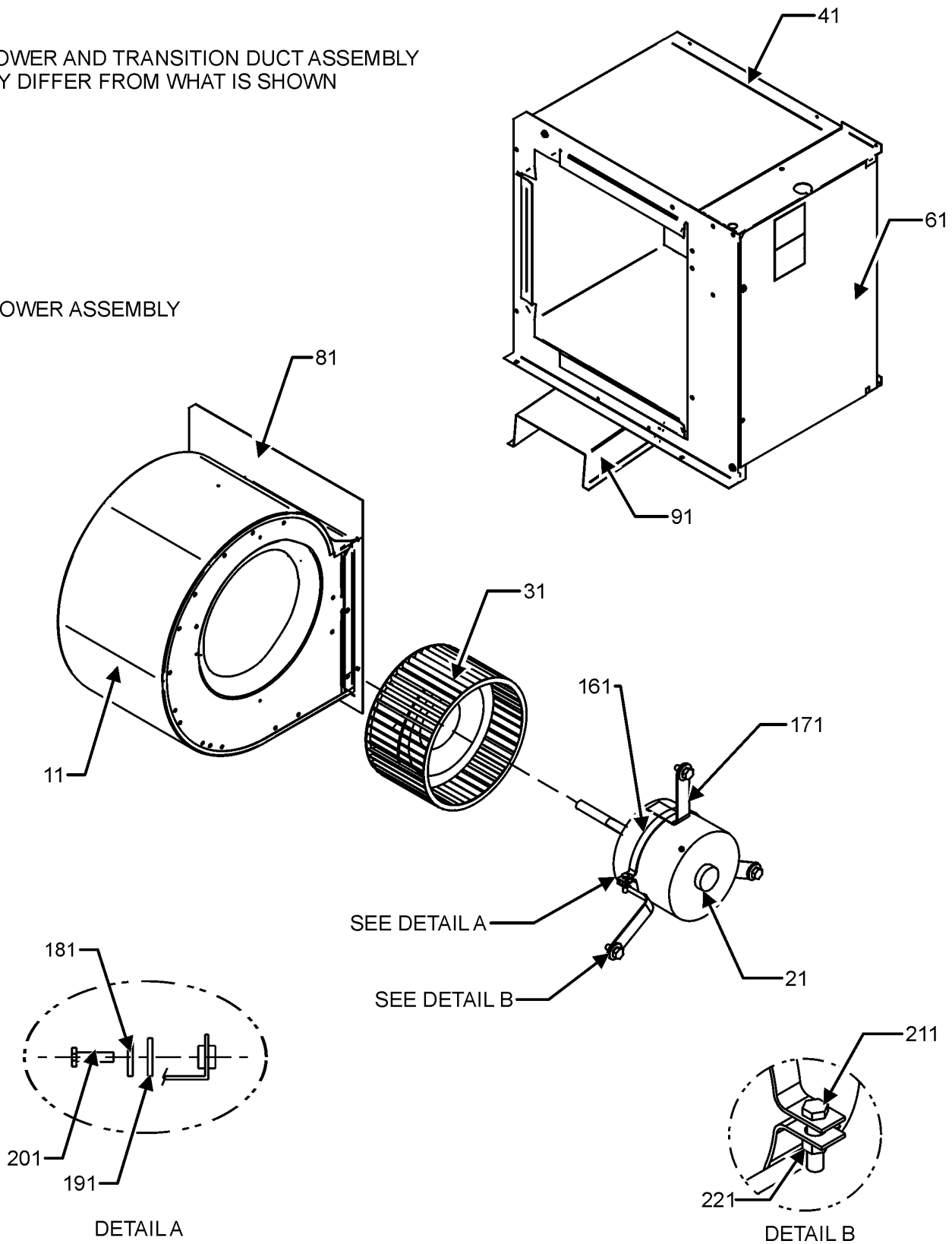
Blower and Transition Duct Assembly

BLOWER AND TRANSITION DUCT ASSEMBLY

TRANSITION DUCT ASSEMBLY

BLOWER AND TRANSITION DUCT ASSEMBLY
MAY DIFFER FROM WHAT IS SHOWN

BLOWER ASSEMBLY



Blower and Transition Duct Assembly

Ref. Part No:	Ref. Part No:	Description:	Description:
Image 1:			
11	0271G00355	BLOWER SHELL ASSY 11X8 (M6)	
11	10324248	HSG WELD- 10X8 BWR (M1, M2, M3, M4, M5)	
21	0131M00747M	CONTROLLERLESS MOTOR (M5, M6)	
21	0131M00750M	CONTROLLERLESS MOTOR (M1, M2, M3, M4)	
21	0131G00132	PROGRAMMED CONTROLLER (M1)	
21	0131G00133	PROGRAMMED CONTROLLER (M2)	
21	0131G00134	PROGRAMMED CONTROLLER (M3)	
21	0131G00135	PROGRAMMED CONTROLLER (M4)	
21	0131G00136	PROGRAMMED CONTROLLER (M5)	
21	0131G00137	PROGRAMMED CONTROLLER (M6)	
31	B1368054	BLOWR WHEEL (11X8, CLOCKWISE) (M6)	
31	B1368016	WHEEL, BLOWER, 10X8 (M1, M2, M3, M4, M5)	
41	0270G00025P	TRANSITION DUCT ASSY-ALL	
61	0121G00726	HEATER KIT COVER	
81	0121G00035P	BLOWER MOUNT 10 X 8 (M1, M2, M3, M4, M5)	
81	0121G00128P	MT BLOWER (M6)	
91	0121G00040P	SPRT BLO	
161	0121M00038	MOTOR MOUNT BAND	
171	0171M00012	MOTOR MOUNT ARM (M1, M2, M3, M4, M5)	
171	B1376857	MOTOR MOUNT ARM (M6)	
181	B1392820	WASHER, SPLIT LOCK 1/4 BZ (QTY 3)	
191	B1392918	WASHER, FLAT 1/4 ID X 1 OD (QTY 3)	
201	M0250565	TC SCREW 1.25" (QTY 3)	
211	B1393323	MACHINE SCREW HWH 1/4-20 X 1-1/2 BZ	
221	B1393800	LOCKNUT, NYLON, INSERT 1/4, 20	
NS	2964700	BLOWER CUTOFF (11X8) (M6)	
NS	C6121810	CUTOFF CO FUR (M1, M2, M3, M4, M5)	

Expanded Model Nomenclature

M1 - GPHH52441AA
M2 - GPHH53041AA
M3 - GPHH53641AA
M4 - GPHH54241AA
M5 - GPHH54841AA
M6 - GPHH56041AA