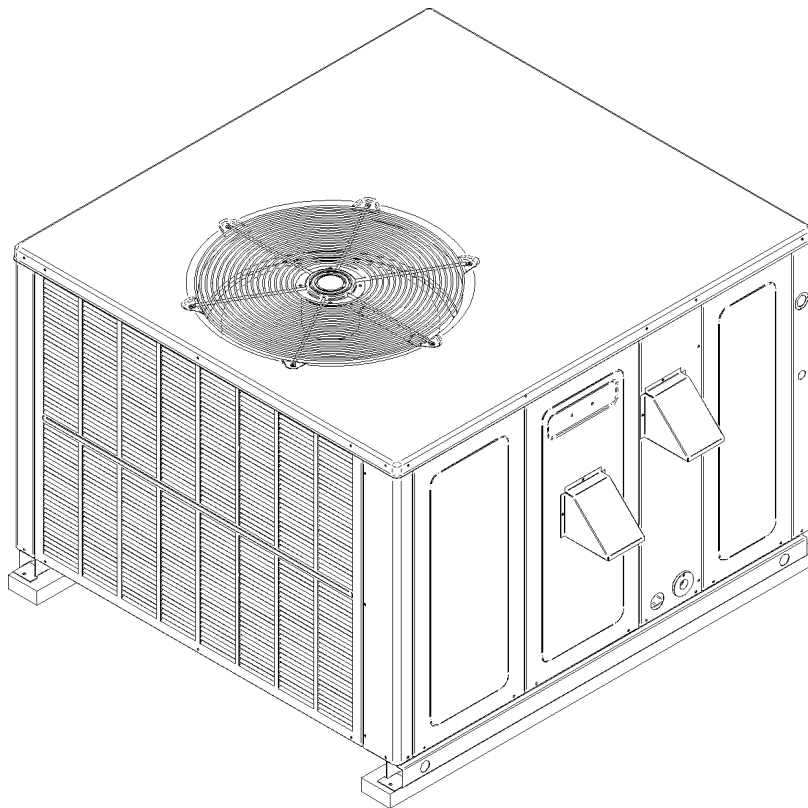


# REPAIR PARTS

## [A/G]PG15 Package Gas-Electric Units

---

APG152407041AA  
APG153009041AA  
APG153609041AA  
APG153609041AB  
APG153709041AA  
APG154211541AA  
APG154811541AA  
APG154811541AB  
APG154911541AA  
APG156014041AA  
APG156014041AB  
GPG152407041AA  
GPG153009041AA  
GPG153609041AA  
GPG153609041AB  
GPG153709041AA  
GPG154211541AA  
GPG154811541AA  
GPG154811541AB  
GPG154911541AA  
GPG156014041AA  
GPG156014041AB



This manual is to be used by qualified technicians only.

This manual replaces RP-446B.

© 2007-2009 Goodman Manufacturing Company, L.P. ♦ 5151 San Felipe, Suite 500 ♦ Houston, TX 77056

# Important Information

---

## Index

Functional Parts List .....	3
Illustration and Parts .....	4 - 15

*Views shown are for parts illustrations only, not servicing procedures.*

Rev. C: Added models GPG153009041AA, GPG153709041AA, GPG154211541AA, GPG154911541AA, APG153009041AA, APG153709041AA, APG154211541AA, and APG154911541AA.

### Text Codes:

AR - As Required

NA - Not Available

NS - Not Shown

00000000 - See Note

QTY - Quantity Example (QTY 3) (If Quantity not shown, Quantity = 1)

M - Model Example (M1) (If M Code not shown, then part is used on all Models)

### Expanded Model Nomenclature:

Example
M1 - Model#1
M2 - Model#2
M3 - Model#3

Goodman Manufacturing Company, L.P. is not responsible for personal injury or property damage resulting from improper service. Review all service information before beginning repairs.

Warranty service must be performed by an authorized technician, using authorized factory parts. If service is required after the warranty expires, Goodman Manufacturing Company, L.P. also recommends contacting an authorized technician and using authorized factory parts.

Goodman Manufacturing Company, L.P. reserves the right to discontinue, or change at any time, specifications or designs without notice or without incurring obligations.

For assistance within the U.S.A. contact:  
Consumer Affairs Department  
Goodman Manufacturing Company, L.P.  
7401 Security Way  
Houston, Texas 77040  
877-254-4729-Telephone  
713-863-2382-Facsimile

For assistance outside the U.S.A. contact:  
International Division  
Goodman Manufacturing Company, L.P.  
7401 Security Way  
Houston, Texas 77040  
713-861-2500-Telephone  
713-863-2382-Facsimile

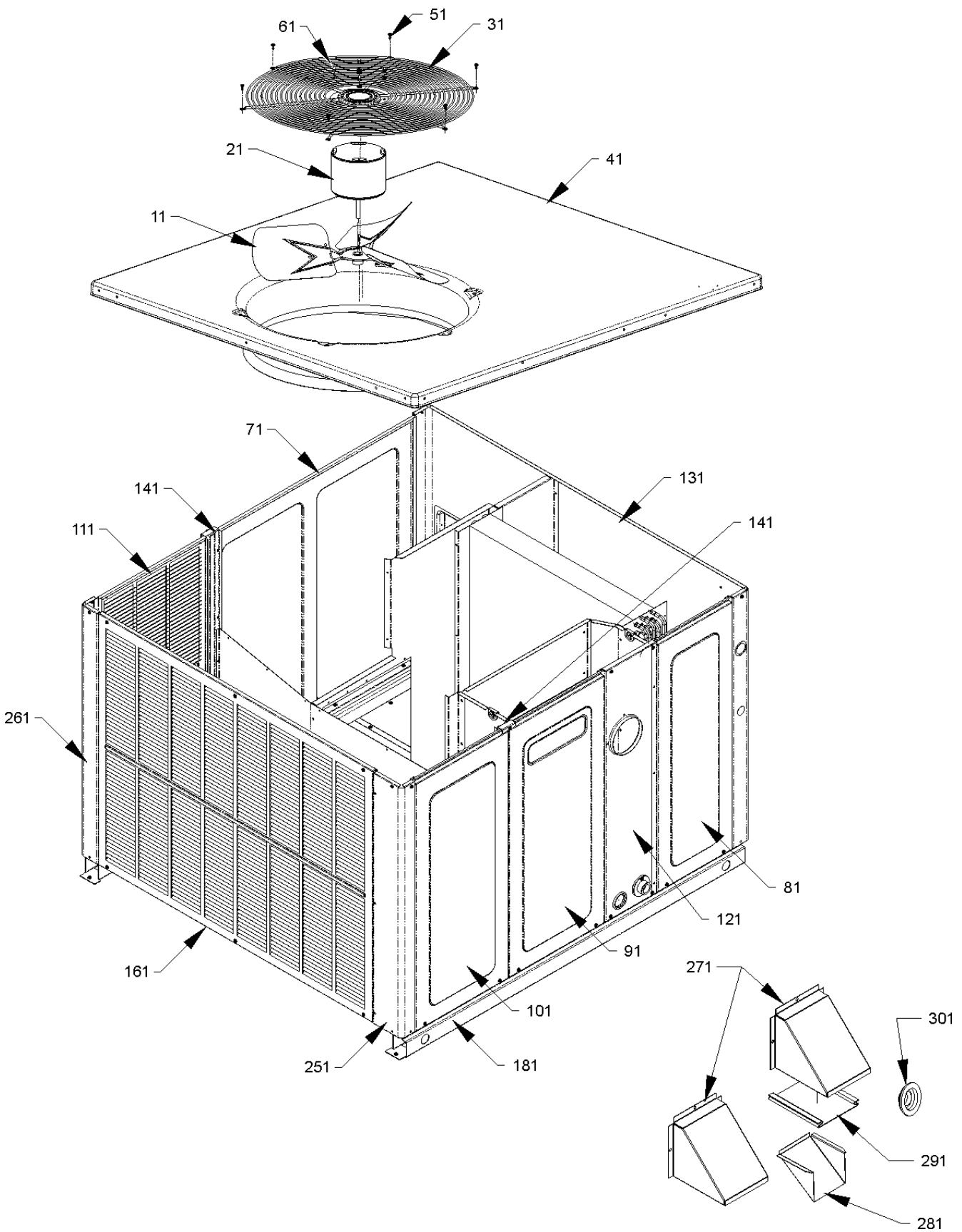
# Functional Parts

## Part

## No: Description:

Part No:	Description:	Part No:	Description:																						
20269903	AUXILIARY LIMIT, AUTO RESET	20261709S	IGNITOR																						
0231K00061	BLOWER MOTOR 1 HP PROGRAMMED X13 (M10, M11, M21, M22)	10728344	LIMIT SWITCH (M6, M7, M8, M9, M17, M18, M19, M20)																						
0231K00060	BLOWER MOTOR 1/2 HP PROGRAMMED X13 (M3, M4, M14, M15)	10728343	LIMIT SWITCH (M1, M2, M3, M4, M5, M10, M11, M12, M13, M14, M15, M16, M21, M22)																						
0131M00156S	BLOWER MOTOR 1/2 HP PROGRAMMED X13 (M2, M13)	11112501S	PRESSURE SWITCH																						
0231K00059	BLOWER MOTOR 1/2 HP PROGRAMMED X13 (M1, M12)	B1141643	TRANSFORMER 208/230, 24V																						
0131M00167S	BLOWER MOTOR 1/2 HP PROGRAMMED X13 (M5, M16)	<b>SPECIAL PARTS</b>																							
0231K00062	BLOWER MOTOR 3/4 HP PROGRAMMED X13 (M7, M8, M18, M19)	IO-653C	A/GPG SUPPLEMENTAL INSTRUCTIONS																						
0131M00157S	BLOWER MOTOR 3/4 HP PROGRAMMED X13 (M6, M17)	B10259253	AMANA LABEL (M1, M2, M3, M4, M5, M6, M7, M8, M9, M10, M11)																						
0131M00169S	BLOWER MOTOR 3/4 HP PROGRAMMED X13 (M9, M20)	B10259251	GOODMAN LABEL (M12, M13, M14, M15, M16, M17, M18, M19, M20, M21, M22)																						
CAP050350440RSS	CAPACITOR 5/35/440V [CONTROL BOX] (M1, M12)	IO-325C	INSTALLATION INSTRUCTIONS (M12, M13, M14, M15, M16, M17, M18, M19, M20, M21, M22)																						
CAP050400370RSS	CAPACITOR 5/40/370V [CONTROL BOX] (M2, M3, M4, M13, M14, M15)	IO-324D	INSTALLATION INSTRUCTIONS (M12, M13, M14, M15, M16, M17, M18, M19, M20, M21, M22)																						
CAP050450370RSS	CAPACITOR 5/45/370V [CONTROL BOX] (M5, M6, M7, M8, M9, M16, M17, M18, M19, M20)	HI-116	USERS MANUAL																						
CAP050800440RTS	CAPACITOR 5/80/440V (M10, M11, M21, M22)	<b>Expanded Model Nomenclature</b>																							
ZP20K3EPFV930	COMPRESSOR 20000, 208/230/60/1 (M1, M12)	<table border="1"> <tbody> <tr><td>M1 - APG152407041AA</td></tr> <tr><td>M2 - APG153009041AA</td></tr> <tr><td>M3 - APG153609041AA</td></tr> <tr><td>M4 - APG153609041AB</td></tr> <tr><td>M5 - APG153709041AA</td></tr> <tr><td>M6 - APG154211541AA</td></tr> <tr><td>M7 - APG154811541AA</td></tr> <tr><td>M8 - APG154811541AB</td></tr> <tr><td>M9 - APG154911541AA</td></tr> <tr><td>M10 - APG156014041AA</td></tr> <tr><td>M11 - APG156014041AB</td></tr> <tr><td>M12 - GPG152407041AA</td></tr> <tr><td>M13 - GPG153009041AA</td></tr> <tr><td>M14 - GPG153609041AA</td></tr> <tr><td>M15 - GPG153609041AB</td></tr> <tr><td>M16 - GPG153709041AA</td></tr> <tr><td>M17 - GPG154211541AA</td></tr> <tr><td>M18 - GPG154811541AA</td></tr> <tr><td>M19 - GPG154811541AB</td></tr> <tr><td>M20 - GPG154911541AA</td></tr> <tr><td>M21 - GPG156014041AA</td></tr> <tr><td>M22 - GPG156014041AB</td></tr> </tbody> </table>		M1 - APG152407041AA	M2 - APG153009041AA	M3 - APG153609041AA	M4 - APG153609041AB	M5 - APG153709041AA	M6 - APG154211541AA	M7 - APG154811541AA	M8 - APG154811541AB	M9 - APG154911541AA	M10 - APG156014041AA	M11 - APG156014041AB	M12 - GPG152407041AA	M13 - GPG153009041AA	M14 - GPG153609041AA	M15 - GPG153609041AB	M16 - GPG153709041AA	M17 - GPG154211541AA	M18 - GPG154811541AA	M19 - GPG154811541AB	M20 - GPG154911541AA	M21 - GPG156014041AA	M22 - GPG156014041AB
M1 - APG152407041AA																									
M2 - APG153009041AA																									
M3 - APG153609041AA																									
M4 - APG153609041AB																									
M5 - APG153709041AA																									
M6 - APG154211541AA																									
M7 - APG154811541AA																									
M8 - APG154811541AB																									
M9 - APG154911541AA																									
M10 - APG156014041AA																									
M11 - APG156014041AB																									
M12 - GPG152407041AA																									
M13 - GPG153009041AA																									
M14 - GPG153609041AA																									
M15 - GPG153609041AB																									
M16 - GPG153709041AA																									
M17 - GPG154211541AA																									
M18 - GPG154811541AA																									
M19 - GPG154811541AB																									
M20 - GPG154911541AA																									
M21 - GPG156014041AA																									
M22 - GPG156014041AB																									
ZP26K3EPFV930	COMPRESSOR 25200, 208/230/60/1 (M2, M13)																								
ZPS30K4EPFV930	COMPRESSOR 30000, 208/230/60/1/2STG (M3, M4, M14, M15)																								
ZP31K5EPFV830	COMPRESSOR 31100, 208/230/60/1 (M5, M16)																								
ZP34K5EPFV830	COMPRESSOR 34500, 208/230/60/1 (M6, M17)																								
ZPS40K4EPFV930	COMPRESSOR 40000, 208/230/60/1/2STG (M7, M8, M9, M18, M19, M20)																								
ZPS51K4EPFV930	COMPRESSOR 52000, 208/230/60/1/2STG (M10, M11, M21, M22)																								
0131M00008PS	COND MOTOR 1/3 HP, 1 SP, 6 PL (M7, M10, M18, M21)																								
0131M00007PS	COND MOTOR 1/4 HP, 1 SP, 6 PL (M3, M6, M8, M9, M11, M14, M17, M19, M20, M22)																								
0131M00014PS	COND MOTOR 1/4 HP, 1 SP, 8 PL (M2, M4, M5, M13, M15, M16)																								
0131M00009PS	COND MOTOR 1/6 HP, 1 SP, 8 PL (M1, M12)																								
CONT2P025024VS	CONTACTOR 25 AMP, 2P, 24V (M1, M2, M3, M4, M5, M12, M13, M14, M15, M16)																								
CONT2P030024VS	CONTACTOR 30 AMP, 2P, 24V (M6, M7, M8, M9, M17, M18, M19, M20)																								
CONT2P040024VS	CONTACTOR 40 AMP, 2P, 24V (M10, M11, M21, M22)																								
0130M00018S	CUT-OUT SWITCH, HIGH PRESSURE																								
0130M00019S	CUT-OUT SWITCH, LOW PRESSURE																								
0151F00000P	GAS VALVE HSI (2-STAGE NAT)																								
PCBAG100S	IGNITION BOARD, DSI INTEGRATED 2 STG																								

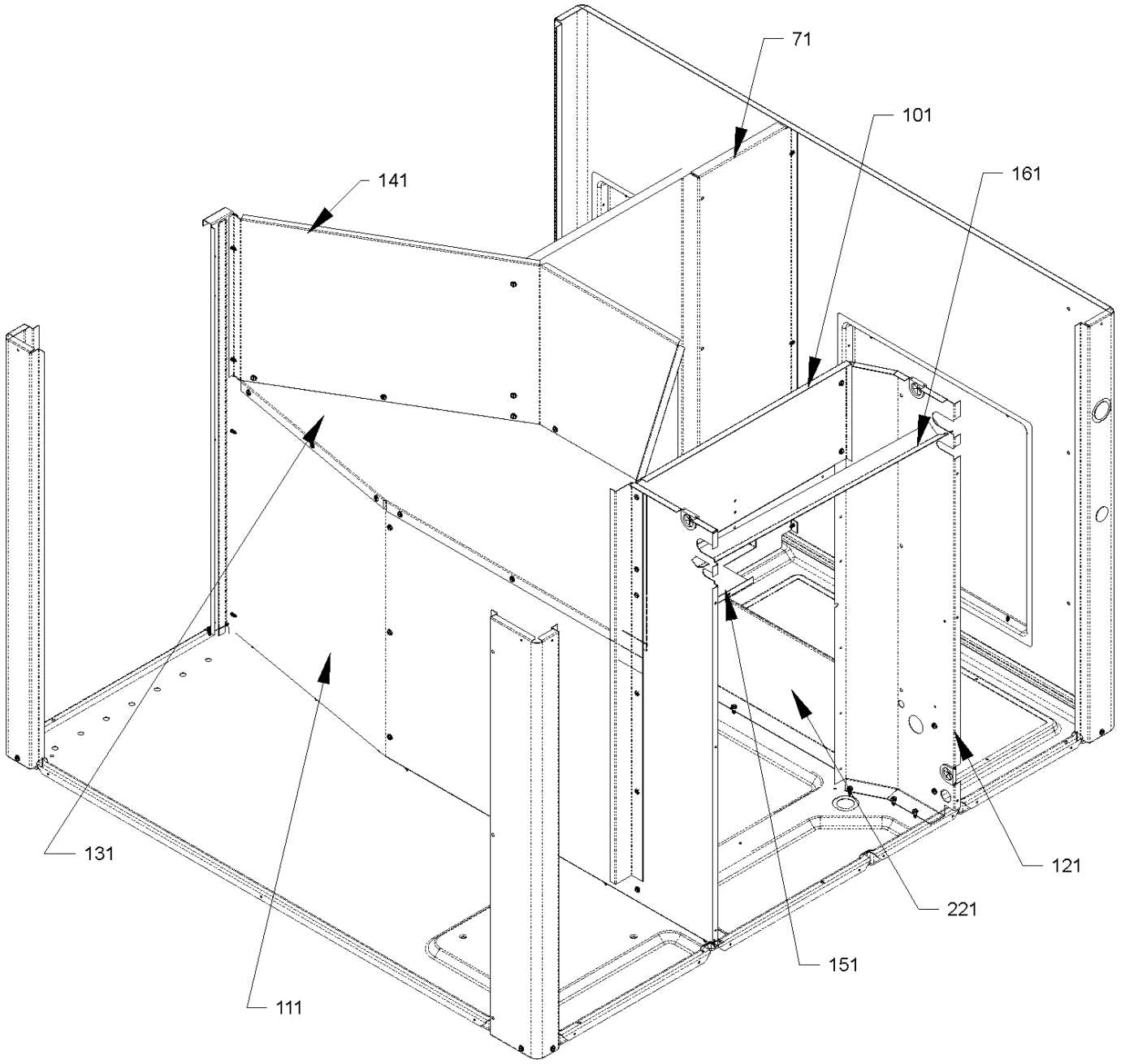
# Top Panel/Fan/Cabinet



# Top Panel/Fan/Cabinet

Ref. Part No:	Description:	Ref. Part No:	Description:																						
<i>Image 1:</i>		<i>Image 1:</i>																							
11	B1086773S FAN BLADE 22" (M1, M3, M12, M14)	181	0121G00290 BASE PAN RAIL (QTY 2)																						
11	0150G00002S FAN BLADE SWEPT-WING (M2, M4, M5, M13, M15, M16)	251	20464201PDGS CORNER POST-COMP END 32" (M1, M2, M3, M4, M5, M12, M13, M14, M15, M16)																						
11	0150G00003S FAN BLADE SWEPT-WING (M6, M7, M8, M9, M10, M11, M17, M18, M19, M20, M21, M22)	251	20464202PDGS CORNER POST-COMP END 40" (M6, M7, M8, M9, M10, M11, M17, M18, M19, M20, M21, M22)																						
21	0131M00008PS COND MOTOR 1/3 HP, 1 SP, 6 PL (M7, M10, M18, M21)	261	20464301PDGS CORNER POST-HAIRPIN END 32" (M1, M2, M3, M4, M5, M12, M13, M14, M15, M16)																						
21	0131M00007PS COND MOTOR 1/4 HP, 1 SP, 6 PL (M3, M6, M8, M9, M11, M14, M17, M19, M20, M22)	261	20464302PDGS CORNER POST-HAIRPIN END 40" (M6, M7, M8, M9, M10, M11, M17, M18, M19, M20, M21, M22)																						
21	0131M00014PS COND MOTOR 1/4 HP, 1 SP, 8 PL (M2, M4, M5, M13, M15, M16)	271	0121G00323 FLUE HOOD (QTY 2)																						
21	0131M00009PS COND MOTOR 1/6 HP, 1 SP, 8 PL (M1, M12)	281	0121G00190S FLUE HOOD-LOWER																						
31	0152G00002S FAN GRILLE	291	20472601 FLUE HOOD SCREEN																						
41	20466001PDGS TOP PANEL	301	B1910012 GAS LINE GROMMET																						
51	M0221817 SMALL SCREW (QTY 6)	NS	B10259253 AMANA LABEL (M1, M2, M3, M4, M5, M6, M7, M8, M9, M10, M11)																						
61	0163M00006P ACORN NUT 5/16 HEX BLACK (QTY 4)	NS	0270G00131 FLUE HOOD ASSY																						
71	0260G00025PS INSULATED ASSY, BLOWER PANEL 32.5" (M1, M2, M3, M4, M5, M12, M13, M14, M15, M16)	NS	B10259251 GOODMAN LABEL (M12, M13, M14, M15, M16, M17, M18, M19, M20, M21, M22)																						
71	0260G00026PS INSULATED ASSY, BLOWER PANEL 40" (M6, M7, M8, M9, M10, M11, M17, M18, M19, M20, M21, M22)	NS	17788000083F PVC CONDUIT 8.25"																						
81	20464802PDG EVAP/CONTROL DOOR 32" (M1, M2, M3, M4, M5, M12, M13, M14, M15, M16)	NS	0259G00041 WIRE HARNESS, FAN MOTOR (M1, M12)																						
81	20464807PDGS EVAP/CONTROL DOOR 40" (M6, M7, M8, M9, M10, M11, M17, M18, M19, M20, M21, M22)	NS	0259G00088 WIRE HARNESS, FAN MOTOR (M2, M5, M6, M13, M16, M17)																						
91	0121G00179DGS HEAT EXCHANGER DOOR 32" (M1, M2, M3, M4, M5, M12, M13, M14, M15, M16)	<b>Expanded Model Nomenclature</b>																							
91	0121G00181DGS HEAT EXCHANGER DOOR 40" (M6, M7, M8, M9, M10, M11, M17, M18, M19, M20, M21, M22)	<table border="1"> <tr><td>M1 - APG152407041AA</td></tr> <tr><td>M2 - APG153009041AA</td></tr> <tr><td>M3 - APG153609041AA</td></tr> <tr><td>M4 - APG153609041AB</td></tr> <tr><td>M5 - APG153709041AA</td></tr> <tr><td>M6 - APG154211541AA</td></tr> <tr><td>M7 - APG154811541AA</td></tr> <tr><td>M8 - APG154811541AB</td></tr> <tr><td>M9 - APG154911541AA</td></tr> <tr><td>M10 - APG156014041AA</td></tr> <tr><td>M11 - APG156014041AB</td></tr> <tr><td>M12 - GPG152407041AA</td></tr> <tr><td>M13 - GPG153009041AA</td></tr> <tr><td>M14 - GPG153609041AA</td></tr> <tr><td>M15 - GPG153609041AB</td></tr> <tr><td>M16 - GPG153709041AA</td></tr> <tr><td>M17 - GPG154211541AA</td></tr> <tr><td>M18 - GPG154811541AA</td></tr> <tr><td>M19 - GPG154811541AB</td></tr> <tr><td>M20 - GPG154911541AA</td></tr> <tr><td>M21 - GPG156014041AA</td></tr> <tr><td>M22 - GPG156014041AB</td></tr> </table>		M1 - APG152407041AA	M2 - APG153009041AA	M3 - APG153609041AA	M4 - APG153609041AB	M5 - APG153709041AA	M6 - APG154211541AA	M7 - APG154811541AA	M8 - APG154811541AB	M9 - APG154911541AA	M10 - APG156014041AA	M11 - APG156014041AB	M12 - GPG152407041AA	M13 - GPG153009041AA	M14 - GPG153609041AA	M15 - GPG153609041AB	M16 - GPG153709041AA	M17 - GPG154211541AA	M18 - GPG154811541AA	M19 - GPG154811541AB	M20 - GPG154911541AA	M21 - GPG156014041AA	M22 - GPG156014041AB
M1 - APG152407041AA																									
M2 - APG153009041AA																									
M3 - APG153609041AA																									
M4 - APG153609041AB																									
M5 - APG153709041AA																									
M6 - APG154211541AA																									
M7 - APG154811541AA																									
M8 - APG154811541AB																									
M9 - APG154911541AA																									
M10 - APG156014041AA																									
M11 - APG156014041AB																									
M12 - GPG152407041AA																									
M13 - GPG153009041AA																									
M14 - GPG153609041AA																									
M15 - GPG153609041AB																									
M16 - GPG153709041AA																									
M17 - GPG154211541AA																									
M18 - GPG154811541AA																									
M19 - GPG154811541AB																									
M20 - GPG154911541AA																									
M21 - GPG156014041AA																									
M22 - GPG156014041AB																									
101	20464804PDG COMPRESSOR DOOR 32" (M1, M2, M3, M4, M5, M12, M13, M14, M15, M16)																								
101	20464809PDG COMPRESSOR DOOR 40" (M6, M7, M8, M9, M10, M11, M17, M18, M19, M20, M21, M22)																								
111	20467701PDGS LOUVERED PANEL, COND SIDE 32" (M12, M13, M14, M15, M16)																								
111	20467701PLG LOUVERED PANEL, COND SIDE 32" (M1, M2, M3, M4, M5)																								
111	20467702PDG LOUVERED PANEL, COND SIDE 40" (M17, M18, M19, M20, M21, M22)																								
111	20467702PLG LOUVERED PANEL, COND SIDE 40" (M6, M7, M8, M9, M10, M11)																								
121	20466101PDGS UTILITY PANEL 32" (M1, M2, M3, M4, M5, M12, M13, M14, M15, M16)																								
121	20466102PDGS UTILITY PANEL 40" (M6, M7, M8, M9, M10, M11, M17, M18, M19, M20, M21, M22)																								
131	0121G00239DG DUCT PANEL 32.5" (M1, M2, M3, M4, M5, M12, M13, M14, M15, M16)																								
131	0121G00240DG DUCT PANEL 40" (M6, M7, M8, M9, M10, M11, M17, M18, M19, M20, M21, M22)																								
141	0121G00208 SUPPORT POST 32" (M1, M2, M3, M4, M5, M12, M13, M14, M15, M16)																								
141	0121G00209 SUPPORT POST 40" (M6, M7, M8, M9, M10, M11, M17, M18, M19, M20, M21, M22)																								
161	20464401PDGS LOUVERED PANEL, COND SIDE 32" (M12, M13, M14, M15, M16)																								
161	20464401PLG LOUVERED PANEL, COND SIDE 32" (M1, M2, M3, M4, M5)																								
161	20464402PDGS LOUVERED PANEL, COND SIDE 40" (M17, M18, M19, M20, M21, M22)																								
161	20464402PLG LOUVERED PANEL, COND SIDE 40" (M6, M7, M8, M9, M10, M11)																								

# Partition Panels

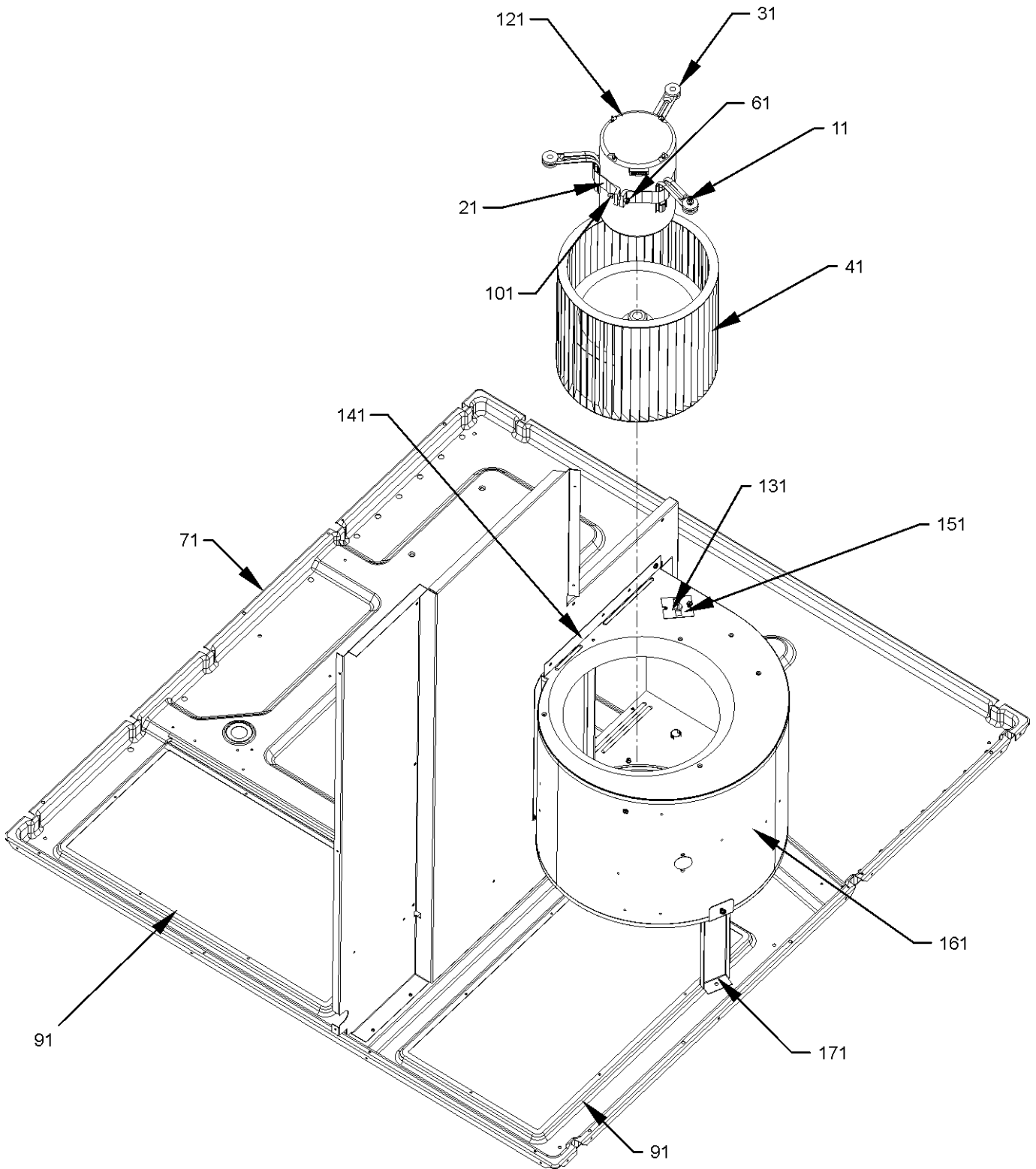


# Partition Panels

Ref. Part No:	No:	Description:	Ref. Part No:	No:	Description:
<i>Image 1:</i>			Expanded Model Nomenclature		
71	20465305	BLOWER DIVIDER (M1, M12)	M1 -	APG152407041AA	
71	20465304	BLOWER DIVIDER 32" 10 X 9 (M2, M3, M4, M5, M13, M14, M15, M16)	M2 -	APG153009041AA	
71	0121G00177	BLOWER DIVIDER 38" (M6, M7, M8, M9, M10, M11, M17, M18, M19, M20, M21, M22)	M3 -	APG153609041AA	
101	20465201	FILLER PANEL, HEAT EXCHANGER 32" (M1, M2, M3, M4, M5, M12, M13, M14, M15, M16)	M4 -	APG153609041AB	
101	20465202	FILLER PANEL, HEAT EXCHANGER 40" (M6, M7, M8, M9, M10, M11, M17, M18, M19, M20, M21, M22)	M5 -	APG153709041AA	
111	0121G00198	PARTITION PANEL 32.5" (M1, M2, M3, M4, M5, M12, M13, M14, M15, M16)	M6 -	APG154211541AA	
111	0121G00199	PARTITION PANEL 40" (M6, M7, M8, M9, M10, M11, M17, M18, M19, M20, M21, M22)	M7 -	APG154811541AA	
121	20465501	EVAP/HEAT EXCHANGER DIVIDER 32" (M1, M2, M3, M4, M5, M12, M13, M14, M15, M16)	M8 -	APG154811541AB	
121	20465502	EVAP/HEAT EXCHANGER DIVIDER 38" (M6, M7, M8, M9, M10, M11, M17, M18, M19, M20, M21, M22)	M9 -	APG154911541AA	
131	20465701	FAN PARTITION SHELF	M10 -	APG156014041AA	
141	20465801	FAN SURROUND 32" (M1, M2, M3, M4, M5, M12, M13, M14, M15, M16)	M11 -	APG156014041AB	
141	20465802	FAN SURROUND 40" (M6, M7, M8, M9, M10, M11, M17, M18, M19, M20, M21, M22)	M12 -	GPG152407041AA	
151	20472501	SHIELD, HEAT EXCHANGER TUBES	M13 -	GPG153009041AA	
161	20496801	DRAIN CHANNEL, SUCTION TUBE	M14 -	GPG153609041AA	
221	20463802	EVAP/BASEPAN BLOCK 32" (M1, M2, M3, M4, M5, M12, M13, M14, M15, M16)	M15 -	GPG153609041AB	
221	20463801	EVAP/BASEPAN BLOCK 40" (M6, M7, M8, M9, M10, M11, M17, M18, M19, M20, M21, M22)	M16 -	GPG153709041AA	
			M17 -	GPG154211541AA	
			M18 -	GPG154811541AA	
			M19 -	GPG154811541AB	
			M20 -	GPG154911541AA	
			M21 -	GPG156014041AA	
			M22 -	GPG156014041AB	

Effective July 2008 (serial codes 0807), single phase units will no longer be factory shipped with horizontal duct covers. For downshot applications, contact your local Goodman distributor.

# Basepan/Blower Assembly





# Basepan/Blower Assembly

Ref. Part  
No: No:

Description:

Ref. Part  
No: No:

Description:

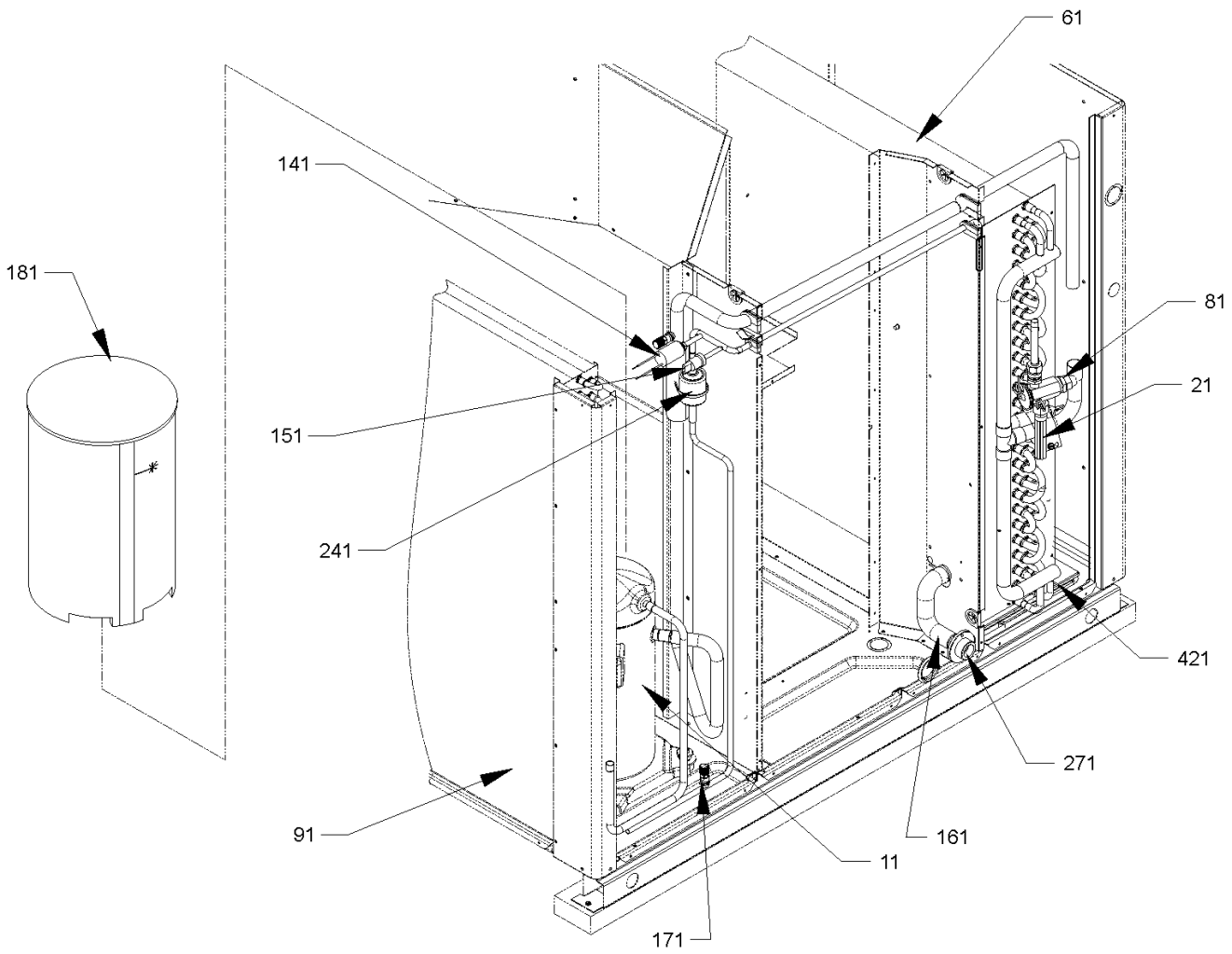
Image 1:

11	M0250565	TC SCREW 1.25" (QTY 3)
21	0121M00038	MOTOR MOUNT BAND
31	B1376857	MOTOR MOUNT ARM (QTY 3)
41	D6723303S	BLOWER WHEEL (M2, M3, M4, M5, M13, M14, M15, M16)
41	B1368058S	BLOWER WHEEL 10 X 8 (M1, M12)
41	B1368000S	BLOWER WHEEL 11 X 10 (M6, M7, M8, M9, M10, M11, M17, M18, M19, M20, M21, M22)
61	B1393323	MACHINE SCREW HWH 1/4-20 X 1-1/2 BZ
71	0121G00289	BASE PAN
91	0121G00148	SINGLE COVER, DOWN DISCHARGE (QTY 2)
101	B1393800	LOCKNUT, NYLON, INSERT 1/4, 20
121	0231K00061	BLOWER MOTOR 1 HP PROGRAMMED X13 (M10, M11, M21, M22)
121	0131M00156S	BLOWER MOTOR 1/2 HP PROGRAMMED X13 (M2, M13)
121	0131M00167S	BLOWER MOTOR 1/2 HP PROGRAMMED X13 (M5, M16)
121	0231K00059	BLOWER MOTOR 1/2 HP PROGRAMMED X13 (M1, M12)
121	0231K00060	BLOWER MOTOR 1/2 HP PROGRAMMED X13 (M3, M4, M14, M15)
121	0131M00157S	BLOWER MOTOR 3/4 HP PROGRAMMED X13 (M6, M17)
121	0131M00169S	BLOWER MOTOR 3/4 HP PROGRAMMED X13 (M9, M20)
121	0231K00062	BLOWER MOTOR 3/4 HP PROGRAMMED X13 (M7, M8, M18, M19)
131	20269903	AUXILIARY LIMIT, AUTO RESET
141	20463701	11 X 10 BLOWER MOUNTING (M6, M7, M8, M9, M10, M11, M17, M18, M19, M20, M21, M22)
151	2509503F	AUXILIARY LIMIT BRACKET
161	0271F00001PS	BLOWER HOUSING ASSY 10 X 8 (M1, M12)
161	0271G00024S	BLOWER HOUSING ASSY 10 X 9 (M2, M3, M4, M5, M13, M14, M15, M16)
161	2539309S	BLOWER HOUSING ASSY 11 X 10 (M6, M7, M8, M9, M10, M11, M17, M18, M19, M20, M21, M22)
171	4322801	11 X 10 BLOWER SUPPORT LRG (M6, M7, M8, M9, M10, M11, M17, M18, M19, M20, M21, M22)
NS	764742	BLOWER BLOCK-OFF (M2, M3, M4, M5, M13, M14, M15, M16)
NS	764740F	BLOWER BLOCK-OFF 10 X 8 (M1, M12)
NS	1864703F	BLOWER CUT-OFF (M6, M7, M8, M9, M10, M11, M17, M18, M19, M20, M21, M22)

Expanded Model Nomenclature

M1 - APG152407041AA
M2 - APG153009041AA
M3 - APG153609041AA
M4 - APG153609041AB
M5 - APG153709041AA
M6 - APG154211541AA
M7 - APG154811541AA
M8 - APG154811541AB
M9 - APG154911541AA
M10 - APG156014041AA
M11 - APG156014041AB
M12 - GPG152407041AA
M13 - GPG153009041AA
M14 - GPG153609041AA
M15 - GPG153609041AB
M16 - GPG153709041AA
M17 - GPG154211541AA
M18 - GPG154811541AA
M19 - GPG154811541AB
M20 - GPG154911541AA
M21 - GPG156014041AA
M22 - GPG156014041AB

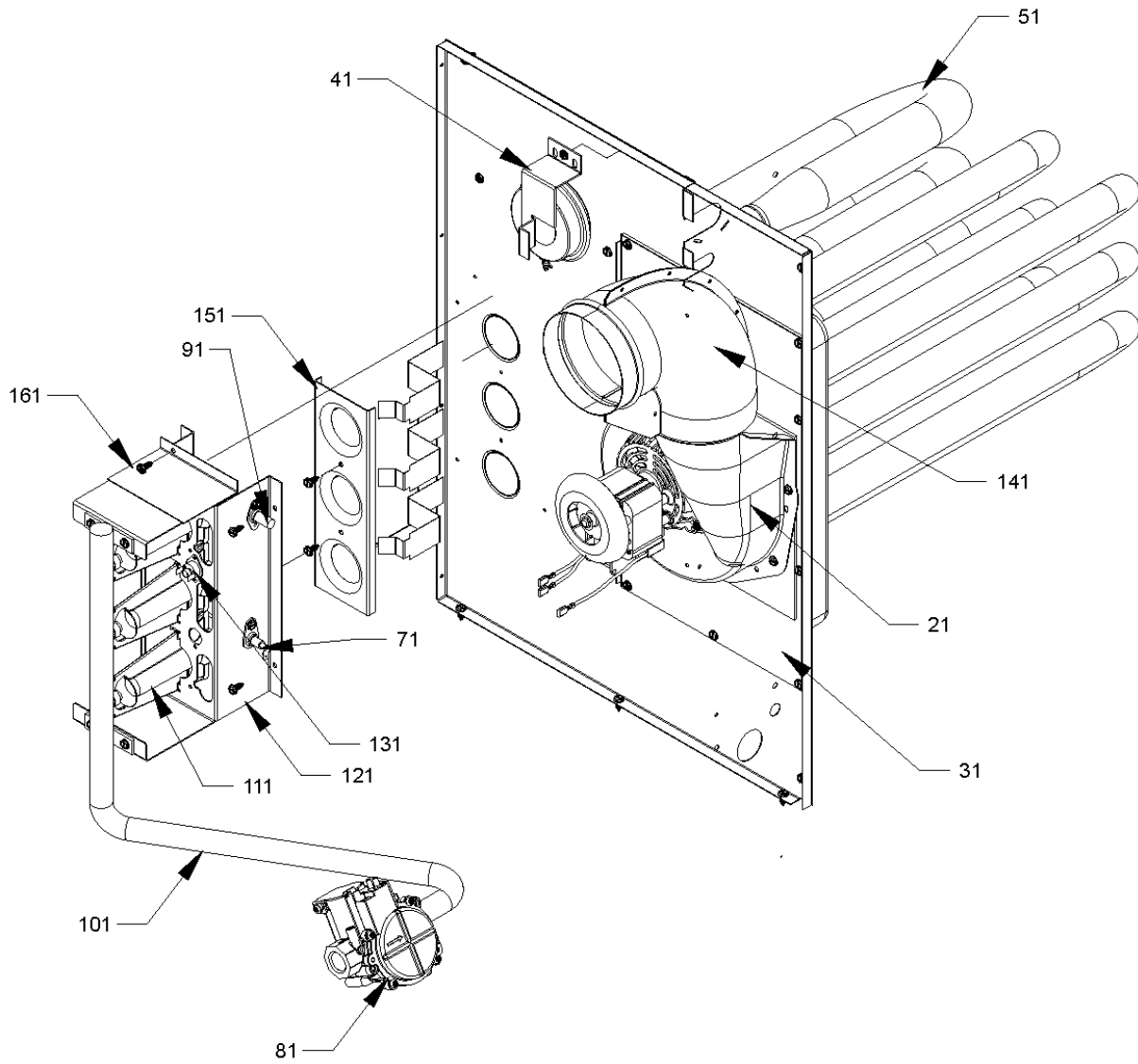
# Compressor/Tubing Assembly



# Compressor/Tubing Assembly

Ref. Part No:	Ref. Part No:	Description:	Description:
<i>Image 1:</i>		<i>Expanded Model Nomenclature</i>	
11	ZP20K3EPFV930	COMPRESSOR 20000, 208/230/60/1 (M1, M12)	M1 - APG152407041AA
11	ZP26K3EPFV930	COMPRESSOR 25200, 208/230/60/1 (M2, M13)	M2 - APG153009041AA
11	ZPS30K4EPFV930	COMPRESSOR 30000, 208/230/60/1/2STG (M3, M4, M14, M15)	M3 - APG153609041AA
11	ZP31K5EPFV830	COMPRESSOR 31100, 208/230/60/1 (M5, M16)	M4 - APG153609041AB
11	ZP34K5EPFV830	COMPRESSOR 34500, 208/230/60/1 (M6, M17)	M5 - APG153709041AA
11	ZPS40K4EPFV930	COMPRESSOR 40000, 208/230/60/1/2STG (M7, M8, M9, M18, M19, M20)	M6 - APG154211541AA
11	ZPS51K4EPFV930	COMPRESSOR 52000, 208/230/60/1/2STG (M10, M11, M21, M22)	M7 - APG154811541AA
21	0162M00118	FLOWRATOR [EVAP] (M6, M17)	M8 - APG154811541AB
21	0162M00123	FLOWRATOR [EVAP] (M2, M13)	M9 - APG154911541AA
21	B1314400	FLOWRATOR [EVAP] (M1, M12)	M10 - APG156014041AA
21	B1314800	FLOWRATOR [EVAP] (M3, M4, M5, M7, M8, M9, M10, M11, M14, M15, M16, M18, M19, M20, M21, M22)	M11 - APG156014041AB
61	0202G00102S	TUBING ASSY, EVAP COIL (M1, M12)	M12 - GPG152407041AA
61	0202G00103S	TUBING ASSY, EVAP COIL (M3, M4, M5, M14, M15, M16)	M13 - GPG153009041AA
61	0202G00104S	TUBING ASSY, EVAP COIL (M7, M8, M9, M10, M11, M18, M19, M20, M21, M22)	M14 - GPG153609041AA
61	0202G00315	TUBING ASSY, EVAP COIL (M2, M13)	M15 - GPG153609041AB
61	0202G00316	TUBING ASSY, EVAP COIL (M6, M17)	M16 - GPG153709041AA
81	0151G00001	TXV VALVE [EVAP] (M1, M12)	M17 - GPG154211541AA
81	0151M00016	TXV VALVE [EVAP] (M7, M8, M9, M10, M11, M18, M19, M20, M21, M22)	M18 - GPG154811541AA
81	0151M00017	TXV VALVE [EVAP] (M3, M4, M5, M14, M15, M16)	M19 - GPG154811541AB
91	0201G00072S	TUBING ASSY, COND COIL (M6, M7, M8, M9, M10, M11, M17, M18, M19, M20, M21, M22)	M20 - GPG154911541AA
91	0201G00084S	TUBING ASSY, COND COIL (M1, M12)	M21 - GPG156014041AA
91	0201G00086S	TUBING ASSY, COND COIL (M3, M4, M14, M15)	M22 - GPG156014041AB
91	0201G00164	TUBING ASSY, COND COIL (M2, M5, M13, M16)	
141	0130M00018S	CUT-OUT SWITCH, HIGH PRESSURE	
151	0130M00019S	CUT-OUT SWITCH, LOW PRESSURE	
161	20498302	DRAIN TUBE 32" (M1, M2, M3, M4, M5, M12, M13, M14, M15, M16)	
161	20498301	DRAIN TUBE 40" (M6, M7, M8, M9, M10, M11, M17, M18, M19, M20, M21, M22)	
171	B9102097	CAP W/O-RING (QTY 2)	
181	B1488806S	COMPRESSOR SOUND BLANKET (M3, M4, M6, M7, M8, M9, M10, M11)	
181	B1488807S	COMPRESSOR SOUND BLANKET (M1, M2, M5)	
241	B5134711	FILTER DRIER	
271	20513001	EVAP DRAIN FITTING	
421	20464901	DRIP PAN, EVAP COIL	
NS	B1373315	ACCESS FITTING (QTY 2)	
NS	B1339533	COMPRESSOR GROMMET (QTY 4)	
NS	0121G00324	EVAP DRIP SHIELD	
NS	0162M00085	FLOWRATOR .065 (M2, M5, M13, M16)	
NS	M0221641	TF SHOULDER SCREW (QTY 4)	

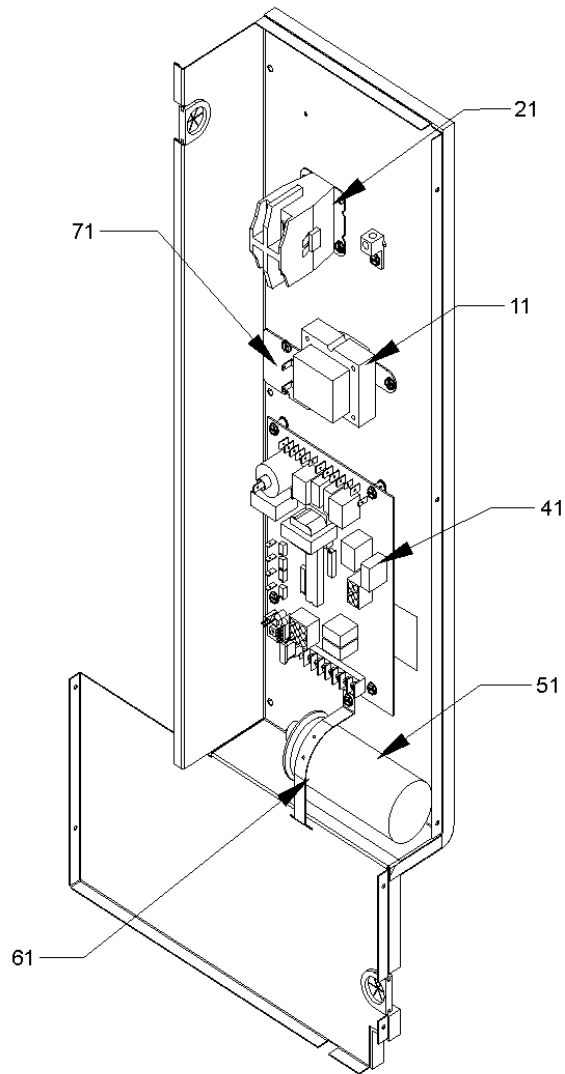
# Heat Exchanger/Manifold/Gas Valve



# Heat Exchanger/Manifold/Gas Valve

Ref. Part No:	No:	Description:	Ref. Part No:	No:	Description:
<i>Image 1:</i>			Expanded Model Nomenclature		
21	0131G00001S	ID BLOWER	M1	-	APG152407041AA
31	20463203	ID BLOWER PLATE LRG (M10, M11, M21, M22)	M2	-	APG153009041AA
31	20463103	ID BLOWER PLATE LRG 4 BRNR (M2, M3, M4, M5, M13, M14, M15, M16)	M3	-	APG153609041AA
31	0121G00218	ID BLOWER PLATE LRG 5 BRNR (M6, M7, M8, M9, M17, M18, M19, M20)	M4	-	APG153609041AB
31	20463102	ID BLOWER PLATE SML 3 BRNR (M1, M12)	M5	-	APG153709041AA
41	11112501S	PRESSURE SWITCH	M6	-	APG154211541AA
51	4305007S	HEAT EXCHANGER ASSY (M12)	M7	-	APG154811541AA
51	4305016S	HEAT EXCHANGER ASSY (M2, M3, M4, M5)	M8	-	APG154811541AB
51	4305018S	HEAT EXCHANGER ASSY (M6, M7, M8, M9)	M9	-	APG154911541AA
51	4305023S	HEAT EXCHANGER ASSY (M1)	M10	-	APG156014041AA
51	4305026S	HEAT EXCHANGER ASSY (M10, M11)	M11	-	APG156014041AB
51	4305008S	HEAT EXCHANGER ASSY 4B (MED-12) (M13, M14, M15, M16)	M12	-	GPG152407041AA
51	4305012S	HEAT EXCHANGER ASSY 5B (M17, M18, M19, M20)	M13	-	GPG153009041AA
51	4305019S	HEAT EXCHANGER ASSY 6B (M21, M22)	M14	-	GPG153609041AA
71	20261709S	IGNITOR	M15	-	GPG153609041AB
81	0151F00000P	GAS VALVE HSI (2-STAGE NAT)	M16	-	GPG153709041AA
91	0130F00010	FLAME SENSOR	M17	-	GPG154211541AA
101	20493103	MANIFOLD - 3 BRNR (M1, M12)	M18	-	GPG154811541AA
101	20493104	MANIFOLD - 4 BRNR (M2, M3, M4, M5, M13, M14, M15, M16)	M19	-	GPG154811541AB
101	20493106	MANIFOLD - 5 BRNR (M6, M7, M8, M9, M17, M18, M19, M20)	M20	-	GPG154911541AA
101	20493107	MANIFOLD - 6 BRNR (M10, M11, M21, M22)	M21	-	GPG156014041AA
111	10735102S	BECKETT BURNER (QTY 3)	M22	-	GPG156014041AB
121	20190411	BURNER BRACKET 3B (M1, M12)			
121	20190412	BURNER BRACKET 4B (M2, M3, M4, M5, M13, M14, M15, M16)			
121	20190413	BURNER BRACKET 5B (M6, M7, M8, M9, M17, M18, M19, M20)			
121	0121F00145	BURNER BRACKET 6B (M10, M11, M21, M22)			
131	10123529	MANUAL RESET LIMIT			
141	20484401W	FLUE ELBOW LEFT			
141	20484402W	FLUE ELBOW RIGHT			
151	11072202	ORIFICE SHIELD (M1, M12)			
151	11072203	ORIFICE SHIELD (M2, M3, M4, M5, M13, M14, M15, M16)			
151	11072204	ORIFICE SHIELD (M6, M7, M8, M9, M17, M18, M19, M20)			
151	11072205	ORIFICE SHIELD (M10, M11, M21, M22)			
161	11190202	HEAT DEFLECTOR			
NS	20463001	ID BLOWER PLATE GASKET LRG (M6, M7, M8, M9, M10, M11, M17, M18, M19, M20, M21, M22)			
NS	20462801	ID BLOWER PLATE GASKET SML (M1, M2, M3, M4, M5, M12, M13, M14, M15, M16)			
NS	10716003	ORIFICE (QTY AR)			
NS	A3468601	PRESSURE SWITCH HOSE			

# Control Panel



# Control Panel

## Ref. Part

No: No: Description:

## Ref. Part

No: No: Description:

Image 1:

11	B1141643	TRANSFORMER 208/230, 24V
21	CONT2P025024VS	CONTACTOR 25 AMP, 2P, 24V (M1, M2, M3, M4, M5, M12, M13, M14, M15, M16)
21	CONT2P030024VS	CONTACTOR 30 AMP, 2P, 24V (M6, M7, M8, M9, M17, M18, M19, M20)
21	CONT2P040024VS	CONTACTOR 40 AMP, 2P, 24V (M10, M11, M21, M22)
41	PCBAG100S	IGNITION BOARD, DSI INTEGRATED 2 STG
51	CAP050350440RSS	CAPACITOR 5/35/440V [CONTROL BOX] (M1, M12)
51	CAP050400370RSS	CAPACITOR 5/40/370V [CONTROL BOX] (M2, M3, M4, M13, M14, M15)
51	CAP050450370RSS	CAPACITOR 5/45/370V [CONTROL BOX] (M5, M6, M7, M8, M9, M16, M17, M18, M19, M20)
51	CAP050800440RTS	CAPACITOR 5/80/440V (M10, M11, M21, M22)
61	20520901	CAPACITOR STRAP
71	10728343	LIMIT SWITCH (M1, M2, M3, M4, M5, M10, M11, M12, M13, M14, M15, M16, M21, M22)
71	10728344	LIMIT SWITCH (M6, M7, M8, M9, M17, M18, M19, M20)
NS	20048211	COMPRESSOR HARNESS (M2, M5, M13, M16)
NS	0159G00002	COMPRESSOR SCROLL HARNESS (M1, M12)
NS	0159G00001	COMPRESSOR SOLENOID CABLE (M3, M4, M6, M7, M8, M9, M10, M11, M14, M15, M17, M18, M19, M20, M21, M22)
NS	0259G00027	WIRE HARNESS, 6 CIRCUIT
NS	0259G00044	WIRE HARNESS, 9 CIRCUIT
NS	0259G00026	WIRE HARNESS, COMPRESSOR (M6, M7, M8, M9, M10, M11, M17, M18, M19, M20, M21, M22)
NS	0259G00076	WIRE HARNESS, COMPRESSOR (M3, M4, M14, M15)
NS	0259G00031	WIRE HARNESS, ECONOMIZER (M2, M3, M4, M5, M6, M7, M8, M9, M10, M11, M13, M14, M15, M16, M17, M18, M19, M20, M21, M22)

Expanded Model Nomenclature

M1 - APG152407041AA
M2 - APG153009041AA
M3 - APG153609041AA
M4 - APG153609041AB
M5 - APG153709041AA
M6 - APG154211541AA
M7 - APG154811541AA
M8 - APG154811541AB
M9 - APG154911541AA
M10 - APG156014041AA
M11 - APG156014041AB
M12 - GPG152407041AA
M13 - GPG153009041AA
M14 - GPG153609041AA
M15 - GPG153609041AB
M16 - GPG153709041AA
M17 - GPG154211541AA
M18 - GPG154811541AA
M19 - GPG154811541AB
M20 - GPG154911541AA
M21 - GPG156014041AA
M22 - GPG156014041AB