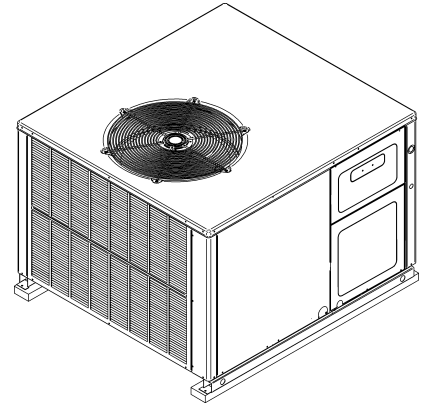




REPAIR PARTS

GPCM3 Residential Package Air Conditioner

GPCM32441AA
GPCM33041AA
GPCM33641AA
GPCM34241AA
GPCM34841AA
GPCM36041AA



This manual is to be used by qualified technicians only.

© 2022 Goodman Manufacturing Company, L.P. ♦ 19001 Kermier Rd. ♦ Waller, TX 77484

Important Information

Index

Functional Parts List	3
Illustration and Parts	4 - 13

Views shown are for parts illustrations only, not servicing procedures.

Text Codes:

AR - As Required

NA - Not Available

NS - Not Shown

00000000 - See Note

QTY - Quantity Example (QTY 3) (If Quantity not shown, Quantity = 1)

M - Model Example (M1) (If M Code not shown, then part is used on all Models)

Expanded Model Nomenclature:

Example M1 - Model#1 M2 - Model#2 M3 - Model#3

Goodman Manufacturing Company, L.P. is not responsible for personal injury or property damage resulting from improper service. Review all service information before beginning repairs.

Warranty service must be performed by an authorized technician, using authorized factory parts. If service is required after the warranty expires, Goodman Manufacturing Company, L.P. also recommends contacting an authorized technician and using authorized factory parts.

Goodman Manufacturing Company, L.P. reserves the right to discontinue, or change at any time, specifications or designs without notice or without incurring obligations.

For assistance within the U.S.A. contact:
Homeowner Support
Goodman Manufacturing Company, L.P.
19001 Kermier Road
Waller, Texas 77484
877-254-4729-Telephone
713-863-2382-Facsimile

For assistance outside the U.S.A. contact:
International Division
Goodman Manufacturing Company, L.P.
19001 Kermier Road
Waller, Texas 77484
713-861-2500-Telephone
713-863-2382-Facsimile

Functional Parts

Part

No: Description:

CAP100700440CT	CAP, 10/70 MFD/ 440V/ DUAL RD (M6)
CAB050350440CS	CAP, 5/35 MFD/440V RD - BPRF (M1)
CAB050400440CT	CAP, 5/40 MFD/440V RD - BPRF (M2, M5)
CAB050450440CT	CAP, 5/45 MFD/440V RD - BPRF (M3, M4)
ZP34K6EPFV120	COMP, 46500, 208/230/60/1 (M4)
ZP20K5EPFV130	COMP, 20000, 208/230/60/1 (M1)
ZP25K5EPFV130	COMP, 25200, 208/230/60/1 (M2)
ZP31K5EPFV130	COMP, 31100, 208/230/60/1 (M3)
ZP40K7EPFV130	COMPRESSOR, COPELAND (M5)
CONT1P030024V	CONT, 1 POLE, 30 AMP, 24 VAC (M1, M2, M3)
CONT2P040024V	CONT, 2 POLE, 40 AMP, 24 VAC (M4, M5, M6)
0131M00749M	CONTROLLERLESS MOTOR (M6)
0131M00750M	CONTROLLERLESS MOTOR (M1, M2, M3)
0131M00747M	CONTROLLERLESS MOTOR (M4, M5)
0159G00014	HARNES-COMP SCROLL
0130M00074	HIGH PRESSURE SWITCH
0131M00430	MOTOR, 1/3 HP, 1 SP, 6 PL (M6)
0131M00847	MOTOR, 1/4 HP, 1 SP, 6 PL (M3, M4, M5)
0131M00836	MOTOR, 1/4HP, 1SP, 8PL, AL (M2)
0131M00979	MOTOR, 1/6 HP, 1SP, 8PL, AL (M1)
0131G00165	PROGRAMMED CONTROLLER (M3)
0131G00164	PROGRAMMED CONTROLLER (M2)
0131G00166	PROGRAMMED CONTROLLER (M4)
0131G00167	PROGRAMMED CONTROLLER (M5)
0131G00168	PROGRAMMED CONTROLLER (M6)
0131G00163	PROGRAMMED CONTROLLER (M1)
0130M00138	TRANSFORMER 208/230 24V
0151M00075	VALVE TXV R410A (M6)

SPECIAL PARTS

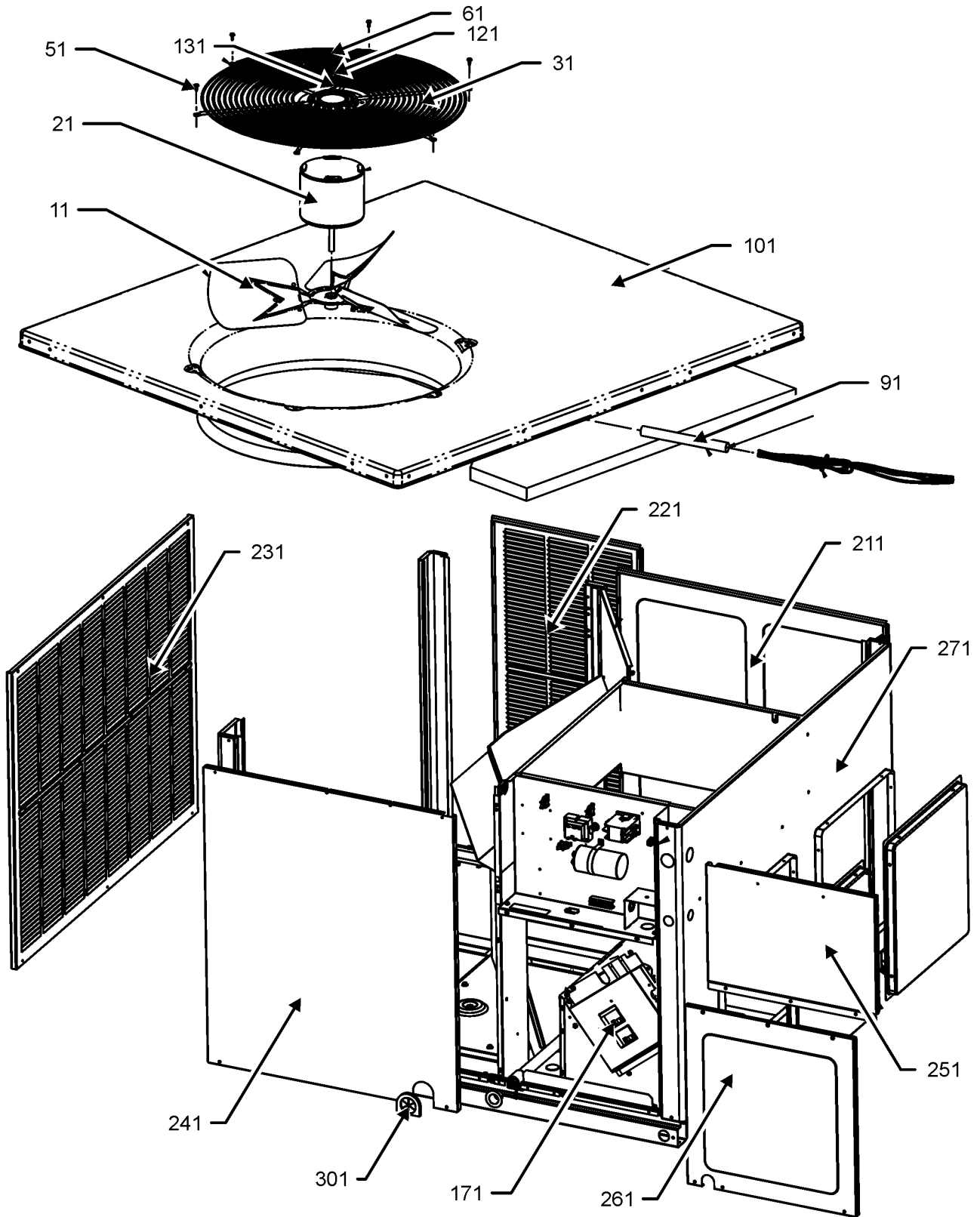
0161F00007 NAMEPLATE, GOODMAN

Expanded Model Nomenclature

M1 - GPCM32441AA
M2 - GPCM33041AA
M3 - GPCM33641AA
M4 - GPCM34241AA
M5 - GPCM34841AA
M6 - GPCM36041AA

TOP PANEL AND CABINET ASSEMBLY

TOP PANEL AND CABINET ASSEMBLY



TOP PANEL AND CABINET ASSEMBLY MAY DIFFER FROM WHAT IS SHOWN

TOP PANEL AND CABINET ASSEMBLY

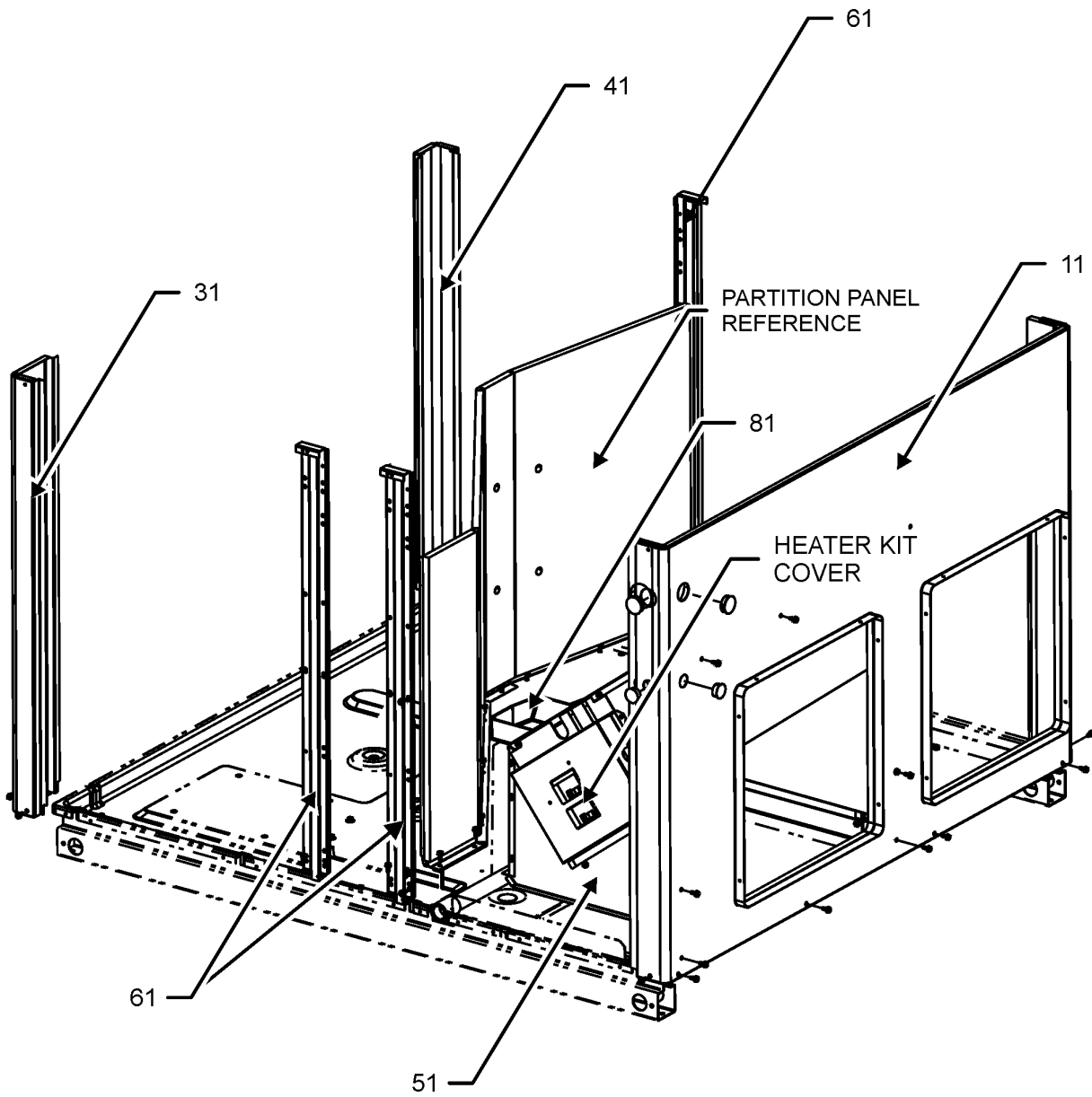
Ref. Part No:	Ref. Part No:	Description:	Description:
Image 1:			
11	0150G00002	FAN BLADE SWP/W (M3, M4, M5, M6)	
11	0150M00008	FAN BLADE, 22" TNT2203-25 (M1, M2)	
21	0131M00430	MOTOR, 1/3 HP, 1 SP, 6 PL (M6)	
21	0131M00847	MOTOR, 1/4 HP, 1 SP, 6 PL (M3, M4, M5)	
21	0131M00836	MOTOR, 1/4HP,1SP,8PL,AL (M2)	
21	0131M00979	MOTOR, 1/6 HP, 1SP, 8PL,AL (M1)	
31	0152G00000	FAN GRILLE RAISED	
51	M0221817	SCREW SM (QTY 4)	
61	0163M00006P	NUT ACORN 5/16 HEX BLACK (QTY 4)	
91	0161R00002P	CONDUIT	
101	0121G00887PDG	PNL TOP PNT	
121	0163M00005P	WASHER BLACK .50 OD .218ID (QTY 4)	
131	M0272803	WASHER LOCK	
171	0121G00725	COVER HK (QTY 2)	
211	20464801PDG	DOOR - BLOWER 32 W/PAINT (M1, M2, M3)	
211	20464806PDG	DOOR - BLOWER 40 W/PAINT (M4, M5, M6)	
221	20467701PDG	PANEL - COND SIDE 32 W/PAINT (M1, M2)	
221	20467702PDG	PANEL - COND SIDE 40 W/PAINT (M4, M5, M6)	
231	0121G00728DG	PANEL-COND LOUVERED 32 (M1, M2, M3)	
231	0121G00729DG	PANEL-COND LOUVERED 40 (M4, M5, M6)	
241	0121G00661DG	COMPRESSOR PANEL (M6)	
241	0121G00662DG	COMPRESSOR PANEL (M1, M2, M3)	
241	0121G00663DG	COMPRESSOR PANEL (M4, M5)	
251	0121G00939DG	PAINTED PANEL CB CNVRT	
261	0121G00882DG	PAINTED, BLO PNL, CNVRT 32.5" (M1, M2, M3)	
261	0121G00883DG	PNL, PAINTED 40" BLWR (M4, M5, M6)	
271	0121G00800DG	PNL, DUCT, CNVRT, 32.5" PNT (M1, M2, M3)	
271	0121G00801DG	PNL, DUCT, CNVRT, 40" PNT (M4, M5, M6)	
301	0164G00005	GROMMET HORSESHOE 1.675	
NS	0164M00111	GROMMET D (QTY 3)	
NS	B1392012	GROMMET HS 1.0 - .79	
NS	0161F00007	NAMEPLATE, GOODMAN	

Expanded Model Nomenclature

M1 - GPCM32441AA
M2 - GPCM33041AA
M3 - GPCM33641AA
M4 - GPCM34241AA
M5 - GPCM34841AA
M6 - GPCM36041AA

PARTITION ASSEMBLY

PARTITION ASSEMBLY



PARTITION ASSEMBLY MAY DIFFER FROM WHAT IS SHOWN

PARTITION ASSEMBLY

Ref. Part No:	No:	Description:	Ref. Part No:	No:	Description:
---------------	-----	--------------	---------------	-----	--------------

Image 1:

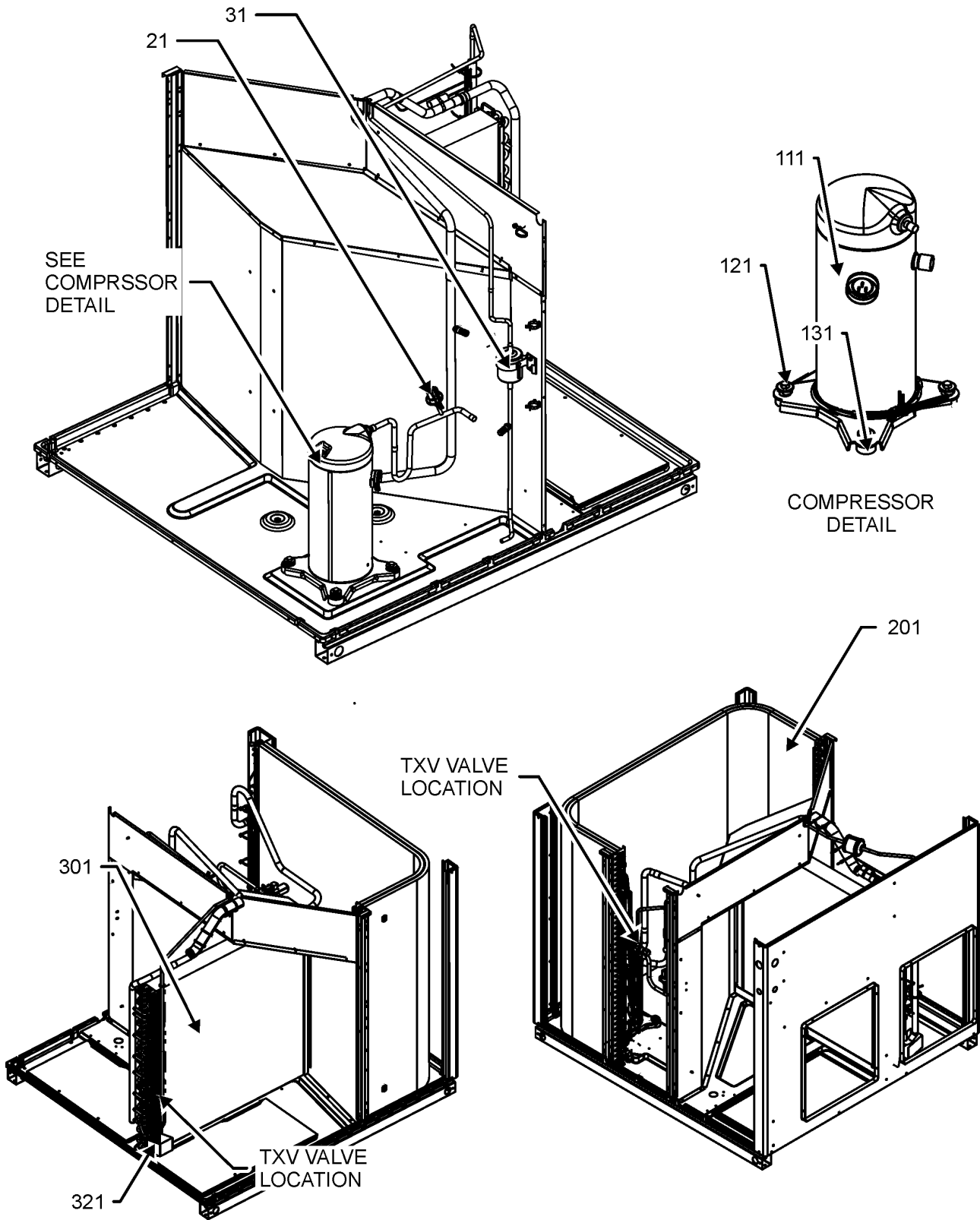
11	0121G00800DG	PNL, DUCT, CNVRT, 32.5" PNT (M1, M2, M3)
11	0121G00801DG	PNL, DUCT, CNVRT, 40" PNT (M4, M5, M6)
31	0121G00453DG	CORNER-POST COMP END, PNT (M3)
31	20464201PDG	CRNR POST-COMP END 32 W/PAINT (M1, M2)
31	20464202PDG	CRNR POST-COMP END 40 W/PAINT (M4, M5, M6)
41	0121G00454DG	CORNER-POST HPIN END, PNT (M1, M2, M3)
41	20464302PDG	CRNR POST-HPIN END 40 W/PAINT (M4, M5, M6)
51	0221G00014	ASSY BLO TNSN
61	0121G00460	POST-SUPPORT, SIDE (M1, M2, M3)
61	0121G00615	POST-SUPPORT, SIDE 40 (M4, M5, M6)
81	0161G00003	DRIP PAN PLASTIC
NS	0261G00000	PIPE, DRAIN (M3)
NS	0261G00001	PIPE, DRAIN (M1, M2, M4, M5, M6)

Expanded Model Nomenclature

M1 - GPCM32441AA
M2 - GPCM33041AA
M3 - GPCM33641AA
M4 - GPCM34241AA
M5 - GPCM34841AA
M6 - GPCM36041AA

TUBING ASSEMBLY

TUBING ASSEMBLY



TUBING ASSEMBLY MAY DIFFER FROM WHAT IS SHOWN

TUBING ASSEMBLY

Ref. Part No:	Part No:	Description:	Ref. Part No:	Part No:	Description:
---------------	----------	--------------	---------------	----------	--------------

Image 1:

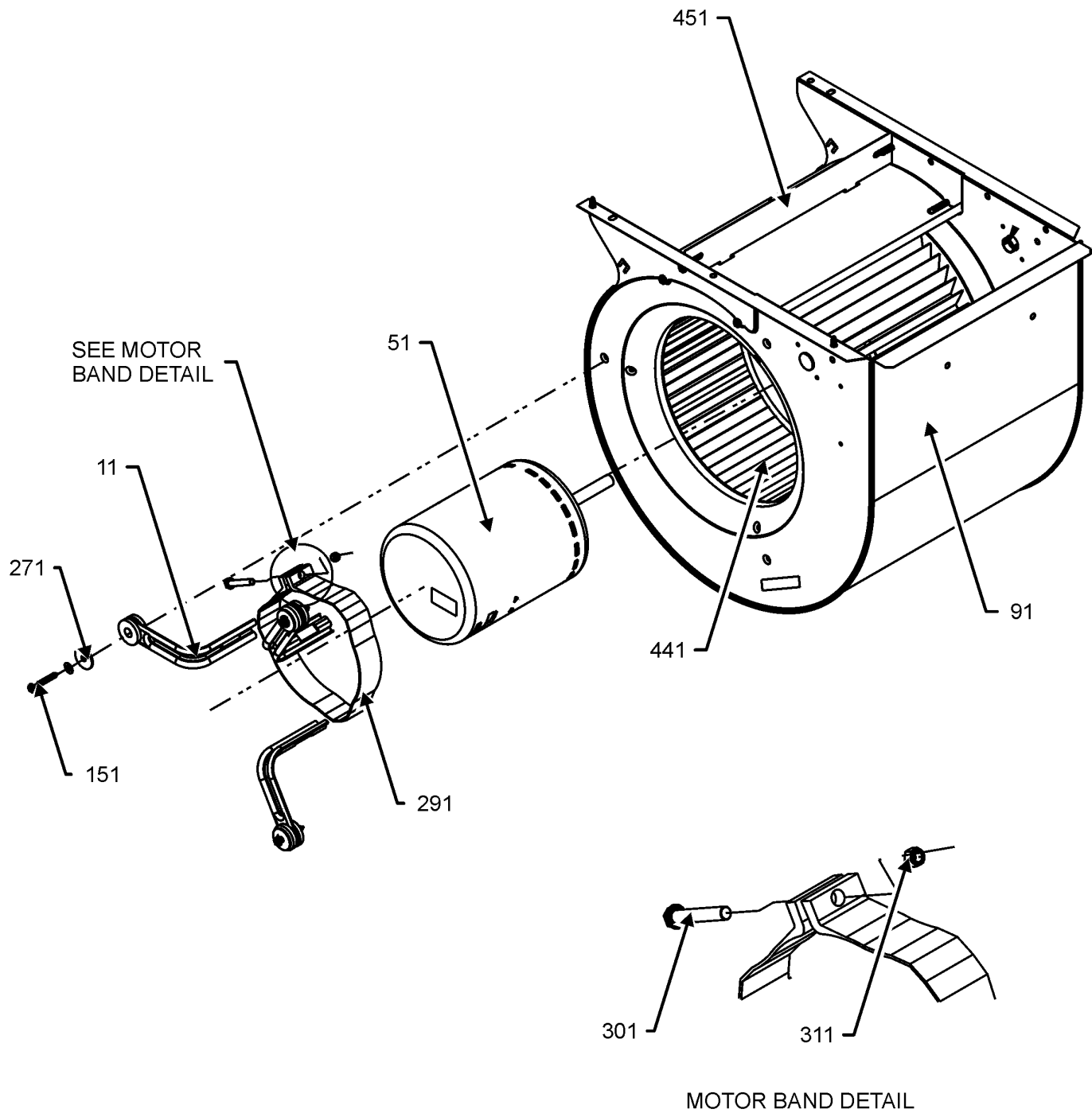
21	0130M00074	HIGH PRESSURE SWITCH
31	0162G00007	SINGLE-FLOW FILTER DRIER,STL (M4, M5, M6)
31	0162G00008	SINGLE-FLOW FILTER DRIER,STL (M1, M2, M3)
111	ZP34K6EPFV120	COMP, 46500, 208/230/60/1 (M4)
111	ZP20K5EPFV130	COMP,20000,208/230/60/1 (M1)
111	ZP25K5EPFV130	COMP,25200,208/230/60/1 (M2)
111	ZP31K5EPFV130	COMP,31100,208/230/60/1 (M3)
111	ZP40K7EPFV130	COMPRESSOR, COPELAND (M5)
111	ZP51K7EPFV130	COMPRESSOR, COPELAND (M6)
121	M0221641	SCREW SHOULD TF (QTY 4)
131	B1339533	GROMMET, COMPRESSOR (QTY 4)
201	0201G00463	COND COIL ASSY (M4, M5)
201	0201G00464	COND COIL ASSY (M6)
201	0201G00142	COND COIL TUBING ASSY (M1, M2)
201	0201G00249	CONDENSER COIL ASSY (M3)
301	0202G00777	ASSY., COIL TUBING (M4)
301	0202G00778	ASSY., COIL TUBING (M5)
301	0202G00573	COIL TUBING ASSY (M3)
301	0202G00576	COIL TUBING ASSY (M1)
301	0202G00705	COIL TUBING ASSY (M2)
301	0202G00723	COIL TUBING ASSY (M6)
321	0121G00509	SHIELD DRIP
NS	B1373315	ACCESS FITTING (QTY 2)
NS	0163M00175	CAP WITH O RING (QTY 2)
NS	0159G00014	HARNESS-COMP SCROLL
NS	0151M00075	VALVE TXV R410A (M6)

Expanded Model Nomenclature

M1 - GPCM32441AA
M2 - GPCM33041AA
M3 - GPCM33641AA
M4 - GPCM34241AA
M5 - GPCM34841AA
M6 - GPCM36041AA

BLOWER ASSEMBLY

BLOWER ASSEMBLY



BLOWER ASSEMBLY MAY DIFFER FROM WHAT SHOWN

BLOWER ASSEMBLY

Ref. Part No:	No:	Description:	Ref. Part No:	No:	Description:
---------------	-----	--------------	---------------	-----	--------------

Image 1:

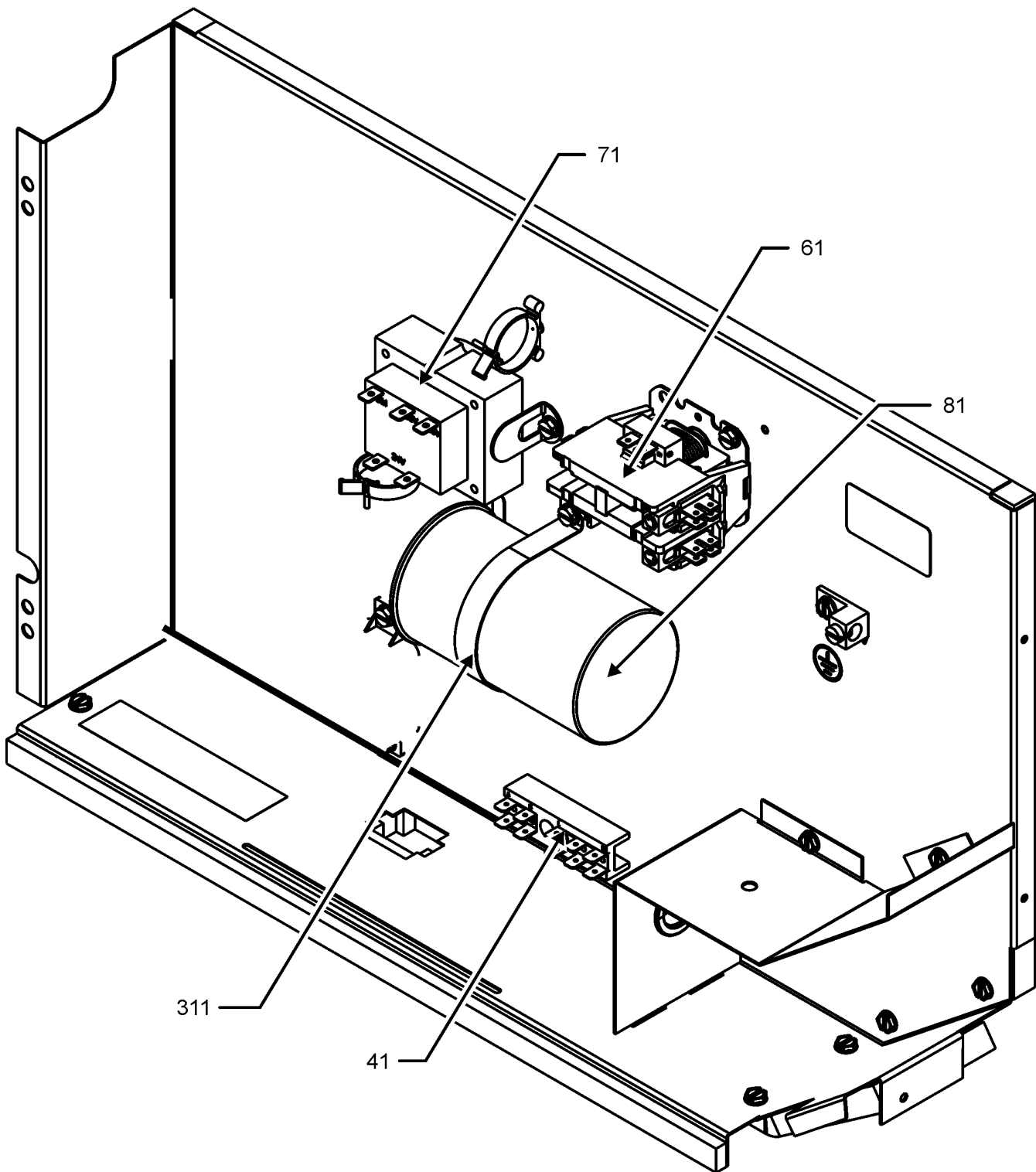
11	B1376857	MOTOR MOUNT ARM (QTY 3)
51	0131M00747M	CONTROLLERLESS MOTOR (M4, M5)
51	0131M00749M	CONTROLLERLESS MOTOR (M6)
51	0131M00750M	CONTROLLERLESS MOTOR (M1, M2, M3)
51	0131G00163	PROGRAMMED CONTROLLER (M1)
51	0131G00164	PROGRAMMED CONTROLLER (M2)
51	0131G00165	PROGRAMMED CONTROLLER (M3)
51	0131G00166	PROGRAMMED CONTROLLER (M4)
51	0131G00167	PROGRAMMED CONTROLLER (M5)
51	0131G00168	PROGRAMMED CONTROLLER (M6)
91	0271G00024	BLOWER HOUSING ASSY 10X9
151	M0250565	SCREW TC 1.25 (QTY 3)
271	B1392918	WASHER FLAT 1/4 ID X 1 OD (QTY 3)
291	0121M00038	MOUNT BAND MOTOR
301	B1393323	SCREW MACH HWH 1/4 20X1 1/2BZ
311	B1393800	LOCKNUT NYLON INSERT 1/4 20
441	D6723303	WHEEL BLOWER
451	764742	BLOCK OFF - BLOWER
NS	0259G00155	BLOWER HARNESS ASSEMBLY
NS	M0221817	SCREW SM (QTY 4)

Expanded Model Nomenclature

M1 - GPCM32441AA
M2 - GPCM33041AA
M3 - GPCM33641AA
M4 - GPCM34241AA
M5 - GPCM34841AA
M6 - GPCM36041AA

CONTROL BOX ASSEMBLY

CONTROL BOX ASSEMBLY



CONTROL BOX ASSEMBLY MAY DIFFER FROM WHAT IS SHOWN

CONTROL BOX ASSEMBLY

Ref. Part No:	No:	Description:	Ref. Part No:	No:	Description:
---------------	-----	--------------	---------------	-----	--------------

Image 1:

41	802007090	TERM BOARD
61	CONT1P030024V	CONT, 1 POLE, 30 AMP, 24 VAC (M1, M2, M3)
61	CONT2P040024V	CONT, 2 POLE, 40 AMP, 24 VAC (M4, M5, M6)
71	0130M00138	TRANSFORMER 208/230 24V
81	CAP100700440CT	CAP, 10/70 MFD/ 440V/ DUAL RD (M6)
81	CAB050350440CS	CAP, 5/35 MFD/440V RD - BPRF (M1)
81	CAB050400440CT	CAP, 5/40 MFD/440V RD - BPRF (M2, M5)
81	CAB050450440CT	CAP, 5/45 MFD/440V RD - BPRF (M3, M4)
311	20520901	STRAP-CAPACITOR
NS	0259G00148	HARNESS, 12-PIN, FEMALE
NS	0159G00014	HARNESS-COMP SCROLL

Expanded Model Nomenclature

- | |
|------------------|
| M1 - GPCM32441AA |
| M2 - GPCM33041AA |
| M3 - GPCM33641AA |
| M4 - GPCM34241AA |
| M5 - GPCM34841AA |
| M6 - GPCM36041AA |