

**GMVM 97% ECM Up Flow Furnace**

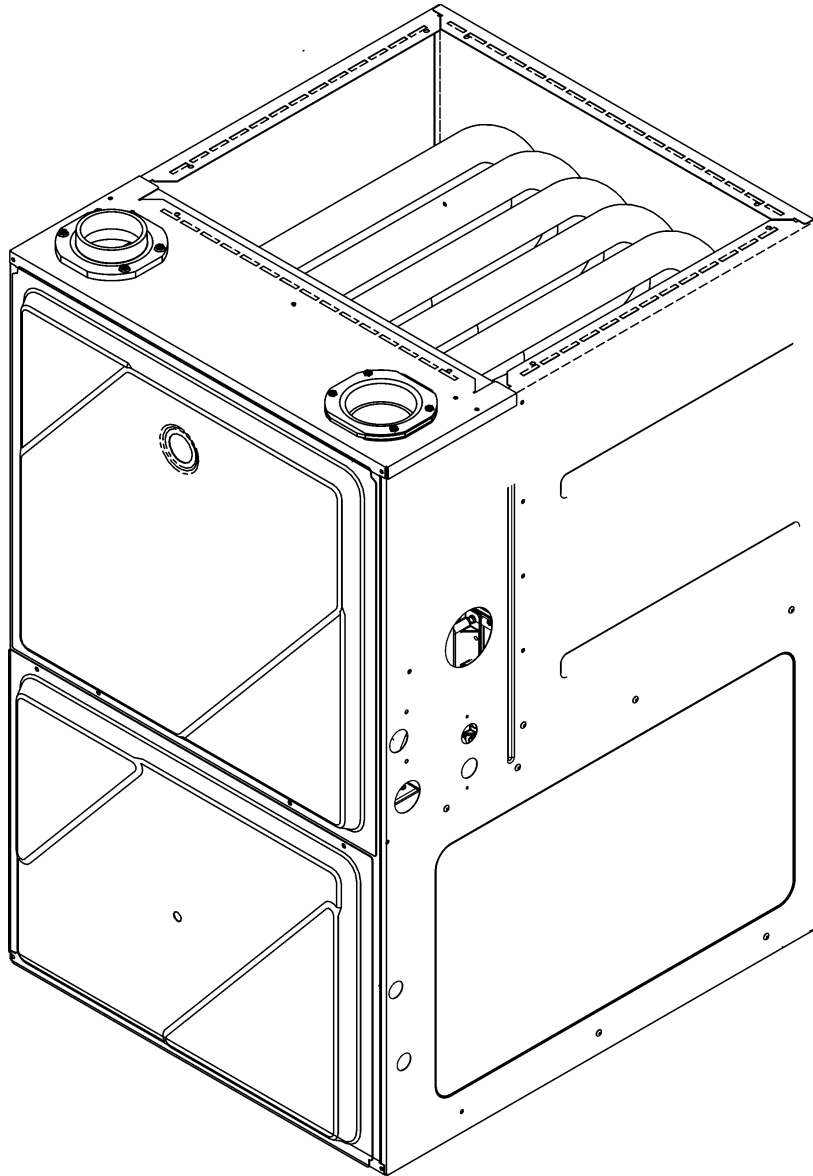
GMVM970603BNAA

GMVM970803BNAA

GMVM970804CNAA

GMVM971005CNAA

GMVM971205DNAA



This manual is to be used by qualified technicians only.

© 2014 Goodman Company, L.P. ♦ 5151 San Felipe St., Suite 500 ♦ Houston, TX 77056

# Important Information

---

## Index

Functional Parts List .....	3
Illustration and Parts .....	4 - 11

*Views shown are for parts illustrations only, not servicing procedures*

Short 90% Gas Furnace Project

### Text Codes:

AR - As Required

NA - Not Available

NS - Not Shown

00000000 - See Note

QTY - Quantity Example (QTY 3) (If Quantity not shown, Quantity = 1)

M - Model Example (M1) (If M Code not shown, then part is used on all Models)

### Expanded Model Nomenclature:

Example M1 - Model#1 M2 - Model#2 M3 - Model#3
---

Goodman Company, L.P. is not responsible for personal injury or property damage resulting from improper service. Review all service information before beginning repairs.

Warranty service must be performed by an authorized technician, using authorized factory parts. If service is required after the warranty expires, Goodman Company, L.P. also recommends contacting an authorized technician and using authorized factory parts.

Goodman Company, L.P. reserves the right to discontinue, or change at any time, specifications or designs without notice or without incurring obligations.

For assistance within the U.S.A. contact:

Consumer Affairs Department

Goodman Company, L.P.

7401 Security Way

Houston, Texas 77040

877-254-4729-Telephone

713-863-2382-Facsimile

For assistance outside the U.S.A. contact:

International Division

Goodman Company, L.P.

7401 Security Way

Houston, Texas 77040

713-861-2500-Telephone

713-863-2382-Facsimile

# Functional Parts

## Part

## No: Description:

---

0163F00017	BECKETT BURNER (QTY A/R)
0271F00159	BLOWER SHELL & WHEEL ASSY (M1, M2)
0271F00161	BLOWER SHELL & WHEEL ASSY (M3, M4)
0271F00163	BLOWER SHELL & WHEEL ASSY (M5)
0271F00159	BLOWER SHELL & WHEEL ASSY (M1, M2)
0271F00161	BLOWER SHELL & WHEEL ASSY (M3, M4)
0271F00163	BLOWER SHELL & WHEEL ASSY (M5)
0130F00294	DATA, FURNACE PCB (M3)
0130F00293	DATA, FURNACE PCB (M2)
0130F00296	DATA, FURNACE PCB (M5)
0130F00292	DATA, FURNACE PCB (M1)
0130F00295	DATA, FURNACE PCB (M4)
0130F00010	FLAME SENSOR
0151M00024	GAS VAVLE
0257F00260	HEAT EXCHANGER ASSY (M4)
0257F00238	HEAT EXCHANGER ASSY (M3)
0257F00254	HEAT EXCHANGER ASSY (M2)
0257F00257	HEAT EXCHANGER ASSY (M5)
0257F00237	HEAT EXCHANGER ASSY (M1)
B1370818	INTERLOCK SWITCH
10123529	MANUAL RESET LIMIT - ROS (QTY 2)
0131M00272	MOTOR, 1 HP, SERIAL ECM (M4, M5)
0131M00270	MOTOR, 1/2 HP, SERIAL ECM (M1, M2)
0131M00271	MOTOR, 3/4 HP, SERIAL ECM (M3)
0130F00481	PRESSURE SWITCH (-.1 (COL BOX))
0130F00483	PRESSURE SWITCH (-.17 / -.86) (M4, M5)
0130F00482	PRESSURE SWITCH (-.17 / -.86) (M1, M2, M3)
20162903	PRIMARY LIMIT - BLUE (M3, M4)
0130F00038	PRIMARY LIMIT - LT BLUE 120°(AUX) (QTY 2)
0130F00036	PRIMARY LIMIT - PINK (M5)
20162906	PRIMARY LIMIT - WHITE (M2)
20162904	PRIMARY LIMIT-TEMPERATURE CONTROL (M1)
0130F00008	SINI IGNITOR
0130M00140	TRANSFORMER, 120V TO 24V,40VA

### SPECIAL PARTS

0161F00000P GOODMAN NAMEPLATE

### Expanded Model Nomenclature

M1 - GMVM970603BNAA
M2 - GMVM970803BNAA
M3 - GMVM970804CNAA
M4 - GMVM971005CNAA
M5 - GMVM971205DNAA

# Cabinet

Image 1

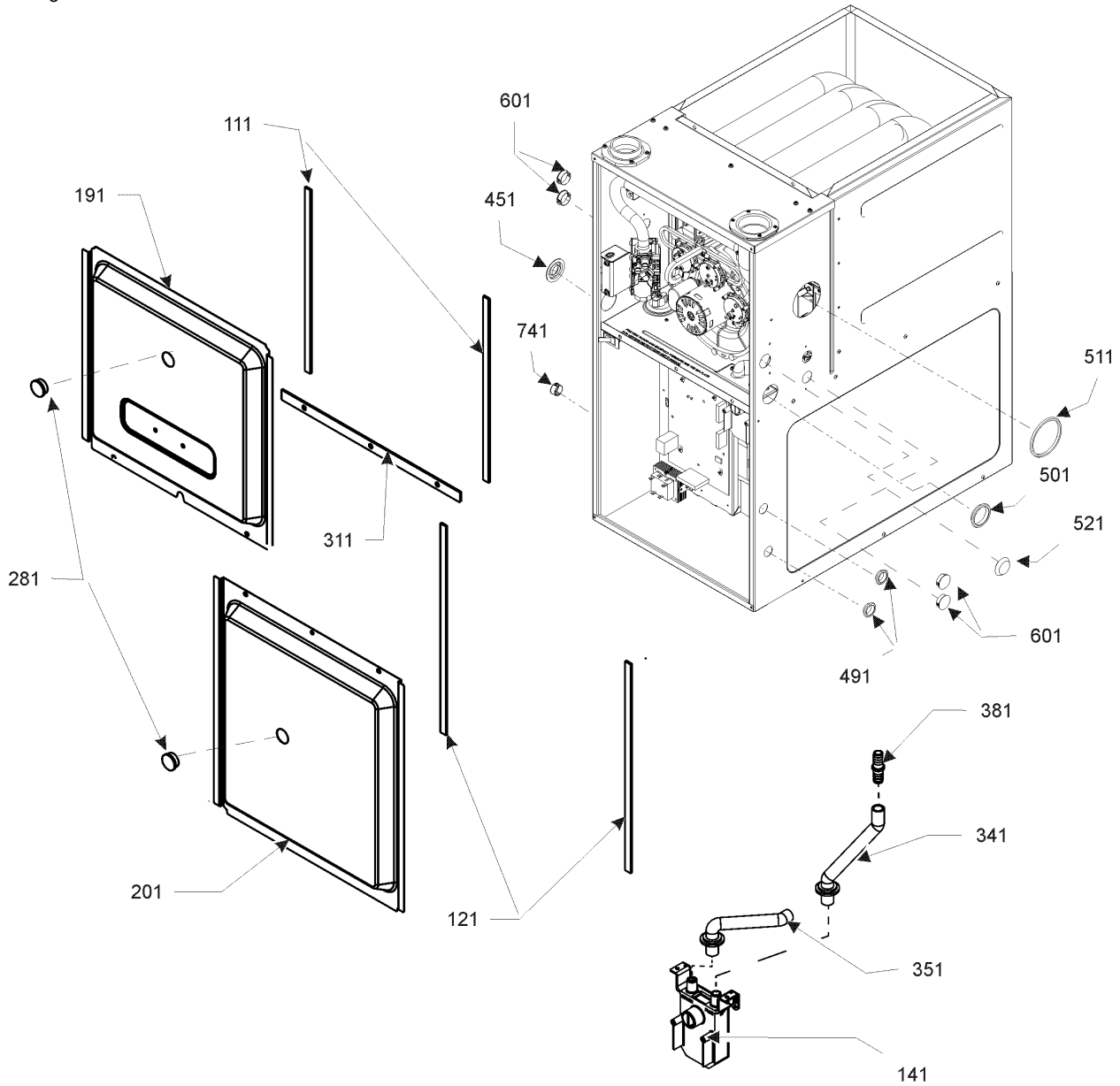
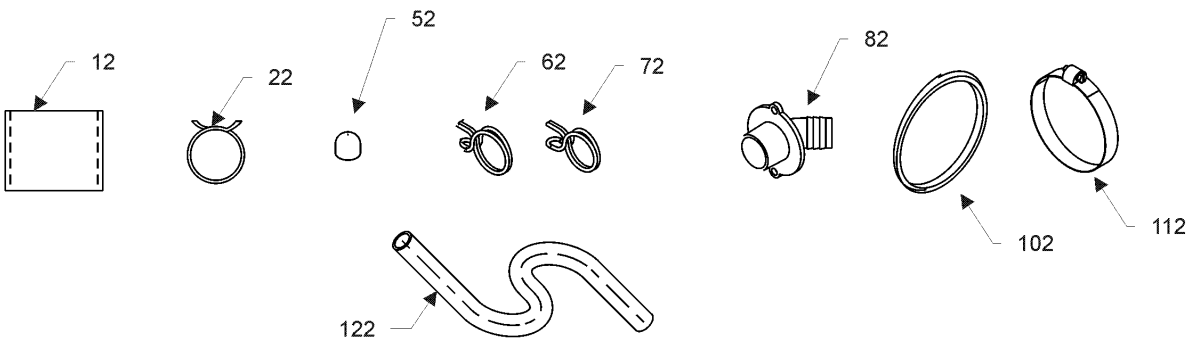


Image 2



# Cabinet

Ref. Part No: No:	Description:	Ref. Part No: No:	Description:
-------------------	--------------	-------------------	--------------

**Image 1:**

111	0154F00024	GASKET (QTY 2)
121	0154F00023	GASKET (QTY 2)
141	0161F00046	DRAIN TRAP
191	0121F00292DG	DOOR ACCESS 21" PNT (M3, M4)
191	0121F00291DG	DOOR, ACCESS 17.5" PNT (M1, M2)
191	0121F00293DG	DOOR, ACCESS 24.5" PNT (M5)
201	0121F00288DG	DOOR, BLOWER 17.5" PNT (M1, M2)
201	0121F00289DG	DOOR, BLOWER 21" PNT (M3, M4)
201	0121F00290DG	DOOR, BLOWER 24.5" PNT (M5)
281	B1392139	VIEW PORT BUSHING-BLOWER DOOR (QTY 2)
311	0154F00020	DECK GASKET (M1, M2)
311	0154F00021	DECK GASKET (M3, M4)
311	0154F00022	DECK GASKET (M5)
341	0164F00007	ELBOW/TRAP HOSE
351	0164F00006	COVER/TRAP HOSE
381	0161F00047	BARDED HOSE COUPLING
451	M0501301	PIPE GROMMET
491	M0570808	BUTTON PLUG (QTY 3)
501	M0570806	BUTTON PLUG
511	M0570807	BUTTON PLUG
521	0161M00027	HOLE PLUG
601	B1392021	PLASTIC PLUG, 1" (2713-BLK) (QTY 4)
741	B1392104	UNIVERSAL BUSHING UB 875
NS	M0310345	BUTTON PLUG (QTY 2)
NS	0161F00000P	GOODMAN NAMEPLATE
NS	0163M00049	HOSE CLAMP (QTY 2)

**Image 2:**

12	10254303	RUBBER COUPLING
22	M0119207	HOSE CLAMP (QTY 3)
52	A1781105	VINYL CAP .500
62	B1810011	HOSE CLAMP 1.25
72	B1810005	VINYL CAP CLAMP
82	0161F00048	45 DEGREE BARB/PVC PIPE COUPLING
102	M0570807	BUTTON PLUG
112	0163M00049	HOSE CLAMP (QTY 2)
122	0164M00002	PRESSURE SWITCH HOSE

**Expanded Model Nomenclature**

- |                     |
|---------------------|
| M1 - GMVM970603BNAA |
| M2 - GMVM970803BNAA |
| M3 - GMVM970804CNAA |
| M4 - GMVM971005CNAA |
| M5 - GMVM971205DNAA |

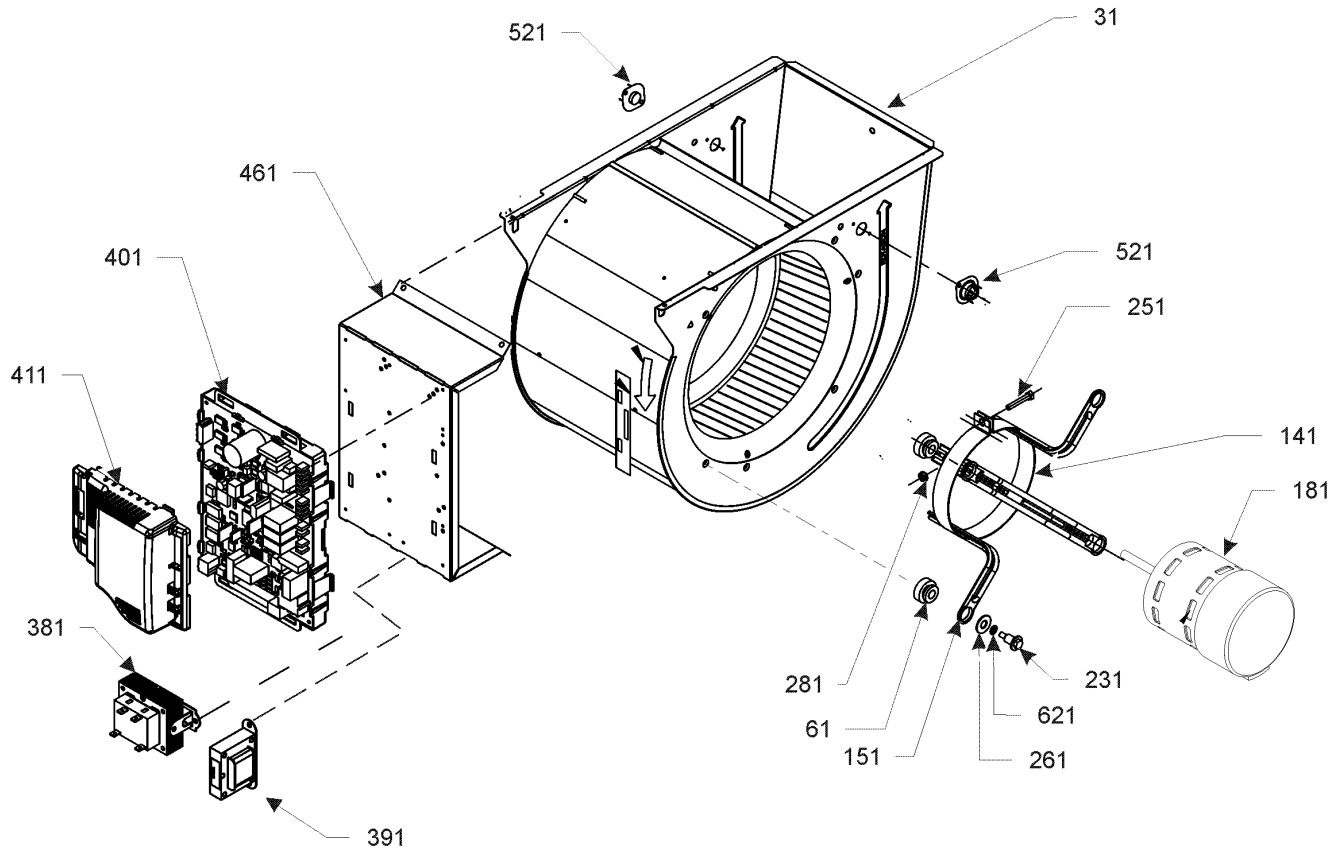
# Blower Assembly

\*If end bells are needed please order the following:

0131M00182 - 1/2 HP

0131M00183 - 3/4 HP

0131M00184 - 1 HP



# Blower Assembly

Ref. Part No: No:	Description:	Ref. Part No: No:	Description:
<i>Image 1:</i>			
31	0271F00159		BLOWER SHELL & WHEEL ASSY (M1, M2)
31	0271F00161		BLOWER SHELL & WHEEL ASSY (M3, M4)
31	0271F00163		BLOWER SHELL & WHEEL ASSY (M5)
61	A4002702		BLOWER MOTOR GROMMET (M3, M4, M5)
141	0121M00038		MOTOR MOUNT BAND (M1, M2)
141	10441601		MOTOR MOUNT BAND (M3, M4, M5)
151	10441501		MOTOR MOUNT ARM (M3, M4, M5)
151	B1376857		MOTOR MOUNT ARM (M1, M2)
181	0131M00272		MOTOR, 1 HP, SERIAL ECM (M4, M5)
181	0131M00270		MOTOR, 1/2 HP, SERIAL ECM (M1, M2)
181	0131M00271		MOTOR, 3/4 HP, SERIAL ECM (M3)
191	0271F00159		BLOWER SHELL & WHEEL ASSY (M1, M2)
191	0271F00161		BLOWER SHELL & WHEEL ASSY (M3, M4)
191	0271F00163		BLOWER SHELL & WHEEL ASSY (M5)
231	M0221461		TC SCREW (M3, M4, M5)
231	M0250565		TC SCREW 1.25" (M1, M2)
251	M0267144		MACHINE SCREW (M3, M4, M5)
251	B1393323		MACHINE SCREW HWH 1/4-20 X 1-1/2 BZ (M1, M2)
261	B1392918		FLAT WASHER (M1, M2)
261	M0274008		FLAT WASHER (M3, M4, M5)
281	M0282015		KEPS NUT (M3, M4, M5)
281	B1393800		LOCKNUT, NYLON, INSERT 1/4, 20 (M1, M2)
381	0130M00140		TRANSFORMER, 120V TO 24V,40VA
401	PCBKF201		PCB, FURNACE CONTROL
411	0161F00014		CONTROL BOARD COVER
461	0121F00464		CONTROL MOUNTING PLATE
521	0130F00038		PRIMARY LIMIT - LT BLUE 120°(AUX) (QTY 2)
621	B1392820		SLIT LOCK WASHER (M3, M4, M5)
NS	B1392021		1" PLASTIC PLUG (QTY 4)
NS	0259F00040		CONTROL HARNESS
NS	0130F00292		DATA, FURNACE PCB (M1)
NS	0130F00293		DATA, FURNACE PCB (M2)
NS	0130F00294		DATA, FURNACE PCB (M3)
NS	0130F00295		DATA, FURNACE PCB (M4)
NS	0130F00296		DATA, FURNACE PCB (M5)
NS	0259F00024		HARNESS - BLOWER
NS	0259F00041		POWER HARNESS HIGH VOLTAGE

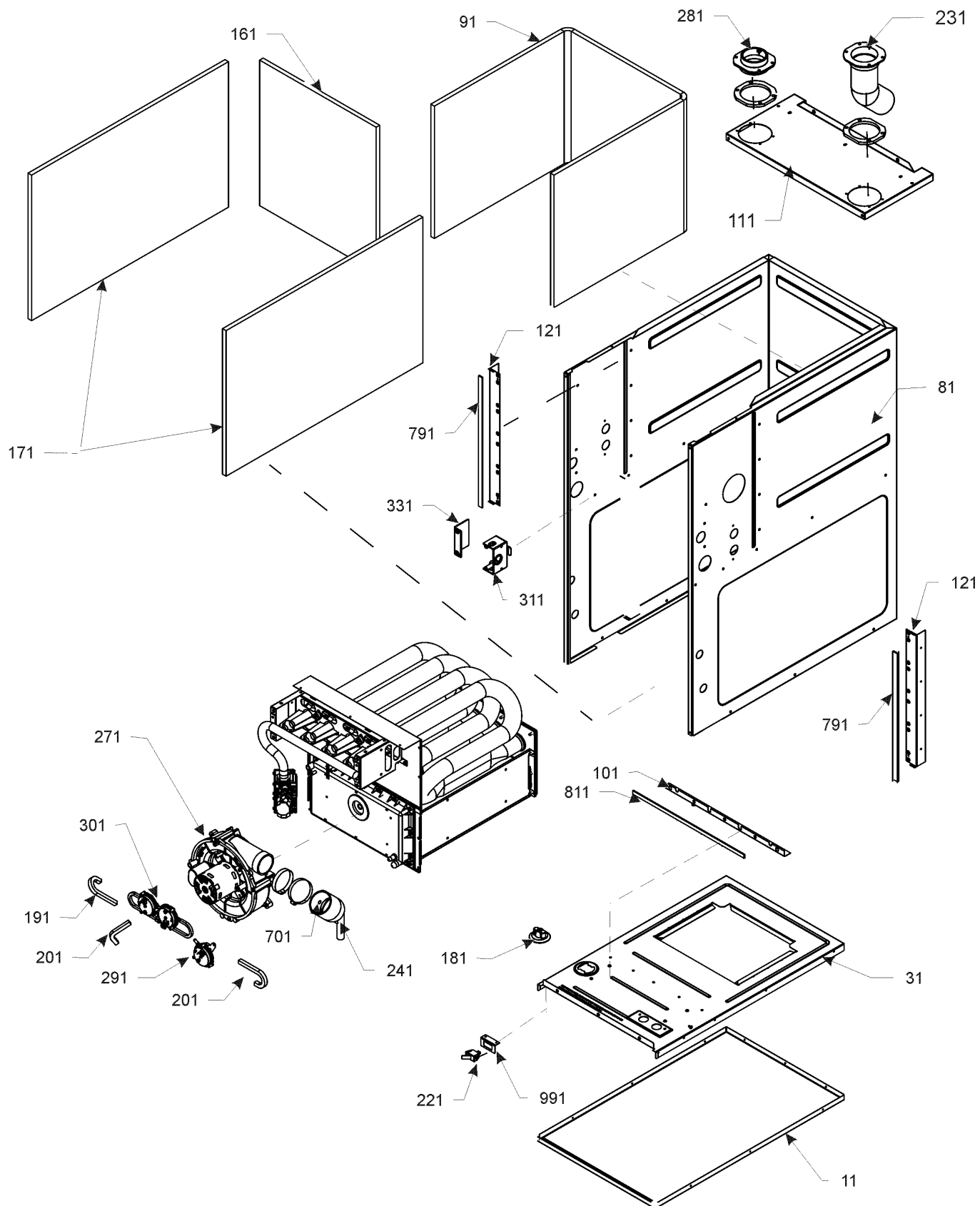
## Expanded Model Nomenclature

M1 - GMVM970603BNAA
M2 - GMVM970803BNAA
M3 - GMVM970804CNAA
M4 - GMVM971005CNAA
M5 - GMVM971205DNAA

\*If end bells are needed please order the following:

0131M00182 - 1/2 HP  
 0131M00183 - 3/4 HP  
 0131M00184 - 1 HP

# Chassis





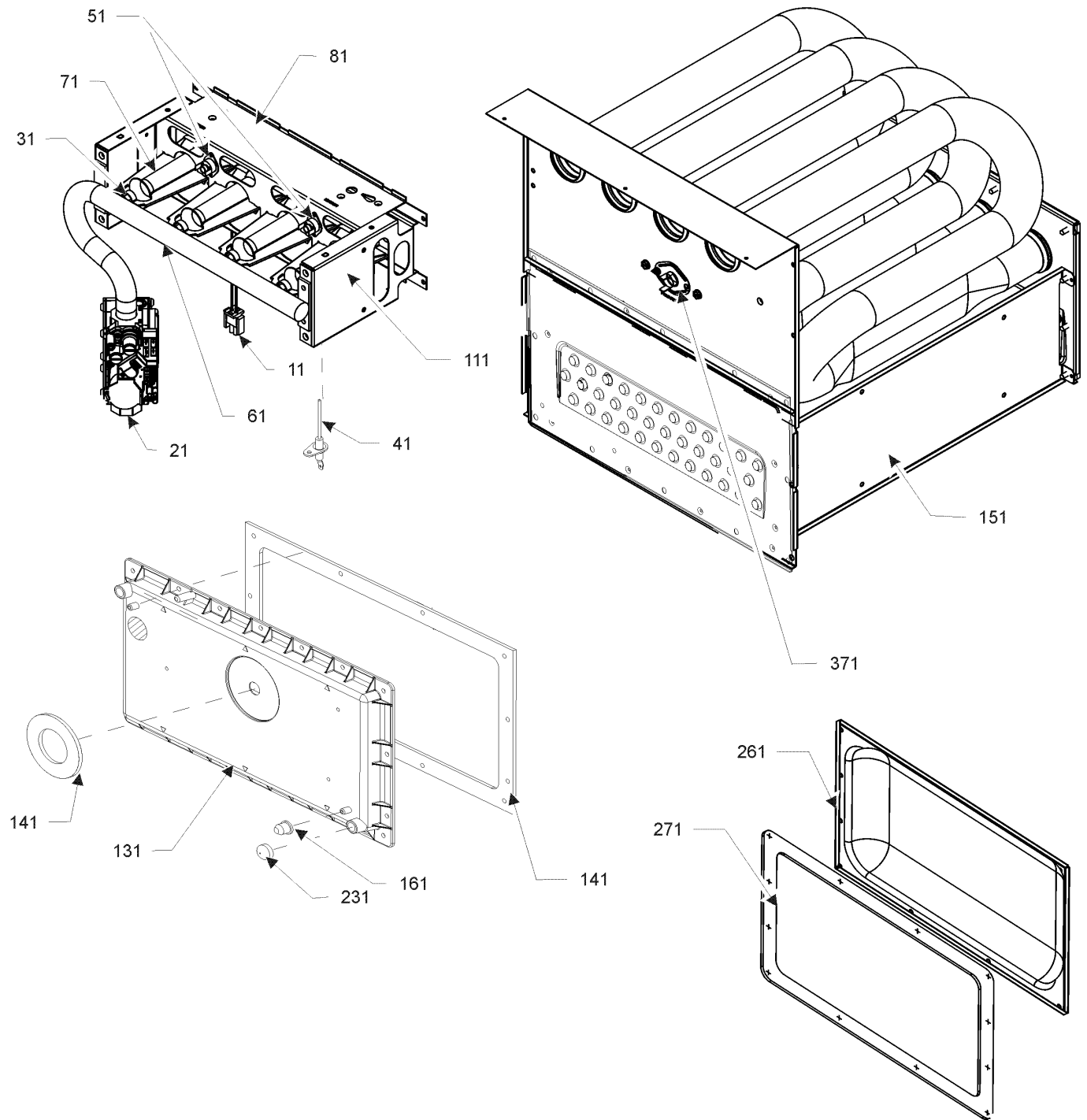
# Chassis

Ref. Part No: No:	Description:	Ref. Part No: No:	Description:
<b>Image 1:</b>			
11	0121F00386DG		BASEPAN, UPFLOW PNT (M1, M2)
11	0121F00387DG		BASEPAN, UPFLOW PNT (M3, M4)
11	0121F00388DG		BASEPAN, UPFLOW PNT (M5)
31	0121F00285		DECK, BLOWER 17.5 (M1, M2)
31	0121F00286		DECK, BLOWER 21 (M3, M4)
31	0121F00287		DECK, BLOWER 24.5 (M5)
81	0121F00282		WRAPPER, 17.5 (M1, M2)
81	0121F00283		WRAPPER, 21 (M3, M4)
81	0121F00284		WRAPPER, 24.5 (M5)
91	0160F00015		INSULATION, HT EXCHANGER 17.5" (M1, M2)
91	0160F00016		INSULATION, HT EXCHANGER 21" (M3, M4)
91	0160F00017		INSULATION, HT EXCHANGER 24.5" (M5)
101	0121F00314		ANGLE, DECK (M1, M2)
101	0121F00315		ANGLE, DECK (M3, M4)
101	0121F00316		ANGLE, DECK (M5)
111	0121F00279DG		PAINTED TOP, FURNACE 17.5 (M1, M2)
111	0121F00280DG		PAINTED TOP, FURNACE 21 (M3, M4)
111	0121F00281DG		PAINTED TOP, FURNACE 24.5 (M5)
121	0121F00313		SIDE ANGLE (QTY 2)
161	0160F00012		INSULATION-BACK 17.5" (M1, M2)
161	0160F00013		INSULATION-BACK 21" (M3, M4)
161	0160F00014		INSULATION-BACK 24.5" (M5)
171	0160F00018		INSULATION, SIDE (QTY 2)
181	0159F00024		HARNESS, WIRING (M1, M2)
181	0159F00025		HARNESS, WIRING (M3, M4, M5)
191	0164M00007		PRESSURE SWITCH HOSE (M1, M2)
191	0164M00009		PRESSURE SWITCH HOSE (M3, M4)
191	0164M00031		PRESSURE SWITCH HOSES 14" (M5)
201	0164M00019		PRESSURE SW HOSE, 6" (QTY 2)
221	B1370818		INTERLOCK SWITCH
231	0164F00002		FLUE PIPE W/BEND
241	0164F00001		ELBOW-FLUE, UPFLOW
271	0171M00003		MOTOR-ID, BLOWER
281	0161F00037		COUPLING
291	0130F00481		PRESSURE SWITCH (-.1 (COL BOX))
301	0130F00483		PRESSURE SWITCH (-.17 / -.86) (M4, M5)
301	0130F00482		PRESSURE SWITCH (-.17 / -.86) (M1, M2, M3)
311	0161F00042		JUNCTION BOX
331	0161F00043		JUNCTION BOX LID
701	M0326804		TUBE PLUG
791	0154F00015		GASKET (QTY 2)
811	0154F00014		GASKET (M1, M2)
811	0154F00016		GASKET (M3, M4)
811	20194607		GASKET (M5)
991	0121F00389		BRACKET, DOOR SWITCH

## Expanded Model Nomenclature

M1 - GMVM970603BNAA
M2 - GMVM970803BNAA
M3 - GMVM970804CNAA
M4 - GMVM971005CNAA
M5 - GMVM971205DNAA

# Heat Exchanger / Manifold / Gas Valve



# Heat Exchanger / Manifold / Gas Valve

Ref. Part No: No:	Description:	Ref. Part No: No:	Description:
<b>Image 1:</b>			
11	0130F00008		SINI IGNITOR
21	0151M00024		GAS VAVLE
31	0163F00004		ORIFICE (QTY A/R)
41	0130F00010		FLAME SENSOR
51	10123529		MANUAL RESET LIMIT - ROS (QTY 2)
61	0163F00008		MANIFOLD (M1)
61	0163F00009		MANIFOLD (M3)
61	0163F00010		MANIFOLD (M4)
61	0163F00011		MANIFOLD (M5)
61	0163F00014		MANIFOLD (M2)
71	0163F00017		BECKETT BURNER (QTY A/R)
81	0121F00455		BRACKET-BURNER 3 (M1)
81	0121F00454		BRACKET-BURNER 4 (M2, M3)
81	0121F00453		BRACKET-BURNER 5 (M4)
81	0121F00451		BRACKET-BURNER 6 (M5)
111	0121F00458		ORIFICE BRACKET-BURNER 3 (M1)
111	0121F00457		ORIFICE BRACKET-BURNER 4 (M2, M3)
111	0121F00452		ORIFICE BRACKET-BURNERS 5 (M4)
111	0121F00447		ORIFICE BRACKET-BURNERS 6 (M5)
131	0161F00018		FRONT COVER (M4)
131	0161F00031		FRONT COVER (M2)
131	0161F00056		FRONT COVER (M1)
131	0161F00065		FRONT COVER (M3)
131	0161F00066		FRONT COVER (M5)
141	0154F00011		FRONT GASKET (M1, M2)
141	0154F00012		FRONT GASKET (M3, M4)
141	0154F00013		FRONT GASKET (M5)
151	0257F00260		HEAT EXCHANGER ASSY (M4)
151	0257F00237		HEAT EXCHANGER ASSY (M1)
151	0257F00238		HEAT EXCHANGER ASSY (M3)
151	0257F00254		HEAT EXCHANGER ASSY (M2)
151	0257F00257		HEAT EXCHANGER ASSY (M5)
161	M0326804		TUBE PLUG
231	A1781105		CAP-VINYL .500
261	0121F00317		REAR COVER (M1, M2)
261	0121F00318		REAR COVER (M3, M4)
261	0121F00319		REAR COVER (M5)
271	0154F00008		REAR COVER GASKET (M1, M2)
271	0154F00009		REAR COVER GASKET (M3, M4)
271	0154F00010		REAR COVER GASKET (M5)
371	20162903		PRIMARY LIMIT - BLUE (M3, M4)
371	0130F00036		PRIMARY LIMIT - PINK (M5)
371	20162906		PRIMARY LIMIT - WHITE (M2)
371	20162904		PRIMARY LIMIT-TEMPERATURE CONTROL (M1)

## Expanded Model Nomenclature

M1 - GMVM970603BNAA
M2 - GMVM970803BNAA
M3 - GMVM970804CNAA
M4 - GMVM971005CNAA
M5 - GMVM971205DNAA