

GMVC 96% ECM Up Flow Furnace

GMVC960403BNAA

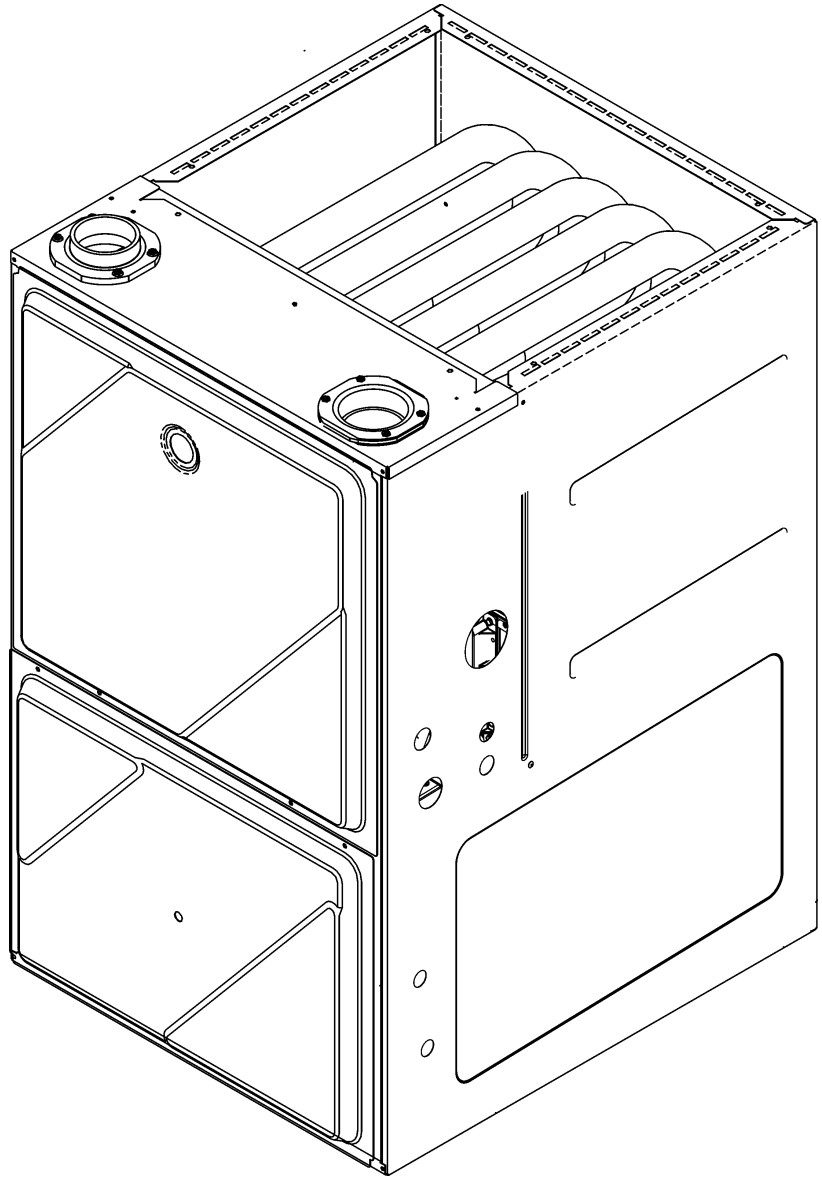
GMVC960603BNAA

GMVC960803BNAA

GMVC960804CNAA

GMVC961005CNAA

GMVC961205DNAA



This manual is to be used by qualified technicians only.

© 2014 Goodman Company, L.P. ♦ 5151 San Felipe St., Suite 500 ♦ Houston, TX 77056

Important Information

Index

Functional Parts List	3
Illustration and Parts	4 - 11

Views shown are for parts illustrations only, not servicing procedures

Short 90% Gas Furnace Project

Text Codes:

AR - As Required

NA - Not Available

NS - Not Shown

00000000 - See Note

QTY - Quantity Example (QTY 3) (If Quantity not shown, Quantity = 1)

M - Model Example (M1) (If M Code not shown, then part is used on all Models)

Expanded Model Nomenclature:

Example M1 - Model#1 M2 - Model#2 M3 - Model#3

Goodman Company, L.P. is not responsible for personal injury or property damage resulting from improper service. Review all service information before beginning repairs.

Warranty service must be performed by an authorized technician, using authorized factory parts. If service is required after the warranty expires, Goodman Company, L.P. also recommends contacting an authorized technician and using authorized factory parts.

Goodman Company, L.P. reserves the right to discontinue, or change at any time, specifications or designs without notice or without incurring obligations.

For assistance within the U.S.A. contact:

Consumer Affairs Department
Goodman Company, L.P.
7401 Security Way
Houston, Texas 77040
877-254-4729-Telephone
713-863-2382-Facsimile

For assistance outside the U.S.A. contact:

International Division
Goodman Company, L.P.
7401 Security Way
Houston, Texas 77040
713-861-2500-Telephone
713-863-2382-Facsimile

Functional Parts

Part No: **Description:**

0163F00017	BECKETT BURNER (QTY A/R)
0271F00159	BLOWER SHELL & WHEEL ASSY (M2, M3)
0271F00161	BLOWER SHELL & WHEEL ASSY (M4, M5)
0271F00163	BLOWER SHELL & WHEEL ASSY (M6)
0150M00043	BLOWER WHEEL 10 X 8 (M1)
0130F00286	DATA, FURNACE PCB (M1)
0130F00287	DATA, FURNACE PCB (M2)
0130F00288	DATA, FURNACE PCB (M3)
0130F00289	DATA, FURNACE PCB (M4)
0130F00290	DATA, FURNACE PCB (M5)
0130F00291	DATA, FURNACE PCB (M6)
0130F00010	FLAME SENSOR
0151M00027S	GAS VALVE
0257F00240	HEAT EXCHANGER ASSY (M4)
0257F00239	HEAT EXCHANGER ASSY (M3)
0257F00236	HEAT EXCHANGER ASSY (M1)
0257F00231	HEAT EXCHANGER ASSY (M2)
0257F00333	HEAT EXCHANGER ASSY (M6)
0257F00280	HEAT EXCHANGER ASSY (M5)
0130M00141	INDUCTOR, 5.9 AMPS (M4, M5, M6)
10123527	MANUAL RESET LIMIT - ROS (M6)
10123534	MANUAL RESET LIMIT - ROS (M5)
0130F00123	MANUAL RESET LIMIT - ROS (M3, M4)
10123539	MANUAL RESET LIMIT - ROS (M1, M2)
0131M00272	MOTOR, 1 HP, SERIAL ECM (M5, M6)
0131M00270	MOTOR, 1/2 HP, SERIAL ECM (M1, M2, M3)
0131M00271S	MOTOR, 3/4 HP, SERIAL ECM (M4)
PCBKF104	PCB, FURNACE CONTROL
0130F00481	PRESSURE SWITCH (-.1 (COL BOX))
0130F00472	PRESSURE SWITCH (-.67 / -1.15) (M5)
0130F00471	PRESSURE SWITCH (-.72 / -.97) (M1)
0130F00474	PRESSURE SWITCH (-.72 / -1.47) (M3, M4)
0130F00444	PRESSURE SWITCH (-.76 / -1.25) (M6)
0130F00473	PRESSURE SWITCH (-.92 / -1.47) (M2)
0130F00038	PRIMARY LIMIT - LT BLUE 120° (AUX) (QTY 2)
0130F00036	PRIMARY LIMIT - PINK (M6)
20162906	PRIMARY LIMIT - WHITE (M5)
0130F00105	PRIMARY LIMIT SWITCH (M2, M3)
20162904	PRIMARY LIMIT-TEMPERATURE CONTROL (M1, M4)
0130F00008S	SINI IGNITOR
0130M00140S	TRANSFORMER, 120V TO 24V,40VA

Expanded Model Nomenclature

M1 - GMVC960403BNAA
M2 - GMVC960603BNAA
M3 - GMVC960803BNAA
M4 - GMVC960804CNAA
M5 - GMVC961005CNAA
M6 - GMVC961205DNAA

SPECIAL PARTS

0161F00000P	GOODMAN NAMEPLATE
-------------	-------------------

Cabinet

Image 1

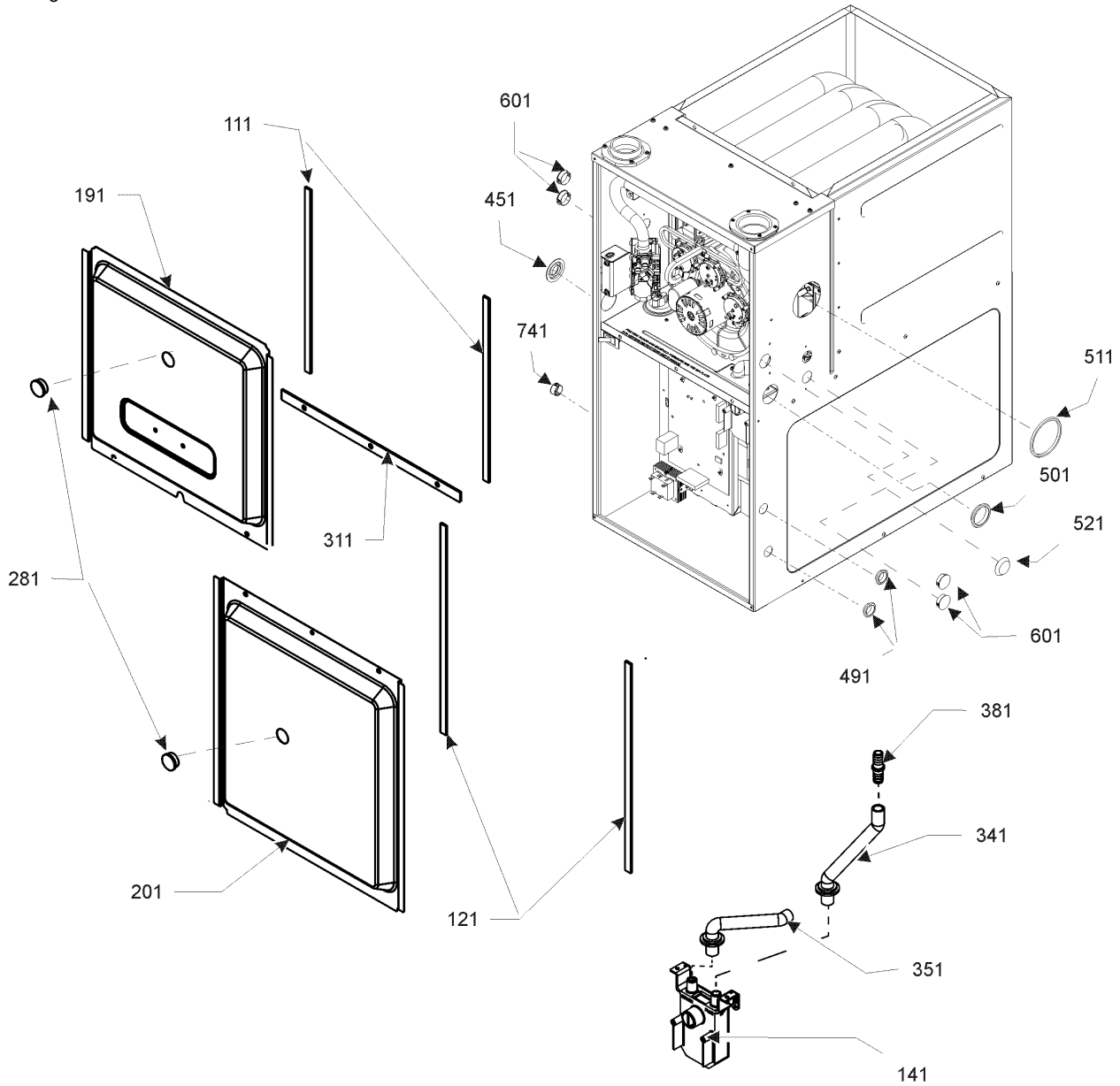
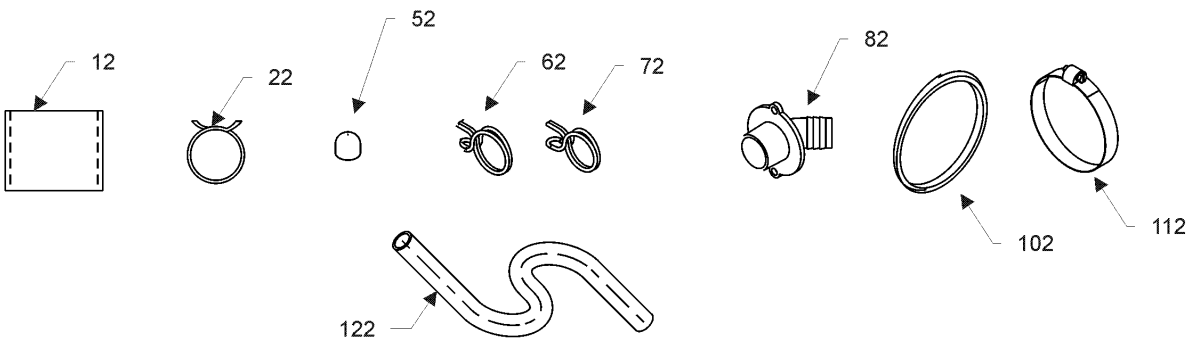


Image 2



Cabinet

Ref. Part No: No:	Description:	Ref. Part No: No:	Description:
-------------------	--------------	-------------------	--------------

Image 1:

111	0154F00024	GASKET (QTY 2)
121	0154F00023	GASKET (QTY 2)
141	0161F00046	DRAIN TRAP
191	0121F00292DG	DOOR ACCESS 21" PNT (M4, M5)
191	0121F00291DG	DOOR, ACCESS 17.5" PNT (M1, M2, M3)
191	0121F00293DG	DOOR, ACCESS 24.5" PNT (M6)
201	0121F00288DG	DOOR, BLOWER 17.5" PNT (M1, M2, M3)
201	0121F00289DG	DOOR, BLOWER 21" PNT (M4, M5)
201	0121F00290DG	DOOR, BLOWER 24.5" PNT (M6)
281	B1392139	VIEW PORT BUSHING-BLOWER DOOR (QTY 2)
311	0154F00020	DECK GASKET (M1, M2, M3)
311	0154F00021	DECK GASKET (M4, M5)
311	0154F00022	DECK GASKET (M6)
341	0164F00007	ELBOW/TRAP HOSE
351	0164F00006	COVER/TRAP HOSE
381	0161F00047	BARDED HOSE COUPLING
451	M0501301	PIPE GROMMET
491	M0570808	BUTTON PLUG (QTY 3)
501	M0570806	BUTTON PLUG
511	M0570807	BUTTON PLUG
521	0161M00027	HOLE PLUG
601	B1392021	PLASTIC PLUG, 1" (2713-BLK) (QTY 4)
741	B1392104	UNIVERSAL BUSHING UB 875
NS	M0310345	BUTTON PLUG (QTY 2)
NS	0270F03140	DRAIN PART BAG ASSY UF
NS	0161F00000P	GOODMAN NAMEPLATE
NS	0163M00049	HOSE CLAMP (QTY 2)
NS	M0501301	PIPE GROMMET

Image 2:

12	10254303	RUBBER COUPLING
22	M0119207	HOSE CLAMP (QTY 3)
52	A1781105	VINYL CAP .500
62	B1810011	HOSE CLAMP 1.25
72	B1810005	VINYL CAP CLAMP
82	0161F00048	45 DEGREE BARB/PVC PIPE COUPLING
102	M0570807	BUTTON PLUG
112	0163M00049	HOSE CLAMP (QTY 2)
122	0164M00002	PRESSURE SWITCH HOSE (QTY 2)

Expanded Model Nomenclature

M1 - GMVC960403BNAA
M2 - GMVC960603BNAA
M3 - GMVC960803BNAA
M4 - GMVC960804CNAA
M5 - GMVC961005CNAA
M6 - GMVC961205DNAA

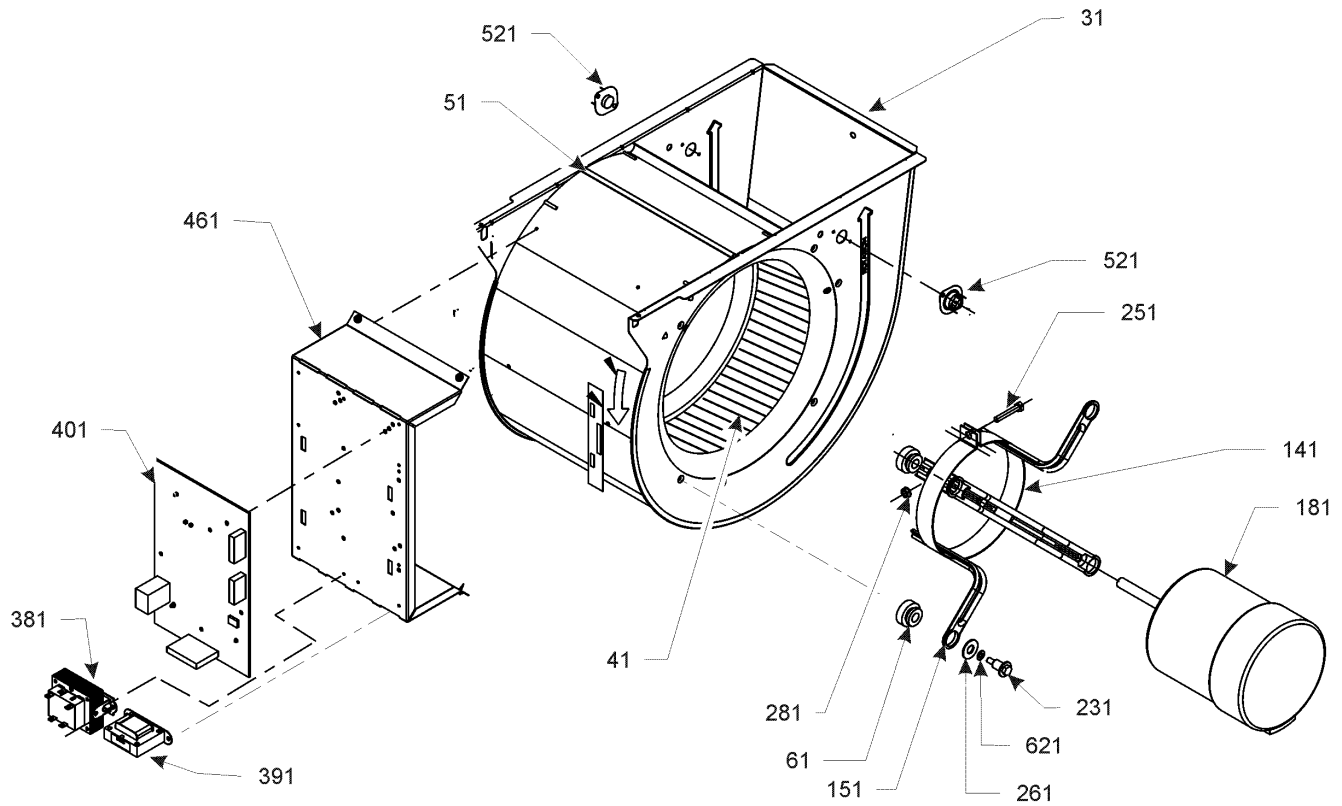
Blower Assembly

*If end bells are needed please order the following:

0131M00182 - 1/2 HP

0131M00183 - 3/4 HP

0131M00184 - 1 HP



Blower Assembly

Ref. Part No:	Ref. Part No:	Description:	Description:
Image 1:			
31	0271F00159	BLOWER SHELL & WHEEL ASSY (M2, M3)	
31	0271F00161	BLOWER SHELL & WHEEL ASSY (M4, M5)	
31	0271F00163	BLOWER SHELL & WHEEL ASSY (M6)	
31	2939203	BLWR SCROLL 10X8 (M1)	
41	0150M00043	BLOWER WHEEL 10 X 8 (M1)	
51	764740	BLWR BLK-OFF,10X8 (M1)	
61	A4002702	BLOWER MOTOR GROMMET (M4, M5, M6)	
141	0121M00038	MOTOR MOUNT BAND (M1, M2, M3)	
141	10441601	MOTOR MOUNT BAND (M4, M5, M6)	
151	10441501	MOTOR MOUNT ARM (M4, M5, M6)	
151	B1376857	MOTOR MOUNT ARM (M1, M2, M3)	
181	0131M00272	MOTOR, 1 HP, SERIAL ECM (M5, M6)	
181	0131M00270	MOTOR, 1/2 HP, SERIAL ECM (M1, M2, M3)	
181	0131M00271S	MOTOR, 3/4 HP, SERIAL ECM (M4)	
231	M0221461	TC SCREW (M4, M5, M6)	
231	M0250565	TC SCREW 1.25" (M1, M2, M3)	
251	OBSOLETE	MACHINE SCREW (M4, M5, M6)	
251	B1393323	MACHINE SCREW HWH 1/4-20 X 1-1/2 BZ (M1, M2, M3)	
261	B1392918	FLAT WASHER (M1, M2, M3)	
261	OBSOLETE	FLAT WASHER (M4, M5, M6)	
281	M0282015	KEPS NUT (M4, M5, M6)	
281	B1393800	LOCKNUT, NYLON, INSERT 1/4, 20 (M1, M2, M3)	
381	0130M00140S	TRANSFORMER, 120V TO 24V,40VA	
391	0130M00141	INDUCTOR, 5.9 AMPS (M4, M5, M6)	
401	PCBKF104	PCB, FURNACE CONTROL	
461	0121F00464	CONTROL MOUNTING PLATE	
521	0130F00038	PRIMARY LIMIT - LT BLUE 120° (AUX) (QTY 2)	
621	B1392820	SLIT LOCK WASHER (M4, M5, M6)	
NS	B1392021	1" PLASTIC PLUG (QTY 4)	
NS	0259F00040	CONTROL HARNESS	
NS	0130F00286	DATA, FURNACE PCB (M1)	
NS	0130F00287	DATA, FURNACE PCB (M2)	
NS	0130F00288	DATA, FURNACE PCB (M3)	
NS	0130F00289	DATA, FURNACE PCB (M4)	
NS	0130F00290	DATA, FURNACE PCB (M5)	
NS	0130F00291	DATA, FURNACE PCB (M6)	
NS	0259F00041	POWER HARNESS HIGH VOLTAGE	
NS	0259F00024	WIRE HARNESS - BLOWER	

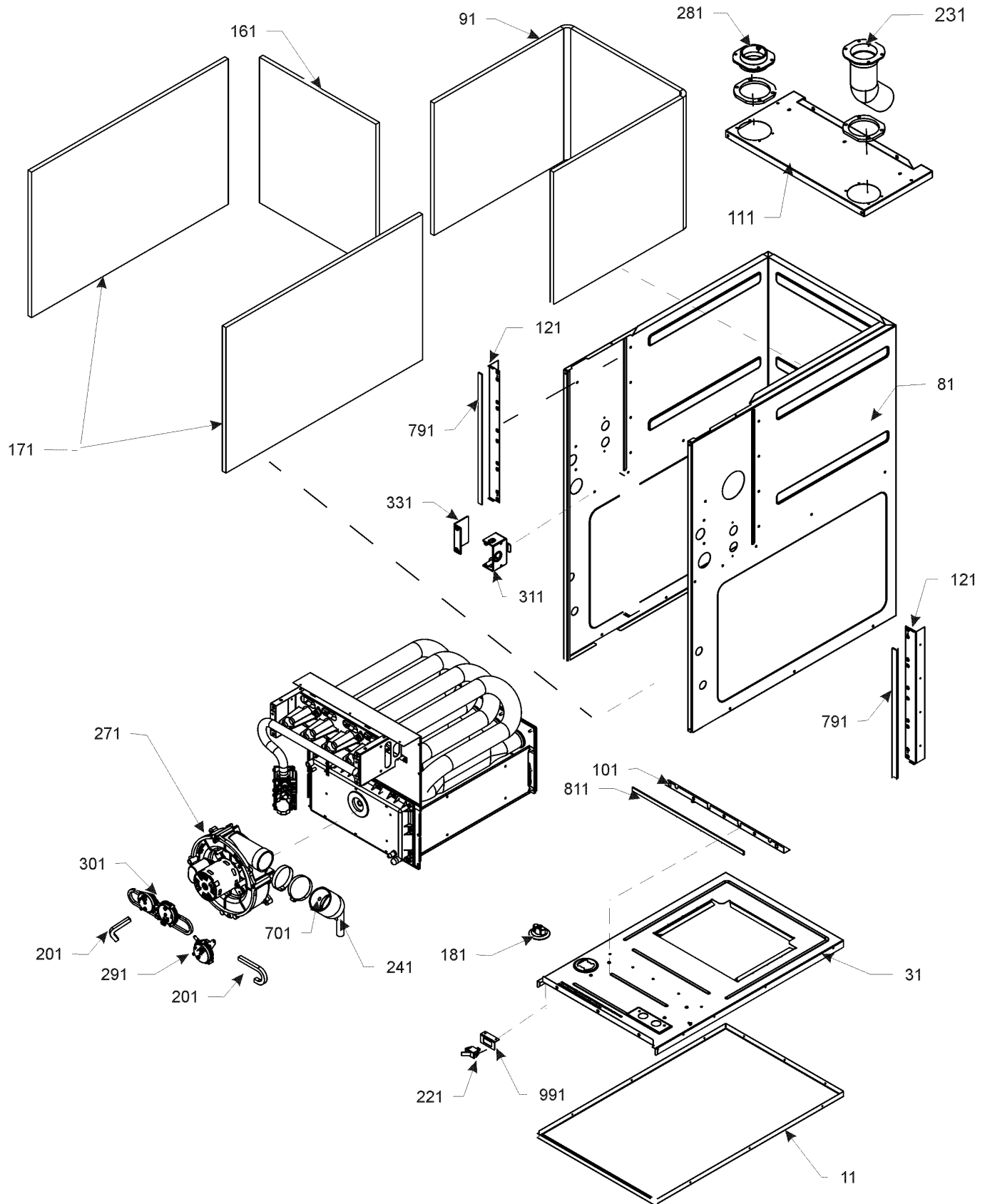
Expanded Model Nomenclature

M1 - GMVC960403BNAA
M2 - GMVC960603BNAA
M3 - GMVC960803BNAA
M4 - GMVC960804CNAA
M5 - GMVC961005CNAA
M6 - GMVC961205DNAA

*If end bells are needed please order the following:

0131M00182 - 1/2 HP
 0131M00183 - 3/4 HP
 0131M00184 - 1 HP

Chassis



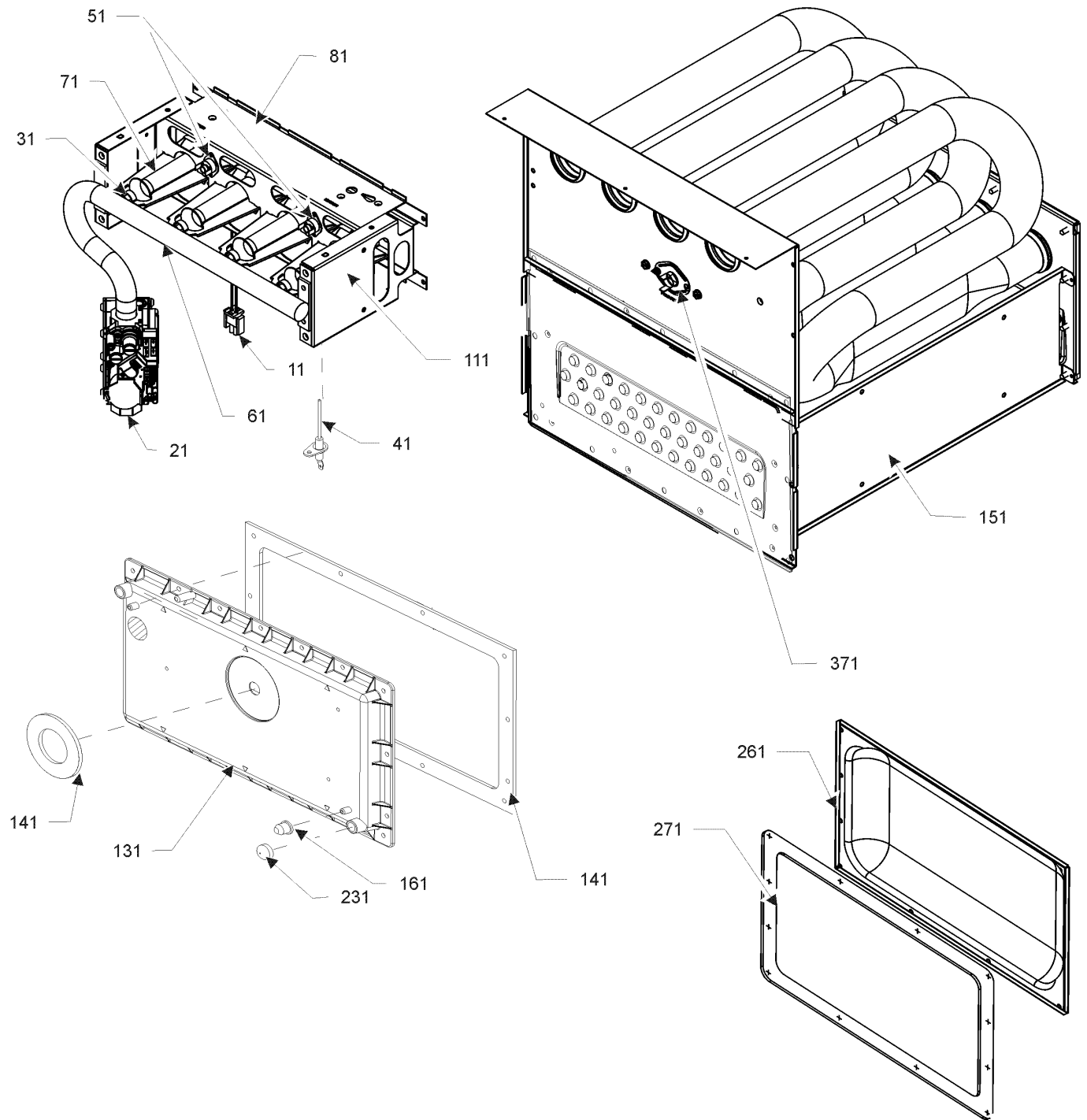
Chassis

Ref. Part No:	Ref. Part No:	Description:	Description:
Image 1:			
11	0121F00386DG	BASEPAN, UPFLOW PNT (M1, M2, M3)	
11	0121F00387DG	BASEPAN, UPFLOW PNT (M4, M5)	
11	0121F00388DG	BASEPAN, UPFLOW PNT (M6)	
31	0121F00285	DECK, BLOWER 17.5 (M1, M2, M3)	
31	0121F00286	DECK, BLOWER 21 (M4, M5)	
31	0121F00287	DECK, BLOWER 24.5 (M6)	
81	0121F00282	WRAPPER, 17.5 (M1, M2, M3)	
81	0121F00283	WRAPPER, 21 (M4, M5)	
81	0121F00284	WRAPPER, 24.5 (M6)	
91	0160F00015	INSULATION, HT EXCHANGER 17.5" (M1, M2, M3)	
91	0160F00016	INSULATION, HT EXCHANGER 21" (M4, M5)	
91	0160F00017	INSULATION, HT EXCHANGER 24.5" (M6)	
101	0121F00314	DECK ANGLE (M1, M2, M3)	
101	0121F00315	DECK ANGLE (M4, M5)	
101	0121F00316	DECK ANGLE (M6)	
111	0121F00279DG	PAINTED TOP, FURNACE 17.5 (M1, M2, M3)	
111	0121F00280DG	PAINTED TOP, FURNACE 21 (M4, M5)	
111	0121F00281DG	PAINTED TOP, FURNACE 24.5 (M6)	
121	0121F00313	SIDE ANGLE (QTY 2)	
161	0160F00012	INSULATION-BACK 17.5" (M1, M2, M3)	
161	0160F00013	INSULATION-BACK 21" (M4, M5)	
161	0160F00014	INSULATION-BACK 24.5" (M6)	
171	0160F00018	INSULATION, SIDE (QTY 2)	
181	0159F00030	HARNESS, WIRING (M4, M5, M6)	
181	0159F00031	HARNESS, WIRING (M1, M2, M3)	
201	0164M00019	PRESSURE HOSE, SW 6" (QTY 2)	
221	B1370818	INTERLOCK SWITCH	
231	0164F00002	FLUE PIPE W/BEND	
241	0164F00001	ELBOW-FLUE, UPFLOW	
271	0171M00002	MOTOR-ID, BLOWER	
281	0161F00037	COUPLING	
291	0130F00481	PRESSURE SWITCH (-.1 (COL BOX))	
301	0130F00472	PRESSURE SWITCH (-.67 / -1.15) (M5)	
301	0130F00471	PRESSURE SWITCH (-.72 / -.97) (M1)	
301	0130F00474	PRESSURE SWITCH (-.72 / -1.47) (M3, M4)	
301	0130F00444	PRESSURE SWITCH (-.76 / -1.25) (M6)	
301	0130F00473	PRESSURE SWITCH (-.92 / -1.47) (M2)	
311	0161F00042	JUNCTION BOX	
331	0161F00043	JUNCTION BOX LID	
701	M0326804	TUBE PLUG	
791	0154F00015	GASKET (QTY 2)	
811	0154F00014	GASKET (M1, M2, M3)	
811	0154F00016	GASKET (M4, M5)	
811	20194607	GASKET (M6)	
991	0121F00389	BRACKET, DOOR SWITCH	

Expanded Model Nomenclature

M1 - GMVC960403BNAA
M2 - GMVC960603BNAA
M3 - GMVC960803BNAA
M4 - GMVC960804CNAA
M5 - GMVC961005CNAA
M6 - GMVC961205DNAA

Heat Exchanger / Manifold / Gas Valve



Heat Exchanger / Manifold / Gas Valve

**Ref. Part
No: No:**

Description:

**Ref. Part
No: No:**

Description:

Image 1:

11	0130F00008S	SINI IGNITOR
21	0151M00027S	GAS VALVE
31	0163F00004	ORIFICE (QTY 2)
41	0130F00010	FLAME SENSOR
51	0130F00123	MANUAL RESET LIMIT - ROS (M3, M4)
51	10123527	MANUAL RESET LIMIT - ROS (M6)
51	10123534	MANUAL RESET LIMIT - ROS (M5)
51	10123539	MANUAL RESET LIMIT - ROS (M1, M2)
61	0163F00007	MANIFOLD (M1)
61	0163F00008	MANIFOLD (M2)
61	0163F00009	MANIFOLD (M4)
61	0163F00010	MANIFOLD (M5)
61	0163F00011	MANIFOLD (M6)
61	0163F00014	MANIFOLD (M3)
71	0163F00017	BECKETT BURNER (QTY A/R)
81	0121F00456	BRACKET-BURNER 2 (M1)
81	0121F00455	BRACKET-BURNER 3 (M2)
81	0121F00454	BRACKET-BURNER 4 (M3, M4)
81	0121F00453	BRACKET-BURNER 5 (M5)
81	0121F00451	BRACKET-BURNER 6 (M6)
111	0121F00469	ORIFICE BRACKET-BURNER 2 (M1)
111	0121F00468	ORIFICE BRACKET-BURNER 3 (M2)
111	0121F00467	ORIFICE BRACKET-BURNER 4 (M3, M4)
111	0121F00466	ORIFICE BRACKET-BURNER 5 (M5)
111	0121F00465	ORIFICE BRACKET-BURNER 6 (M6)
131	0161F00022	FRONT COVER (M3)
131	0161F00026	FRONT COVER (M5)
131	0161F00030	FRONT COVER (M4)
131	0161F00053	FRONT COVER (M1)
131	0161F00055	FRONT COVER (M2)
131	0161F00063	FRONT COVER (M6)
141	0154F00011	FRONT GASKET (M1, M2, M3)
141	0154F00012	FRONT GASKET (M4, M5)
141	0154F00013	FRONT GASKET (M6)
151	0257F00231	HEAT EXCHANGER ASSY (M2)
151	0257F00236	HEAT EXCHANGER ASSY (M1)
151	0257F00239	HEAT EXCHANGER ASSY (M3)
151	0257F00240	HEAT EXCHANGER ASSY (M4)
151	0257F00280	HEAT EXCHANGER ASSY (M5)
151	0257F00333	HEAT EXCHANGER ASSY (M6)
161	M0326804	TUBE PLUG
231	A1781105	CAP-VINYL .500
261	0121F00317	REAR COVER (M1, M2, M3)
261	0121F00318	REAR COVER (M4, M5)
261	0121F00319	REAR COVER (M6)
271	0154F00008	REAR COVER GASKET (M1, M2, M3)
271	0154F00009	REAR COVER GASKET (M4, M5)
271	0154F00010	REAR COVER GASKET (M6)
371	0130F00036	PRIMARY LIMIT - PINK (M6)
371	20162906	PRIMARY LIMIT - WHITE (M5)
371	0130F00105	PRIMARY LIMIT SWITCH (M2, M3)
371	20162904	PRIMARY LIMIT-TEMPERATURE CONTROL (M1, M4)

Expanded Model Nomenclature

M1 - GMVC960403BNAA
M2 - GMVC960603BNAA
M3 - GMVC960803BNAA
M4 - GMVC960804CNAA
M5 - GMVC961005CNAA
M6 - GMVC961205DNAA