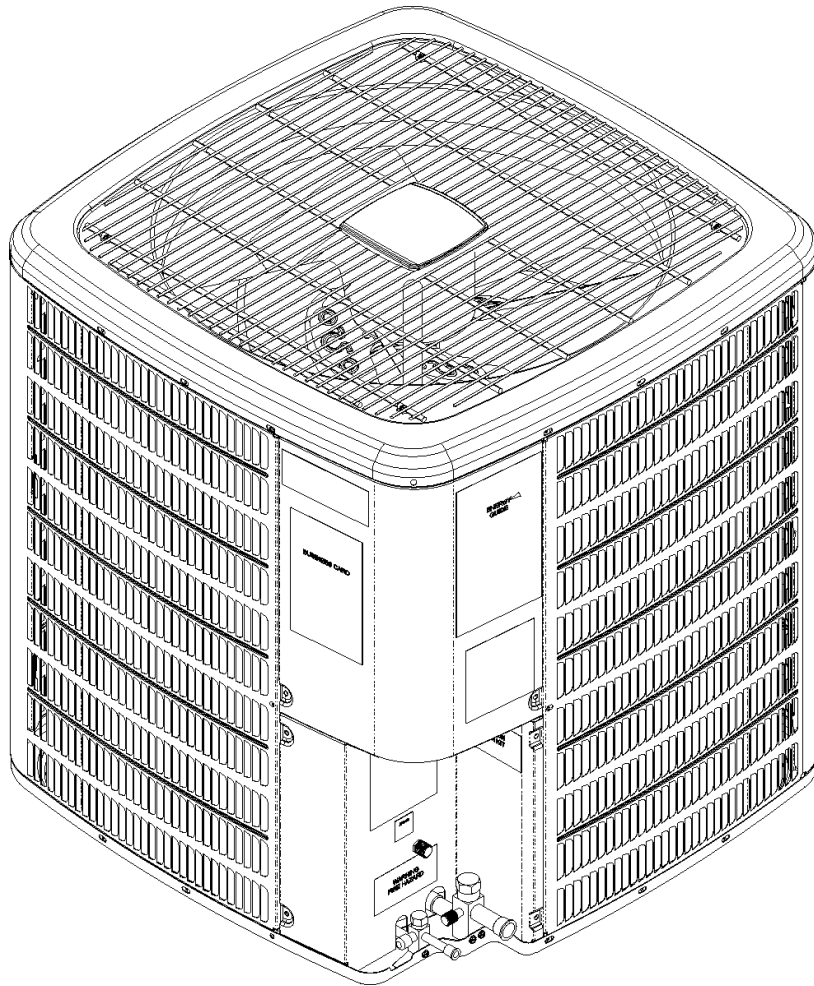


DSX16 and DSX18 Remote Condensing Units

DSX160241AA
DSX160361AA
DSX160481AA
DSX160601AA
DSX180361AA
DSX180481AA
DSX180601AA



This manual is to be used by qualified technicians only.

This manual replaces RP-572.

© 2009 Goodman Manufacturing Company, L.P. ♦ 5151 San Felipe, Suite 500 ♦ Houston, TX 77056

Important Information

Index

Functional Parts List	3
Illustration and Parts	4 - 9

Views shown are for parts illustrations only, not servicing procedures.

This system uses R410A refrigerant. If sealed system work is required, use approved equipment and follow service procedures. Refer to Service Manual or Installation Instructions for service procedures.

Rev. A: Added DSX18 models.

Text Codes:

AR - As Required

NA - Not Available

NS - Not Shown

00000000 - See Note

QTY - Quantity Example (QTY 3) (If Quantity not shown, Quantity = 1)

M - Model Example (M1) (If M Code not shown, then part is used on all Models)

Expanded Model Nomenclature:

Example M1 - Model#1 M2 - Model#2 M3 - Model#3

Goodman Manufacturing Company, L.P. is not responsible for personal injury or property damage resulting from improper service. Review all service information before beginning repairs.

Warranty service must be performed by an authorized technician, using authorized factory parts. If service is required after the warranty expires, Goodman Manufacturing Company, L.P. also recommends contacting an authorized technician and using authorized factory parts.

Goodman Manufacturing Company, L.P. reserves the right to discontinue, or change at any time, specifications or designs without notice or without incurring obligations.

For assistance within the U.S.A. contact:
Consumer Affairs Department
Goodman Manufacturing Company, L.P.
7401 Security Way
Houston, Texas 77040
877-254-4729-Telephone
713-863-2382-Facsimile

For assistance outside the U.S.A. contact:
International Division
Goodman Manufacturing Company, L.P.
7401 Security Way
Houston, Texas 77040
713-861-2500-Telephone
713-863-2382-Facsimile

Functional Parts

Part

No: Description:

CAP050350440RSS	CAPACITOR 5/35/440V [CONTROL BOX] (M1)
CAP050400370RSS	CAPACITOR 5/40/370V [CONTROL BOX] (M2, M5)
CAP050450370RSS	CAPACITOR 5/45/370V [CONTROL BOX] (M3, M6)
CAP050800440RTS	CAPACITOR 5/80/440V (M4, M7)
543003302S	COMFORT ALERT MODULE
ZPS20K4EPFV930	COMPRESSOR 20000, 208/230/60/1/2STG (M1)
ZPS30K4EPFV930	COMPRESSOR 30000, 208/230/60/1/2STG (M2, M5)
ZPS40K4EPFV930	COMPRESSOR 40000, 208/230/60/1/2STG (M3, M6)
ZPS51K4EPFV930	COMPRESSOR 52000, 208/230/60/1/2STG (M4, M7)
0131M00039S	COND MOTOR 1/12 HP, 2 SP, 8 PL (M1)
0131M00038S	COND MOTOR 1/6 HP, 2 SP, 8 PL (M2, M3, M4)
0131M00086S	COND MOTOR-ECM (M5, M6, M7)
CONT2P025024VS	CONTACTOR 25 AMP, 2P, 24V (M1)
CONT2P030024VS	CONTACTOR 30 AMP, 2P, 24V (M2, M3, M5, M6)
CONT2P040024VS	CONTACTOR 40 AMP, 2P, 24V (M4, M7)
20322603	CUT-OUT SWITCH, HIGH PRESSURE
0130R00000S	CUT-OUT SWITCH, LOW PRESSURE
10135604	RELAY (M1, M2, M3, M4)

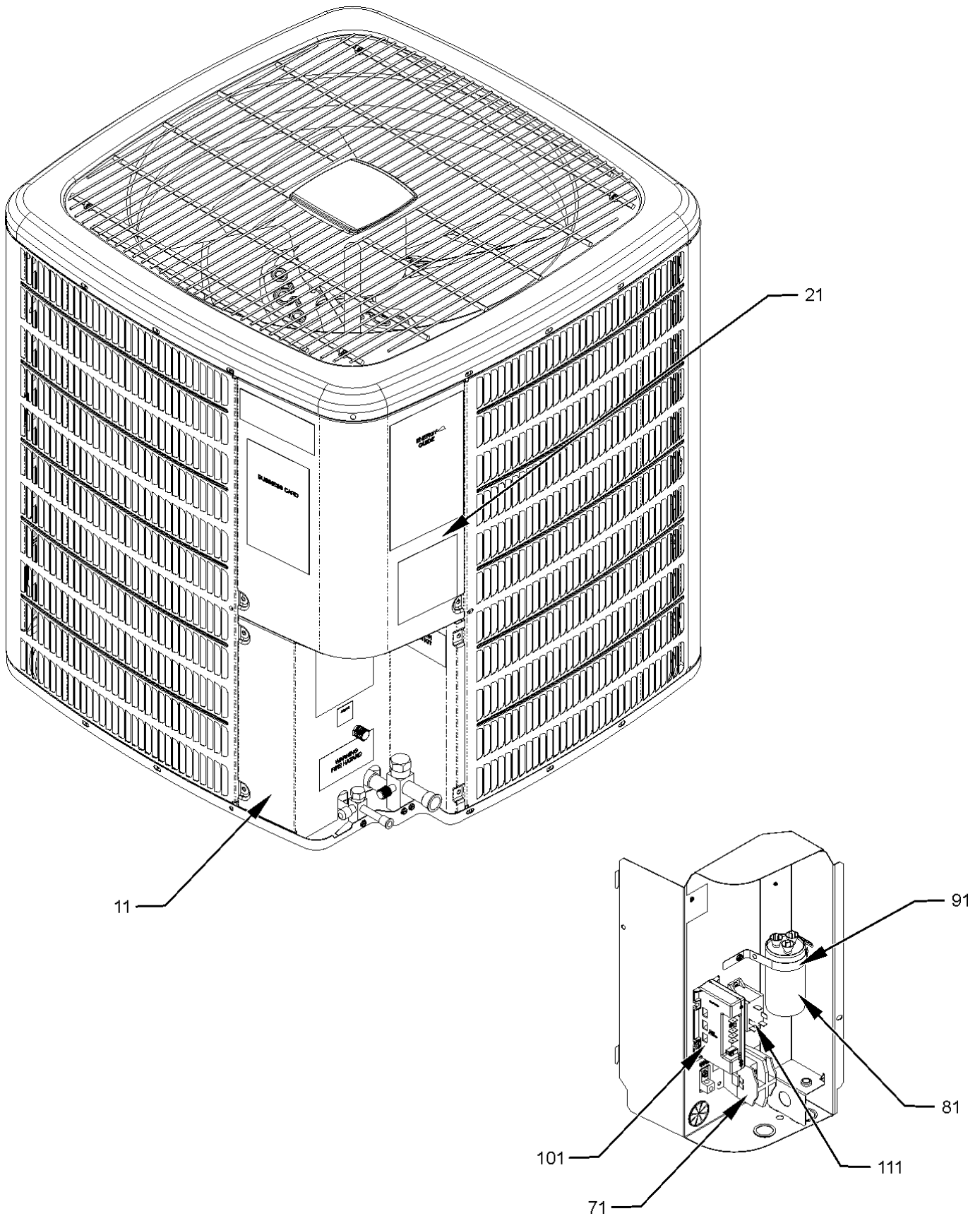
SPECIAL PARTS

IO-258F	INSTALLATION INSTRUCTIONS
0161R00009P	NAMEPLATE
RP-572A	REPAIR PARTS MANUAL

Expanded Model Nomenclature

M1 - DSX160241AA
M2 - DSX160361AA
M3 - DSX160481AA
M4 - DSX160601AA
M5 - DSX180361AA
M6 - DSX180481AA
M7 - DSX180601AA

Control Cover / Control Box



Control Cover / Control Box

Ref. Part No:	No:	Description:	Ref. Part No:	No:	Description:
---------------	-----	--------------	---------------	-----	--------------

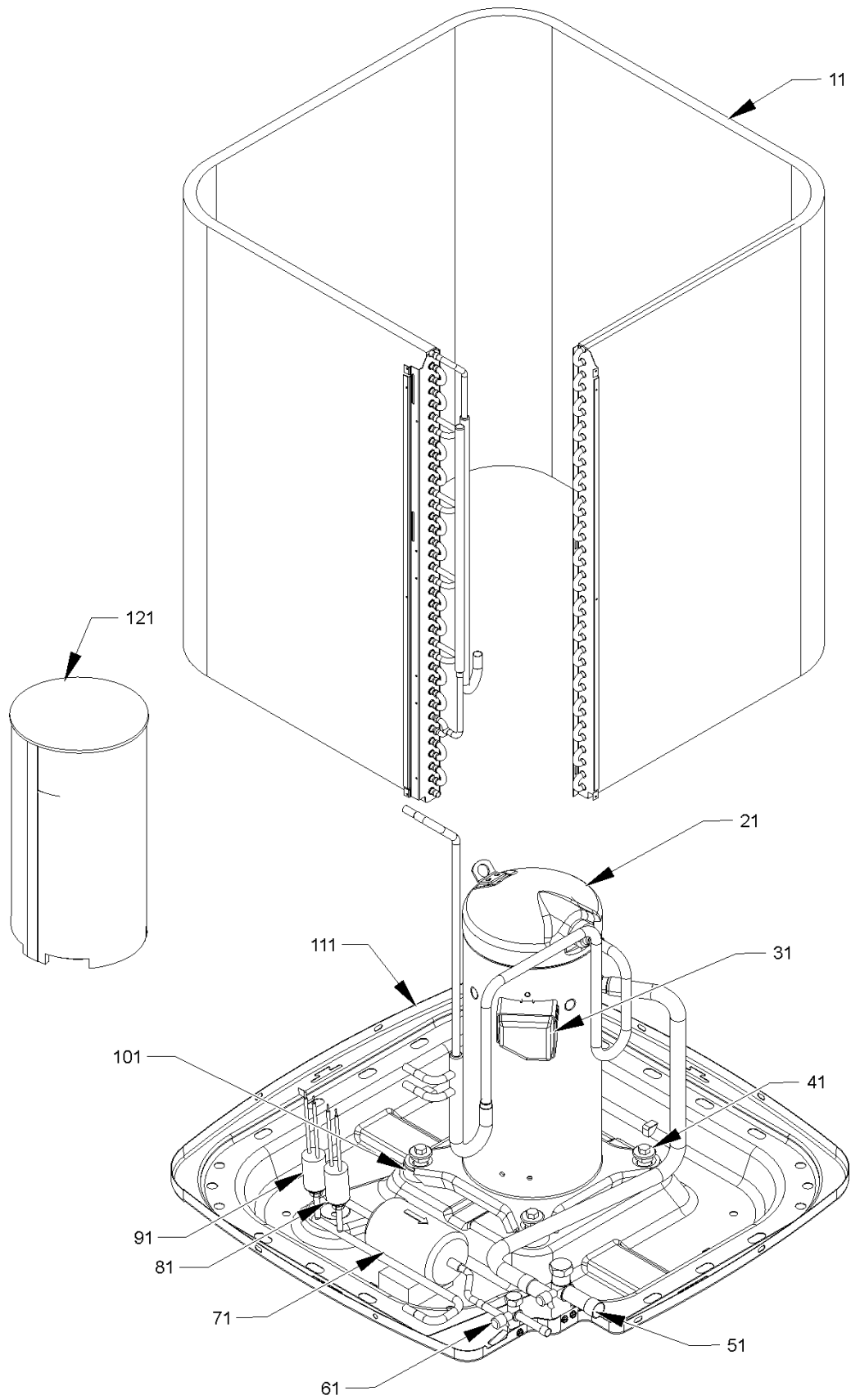
Image 1:

11	4400201PDG	LOWER ACCESS PANEL (M1)
11	4400209PDG	LOWER ACCESS PANEL (M2, M3, M4, M5, M6, M7)
21	0121R00053PDG	CONTROL COVER (M1)
21	0121R00054PDG	CONTROL COVER (M2, M3, M4, M5, M6, M7)
71	CONT2P025024VS	CONTACTOR 25 AMP, 2P, 24V (M1)
71	CONT2P030024VS	CONTACTOR 30 AMP, 2P, 24V (M2, M3, M5, M6)
71	CONT2P040024VS	CONTACTOR 40 AMP, 2P, 24V (M4, M7)
81	CAP050350440RSS	CAPACITOR 5/35/440V [CONTROL BOX] (M1)
81	CAP050400370RSS	CAPACITOR 5/40/370V [CONTROL BOX] (M2, M5)
81	CAP050450370RSS	CAPACITOR 5/45/370V [CONTROL BOX] (M3, M6)
81	CAP050800440RTS	CAPACITOR 5/80/440V (M4, M7)
91	4400065	CAPACITOR STRAP
101	543003302S	COMFORT ALERT MODULE
111	10135604	RELAY (M1, M2, M3, M4)

Expanded Model Nomenclature

M1 - DSX160241AA
M2 - DSX160361AA
M3 - DSX160481AA
M4 - DSX160601AA
M5 - DSX180361AA
M6 - DSX180481AA
M7 - DSX180601AA

Compressor / Tubing Assembly



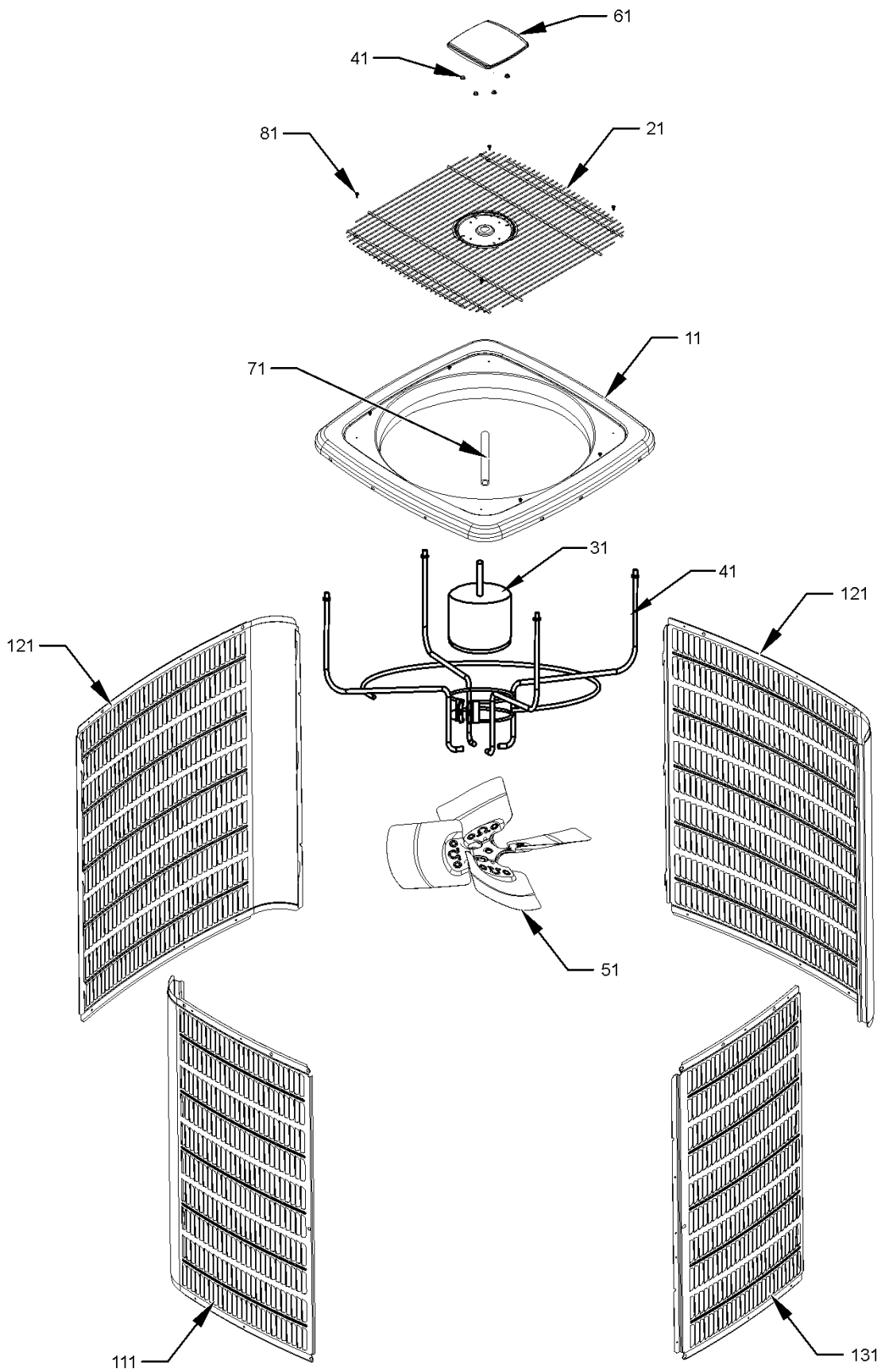
Compressor / Tubing Assembly

Ref. Part No:	No:	Description:	Ref. Part No:	No:	Description:
<i>Image 1:</i>					
11	0201R00137S	TUBING ASSY, COND COIL (M6, M7)			
11	1362105	TUBING ASSY, COND COIL (M2)			
11	1362110	TUBING ASSY, COND COIL (M3, M4, M5)			
11	1362112	TUBING ASSY, COND COIL (M1)			
21	ZPS20K4EPFV930	COMPRESSOR 20000, 208/230/60/1/2STG (M1)			
21	ZPS30K4EPFV930	COMPRESSOR 30000, 208/230/60/1/2STG (M2, M5)			
21	ZPS40K4EPFV930	COMPRESSOR 40000, 208/230/60/1/2STG (M3, M6)			
21	ZPS51K4EPFV930	COMPRESSOR 52000, 208/230/60/1/2STG (M4, M7)			
31	0130M00005P	WIRE HARNESS, COMPRESSOR SOLENOID			
41	M0221641	TF SHOULDER SCREW (QTY 4)			
51	0151R00002P	3/4" SERVICE VALVE OPEN LEFT (M1, M2)			
51	0151R00003P	7/8" SERVICE VALVE OPEN LEFT (M3, M4, M5, M6, M7)			
61	B12825171	3/8" SERVICE VALVE			
71	B5134711	FILTER DRIER			
81	20322603	CUT-OUT SWITCH, HIGH PRESSURE			
91	0130R00000S	CUT-OUT SWITCH, LOW PRESSURE			
101	0164M00018	COMPRESSOR GROMMET (M5, M6, M7)			
101	B1339533	COMPRESSOR GROMMET (M1, M2, M3, M4)			
111	0121R00005PDG	BASE PAN 26" (M1)			
111	0121R00006PDG	BASE PAN 29" (M2)			
111	0121R00007PDG	BASE PAN 35" (M3, M4, M5, M6, M7)			
NS	B1225022S	SOLENOID COIL			

Expanded Model Nomenclature

M1 - DSX160241AA
M2 - DSX160361AA
M3 - DSX160481AA
M4 - DSX160601AA
M5 - DSX180361AA
M6 - DSX180481AA
M7 - DSX180601AA

Cabinet Top / Side Panels



Cabinet Top / Side Panels

Ref. Part No: No:	Description:	Ref. Part No: No:	Description:
-------------------	--------------	-------------------	--------------

Image 1:

11	0121R00009PDG	VENTURI TOP PANEL 26" (M1)
11	0121R00011PDG	VENTURI TOP PANEL 29" (M2)
11	0121R00013PDG	VENTURI TOP PANEL 35" (M3, M4, M5, M6, M7)
21	0152R00000P	WIRE GRILL 26" (M1)
21	0152R00008	WIRE GRILL 29" (M2)
21	0152R00009	WIRE GRILL 35" (M3, M4, M5, M6, M7)
31	0131M00039S	COND MOTOR 1/12 HP, 2 SP, 8 PL (M1)
31	0131M00038S	COND MOTOR 1/6 HP, 2 SP, 8 PL (M2, M3, M4)
31	0131M00086S	COND MOTOR-ECM (M5, M6, M7)
41	M0280801	HEX NUT (M1, M2, M3, M4)
51	0150M00018S	FAN BLADE 20" (M1)
51	0150M00008S	FAN BLADE 22" TNT2203-25 (M2)
51	0150M00010	FAN BLADE 26" ALUM CCW (M5, M6, M7)
51	10625738S	FAN BLADE 26" ALUM CCW (M3, M4)
61	0161R00024	GRILL CAP
71	0161R00000P	CONDUIT (M1)
71	0161R00002P	CONDUIT (M2)
71	0161R00004P	CONDUIT (M3, M4)
101	0121R00003	MOTOR MOUNT BRACKET (M5, M6, M7)
111	0121R00015PDGB	LOUVERED SIDE PANEL-VERTICAL (M1)
111	0121R00027PDGB	LOUVERED SIDE PANEL-VERTICAL (M2)
111	0121R00043PDGB	LOUVERED SIDE PANEL-VERTICAL (M3, M4)
111	0270R00484DGBS	LOUVERED SIDE PANEL-VERTICAL (M5, M6, M7)
121	0121R00018PDGB	LOUVERED SIDE PANEL-VERTICAL (M1)
121	0121R00033PDGB	LOUVERED SIDE PANEL-VERTICAL (M2)
121	0121R00047PDGB	LOUVERED SIDE PANEL-VERTICAL (M3, M4)
121	0270R00485DGBS	LOUVERED SIDE PANEL-VERTICAL (M5, M6, M7)
131	0121R00021PDG	LOUVERED SIDE PANEL-VERTICAL (M1)
131	0121R00039PDG	LOUVERED SIDE PANEL-VERTICAL (M2)
131	0121R00051PDG	LOUVERED SIDE PANEL-VERTICAL (M3, M4)
131	0270R00486DGS	LOUVERED SIDE PANEL-VERTICAL (M5, M6, M7)
141	B1393804	NYLON LOCKNUT, .31 - 18 (M5, M6, M7)

Expanded Model Nomenclature

M1 - DSX160241AA
M2 - DSX160361AA
M3 - DSX160481AA
M4 - DSX160601AA
M5 - DSX180361AA
M6 - DSX180481AA
M7 - DSX180601AA

