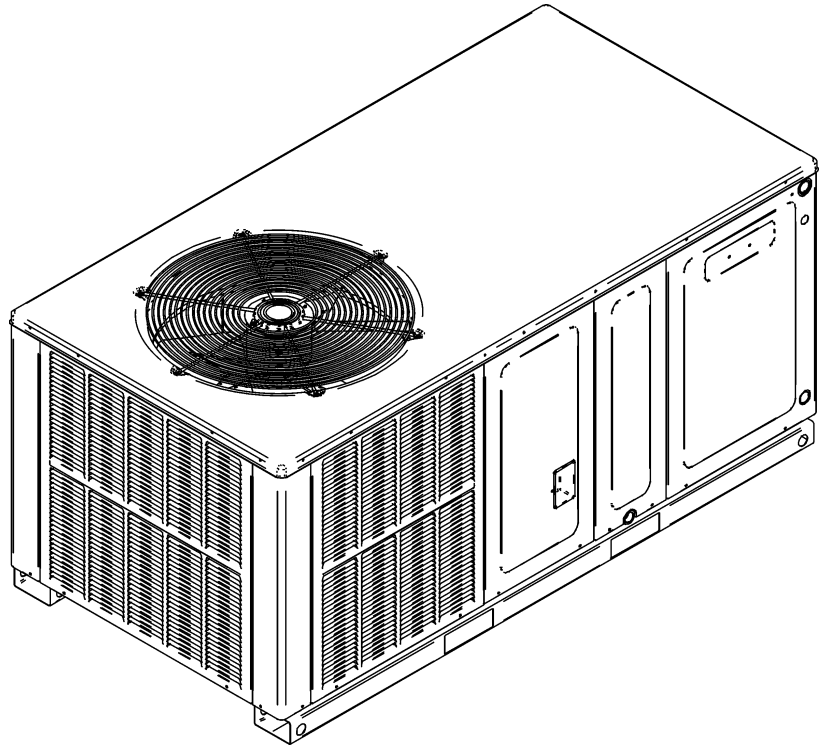


DP13CH Residential Package Heat Pump

DP13CH2441AA
DP13CH2441AB
DP13CH3041AA
DP13CH3041AB
DP13CH3641AA
DP13CH3641AB
DP13CH4241AA
DP13CH4241AB
DP13CH4841AA
DP13CH4841AB
DP13CH6041AA
DP13CH6041AB



This manual is to be used by qualified technicians only.

This manual replaces RP-D3009D.

© 2013-2016 **DAIKIN COMPANY, L.P.** ♦ 5151 San Felipe St., Suite 500 ♦ Houston, TX 77056

Important Information

Index

Functional Parts List	3
Illustration and Parts	4 - 13

Views shown are for parts illustrations only, not servicing procedures

Text Codes:

AR - As Required

NA - Not Available

NS - Not Shown

00000000 - See Note

QTY - Quantity Example (QTY 3) (If Quantity not shown, Quantity = 1)

M - Model Example (M1) (If M Code not shown, then part is used on all Models)

Expanded Model Nomenclature:

Example M1 - Model#1 M2 - Model#2 M3 - Model#3

Daikin Company, L.P. is not responsible for personal injury or property damage resulting from improper service. Review all service information before beginning repairs.

Warranty service must be performed by an authorized technician, using authorized factory parts. If service is required after the warranty expires, Daikin Company, L.P. also recommends contacting an authorized technician and using authorized factory parts.

Daikin Company, L.P. reserves the right to discontinue, or change at any time, specifications or designs without notice or without incurring obligations.

For assistance within the U.S.A. contact:

Consumer Affairs Department

Daikin North America, LLC

7401 Security Way

Houston, Texas 77040

855-770-5678-Telephone

713-863-2382-Facsimile

For assistance outside the U.S.A. contact:

International Division

Daikin North America, LLC

7401 Security Way

Houston, Texas 77040

713-861-2500-Telephone

713-863-2382-Facsimile

Functional Parts

Part

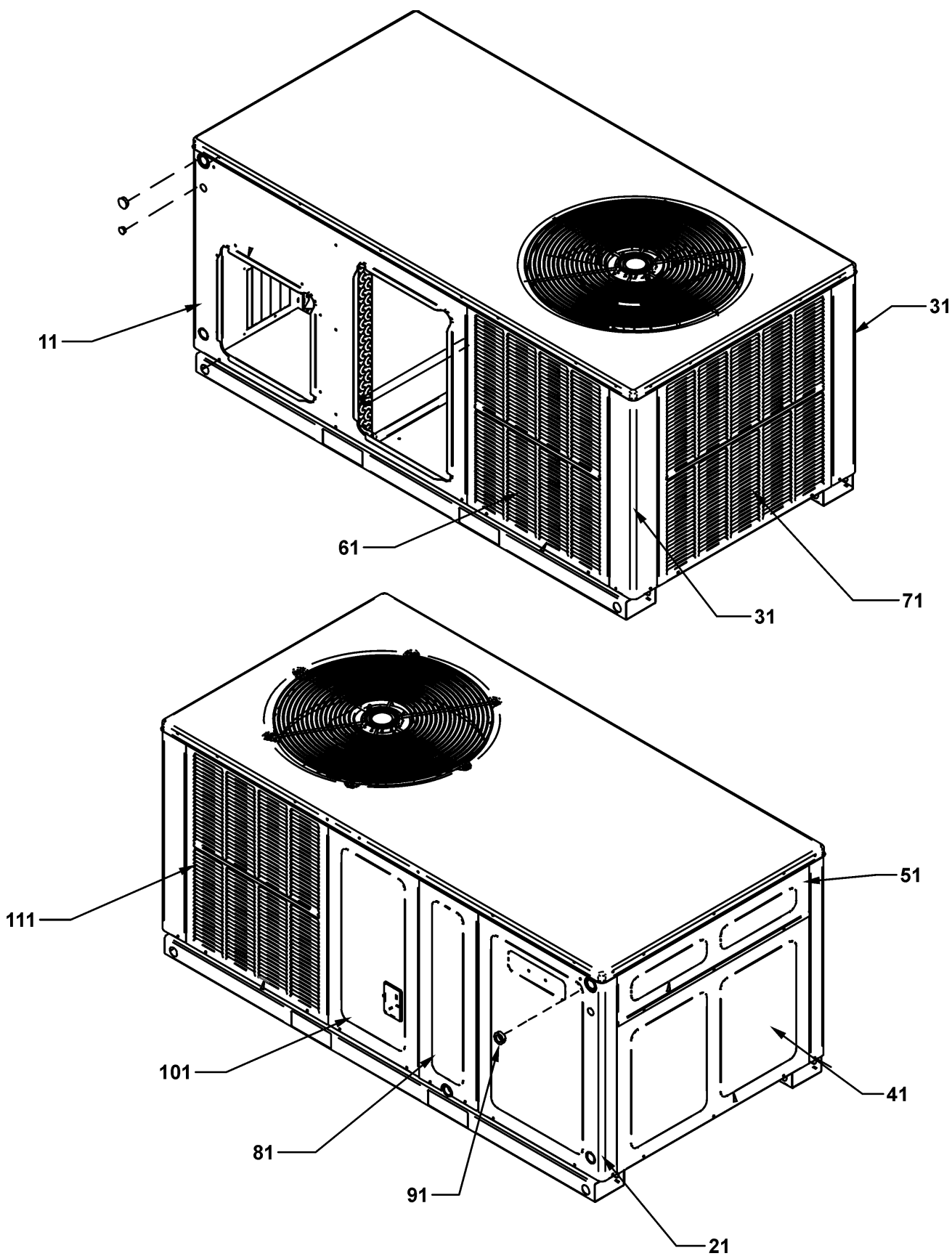
No: Description:

0130M00014	240 VOLT RELAY (M1, M2, M3, M4, M5, M6, M7, M8, M9, M10)
0131M00425	BLOWER MOTOR (M11, M12)
0131M00010P	BLOWER MOTOR 1/2 HP, 3 SP, 8 PL (M7, M8, M9, M10)
11091202	BLOWER MOTOR 1/3 HP, 3 SP, 6 PL (M3, M4, M5, M6)
11091207	BLOWER MOTOR 1/4 HP, 3 SP, 8 PL (M1, M2)
B1368016	BLOWER WHEEL 10 X 8 (M7, M8, M9, M10)
B1368054	BLOWER WHEEL 11 X 8 (M11, M12)
B1368042	BLOWER WHEEL 9 X 6 (M1, M2)
0150M00000P	BLOWER WHEEL 9 X 6 (M3, M4)
B1368036	BLOWER WHEEL 9 X 8 (M5, M6)
CAP100000370LA	CAPACITOR 10/370V (M1, M2, M3, M4, M5, M6)
CAP150000370LA	CAPACITOR 15/370V (M7, M8, M9, M10)
CAP050350440CS	CAPACITOR 5/35/440V (M1, M2)
CAP050400440CT	CAPACITOR 5/40/440V/DUAL RD (M3, M4)
CAP050450440CT	CAPACITOR 5/45/440V/DUAL RD (M5, M6, M7, M8, M9, M10)
CAP050700440CT	CAPACITOR 5/70/440V/DUAL RD (M11, M12)
ZP20K5EPFV130	COMPRESSOR 20000, 208/230/60/1 (M1, M2)
ZP24K5EPFV130	COMPRESSOR 24000, 208/230/60/1 (M3, M4)
ZP31K5EPFV130	COMPRESSOR 31100, 208/230/60/1 (M5, M6)
ZP34K5EPFV130	COMPRESSOR 34500, 208/230/60/1 (M7, M8)
ZP39K5EPFV130	COMPRESSOR 39000, 208/230/60/1 (M9, M10)
ZP51K5EPFV130	COMPRESSOR 51000, 208/230/60/1 (M11, M12)
0131M00061	COND MOTOR 1/4 HP, 1 SP, 8 PL (M5, M6)
0131M00429	COND MOTOR 1/4 HP, 1 SP, 6 PL (M7, M8, M9, M10, M11, M12)
0131M00009P	COND MOTOR 1/6 HP, 1 SP, 8 PL (M1, M2, M3, M4)
CONT1P025024V	CONTACTOR 25 AMP, 1P, 24V (M1, M2, M3, M4, M5, M6)
CONT1P030024V	CONTACTOR 30 AMP, 1P, 24V (M7, M8, M9, M10)
CONT2P040024V	CONTACTOR 40 AMP, 2P, 24V (M11, M12)
PCBFM103	ELECTRONIC BLOWER TIME DELAY (M1, M2, M3, M4, M5, M6, M7, M8, M9, M10)
0150G00004	FAN BLADE (M7, M8, M9, M10, M11, M12)
0150G00005	FAN BLADE (M1, M2, M3, M4)
B1086765	FAN BLADE TYPE 3 (M5, M6)
B1225022	SOLENOID COIL
0130M00138	TRANSFORMER 208/230, 24V

Expanded Model Nomenclature

M1 - DP13CH2441AA
M2 - DP13CH2441AB
M3 - DP13CH3041AA
M4 - DP13CH3041AB
M5 - DP13CH3641AA
M6 - DP13CH3641AB
M7 - DP13CH4241AA
M8 - DP13CH4241AB
M9 - DP13CH4841AA
M10 - DP13CH4841AB
M11 - DP13CH6041AA
M12 - DP13CH6041AB

Cabinet Assembly



Cabinet Assembly

Ref. Part No:	Description:	Ref. Part No:	Description:
Image 1:		Expanded Model Nomenclature	
11	0121G00667NG DUCT PANEL 27.5" (M2, M4, M6)	M1	DP13CH2441AA
11	0121G00051NG DUCT PANEL 32.5" (M7, M9)	M2	DP13CH2441AB
11	0121G00668NG DUCT PANEL 32.5" (M8, M10)	M3	DP13CH3041AA
11	0121G00084NG DUCT PANEL 36" (M11)	M4	DP13CH3041AB
11	0121G00669NG DUCT PANEL 36" (M12)	M5	DP13CH3641AA
11	0121G00050NG DUCT PANEL 27.5" (M1, M3, M5)	M6	DP13CH3641AB
21	0121G00521NG CORNER PANEL 27.5" (M1, M3, M5)	M7	DP13CH4241AA
21	0121G00664NG CORNER PANEL 27.5" (M2, M4, M6)	M8	DP13CH4241AB
21	0121G00522NG CORNER PANEL 32.5" (M7, M9)	M9	DP13CH4841AA
21	0121G00665NG CORNER PANEL 32.5" (M8, M10)	M10	DP13CH4841AB
21	0121G00523NG CORNER PANEL 36" (M11)	M11	DP13CH6041AA
21	0121G00666NG CORNER PANEL 36" (M12)	M12	DP13CH6041AB
31	0121G00047NG CORNER POST 27.5" (M1, M2, M3, M4, M5, M6)		
31	0121G00048NG CORNER POST 32.5" (M7, M8, M9, M10)		
31	0121G00082NG CORNER POST 36" (M11, M12)		
41	0121G00271NG EXTERNAL BLOWER PANEL 27.5" (M1, M2, M3, M4, M5, M6)		
41	0121G00272NG EXTERNAL BLOWER PANEL 32.5" (M7, M8, M9, M10)		
41	0121G00273NG EXTERNAL BLOWER PANEL 36" (M11, M12)		
51	0121G00276NG EXTERNAL CONTROL BOX PANEL		
61	0121G00069NG LOUVERED PANEL 4 BANK 27.5" (M1, M2, M3, M4, M5, M6)		
61	0121G00070NG LOUVERED PANEL 4 BANK 32.5" (M7, M8, M9, M10)		
61	0121G00090NG LOUVERED PANEL 4 BANK 36" (M11, M12)		
71	0121G00072NG LOUVERED PANEL 5 BANK 27.5" (M1, M2, M3, M4, M5, M6)		
71	0121G00073NG LOUVERED PANEL 5 BANK 32.5" (M7, M8, M9, M10)		
71	0121G00091NG LOUVERED PANEL 5 BANK 36" (M11, M12)		
81	0121G00089NG PNL, 36" EXT EVAP RMV (M11, M12)		
81	0121G00065NG PNL, EVAP, 8.75"X27.5" (M1, M2, M3, M4, M5, M6)		
81	0121G00066NG PNL, EVAP, 8.75"X32.5" (M7, M8, M9, M10)		
91	B1392012 GROMMET / HS 1.0 - .79		
101	0121G00062NG COMPRESSOR PANEL 13.68" X 27.50" (M1, M2, M3, M4, M5, M6)		
101	0121G00060NG COMPRESSOR PANEL 8.75" X 32.50" (M7, M8, M9, M10)		
101	0121G00087NG COMPRESSOR PANEL 8.75" X 36" (M11, M12)		
111	0121G00069NG LOUVERED PANEL 4 BANK 27.5" (M1, M2, M3, M4, M5, M6)		
111	0121G00070NG LOUVERED PANEL 4 BANK 32.5" (M7, M8, M9, M10)		
111	0121G00090NG LOUVERED PANEL 4 BANK 36" (M11, M12)		

Chassis Assembly

Image 1

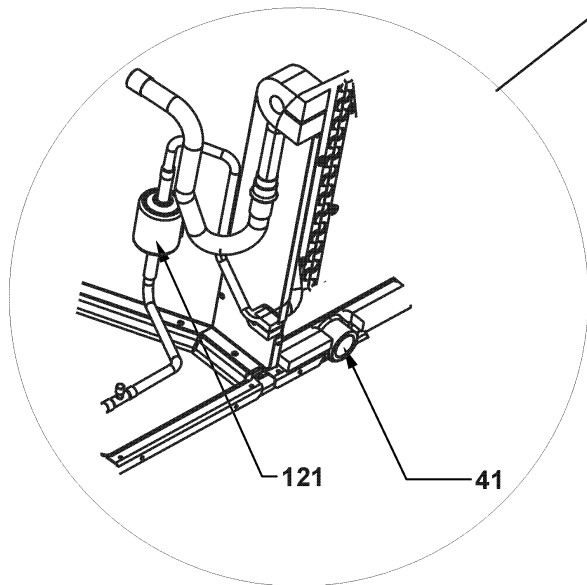
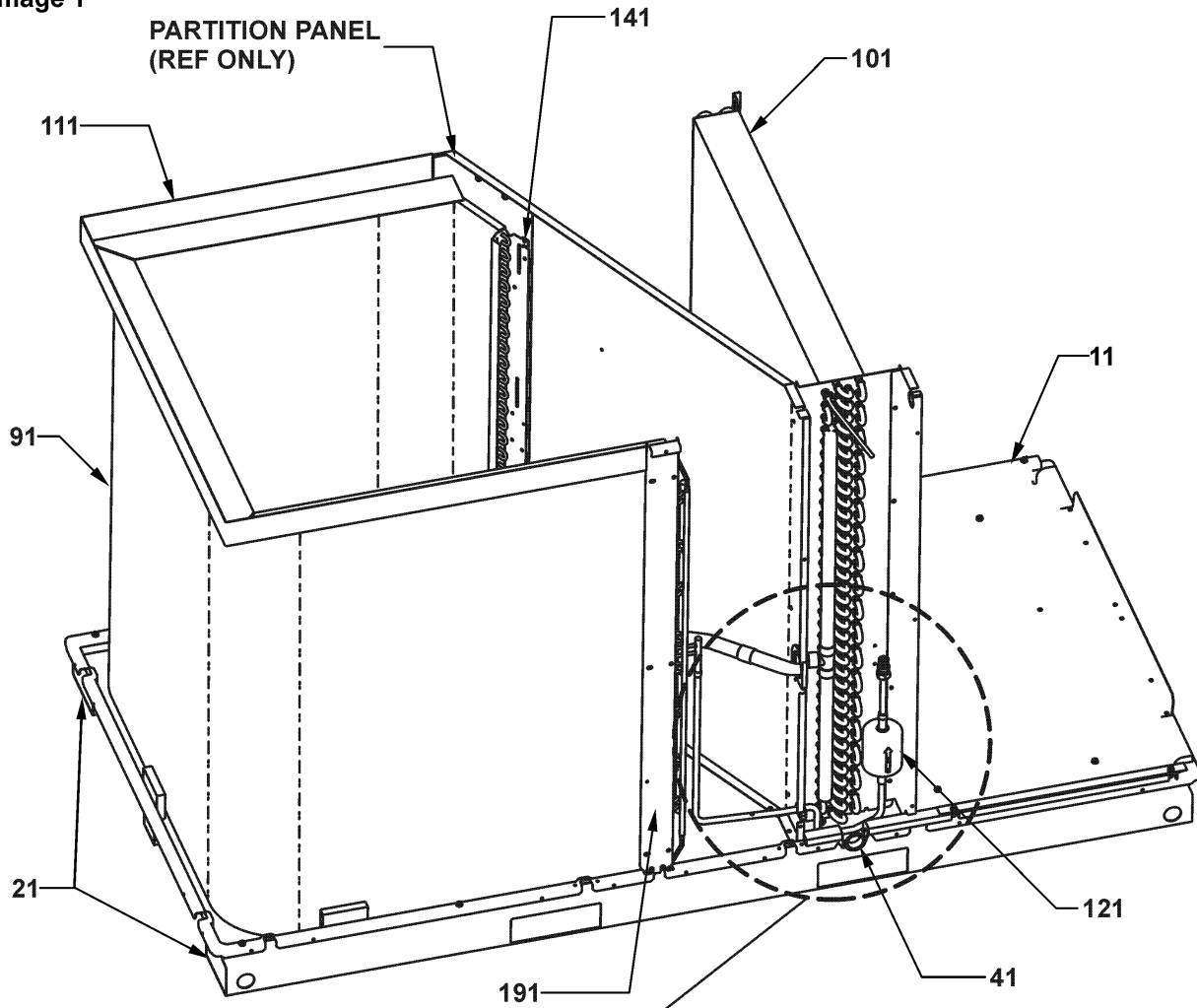
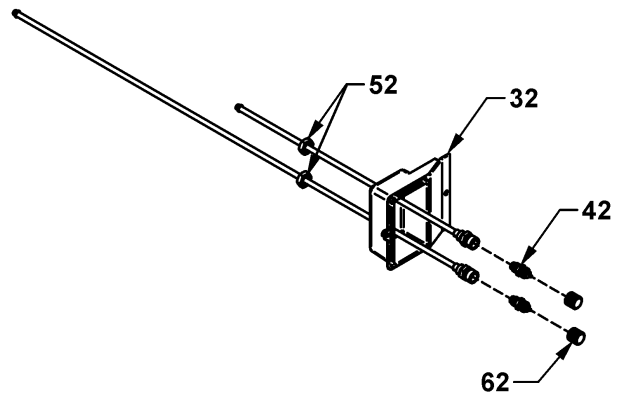


Image 2



Chassis Assembly

**Ref. Part
No: No:**

Description:

**Ref. Part
No: No:**

Description:

Image 1:

11	0121G00046P	INSULATED ASSY, BASEPAN
21	0121G00044PRF	BASEPAN RAIL (QTY 2)
41	0161G00000P	DRIP PAN
91	0201G00183	TUBING ASSY, COND COIL (M5, M6)
91	0201G00186	TUBING ASSY, COND COIL (M1, M2, M3, M4)
91	0201G00187	TUBING ASSY, COND COIL (M7, M8, M9, M10)
91	0201G00191	TUBING ASSY, COND COIL (M11, M12)
101	0202G00465	TUBING ASSY, EVAP COIL (M1)
101	0202G00467	TUBING ASSY, EVAP COIL (M3)
101	0202G00468	TUBING ASSY, EVAP COIL (M5)
101	0202G00470	TUBING ASSY, EVAP COIL (M7)
101	0202G00472	TUBING ASSY, EVAP COIL (M9)
101	0202G00473	TUBING ASSY, EVAP COIL (M11)
101	0202G00550	TUBING ASSY, EVAP COIL (M2)
101	0202G00551	TUBING ASSY, EVAP COIL (M4)
101	0202G00552	TUBING ASSY, EVAP COIL (M6)
101	0202G00553	TUBING ASSY, EVAP COIL (M8)
101	0202G00554	TUBING ASSY, EVAP COIL (M10)
101	0202G00555	TUBING ASSY, EVAP COIL (M12)
111	0121G00368	CONDENSER COIL BLOCKOFF (M1, M2, M3, M4, M5, M6)
111	0121G00372	CONDENSER COIL BLOCKOFF (M7, M8, M9, M10, M11, M12)
121	B1219212	SINGLE-FLOW FILTER DRIER, STEEL (M1, M2, M3, M4, M5, M6)
121	B1219225	SINGLE-FLOW FILTER DRIER, STEEL (M7, M8, M9, M10, M11, M12)
141	0121G00365	PARTITION EXTENSION PANEL (M11, M12)
191	0121G00045P	POST 27.5" (M1, M2, M3, M4, M5, M6)
191	0121G00079P	POST 32.5" (M7, M8, M9, M10)
191	0121G00083P	POST 36" (M11, M12)
NS	0128G00052	EVAP DRIP SHIELD
NS	0162M00162	FLOWRATOR EVAP (M1)
NS	0162M00164	FLOWRATOR EVAP (M5)
NS	0162M00165	FLOWRATOR EVAP (M7)
NS	0162M00166	FLOWRATOR EVAP (M9)
NS	0162M00168	FLOWRATOR EVAP (M11)
NS	0162M00192	FLOWRATOR EVAP (M3)
NS	0162M00295	FLOWRATOR EVAP (M2)
NS	0162M00296	FLOWRATOR EVAP (M6)
NS	0162M00297	FLOWRATOR EVAP (M8)
NS	0162M00298	FLOWRATOR EVAP (M10)
NS	0162M00299	FLOWRATOR EVAP (M12)
NS	0162M00306	FLOWRATOR EVAP (M4)
NS	B1225022	SOLENOID COIL

Expanded Model Nomenclature

M1 - DP13CH2441AA
M2 - DP13CH2441AB
M3 - DP13CH3041AA
M4 - DP13CH3041AB
M5 - DP13CH3641AA
M6 - DP13CH3641AB
M7 - DP13CH4241AA
M8 - DP13CH4241AB
M9 - DP13CH4841AA
M10 - DP13CH4841AB
M11 - DP13CH6041AA
M12 - DP13CH6041AB

Image 2:

32	0161G00008	ACCESS-FITTING BOX
42	B1373315	ACCESS FITTING (QTY 2)
52	0163G00000P	FASTEST FITTING NUT (QTY 2)
62	0163M00175	CAP WITH O-RING (QTY 2)

Compressor and Top Panel Assembly

Image 1

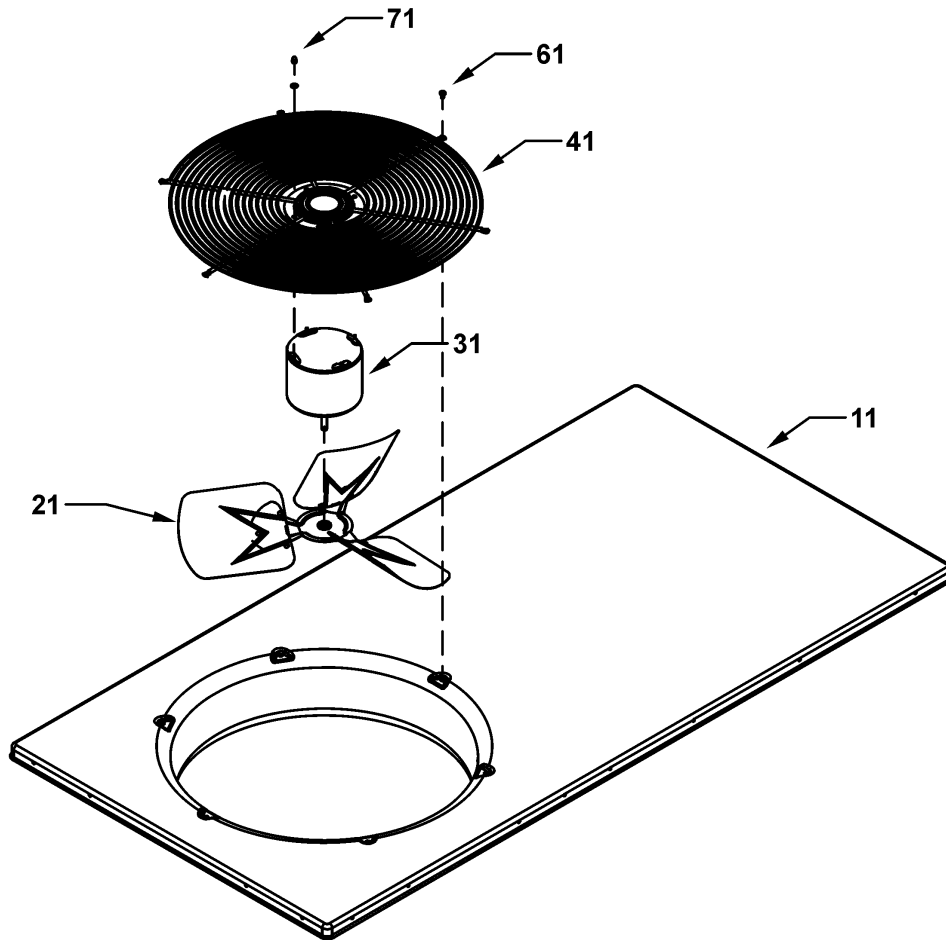
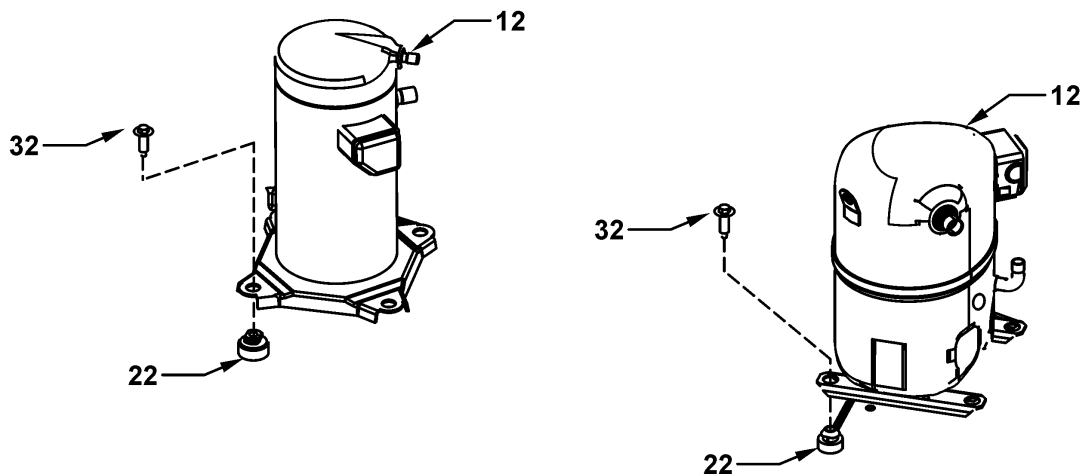


Image 2



Compressor and Top Panel Assembly

Ref. Part No: No:	Description:	Ref. Part No: No:	Description:
-------------------	--------------	-------------------	--------------

Image 1:

11	0121G00274NG	TOP PANEL
21	0150G00004	FAN BLADE (M7, M8, M9, M10, M11, M12)
21	0150G00005	FAN BLADE (M1, M2, M3, M4)
21	B1086765	FAN BLADE TYPE 3 (M5, M6)
31	0131M00061	COND MOTOR 1/4 HP, 1 SP, 8 PL (M5, M6)
31	0131M00429	COND MOTOR 1/4 HP, 1 SP, 6 PL (M7, M8, M9, M10, M11, M12)
31	0131M00009P	COND MOTOR 1/6 HP, 1 SP, 8 PL (M1, M2, M3,
41	0152G00003	FAN GRILLE
61	M0221817	SMALL SCREW (QTY 6)
71	0163M00006P	ACORN NUT 5/16 HEX BLACK (QTY 4)
NS	17788000083F	PVC CONDUIT 8.25"

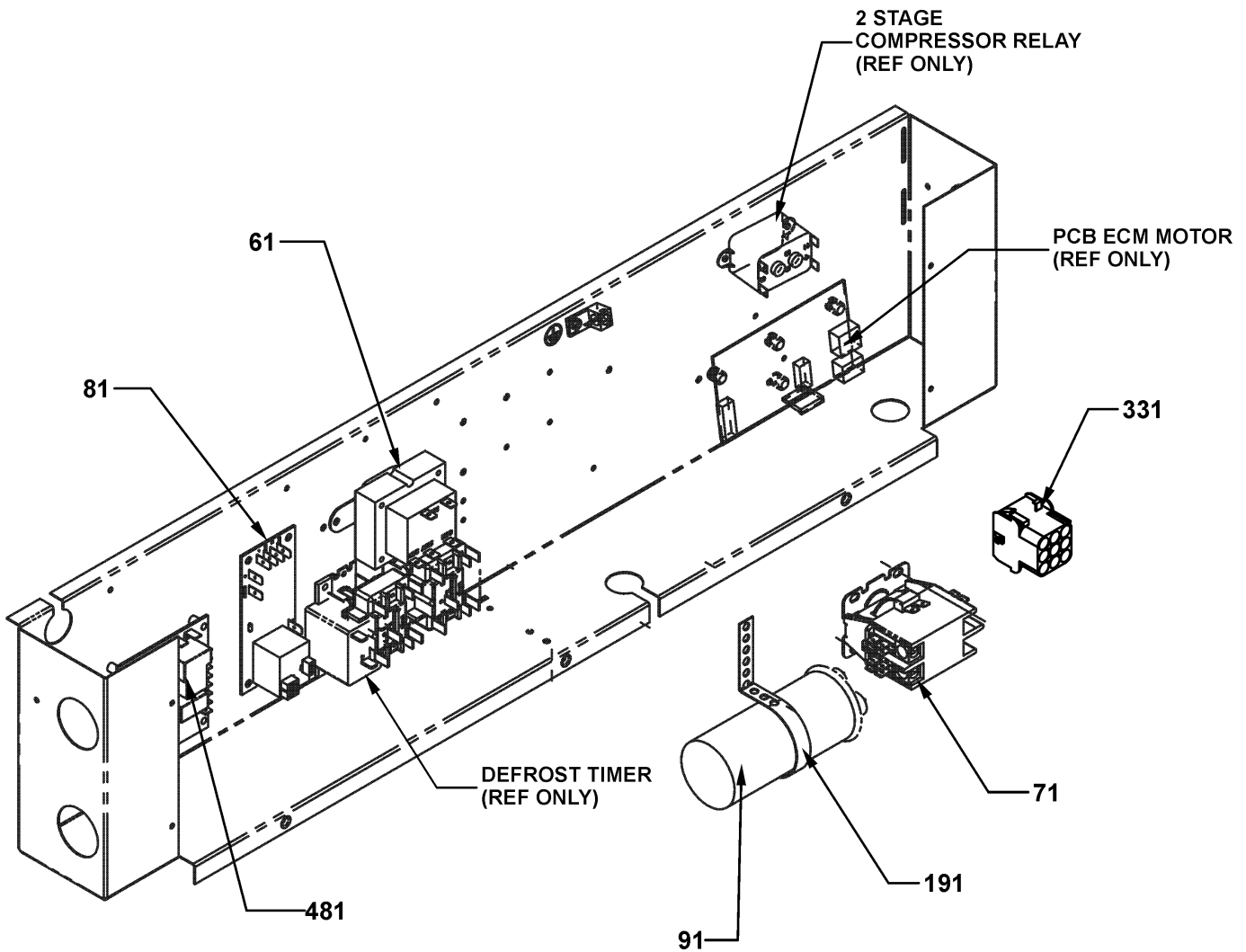
Image 2:

12	ZP20K5EPFV130	COMPRESSOR 20000, 208/230/60/1 (M1, M2)
12	ZP24K5EPFV130	COMPRESSOR 24000, 208/230/60/1 (M3, M4)
12	ZP31K5EPFV130	COMPRESSOR 31100, 208/230/60/1 (M5, M6)
12	ZP34K5EPFV130	COMPRESSOR 34500, 208/230/60/1 (M7, M8)
12	ZP39K5EPFV130	COMPRESSOR 39000, 208/230/60/1 (M9, M10)
12	ZP51K5EPFV130	COMPRESSOR 51000, 208/230/60/1 (M11, M12)
22	B1339530	COMPRESSOR GROMMET (M1, M2, M3, M4)
22	B1339533	COMPRESSOR GROMMET (M5, M6, M7, M8, M9, M10, M11, M12)
32	M0221641	TF SHOULDER SCREW (QTY 4)
NS	0159G00004	COMPRESSOR SCROLL HARNESS

Expanded Model Nomenclature

M1 - DP13CH2441AA
M2 - DP13CH2441AB
M3 - DP13CH3041AA
M4 - DP13CH3041AB
M5 - DP13CH3641AA
M6 - DP13CH3641AB
M7 - DP13CH4241AA
M8 - DP13CH4241AB
M9 - DP13CH4841AA
M10 - DP13CH4841AB
M11 - DP13CH6041AA
M12 - DP13CH6041AB

Control Box Assembly



Control Box Assembly

Ref. Part No: No:	Description:	Ref. Part No: No:	Description:
-------------------	--------------	-------------------	--------------

Image 1:

61	0130M00138	TRANSFORMER 208/230, 24V
71	CONT1P025024V	CONTACTOR 25 AMP, 1P, 24V (M1, M2, M3, M4, M5, M6)
71	CONT1P030024V	CONTACTOR 30 AMP, 1P, 24V (M7, M8, M9, M10)
71	CONT2P040024V	CONTACTOR 40 AMP, 2P, 24V (M11, M12)
81	PCBFM103	ELECTRONIC BLOWER TIME DELAY (M1, M2, M3, M4, M5, M6, M7, M8, M9, M10)
91	CAP050350440CS	CAPACITOR 5/35/440V (M1, M2)
91	CAP050400440CT	CAPACITOR 5/40/440V/DUAL RD (M3, M4)
91	CAP050450440CT	CAPACITOR 5/45/440V/DUAL RD (M5, M6, M7, M8, M9, M10)
91	CAP050700440CT	CAPACITOR 5/70/440V/DUAL RD (M11, M12)
191	20520901	CAPACITOR STRAP
331	0259G00004	WIRE HARNESS, ELECTRIC HEAT (M1, M2, M3, M4, M5, M6, M7, M8, M9, M10)
331	0259G00021	WIRE HARNESS, ELECTRIC HEAT (M11, M12)
481	0130M00014	240 VOLT RELAY (M1, M2, M3, M4, M5, M6, M7, M8, M9, M10)

Expanded Model Nomenclature

- | |
|--------------------|
| M1 - DP13CH2441AA |
| M2 - DP13CH2441AB |
| M3 - DP13CH3041AA |
| M4 - DP13CH3041AB |
| M5 - DP13CH3641AA |
| M6 - DP13CH3641AB |
| M7 - DP13CH4241AA |
| M8 - DP13CH4241AB |
| M9 - DP13CH4841AA |
| M10 - DP13CH4841AB |
| M11 - DP13CH6041AA |
| M12 - DP13CH6041AB |

Blower Assembly

Image 1

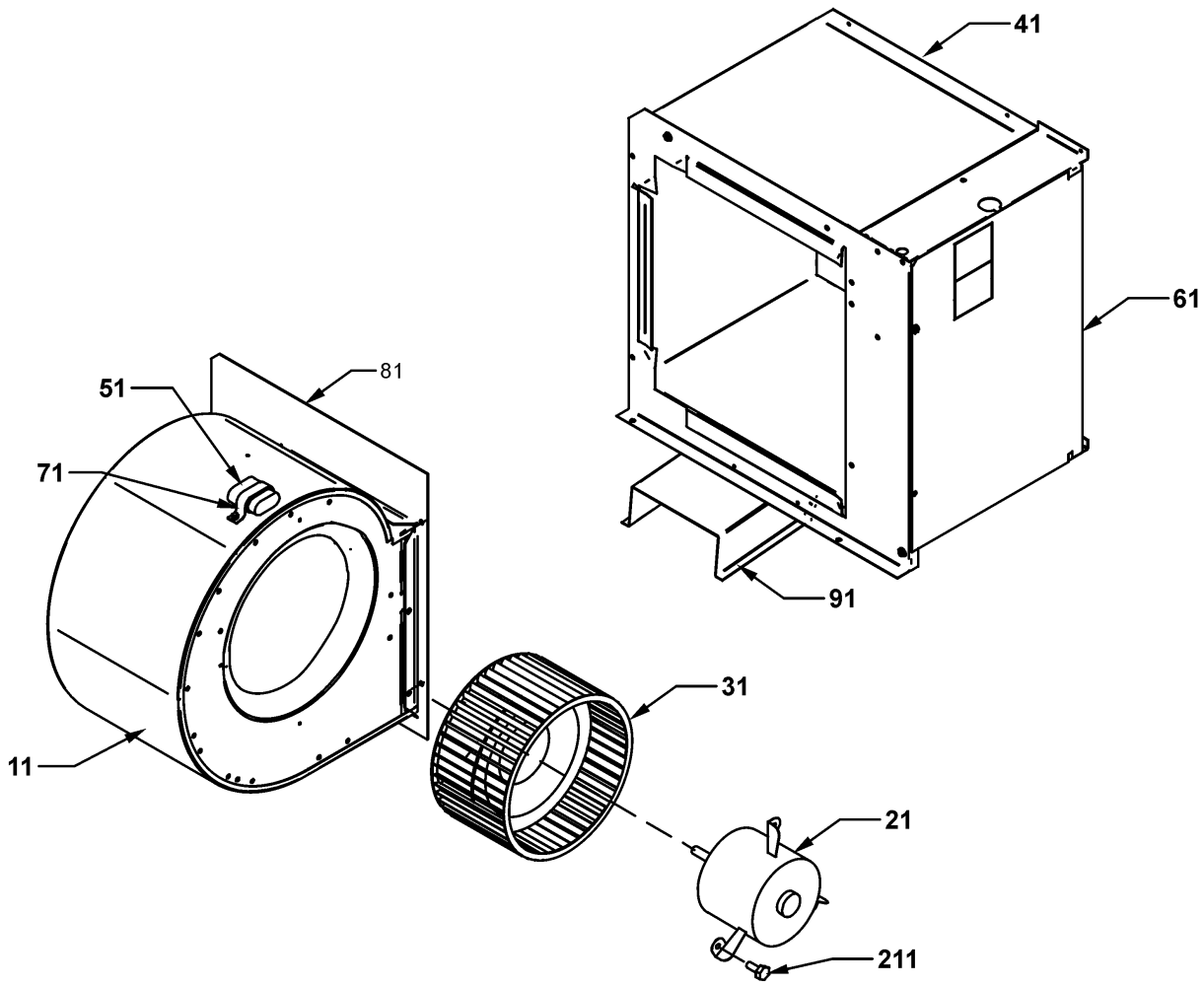
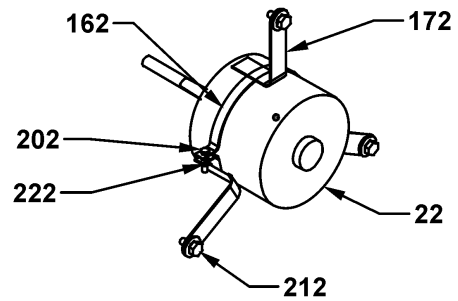


Image 2



Blower Assembly

Ref. Part No:	Description:	Ref. Part No:	Description:
Image 1:		Expanded Model Nomenclature	
11	10324248 BLOWER HOUSING 10 X 8 (M7, M8, M9, M10)	M1	DP13CH2441AA
11	0271G00017 BLOWER HOUSING 11 X 8 (M11, M12)	M2	DP13CH2441AB
11	10324246 BLOWER HOUSING 9 X 6 (M1, M2, M3, M4)	M3	DP13CH3041AA
11	10324247 BLOWER HOUSING 9 X 8 (M5, M6)	M4	DP13CH3041AB
21	0131M00010P BLOWER MOTOR 1/2 HP, 3 SP, 8 PL (M7, M8, M9, M10)	M5	DP13CH3641AA
21	11091202 BLOWER MOTOR 1/3 HP, 3 SP, 6 PL (M3, M4, M5, M6)	M6	DP13CH3641AB
21	11091207 BLOWER MOTOR 1/4 HP, 3 SP, 8 PL (M1, M2)	M7	DP13CH4241AA
31	B1368016 BLOWER WHEEL 10 X 8 (M7, M8, M9, M10)	M8	DP13CH4241AB
31	B1368054 BLOWER WHEEL 11 X 8 (M11, M12)	M9	DP13CH4841AA
31	0150M00000P BLOWER WHEEL 9 X 6 (M3, M4)	M10	DP13CH4841AB
31	B1368042 BLOWER WHEEL 9 X 6 (M1, M2)	M11	DP13CH6041AA
31	B1368036 BLOWER WHEEL 9 X 8 (M5, M6)	M12	DP13CH6041AB
41	0270G00025P TRANSITION DUCT ASSY-ALL (M7, M8, M9, M10, M11, M12)		
41	0270G00023P TRANSITION DUCT ASSY-EX1520 (M1, M2)		
41	0270G00024P TRANSITION DUCT ASSY-EX20 (M3, M4, M5, M6)		
51	CAP100000370LA CAPACITOR 10/370V (M1, M2, M3, M4, M5, M6)		
51	CAP150000370LA CAPACITOR 15/370V (M7, M8, M9, M10)		
61	0121G00039P HEATER KIT COVER		
71	20520901 CAPACITOR STRAP		
81	0121G00128P BLOWER MOUNT (M11, M12)		
81	0121G00035P BLOWER MOUNT 10 X 8 (M7, M8, M9, M10)		
81	0121G00033P BLOWER MOUNT 9 X 6 (M1, M2, M3, M4)		
81	0121G00034P BLOWER MOUNT 9 X 8 (M5, M6)		
91	0121G00040P BLOWER SUPPORT		
211	M0250558 TC SCREW (M1, M2, M3, M4, M5, M6, M7, M8, M9, M10)		
NS	C6121802 BLOWER CUT-OFF (M1, M2, M3, M4)		
NS	C6121810 BLOWER CUT-OFF (M5, M6, M7, M8, M9, M10)		
NS	B821700 CAPACITOR BOOT (M1, M2, M3, M4, M5, M6, M7, M8, M9, M10)		
NS	B1392143 GROMMET, 26TAL F/TORSIN FLEX (M1, M2, M5, M6, M7, M8, M9, M10)		
Image 2:			
22	0131M00425 BLOWER MOTOR (M11, M12)		
162	0121M00038 MOTOR MOUNT BAND (M11, M12)		
172	B1376857 MOTOR MOUNT ARM (M11, M12)		
202	B1393323 MACHINE SCREW HWH 1/4-20 X 1-1/2 BZ (M11, M12)		
212	M0250565 TC SCREW 1.25" (M11, M12)		
222	B1393800 LOCKNUT, NYLON, INSERT 1/4, 20 (M11, M12)		
NS	2964700 BLOWER CUT-OFF 11 X 8 (M11, M12)		