

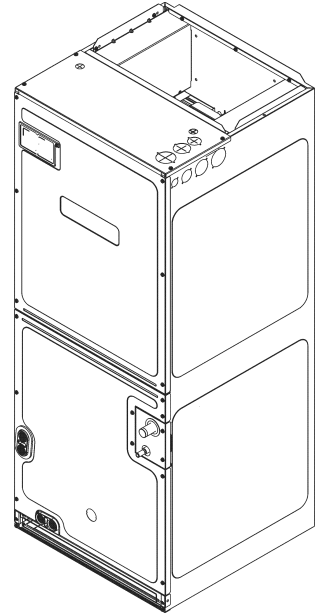
## AVPEC EEV Air Handler

AVPEC25B14BA

AVPEC37C14BA

AVPEC59D14BA

AVPEC61D14BA



Amana® is a registered trademark of Maytag Corporation or its related companies and is used under license. All rights reserved.

This manual is to be used by qualified technicians only.

# Important Information

---

## Index

Functional Parts List .....	3
Illustration and Parts .....	4 - 9

*Views shown are for parts illustrations only, not servicing procedures.*

### Text Codes:

AR - As Required

NA - Not Available

NS - Not Shown

00000000 - See Note

QTY - Quantity Example (QTY 3) (If Quantity not shown, Quantity = 1)

M - Model Example (M1) (If M Code not shown, then part is used on all Models)

### Expanded Model Nomenclature:

Example M1 - Model#1 M2 - Model#2 M3 - Model#3
---

Goodman Company, L.P. is not responsible for personal injury or property damage resulting from improper service. Review all service information before beginning repairs.

Warranty service must be performed by an authorized technician, using authorized factory parts. If service is required after the warranty expires, Goodman Company, L.P. also recommends contacting an authorized technician and using authorized factory parts.

Goodman Company, L.P. reserves the right to discontinue, or change at any time, specifications or designs without notice or without incurring obligations.

For assistance within the U.S.A. contact:

Homeowner Support  
Goodman Company, L.P.  
19001 Kermier Road  
Waller, Texas 77484  
877-254-4729-Telephone  
713-863-2382-Facsimile

For assistance outside the U.S.A. contact:

International Division  
Goodman Company, L.P.  
19001 Kermier Road  
Waller, Texas 77484  
713-861-2500-Telephone  
713-863-2382-Facsimile

# Functional Parts

## Part

## No: Description:

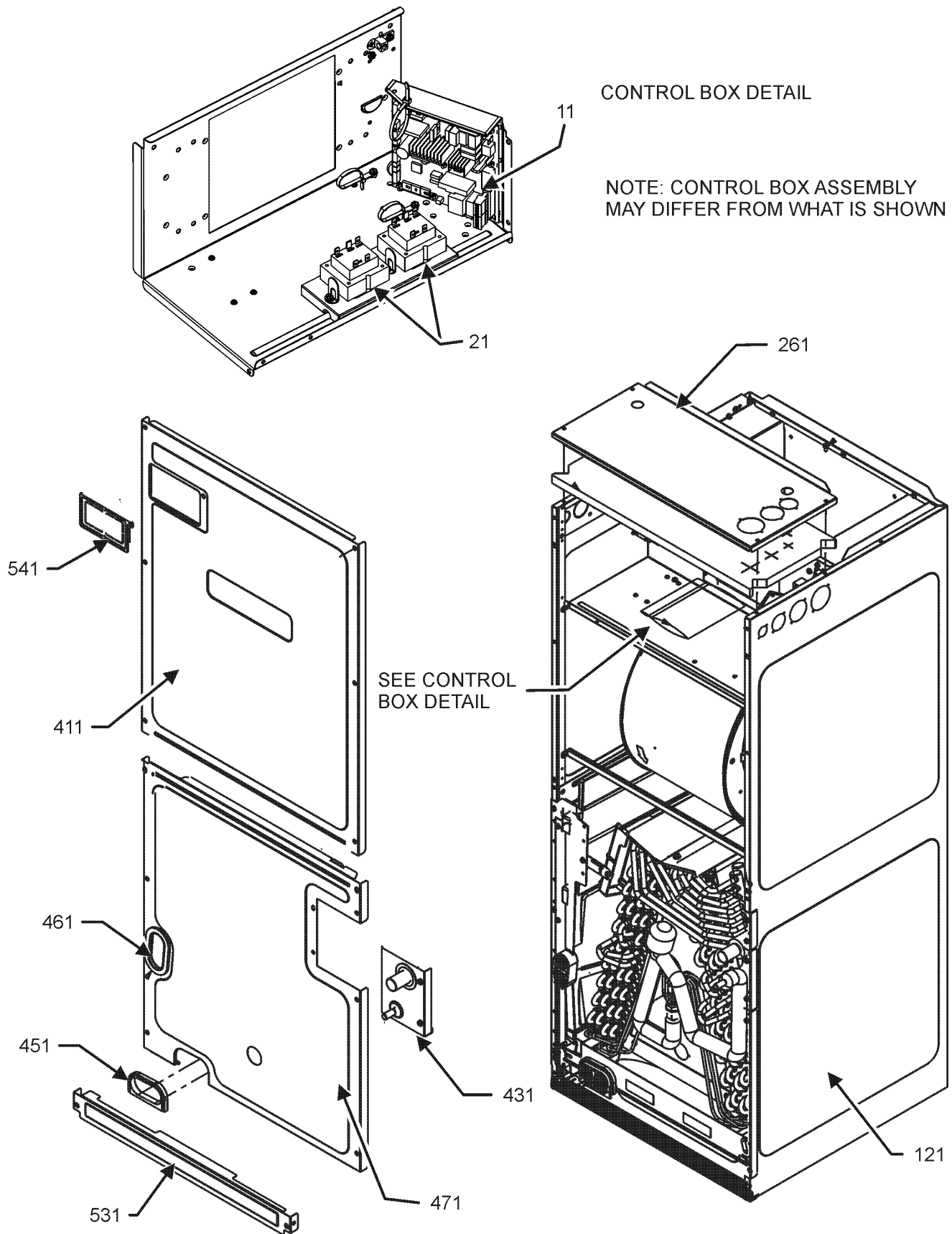
---

SHARED DATA	Available thru CoolCloud HVAC app
3P381420-2	EEV COIL
0131M00272	MOTOR, 1 HP, SERIAL ECM (M3, M4)
0131M00270	MOTOR, 1/2 HP, SERIAL ECM (M1)
0131M00271	MOTOR, 3/4 HP, SERIAL ECM (M2)
PCBJA105	PCB, CONTROL, AIR HANDLER
3S481012-1	PRESSURE SENSOR
3S500031-1	PULSE MOTOR EXPANS EEV
4P389796-1	THERMISTOR ASSY
0130M00330	TRANSFORMER, 208/230, 24V (QTY 2)

### Expanded Model Nomenclature

M1 - AVPEC25B14BA
M2 - AVPEC37C14BA
M3 - AVPEC59D14BA
M4 - AVPEC61D14BA

# Control Panel and Wrapper Assembly



# Control Panel and Wrapper Assembly

Ref. Part No:	Ref. Part No:	Description:	Description:
---------------	---------------	--------------	--------------

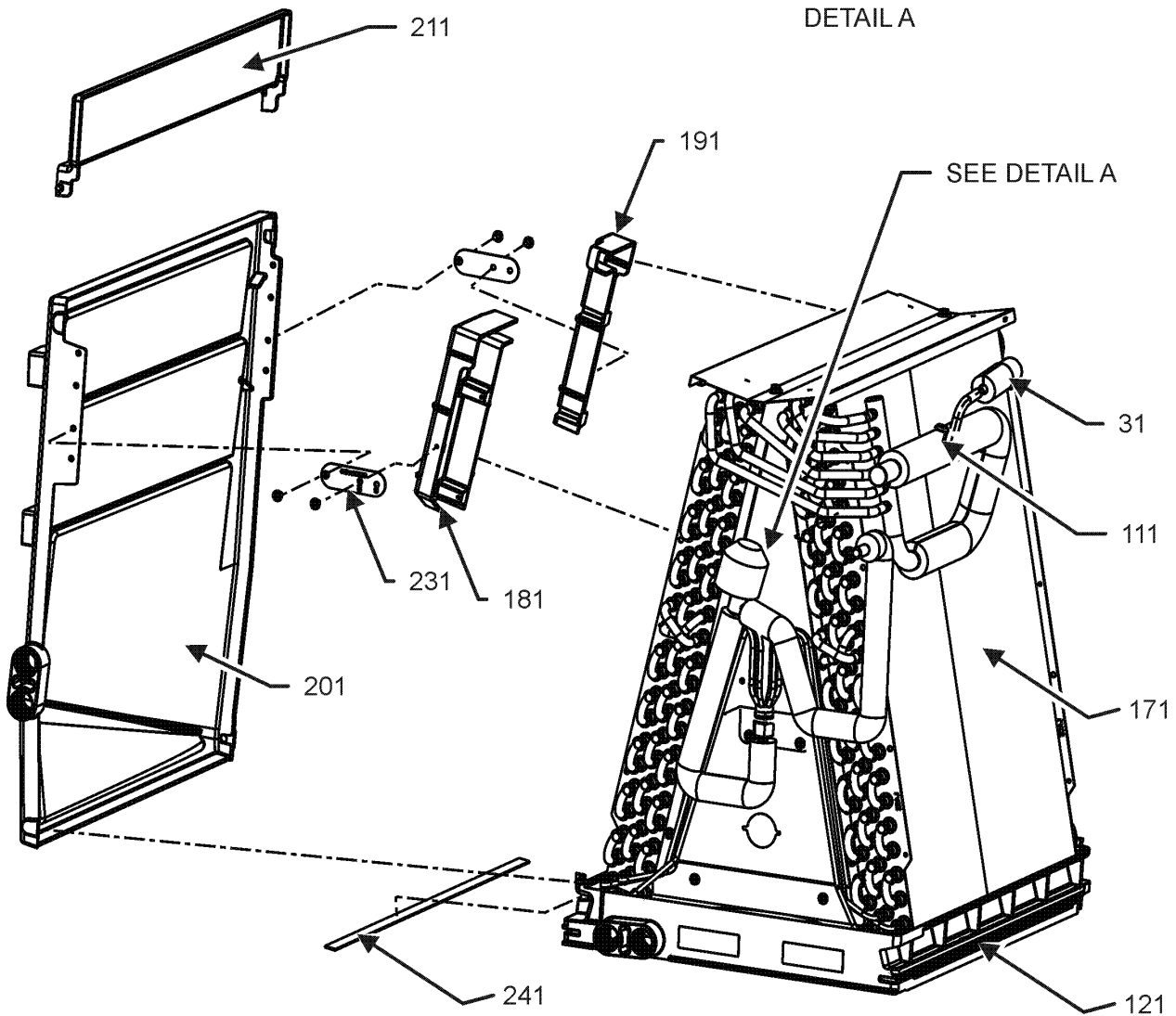
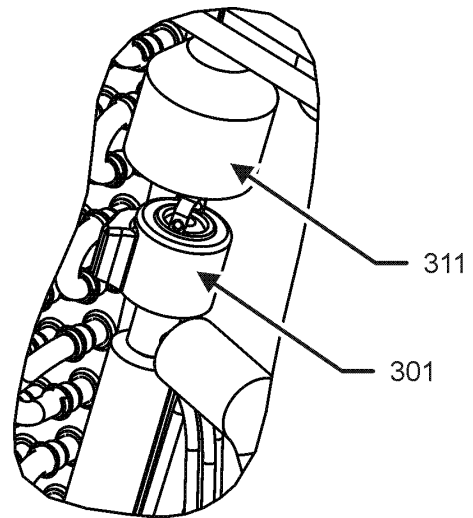
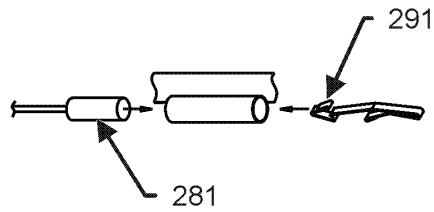
**Image 1:**

11	PCBJA105	PCB, CONTROL, AIR HANDLER
21	0130M00330	TRANSFORMER, 208/230, 24V (QTY 2)
121	0121A00455PDG	WRAPPER (M3)
121	0121A00456PDG	WRAPPER (M2)
121	0121A00458PDG	WRAPPER (M1)
121	0121A00276PDG	WRAPPER, LARGE, PAINTED (M4)
261	0121A00252PDG	Plate, Upper Tie, Ptd (M1)
261	0121A00253PDG	Plate, Upper Tie, Ptd (M2)
261	0121A00254PDG	Plate, Upper Tie, Ptd (M3, M4)
411	0121A01440PDG	PANEL, UPPER ACCESS (M3, M4)
411	0121A01441PDG	PANEL, UPPER ACCESS (M2)
411	0121A01442PDG	PANEL, UPPER ACCESS (M1)
431	0121A00658PDG	REFRIGERATION TUBING PANEL
451	0154A00006BL	GASKET, DRAIN PAN
461	0154A00007BL	GASKET, DRAIN PAN
471	0121A00460PDG	LOWER ACCESS PANEL (M3)
471	0121A00461PDG	LOWER ACCESS PANEL (M2)
471	0121A00463PDG	LOWER ACCESS PANEL (M1)
471	0121A00618PDG	LOWER ACCESS PANEL (M4)
531	0121A00242PDG	Panel, Filter Access, Ptd (M1)
531	0121A00243PDG	Panel, Filter Access, Ptd (M2)
531	0121A00244PDG	Panel, Filter Access, Ptd (M3, M4)
541	0161A00073	CIRCUIT BREAKER COVER
NS	B1392136	2.00" VIEW PORT BUSHING
NS	SHARED DATA	Available thru CoolCloud HVAC app
NS	0164A00002	GROMMET
NS	0163M00036	SCREW,#10X1/2,B,BZ,SLOT,SR,BLK (QTY 4)
NS	0163A00026	THUMB SCREW (QTY 2)
NS	BT1392909	WASHER; SS RETAINING (QTY 2)
NS	0259A00021	WIRE ASSY, 9 PIN FEMALE CONN
NS	0259A00033P	WIRE ASSY, 9 PIN FEMALE CONN
NS	0259A00031P	WIRE HARNESS, CONNECTOR

**Expanded Model Nomenclature**

M1 - AVPEC25B14BA
M2 - AVPEC37C14BA
M3 - AVPEC59D14BA
M4 - AVPEC61D14BA

# Coil Assembly



NOTE: COIL ASSEMBLY MAY DIFFER FROM WHAT IS SHOWN

# Coil Assembly

Ref. Part No:	No:	Description:	Ref. Part No:	No:	Description:
<b>Image 1:</b>					
31	3S481012-1	PRESSURE SENSOR			
111	0151M00104	VALVE CORE			
121	0161A00049	DRAINPAN, VERTICAL (M1)			
121	0161A00051	DRAINPAN, VERTICAL (M3, M4)			
121	0161A00052	DRAINPAN, VERTICAL (M2)			
171	0270A01026	COIL TUBING ASSY (M1)			
171	0270A01027	COIL TUBING ASSY (M2)			
171	0270A01028	COIL TUBING ASSY (M3)			
171	0270A01029	COIL TUBING ASSY (M4)			
181	0161A00060	CONDENSATE, COLLECT, FRONT			
191	0161A00061	CONDENSATE, COLLECT, BACK			
201	0161A00053	DRAIN PAN HORIZONTAL, TALL			
211	0161A00054	DRAIN PAN, EXTENSION, SMALL (M1, M2, M3)			
211	0161A00056	DRAIN PAN, EXTENSION, TALL (M4)			
231	0121A00633	BRACKET, DRIP SHIELD (M1, M2)			
231	0121A00634	BRACKET, DRIP SHIELD (M3, M4)			
241	0154A00016	GASKET, PORON			
281	4P389796-1	THERMISTOR ASSY			
291	4PA38890-1	MOUNTING SPRING, THERMISTOR (QTY 2)			
301	3P381420-2	EEV COIL			
311	4P399446-1	WATERPROOF CAP			
NS	0163M00175	CAP WITH O-RING			
NS	0154A00006BL	Gasket, Drain Pan			
NS	0154A00007BL	Gasket, Drain Pan			
NS	3S500031-1	MOTOR OPERATED VALVE BODY			
NS	0259A00023	WIRE HARNESS ASSY			
NS	0259A00024	WIRE HARNESS ASSY			
NS	0259A00025	WIRE HARNESS ASSY			

## Expanded Model Nomenclature

- |                   |
|-------------------|
| M1 - AVPEC25B14BA |
| M2 - AVPEC37C14BA |
| M3 - AVPEC59D14BA |
| M4 - AVPEC61D14BA |

# Blower Assembly

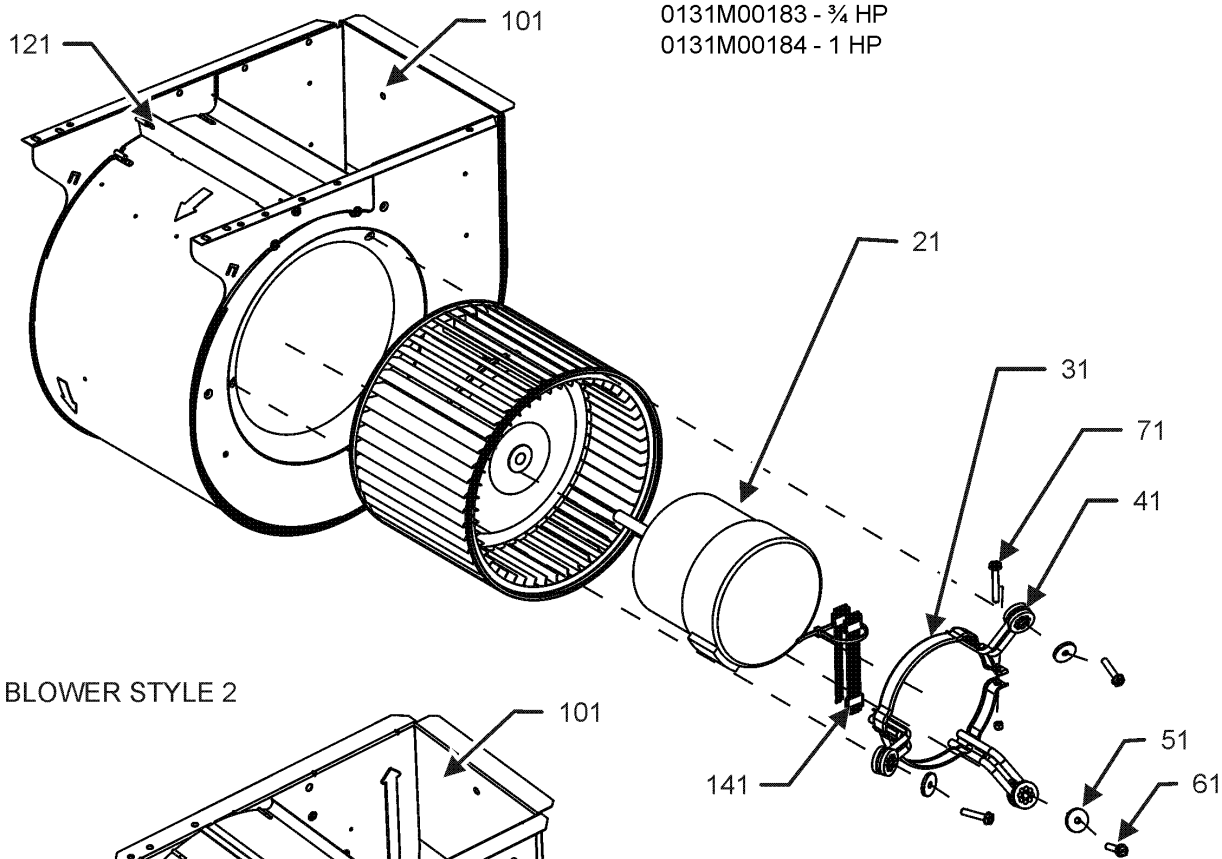
## BLOWER STYLE 1

\*If end bells are needed please order the following:

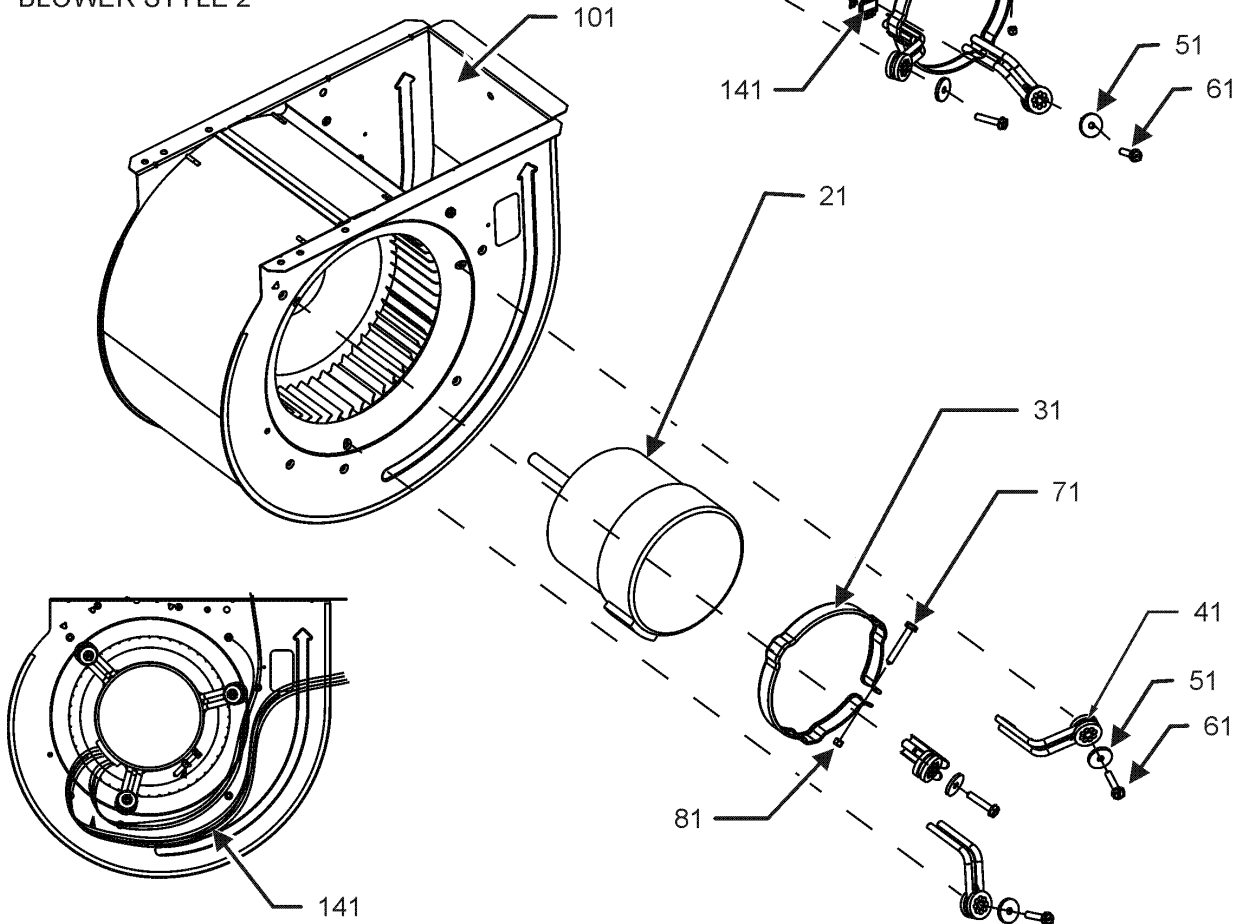
0131M00182 - 1/2 HP

0131M00183 - 3/4 HP

0131M00184 - 1 HP



## BLOWER STYLE 2





# Blower Assembly

Ref. Part No:	No:	Description:	Ref. Part No:	No:	Description:
---------------	-----	--------------	---------------	-----	--------------

---

**Image 1:**

21	0131M00272	MOTOR, 1 HP, SERIAL ECM (M3, M4)
21	0131M00270	MOTOR, 1/2 HP, SERIAL ECM (M1)
21	0131M00271	MOTOR, 3/4 HP, SERIAL ECM (M2)
31	0121M00038	MOUNT BAND, MOTOR (M1)
31	0121M00039	MOUNT BAND, MOTOR (HEAVY DUTY) (M2, M3, M4)
41	0163M00538	MOUNT ARM, MOTOR (M2, M3, M4)
41	0171M00012	MOUNT MOUNT ARM (M1)
51	B1392918	WASHER, FLAT 1/4 ID X 1 OD (QTY 3)
61	M0250565	TC SCREW 1.25" (QTY 3)
71	0163M00320	HEX HED ALL THREAD TAP BOLT
81	B1393800	LOCKNUT, NYLON, INSERT 1/4,20
101	0271A00016	BLOWER HOUSING ASSY 10 X 10 (M2)
101	0271A00203	BLOWER SHELL ASSEMBLY (M1)
101	0271A00206	BLOWER SHELL ASSY (M3, M4)
121	764741	BLOWER BLOCK-OFF 10 X 10 (M2)
131	0150M00059	WHEEL, BLOWER (M2)
141	0259M00008	WIRE HARNESS
NS	0163M00003P	SCREW,#10 X 1/2,A,SLOT,SR,BLK

**Expanded Model Nomenclature**

M1 - AVPEC25B14BA
M2 - AVPEC37C14BA
M3 - AVPEC59D14BA
M4 - AVPEC61D14BA