

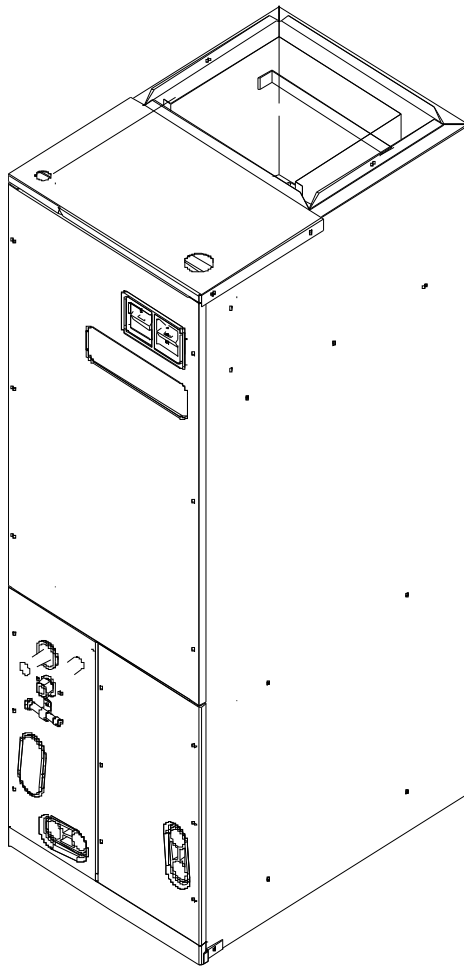


REPAIR PARTS

ARUF Air Handler

Models and manufacturing numbers in this manual

ARUF018-00A-1A
ARUF024-00A-1A
ARUF030-00A-1A
ARUF032-00A-1A
ARUF032-00A-1B
ARUF032-00A-1C
ARUF036-00A-1A
ARUF042-00A-1A
ARUF042-00A-1B
ARUF048-00A-1A
ARUF049-00A-1A
ARUF049-00A-1B
ARUF060-00A-1A
ARUF061-00A-1A
ARUF061-00A-1B



Made in the USA by:
Goodman Manufacturing Company, L.P.
2550 North Loop West, Suite 400
Houston Texas 77092

www.goodmanmfg.com

RP-330B
Revision 0
August 2005

Important Information

Index

Functional Parts List	3
Illustration and Parts	4 - 7

Views shown are for parts illustrations only, not servicing procedures

Revision B adds: ARUF042-00A-1B, ARUF049-00A-1B, ARUF061-00A-1B

Text Codes:

AR - As Required

NA - Not Available

NS - Not Shown

00000000 - See Note

QTY - Quantity Example (QTY 3) (If Quantity not shown, Quantity = 1)

M - Model Example (M1) (If M Code not shown, then part is used on all Models)

Expanded Model Nomenclature:

Example	
M1 - Model#1	P _____
M2 - Model#2	P _____
M3 - Model#3	P _____

Goodman Manufacturing Company, L.P. is not responsible for personal injury or property damage resulting from improper service. Review all service information before beginning repairs.

Warranty service must be performed by an authorized technician, using authorized factory parts. If service is required after the warranty expires, Goodman Manufacturing Company, L.P. also recommends contacting an authorized technician and using authorized factory parts.

Goodman Manufacturing Company, L.P., reserves the right to discontinue, or change at any time, specifications or designs without notice or without incurring obligations. Goodman® brand products are made proudly in the USA.

For assistance within the U.S.A. contact:

Consumer Affairs Department
Goodman Manufacturing Company, L.P.
7401 Security Way
Houston, Texas 77040
877-254-4729-Telephone
713-863-2382-Facsimile

For assistance outside the U.S.A. contact:

International Division
Goodman Manufacturing Company, L.P.
7401 Security Way
Houston, Texas 77040
713-861-2500-Telephone
713-863-2382-Facsimile

Functional Parts

Part

No: Description:

B1368057S	BLOWER WHEEL, 10 X 10 (M13, M14, M15)
B1368016S	BLOWER WHEEL, 10 X 8 (M12)
B1368035S	BLOWER WHEEL, 5 3/4 X 8 (M1)
0150M00000S	BLOWER WHEEL, 9 X 6 (M2, M3, M4, M5, M6)
B1368036S	BLOWER WHEEL, 9 X 8 (M7, M8, M9, M10, M11)
B945652	CAPACITOR, 10/370 (M5, M6, M9)
B945672	CAPACITOR, 12.5/370 (M8, M10, M11)
B945653	CAPACITOR, 15/370 (M12, M13, M14, M15)
B945650	CAPACITOR, 5/370 (M1, M2)
B945651	CAPACITOR, 7.5/370 (M3, M4, M7)
B13400353	MOTOR, 1/2 HP, 2-SPD, 208-230-60-1, 1075 RPM (M8, M10, M11)
11091204	MOTOR, 1/2 HP, 3-SPD, 208/230-60-1, 800 RPM (M12)
B13400312	MOTOR, 1/3 HP, 2-SPD, 208-230-60-1, 1075 RPM (M3, M4, M7)
0131M00005P	MOTOR, 1/3 HP, 3-SPD, 208/230-60-1, 1055 RPM (M5, M6)
11091203S	MOTOR, 1/3 HP, 3-SPD, 208/230-60-1, 900 RPM (M9)
B13400313	MOTOR, 1/5 HP, 2-SPD, 208-230-60-1, 1075 RPM (M1, M2)
B13400208S	MOTOR, 3/4 HP, 2-SPD, 208/230-60-1, 1080 RPM (M13, M14)
0131M00000P	MOTOR, 3/4 HP, 3-SPD, 208/230-60-1, 1100 RPM (M15)
B1370735S	RELAY, ELECTRONIC BLOWER TIME DELAY
B1796631	TEFLON SEAL, 20 IN A PACK
B1141643	TRANSFORMER, 45VA, 208/230V PRIM., 24V SEC.

SPECIAL PARTS

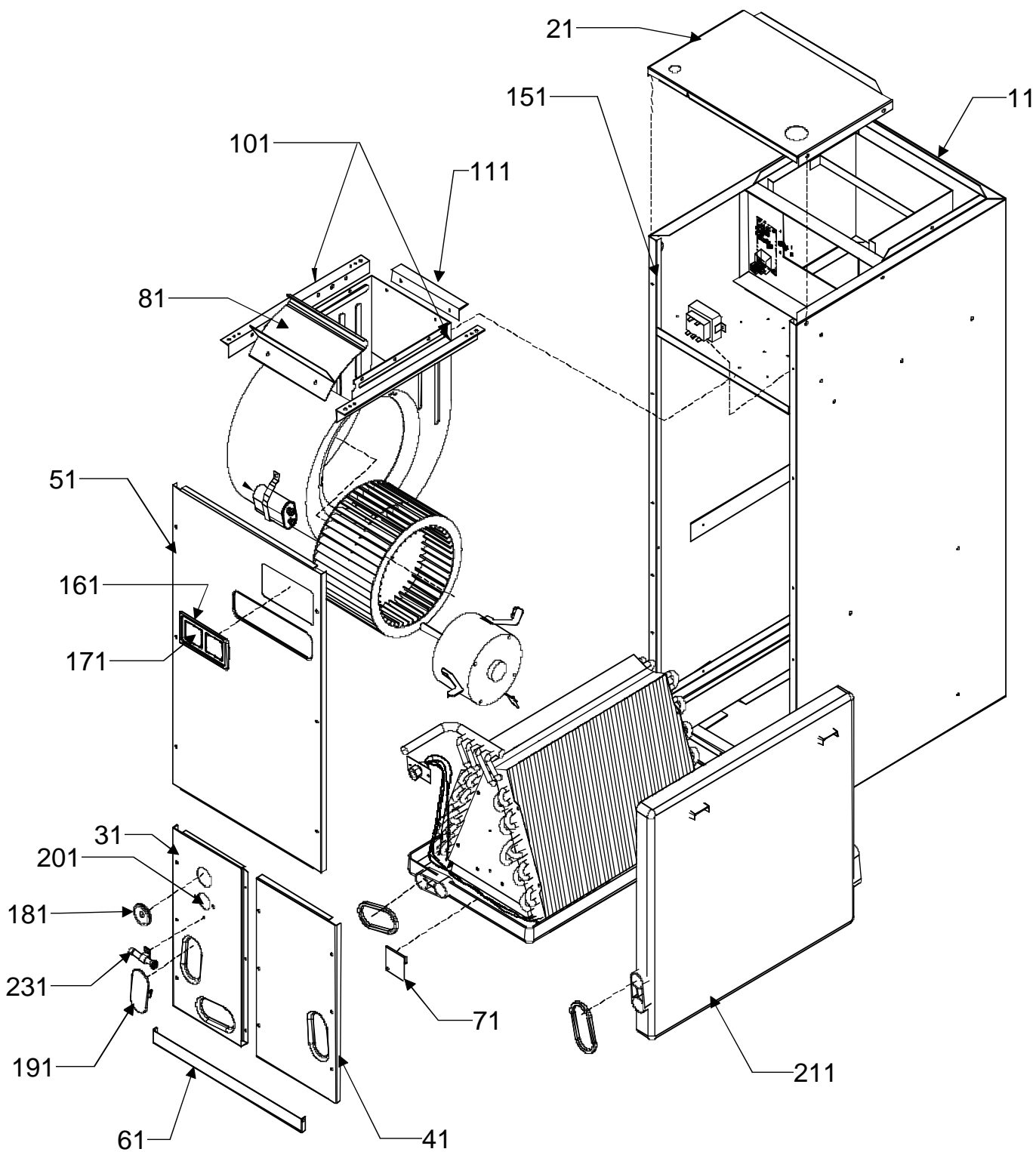
IO-230H I & O MANUAL

RP-330B REPAIR PARTS MANUAL

Expanded Model Nomenclature

M1 - ARUF018-00A-1A
M2 - ARUF024-00A-1A
M3 - ARUF030-00A-1A
M4 - ARUF032-00A-1A
M5 - ARUF032-00A-1B
M6 - ARUF032-00A-1C
M7 - ARUF036-00A-1A
M8 - ARUF042-00A-1A
M9 - ARUF042-00A-1B
M10 - ARUF048-00A-1A
M11 - ARUF049-00A-1A
M12 - ARUF049-00A-1B
M13 - ARUF060-00A-1A
M14 - ARUF061-00A-1A
M15 - ARUF061-00A-1B

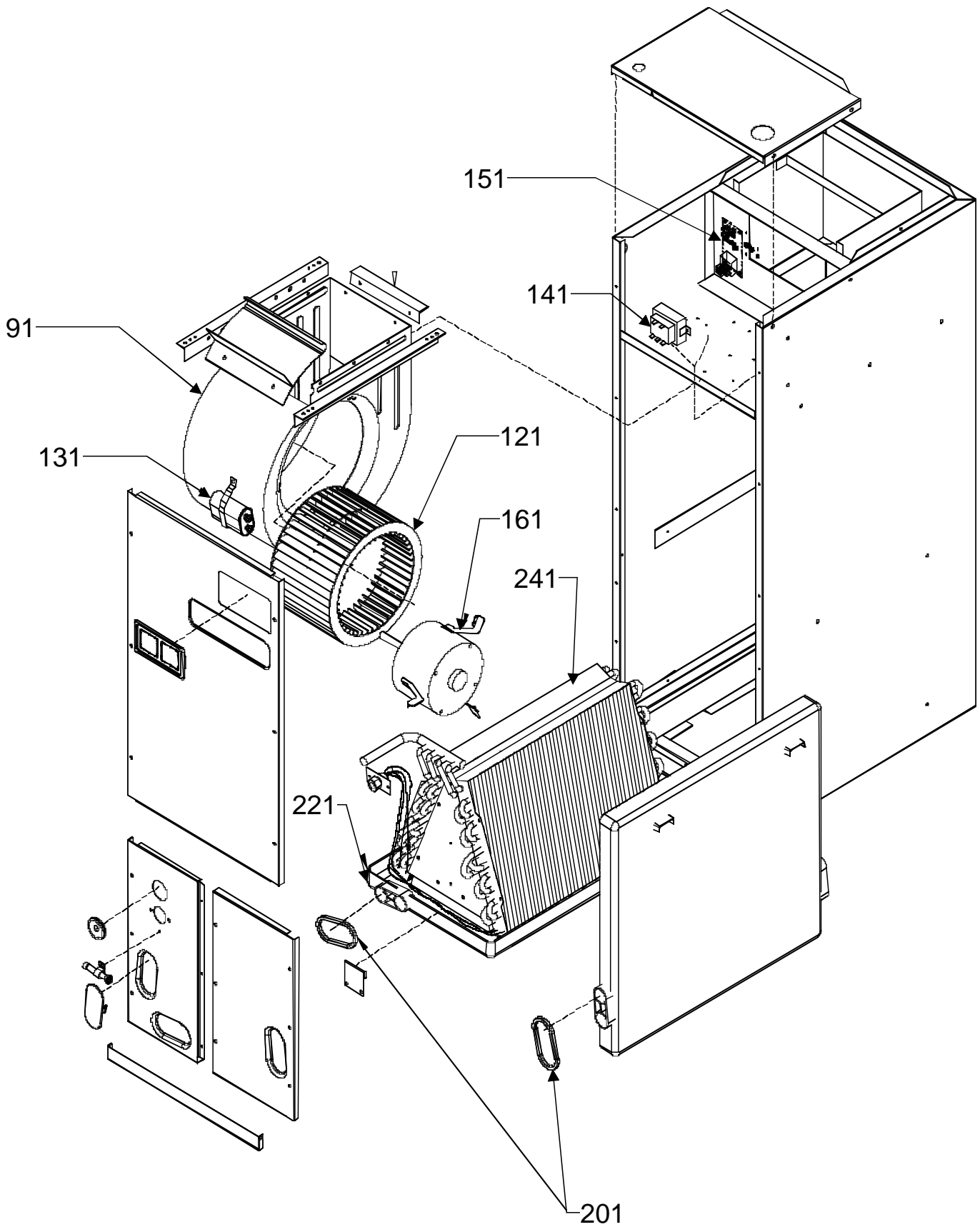
Cabinet



Cabinet

Ref. Part No:	No:	Description:	Ref. Part No:	No:	Description:
<i>Image 1:</i>			Expanded Model Nomenclature		
11	1721123	WRAPPER, CABINET, LRG (M10, M11, M12, M13, M14, M15)	M1 - ARUF018-00A-1A		
11	1721122	WRAPPER, CABINET, MED (M7, M8, M9)	M2 - ARUF024-00A-1A		
11	1721121	WRAPPER, CABINET, SML (M1, M2, M3, M4, M5, M6)	M3 - ARUF030-00A-1A		
21	1721930PDG	PLATE, UPPER TIE, LRG (M10, M11, M12, M13, M14, M15)	M4 - ARUF032-00A-1A		
21	1721929PDG	PLATE, UPPER TIE, MED (M7, M8, M9)	M5 - ARUF032-00A-1B		
21	1721931PDG	PLATE, UPPER TIE, SML (M1, M2, M3, M4, M5, M6)	M6 - ARUF032-00A-1C		
31	1722078PDG	PANEL, LOWER ACCESS, LRG (M10, M11, M12, M13, M14, M15)	M7 - ARUF036-00A-1A		
31	1722077PDG	PANEL, LOWER ACCESS, SML/MED (M1, M2, M3, M4, M5, M6, M7, M8, M9)	M8 - ARUF042-00A-1A		
41	1722081PDG	PANEL, LOWER SERVICE, LRG (M10, M11, M12, M13, M14, M15)	M9 - ARUF042-00A-1B		
41	1722080PDG	PANEL, LOWER SERVICE, MED (M7, M8, M9)	M10 - ARUF048-00A-1A		
41	1722079PDG	PANEL, LOWER SERVICE, SML (M1, M2, M3, M4, M5, M6)	M11 - ARUF049-00A-1A		
51	1722084PDG	PANEL, UPPER SERVICE, LRG (M10, M11, M12, M13, M14, M15)	M12 - ARUF049-00A-1B		
51	1722083PDG	PANEL, UPPER SERVICE, MED (M7, M8, M9)	M13 - ARUF060-00A-1A		
51	1722082PDG	PANEL, UPPER SERVICE, SML (M1, M2, M3, M4, M5, M6)	M14 - ARUF061-00A-1A		
61	1722087PDG	FILTER COVER, LRG (M10, M11, M12, M13, M14, M15)	M15 - ARUF061-00A-1B		
61	1722086PDG	FILTER COVER, MED (M7, M8, M9)			
61	1722085PDG	FILTER COVER, SML (M1, M2, M3, M4, M5, M6)			
71	1722347	BRACKET, COIL RETAINING			
81	1824004	BLOWER CUT-OFF (M15)			
81	1864700	BLOWER CUT-OFF (M13, M14)			
81	764733	BLOWER CUT-OFF (M1, M2, M3, M4, M5, M6)			
81	764734	BLOWER CUT-OFF (M7, M8, M9)			
81	764736	BLOWER CUT-OFF (M10, M11, M12)			
101	1717107	ANGLE, BLOWER MOUNTING, QTY 2 (M1, M2, M3, M4, M5, M6, M7, M8, M9, M13, M14, M15)			
101	1717108	ANGLE, BLOWER MOUNTING, QTY 2 (M10, M11, M12)			
111	1717109	ANGLE BRACKET			
171	B1392641	INSERT, CURCUIT BREAKER, PLASTIC			
181	B1392630	GROMMET, DRAIN HOLE			
191	B1392640	COVER, DRAIN HOLE, PLASTIC			
211	B1756021L	HORIZONTAL DRAIN PAN (M1, M2, M3, M4, M5, M6)			
211	B1756022L	HORIZONTAL DRAIN PAN (M7, M8, M9)			
211	B1756028L	HORIZONTAL DRAIN PAN (M10, M11, M12, M13, M14, M15)			
231	B1796630	TUBE INLET			
NS	B260S8982	TOUCH UP SPRAY PAINT, DARK GRAY			

Internal Components



Internal Components

**Ref. Part
No: No:**

Description:

**Ref. Part
No: No:**

Description:

Image 1:

91	1439398	BLOWER SHELL, 10 X 10 (M13, M14, M15)
91	1439391	BLOWER SHELL, 10 X 8 (M10, M11, M12)
91	1439389	BLOWER SHELL, 9 X 6 (M1, M2, M3, M4, M5, M6)
91	1839304	BLOWER SHELL, 9 X 8 (M7, M8, M9)
121	B1368057S	BLOWER WHEEL, 10 X 10 (M13, M14, M15)
121	B1368016S	BLOWER WHEEL, 10 X 8 (M12)
121	B1368035S	BLOWER WHEEL, 5 3/4 X 8 (M1)
121	0150M00000S	BLOWER WHEEL, 9 X 6 (M2, M3, M4, M5, M6)
121	B1368036S	BLOWER WHEEL, 9 X 8 (M7, M8, M9, M10, M11)
131	B945652	CAPACITOR, 10/370 (M5, M6, M9)
131	B945672	CAPACITOR, 12.5/370 (M8, M10, M11)
131	B945653	CAPACITOR, 15/370 (M12, M13, M14, M15)
131	B945650	CAPACITOR, 5/370 (M1, M2)
131	B945651	CAPACITOR, 7.5/370 (M3, M4, M7)
141	B1141643	TRANSFORMER, 45VA, 208/230V PRIM., 24V SEC.
151	B1370735S	RELAY, ELECTRONIC BLOWER TIME DELAY
161	B13400353	MOTOR, 1/2 HP, 2-SPD, 208-230-60-1, 1075 RPM (M8, M10, M11)
161	11091204	MOTOR, 1/2 HP, 3-SPD, 208/230-60-1, 800 RPM (M12)
161	B13400312	MOTOR, 1/3 HP, 2-SPD, 208-230-60-1, 1075 RPM (M3, M4, M7)
161	0131M00005P	MOTOR, 1/3 HP, 3-SPD, 208/230-60-1, 1055 RPM (M5, M6)
161	11091203S	MOTOR, 1/3 HP, 3-SPD, 208/230-60-1, 900 RPM (M9)
161	B13400313	MOTOR, 1/5 HP, 2-SPD, 208-230-60-1, 1075 RPM (M1, M2)
161	B13400208S	MOTOR, 3/4 HP, 2-SPD, 208/230-60-1, 1080 RPM (M13, M14)
161	0131M00000P	MOTOR, 3/4 HP, 3-SPD, 208/230-60-1, 1100 RPM (M15)
201	B1392631	GASKET, SEAL, QTY 2
221	B1756013L	VERTICAL DRAIN PAN (M1, M2, M3, M4, M5, M6)
221	B1756017L	VERTICAL DRAIN PAN (M7, M8, M9)
221	B1756020L	VERTICAL DRAIN PAN (M10, M11, M12, M13, M14, M15)
241	P140118	COIL PAN ASSEMBLY (M1)
241	P140124	COIL PAN ASSEMBLY (M2)
241	P140130	COIL PAN ASSEMBLY (M3)
241	P140132	COIL PAN ASSEMBLY (M4, M5, M6)
241	P140136	COIL PAN ASSEMBLY (M7)
241	P140142	COIL PAN ASSEMBLY (M8, M9)
241	P140148	COIL PAN ASSEMBLY (M10)
241	P140149	COIL PAN ASSEMBLY (M11, M12)
241	P140160	COIL PAN ASSEMBLY (M13)
241	P140161	COIL PAN ASSEMBLY (M14, M15)
251	B1796631	TEFLON SEAL, 20 IN A PACK
261	B1796632	TEFLON SEAL AND NUT ASSEMBLY
NS	B821700	CAPACITOR RUBBER BOOT
NS	1284835	CAPACITOR STRAP, METEL
NS	B1376863	MOTOR MOUNT ARM, QTY3 (M12, M13, M14, M15)
NS	B1376851	MOTOR MOUNT BAND (M12)
NS	B1376862	MOTOR MOUNT BAND (M13, M14, M15)

Expanded Model Nomenclature

M1 - ARUF018-00A-1A
M2 - ARUF024-00A-1A
M3 - ARUF030-00A-1A
M4 - ARUF032-00A-1A
M5 - ARUF032-00A-1B
M6 - ARUF032-00A-1C
M7 - ARUF036-00A-1A
M8 - ARUF042-00A-1A
M9 - ARUF042-00A-1B
M10 - ARUF048-00A-1A
M11 - ARUF049-00A-1A
M12 - ARUF049-00A-1B
M13 - ARUF060-00A-1A
M14 - ARUF061-00A-1A
M15 - ARUF061-00A-1B