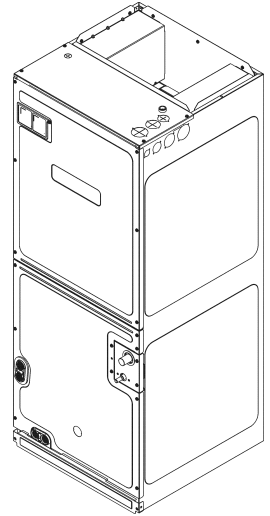


## AMVT Air Handler

AMVT24BP1400AA  
AMVT30BP1400AA  
AMVT36BP1400AA  
AMVT36CP1400AA  
AMVT42CP1400AA  
AMVT48CP1400AA  
AMVT48DP1400AA  
AMVT60DP1400AA



Amana® is a registered trademark of Maytag Corporation or its related companies and is used under license. All rights reserved.

This manual is to be used by qualified technicians only.

© 2023 Goodman Company, L.P. ♦ 19001 Kermier Rd. ♦ Waller, TX 77484

# Important Information

---

## Index

Functional Parts List .....	3
Illustration and Parts .....	4 - 9

*Views shown are for parts illustrations only, not servicing procedures.*

### Text Codes:

AR - As Required

NA - Not Available

NS - Not Shown

00000000 - See Note

QTY - Quantity Example (QTY 3) (If Quantity not shown, Quantity = 1)

M - Model Example (M1) (If M Code not shown, then part is used on all Models)

### Expanded Model Nomenclature:

Example M1 - Model#1 M2 - Model#2 M3 - Model#3
---

Goodman Company, L.P. is not responsible for personal injury or property damage resulting from improper service. Review all service information before beginning repairs.

Warranty service must be performed by an authorized technician, using authorized factory parts. If service is required after the warranty expires, Goodman Company, L.P. also recommends contacting an authorized technician and using authorized factory parts.

Goodman Company, L.P. reserves the right to discontinue, or change at any time, specifications or designs without notice or without incurring obligations.

For assistance within the U.S.A. contact:

Homeowner Support  
Goodman Company, L.P.  
19001 Kermier Road  
Waller, Texas 77484  
877-254-4729-Telephone  
713-863-2382-Facsimile

For assistance outside the U.S.A. contact:

International Division  
Goodman Company, L.P.  
19001 Kermier Road  
Waller, Texas 77484  
713-861-2500-Telephone  
713-863-2382-Facsimile

# Functional Parts

## Part

## No: Description:

---

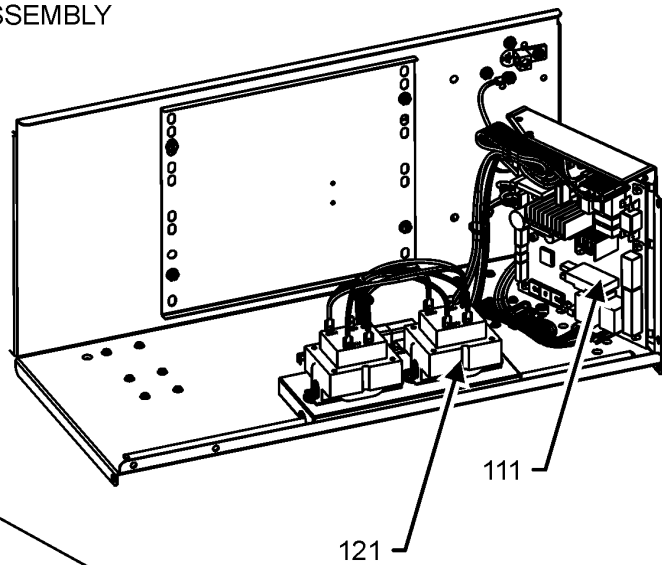
SHARED DATA	Available thru CoolCloud HVAC app
0131M01011	MOTOR, 1 HP (M7, M8)
0131M01002	MOTOR, 1/2 HP (M1, M2)
0131M01003	MOTOR, 3/4 HP (M3, M4, M5, M6)
PCBJA106V009	PCB CONTROL, AIR HANDLER
0130M00138	TRANSFORMER, 208/230, 24V
0151R00209	TXV-FX-2T-ADJ VALVE (M1)
0151R00210	TXV-FX-3T-ADJ VALVE (M2, M3, M4)
0151R00235	TXV-FX-5T-ADJ VALVE SET 101.5 (M7, M8)
0151R00234	TXV-FX-5T-ADJ VALVE SET105.1 (M6)
0151R00233	TXV-FX-5T-ADJ VALVE SET107 (M5)

### Expanded Model Nomenclature

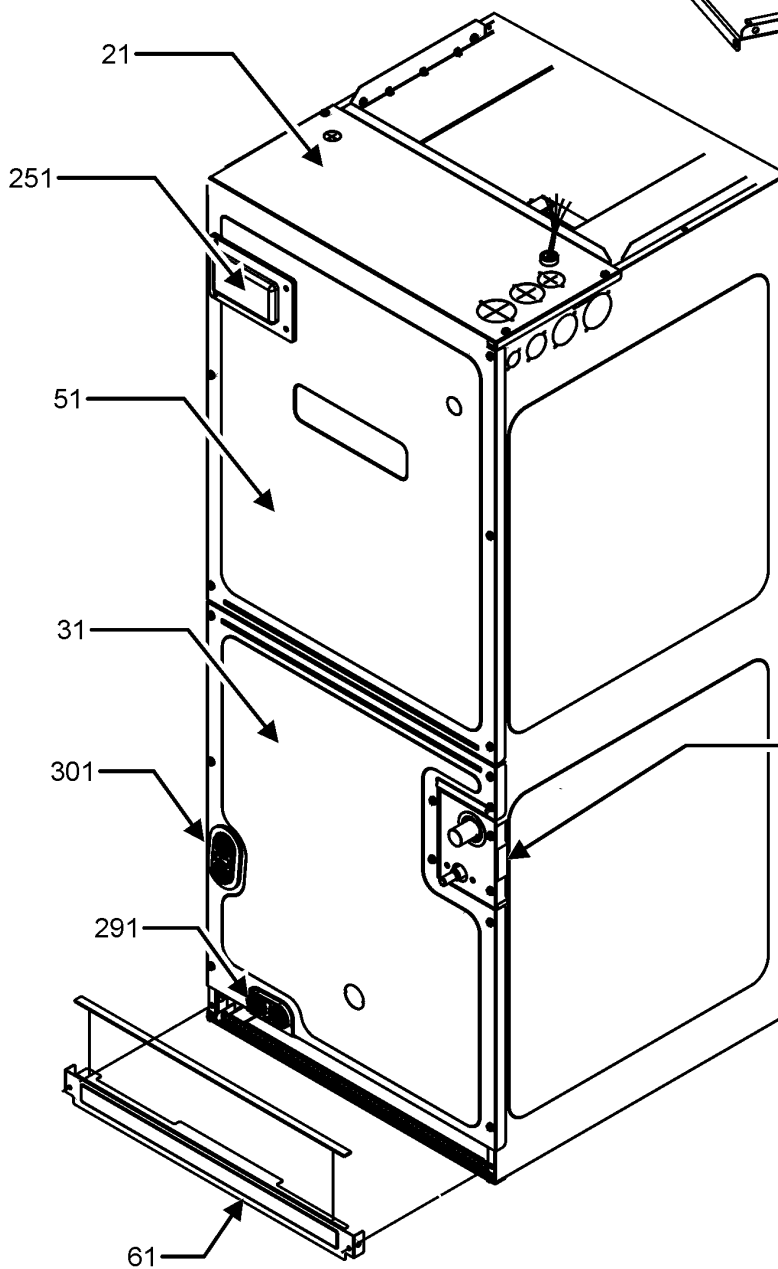
M1 - AMVT24BP1400AA
M2 - AMVT30BP1400AA
M3 - AMVT36BP1400AA
M4 - AMVT36CP1400AA
M5 - AMVT42CP1400AA
M6 - AMVT48CP1400AA
M7 - AMVT48DP1400AA
M8 - AMVT60DP1400AA

# Cabinet and Control Box Assembly

CONTROL PANEL ASSEMBLY

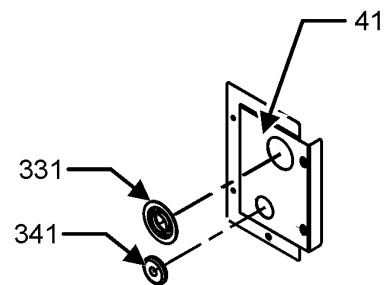


WRAPPER ASSEMBLY



CONTROL PANEL AND WRAPPER ASSEMBLY MAY DIFFER FROM WHAT IS SHOWN

SEE REFRIGERATION TUBING PANEL DETAIL



REFRIGERATION TUBING PANEL DETAIL

# Cabinet and Control Box Assembly

Ref. Part No:	Part No:	Description:	Ref. Part No:	Part No:	Description:
---------------	----------	--------------	---------------	----------	--------------

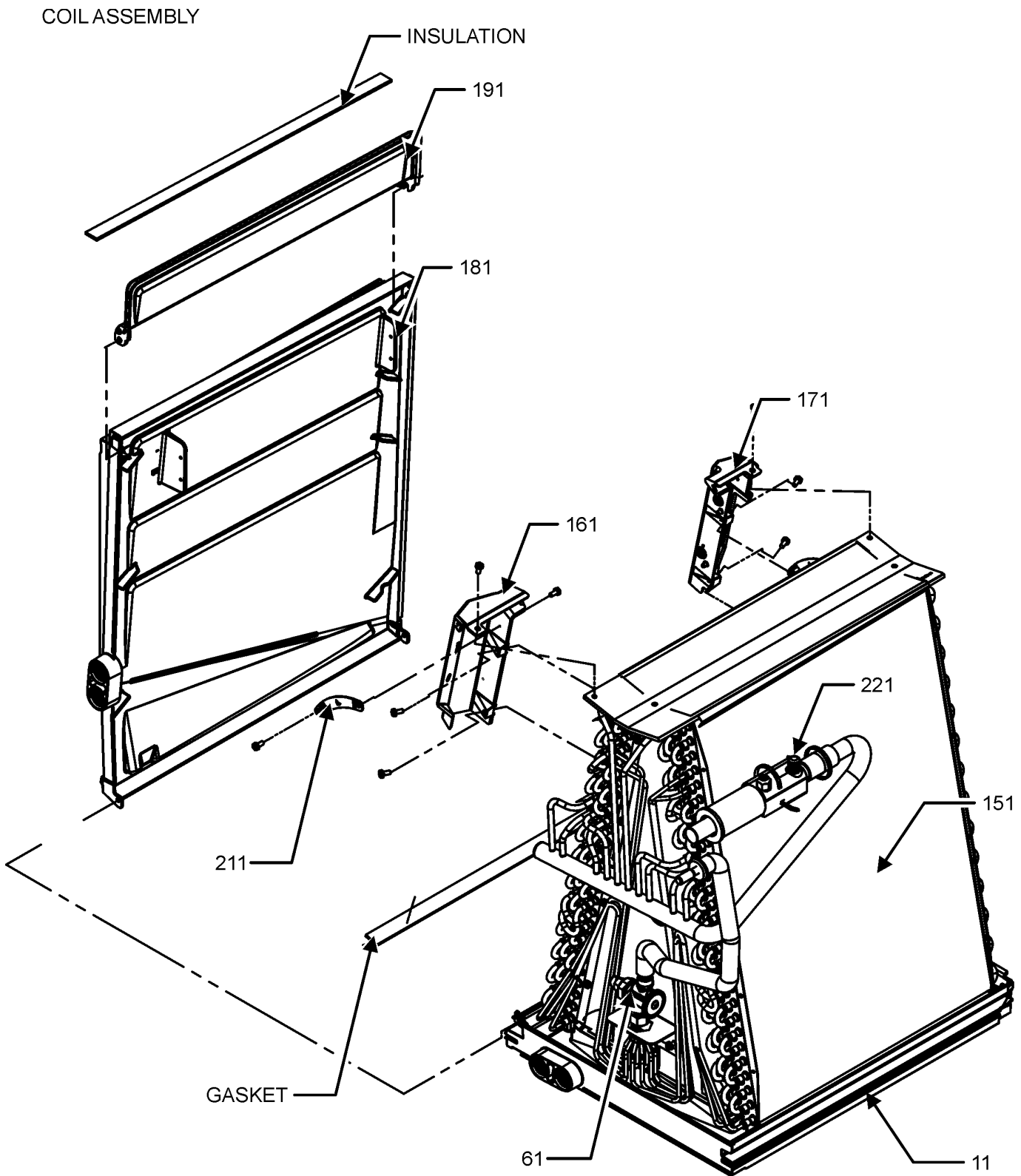
**Image 1:**

21	0121A01483PDG	PLATE, UPPER TIE, PAINTED (M1, M2, M3)
21	0121A01484PDG	PLATE, UPPER TIE, PAINTED (M4, M5, M6)
21	0121A01485PDG	PLATE, UPPER TIE, PAINTED (M7, M8)
31	0121A00460PDG	LOWER ACCESS PANEL (M7)
31	0121A00618PDG	LOWER ACCESS PANEL (M8)
31	0121A01470PDG	LOWER ACCESS PANEL, PAINTED (M1)
31	0121A01473PDG	LOWER ACCESS PANEL, PAINTED (M2, M3)
31	0121A01474PDG	LOWER ACCESS PANEL, PAINTED (M4)
31	0121A01477PDG	LOWER ACCESS PANEL, PAINTED (M5)
31	0121A01478PDG	LOWER ACCESS PANEL, PAINTED (M6)
41	0121A00658PDG	REFRIGERATION TUBING PANEL
51	0121A01714PDG	UPPER ACCESS PANEL, PAINTED (M1, M2, M3)
51	0121A01715PDG	UPPER ACCESS PANEL, PAINTED (M4)
51	0121A01716PDG	UPPER ACCESS PANEL, PAINTED (M5, M6)
51	0121A01717PDG	UPPER ACCESS PANEL, PAINTED (M7, M8)
61	0121A00242PDG	Panel, Filter Access, Ptd (M1, M2, M3)
61	0121A00243PDG	Panel, Filter Access, Ptd (M4, M5, M6)
61	0121A00244PDG	Panel, Filter Access, Ptd (M7, M8)
111	PCBJA106V009	PCB CONTROL, AIR HANDLER
121	0130M00138	TRANSFORMER, 208/230, 24V
251	0161A00073	CIRCUIT BREAKER COVER
291	0154A00006BL	Gasket, Drain Pan (M6, M7, M8)
291	0154D00037	GASKET, DRAIN PAN (M1, M2, M3, M4, M5)
301	0154A00007BL	Gasket, Drain Pan
331	B1392630	GROMMET (M2, M3, M4, M5, M6, M7, M8)
341	0164A00002	GROMMET
NS	0163A00026	THUMB SCREW (QTY 2)
NS	BT1392909	WASHER; SS RETAINING (QTY 2)
NS	0259A00021	WIRE ASSY, 9 PIN FEMALE CONN
NS	0259A00046	WIRE HARNESS
NS	0259M00008	WIRE HARNESS

**Expanded Model Nomenclature**

M1 - AMVT24BP1400AA
M2 - AMVT30BP1400AA
M3 - AMVT36BP1400AA
M4 - AMVT36CP1400AA
M5 - AMVT42CP1400AA
M6 - AMVT48CP1400AA
M7 - AMVT48DP1400AA
M8 - AMVT60DP1400AA

# Coil Assembly



COIL ASSEMBLY MAY DIFFER FROM WHAT IS SHOWN

# Coil Assembly

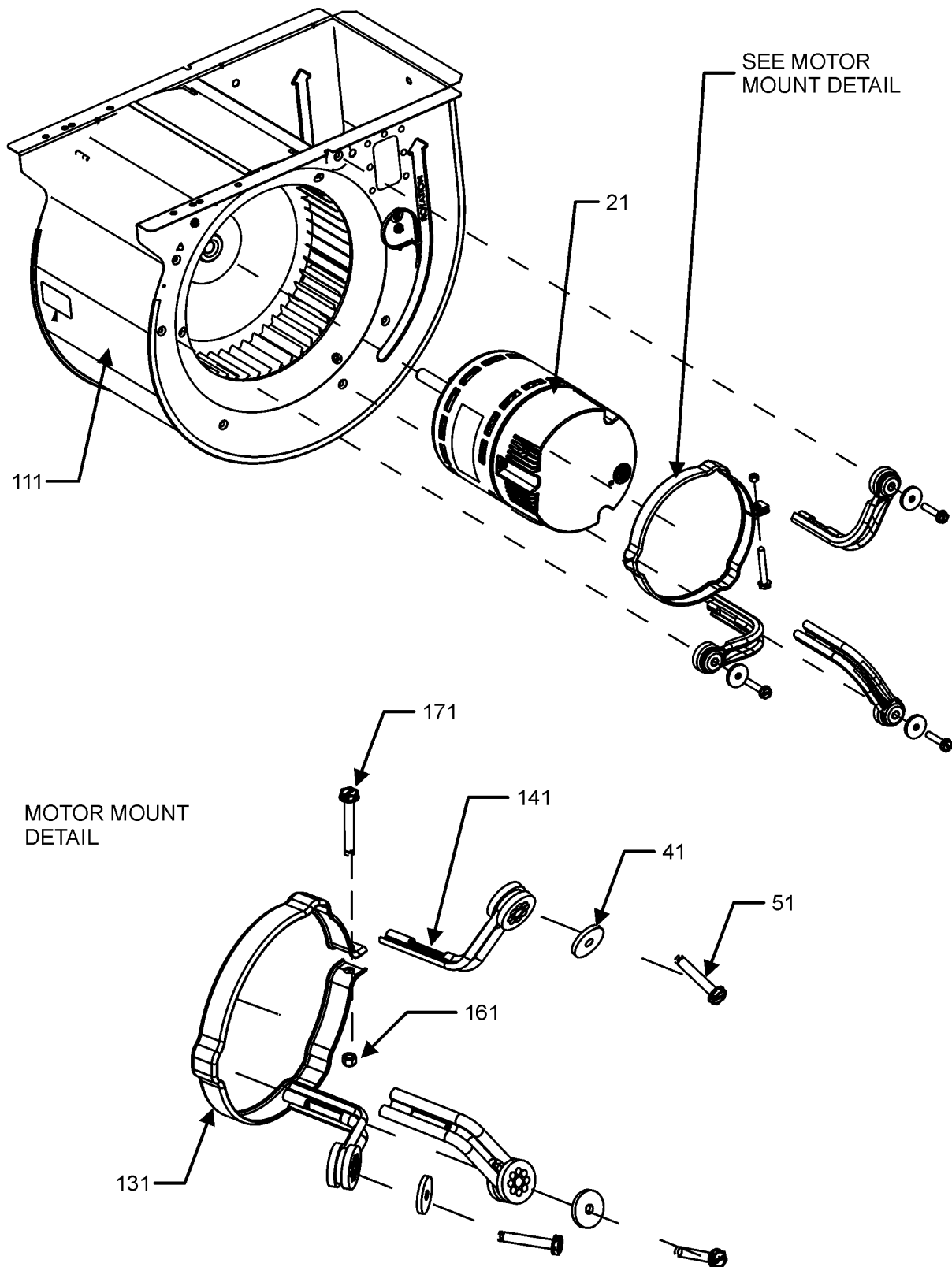
Ref. Part No:	Ref. Part No:	Description:	Description:
<b>Image 1:</b>			
11	0161A00122	DRAIN PAN MAIN, E COIL (M1, M2, M3)	
11	0161A00123	DRAIN PAN MAIN, E COIL (M4, M5)	
11	0161A00051	DRAINPAN, VERTICAL (M7, M8)	
11	0161A00052	DRAINPAN, VERTICAL (M6)	
61	0151R00209	TXV-FX-2T-ADJ VALVE (M1)	
61	0151R00210	TXV-FX-3T-ADJ VALVE (M2, M3, M4)	
61	0151R00235	TXV-FX-5T-ADJ VALVE SET 101.5 (M7, M8)	
61	0151R00234	TXV-FX-5T-ADJ VALVE SET105.1 (M6)	
61	0151R00233	TXV-FX-5T-ADJ VALVE SET107 (M5)	
151	0270A01671	TUBING ASSY, EVAP COIL (M6)	
151	0270A01676	TUBING ASSY, EVAP COIL (M1)	
151	0270A01677	TUBING ASSY, EVAP COIL (M4)	
151	0270A01678	TUBING ASSY, EVAP COIL (M2, M3)	
151	0270A01679	TUBING ASSY, EVAP COIL (M5)	
151	0270A01682	TUBING ASSY, EVAP COIL (M7)	
151	0270A01683	TUBING ASSY, EVAP COIL (M8)	
161	0161A00157	CONDENSATE COLLECTOR, FRONT (M1, M2, M3, M4, M5)	
161	0161A00060	CONDENSATE, COLLECT, FRONT (M6, M7, M8)	
171	0161A00158	CONDENSATE COLLECTOR, BACK (M1, M2, M3, M4, M5)	
171	0161A00061	CONDENSATE, COLLECT, BACK (M6, M7, M8)	
181	0161A00053	DRAIN PAN HORIZONTAL, TALL (M6, M7, M8)	
181	0161A00152	DRAIN PAN, SIDE (M1, M4)	
181	0161A00153	DRAIN PAN, SIDE (M2, M3, M5)	
191	0161A00155	DRAIN PAN EXT, E COIL (M2, M3, M5)	
191	0161A00156	DRAIN PAN EXT, E COIL (M4)	
191	0161A00054	DRAIN PAN, EXTENSION, SMALL (M7)	
191	0161A00056	DRAIN PAN, EXTENSION, TALL (M6, M8)	
211	0121A00633	Bracket, Drip Shield (M6)	
211	0121A00634	Bracket, Drip Shield (M7, M8)	
211	0121D00882	BRKT, 2"-C (M2, M3, M5)	
211	0121D00883	BRKT, 4"-C (M4)	
211	0121D00929	BRKT, C (M1)	
221	0163M00175	CAP WITH O-RING	
NS	BT1369063	90 DEGREE STUB	
NS	0151M00104	VALVE CORE	

## Expanded Model Nomenclature

M1 - AMVT24BP1400AA
M2 - AMVT30BP1400AA
M3 - AMVT36BP1400AA
M4 - AMVT36CP1400AA
M5 - AMVT42CP1400AA
M6 - AMVT48CP1400AA
M7 - AMVT48DP1400AA
M8 - AMVT60DP1400AA

# Blower Assembly

## BLOWER ASSEMBLY



BLOWER ASSEMBLY MAY DIFFER FROM WHAT IS SHOWN



# Blower Assembly

Ref. Part No:	Ref. Part No:	Description:	Description:
---------------	---------------	--------------	--------------

**Image 1:**

21	SHARED DATA	Available thru CoolCloud HVAC app
21	0131M01011	MOTOR, 1 HP (M7, M8)
21	0131M01002	MOTOR, 1/2 HP (M1, M2)
21	0131M01003	MOTOR, 3/4 HP (M3, M4, M5, M6)
41	B1392918	WASHER, FLAT 1/4 ID X 1 OD (QTY 3)
51	M0250565	SCREW-TC 1.25" (QTY 3)
111	0271A00206	BLOWER SHELL ASSY (M8)
111	0271A00497	BLOWER SHELL ASSY (M1, M2, M3)
111	0271A00498	BLOWER SHELL ASSY (M4, M5)
111	0271A00499	BLOWER SHELL ASSY (M6, M7)
131	0121M00039	MOTOR MOUNT BAND (HEAVY DUTY)
141	0163M00537	MOTOR MOUNT ARM (M1, M2, M3, M4, M5, M6, M7)
141	0163M00538	MOUNT ARM, MOTOR (M8)
161	B1393800	LOCKNUT, NYLON, INSERT 1/4,20
171	0163M00320	HEX HEAD ALL THREAD TAP BOLT
NS	0163M00003P	SCREW #10 X 1/2 A SLOT SR BLK

**Expanded Model Nomenclature**

- M1 - AMVT24BP1400AA
- M2 - AMVT30BP1400AA
- M3 - AMVT36BP1400AA
- M4 - AMVT36CP1400AA
- M5 - AMVT42CP1400AA
- M6 - AMVT48CP1400AA
- M7 - AMVT48DP1400AA
- M8 - AMVT60DP1400AA