

REPAIR PARTS

ACSF Horizontal Fan Coil

ACSF18MN1605AA
ACSF18MN1608AA
ACSF24LN1605AA
ACSF24LN1606AA
ACSF24LN1608AA
ACSF24LN1610AA
ACSF30LN1605AA
ACSF30LN1606AA
ACSF30LN1608AA
ACSF30LN1610AA



This manual is to be used by qualified technicians only.

© 2023 Goodman Manufacturing Company, L.P. ♦ 19001 Kermier Rd. ♦ Waller, TX 77484

Important Information

Index

| | |
|------------------------------|-------|
| Functional Parts List | 3 |
| Illustration and Parts | 4 - 9 |

Views shown are for parts illustrations only, not servicing procedures.

Text Codes:

AR - As Required

NA - Not Available

NS - Not Shown

00000000 - See Note

QTY - Quantity Example (QTY 3) (If Quantity not shown, Quantity = 1)

M - Model Example (M1) (If M Code not shown, then part is used on all Models)

Expanded Model Nomenclature:

| |
|---|
| Example M1 - Model#1 M2 - Model#2 M3 - Model#3 |
|---|

Goodman Manufacturing Company, L.P. is not responsible for personal injury or property damage resulting from improper service. Review all service information before beginning repairs.

Warranty service must be performed by an authorized technician, using authorized factory parts. If service is required after the warranty expires, Goodman Manufacturing Company, L.P. also recommends contacting an authorized technician and using authorized factory parts.

Goodman Manufacturing Company, L.P. reserves the right to discontinue, or change at any time, specifications or designs without notice or without incurring obligations.

For assistance within the U.S.A. contact:
Homeowner Support
Goodman Manufacturing Company, L.P.
19001 Kermier Road
Waller, Texas 77484
877-254-4729-Telephone
713-863-2382-Facsimile

For assistance outside the U.S.A. contact:
International Division
Goodman Manufacturing Company, L.P.
19001 Kermier Road
Waller, Texas 77484
713-861-2500-Telephone
713-863-2382-Facsimile

Functional Parts

Part

No: Description:

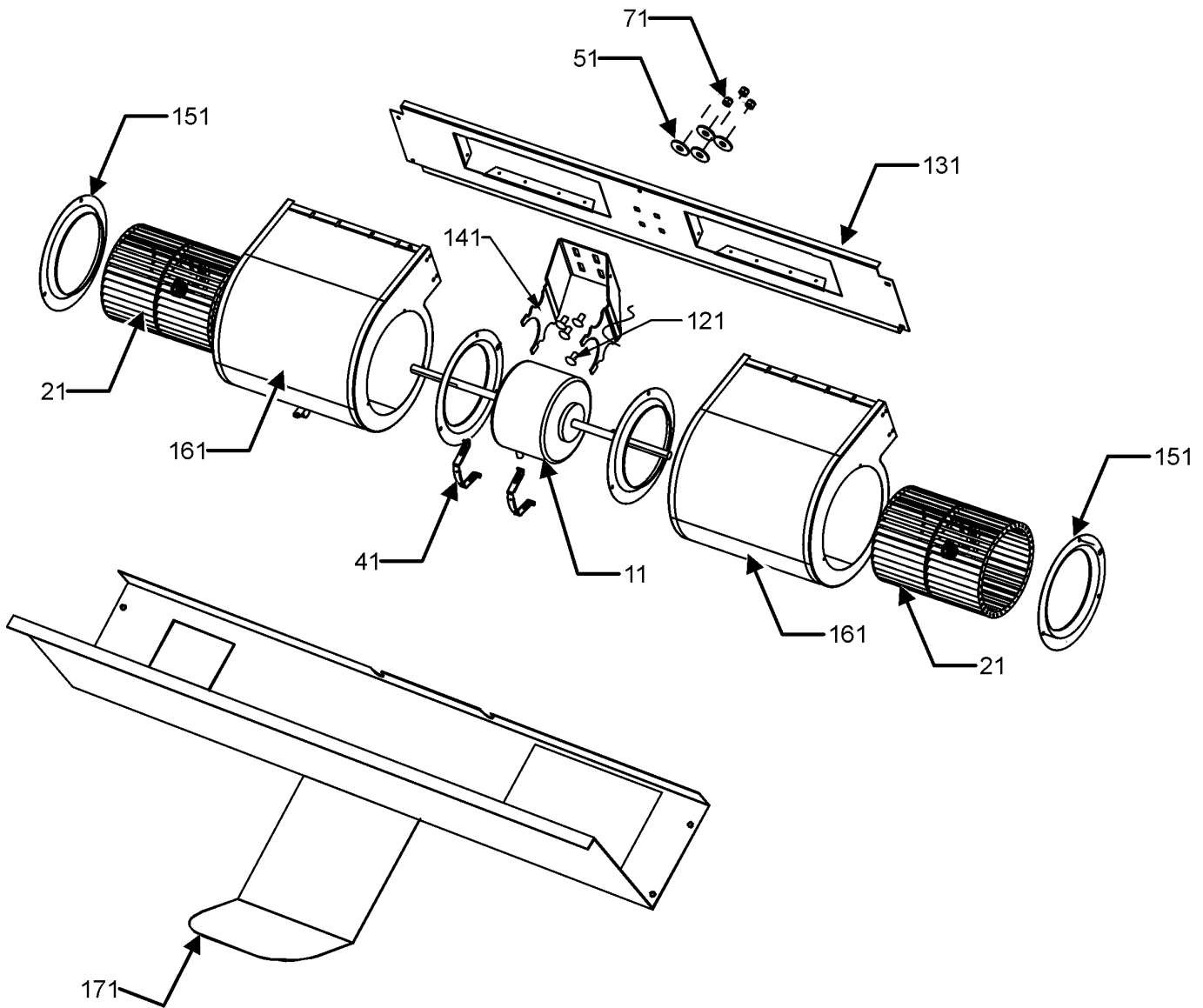
| | |
|---------------|---|
| 0131M01049 | ACSF18 BLDC CONTROLLER-1/4 HP (M1, M2) |
| 0131M01050 | ACSF24/30BLDCCONTROLLER-1/4HP (M3, M4, M5, M6, M7, M8, M9, M10) |
| 0131M00778 | BLDC MOTOR-1/4 HP |
| CONT2P040024V | CONTACTOR 40 AMP, 2P, 24V |
| 0175A00019 | HEATING ELEMENT, 10 KW (M6, M10) |
| 0175A00016 | HEATING ELEMENT, 5 KW (M1, M3, M7) |
| 0175A00017 | HEATING ELEMENT, 6 KW (M4, M8) |
| 0175A00018 | HEATING ELEMENT, 8 KW (M2, M5, M9) |
| 0130M00138 | TRANSFORMER 208/230, 24V |

Expanded Model Nomenclature

| |
|----------------------|
| M1 - ACSF18MN1605AA |
| M2 - ACSF18MN1608AA |
| M3 - ACSF24LN1605AA |
| M4 - ACSF24LN1606AA |
| M5 - ACSF24LN1608AA |
| M6 - ACSF24LN1610AA |
| M7 - ACSF30LN1605AA |
| M8 - ACSF30LN1606AA |
| M9 - ACSF30LN1608AA |
| M10 - ACSF30LN1610AA |

Blower Assembly

BLOWER ASSEMBLY



BLOWER ASSEMBLY MAY DIFFERE FROM WHAT IS SHOWN

Blower Assembly

| Ref. Part No: | No: | Description: | Ref. Part No: | No: | Description: |
|---------------|-----|--------------|---------------|-----|--------------|
|---------------|-----|--------------|---------------|-----|--------------|

Image 1:

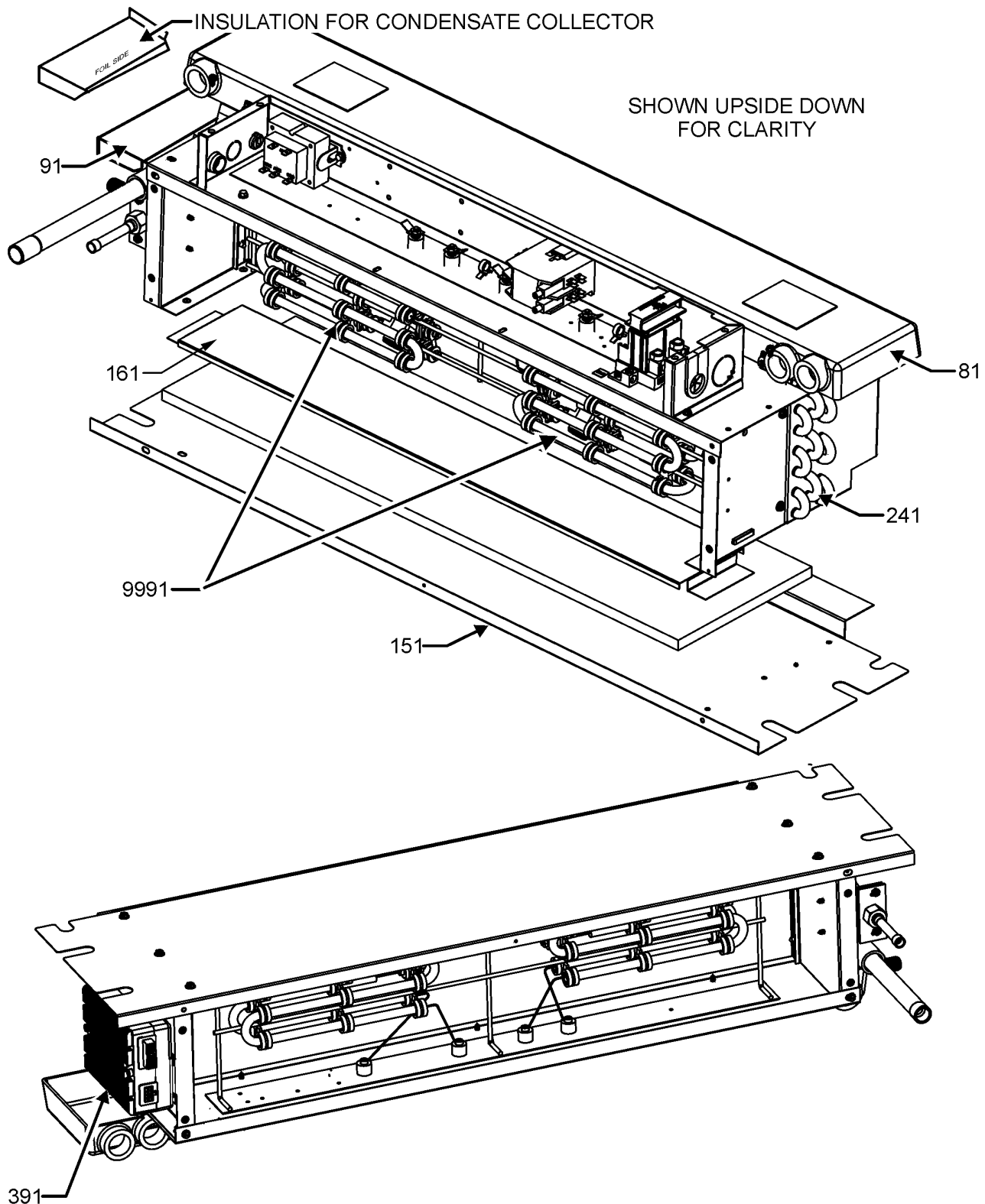
| | | |
|-----|------------|---|
| 11 | 0131M00778 | BLDC MOTOR-1/4 HP |
| 21 | 0150M00026 | Blower Wheel 6.30 X 8.06 (M1, M2) |
| 21 | 0150M00027 | Blower Wheel 6.70 X 8.06 (M3, M4, M5, M6, M7, M8, M9, M10) |
| 41 | BT1392500 | MOTOR MOUNT CLAMP (QTY 2) |
| 51 | B1392919 | WASHER, 3/8 FENDER (QTY 4) |
| 71 | B1393804 | NYLON LOCKNUT, .31-18 (QTY 4) |
| 121 | BT1393706 | CARRIAGE BOLT .31 - 18 X .625" (QTY 4) |
| 131 | 3614005 | BLOWER DECK 10.75", LARGE (M3, M4, M5, M6, M7, M8, M9, M10) |
| 131 | 3614003 | BLOWER DECK 10.750", MED (M1, M2) |
| 141 | 3616000 | MOTOR MOUNT BRACKET |
| 151 | 3642001 | VENTURI 0.5" (QTY 4) |
| 161 | 3660201 | BLOWER HOUSING (QTY 2) |
| 171 | 3617000 | MOTOR SHIELD |

Expanded Model Nomenclature

- | |
|----------------------|
| M1 - ACSF18MN1605AA |
| M2 - ACSF18MN1608AA |
| M3 - ACSF24LN1605AA |
| M4 - ACSF24LN1606AA |
| M5 - ACSF24LN1608AA |
| M6 - ACSF24LN1610AA |
| M7 - ACSF30LN1605AA |
| M8 - ACSF30LN1606AA |
| M9 - ACSF30LN1608AA |
| M10 - ACSF30LN1610AA |

CONTROL PANEL AND COIL ASSEMBLY

CONTROL PANEL AND COIL ASSEMBLY



CONTROL PANEL AND COIL ASSEMBLY MAY DIFFER FROM WHAT IS SHOWN

CONTROL PANEL AND COIL ASSEMBLY

| Ref. Part No: | Ref. Part No: | Description: | Description: |
|-----------------|---------------|---|--------------|
| Image 1: | | | |
| 81 | BT3076504DF | DRAINPAN, LARGE, FCA, ACHAC (M3, M4, M5, M6, M7, M8, M9, M10) | |
| 81 | BT3076503DF | DRAINPAN, MED, FCA, ACHAC (M1, M2) | |
| 91 | 0121A01585 | CONDENSATE COLLECTOR | |
| 151 | 3613001 | EVAP TOP PANEL (M1, M2) | |
| 151 | 3613002 | EVAP TOP PANEL (M3, M4, M5, M6, M7, M8, M9, M10) | |
| 161 | 3615001 | EVAP COIL BLOCK-OFF (M1, M2) | |
| 161 | 3615002 | EVAP COIL BLOCK-OFF (M3, M4, M5, M6, M7, M8, M9, M10) | |
| 241 | 0270A01761 | COIL TUBING ASSY (M1, M2) | |
| 241 | 0270A01770 | COIL TUBING ASSY (M3, M4, M5, M6, M7, M8, M9, M10) | |
| 391 | 0131M01049 | ACSF18 BLDC CONTROLLER-1/4 HP (M1, M2) | |
| 391 | 0131M01050 | ACSF24/30BLDCCONTROLLER-1/4HP (M3, M4, M5, M6, M7, M8, M9, M10) | |
| 9991 | 0175A00019 | HEATING ELEMENT, 10 KW (M6, M10) | |
| 9991 | 0175A00016 | HEATING ELEMENT, 5 KW (M1, M3, M7) | |
| 9991 | 0175A00017 | HEATING ELEMENT, 6 KW (M4, M8) | |
| 9991 | 0175A00018 | HEATING ELEMENT, 8 KW (M2, M5, M9) | |
| NS | 0163M00175 | CAP WITH O-RING | |
| NS | 3631001 | DRIP SHIELD, 2.5 TON (M1, M2) | |
| NS | 3631002 | DRIP SHIELD, 3 TON (M3, M4, M5, M6, M7, M8, M9, M10) | |
| NS | 3630005 | EVAP SUPPORT ASSY LRG (M3, M4, M5, M6, M7, M8, M9, M10) | |
| NS | 3630004 | EVAP SUPPORT ASSY MED (M1, M2) | |
| NS | 0151M00104 | VALVE CORE | |

Expanded Model Nomenclature

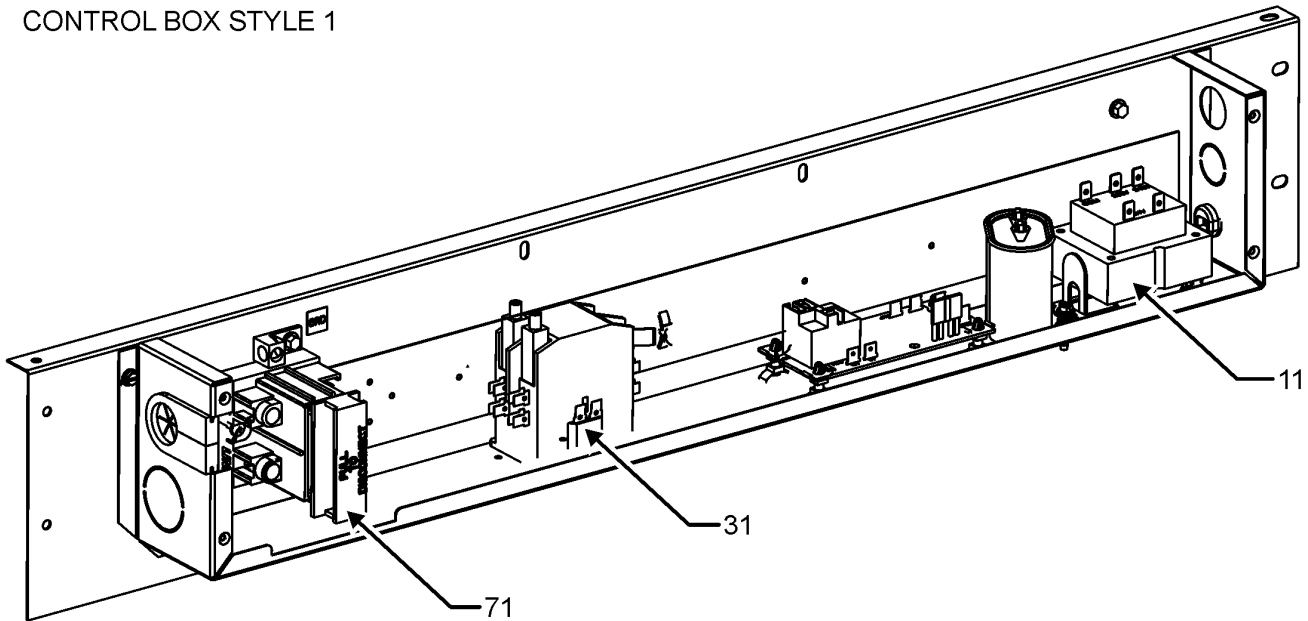
| |
|----------------------|
| M1 - ACSF18MN1605AA |
| M2 - ACSF18MN1608AA |
| M3 - ACSF24LN1605AA |
| M4 - ACSF24LN1606AA |
| M5 - ACSF24LN1608AA |
| M6 - ACSF24LN1610AA |
| M7 - ACSF30LN1605AA |
| M8 - ACSF30LN1606AA |
| M9 - ACSF30LN1608AA |
| M10 - ACSF30LN1610AA |

Control Box Assembly

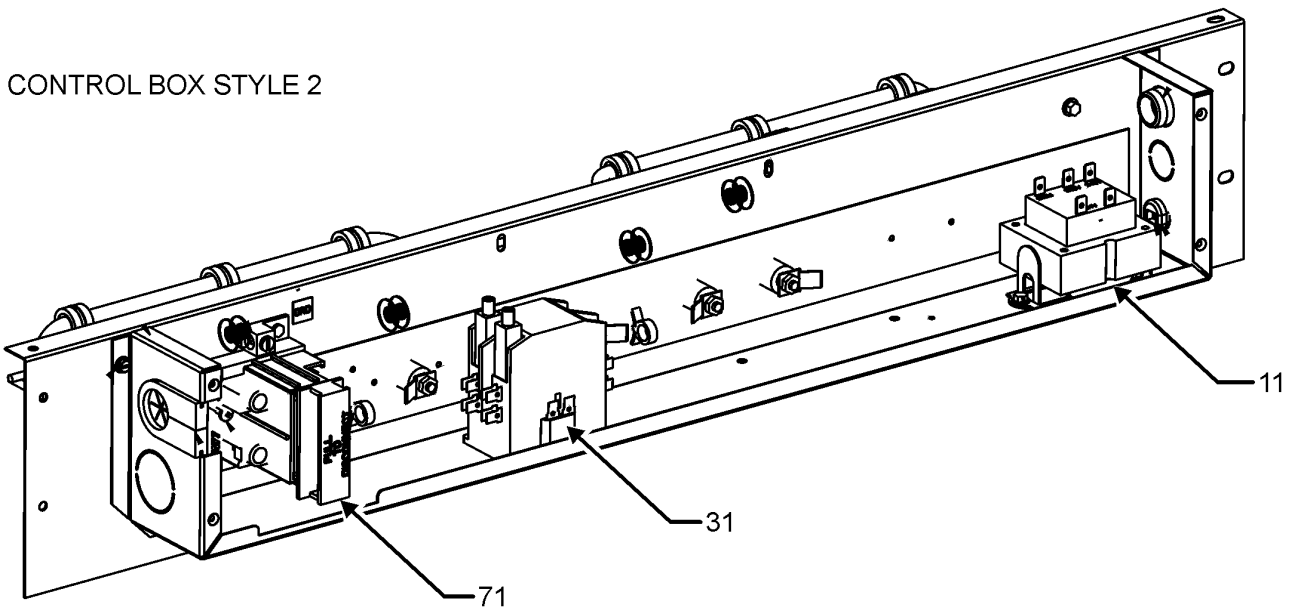
CONTROL BOX ASSEMBLY

SHOWN UPSIDE DOWN FOR CLARITY

CONTROL BOX STYLE 1



CONTROL BOX STYLE 2



CONTROL BOX ASSEMBLY MAY DIFFER FROM WHAT IS SHOWN

Control Box Assembly

| Ref. Part No: | No: | Description: | Ref. Part No: | No: | Description: |
|---------------|-----|--------------|---------------|-----|--------------|
|---------------|-----|--------------|---------------|-----|--------------|

Image 1:

| | | |
|----|---------------|------------------------------|
| 11 | 0130M00138 | TRANSFORMER 208/230, 24V |
| 31 | CONT2P040024V | CONTACTOR 40 AMP, 2P, 24V |
| 71 | 0130A00167 | DISCONNECT, PULLOUT |
| NS | 0159A00003 | DOUBLE CRIMPED WIRE HARNESS |
| NS | 0130M00488 | FUSE HOLDER |
| NS | 20477501 | GROMMET-HORSESHOE |
| NS | 0159A00003 | WIRE HARNESS |
| NS | 0130A00135 | X13 LOW VOLTAGE WIRE HARNESS |
| NS | 0230M00002 | X-13 POWER HARNESS |

Expanded Model Nomenclature

- M1 - ACSF18MN1605AA
- M2 - ACSF18MN1608AA
- M3 - ACSF24LN1605AA
- M4 - ACSF24LN1606AA
- M5 - ACSF24LN1608AA
- M6 - ACSF24LN1610AA
- M7 - ACSF30LN1605AA
- M8 - ACSF30LN1606AA
- M9 - ACSF30LN1608AA
- M10 - ACSF30LN1610AA