

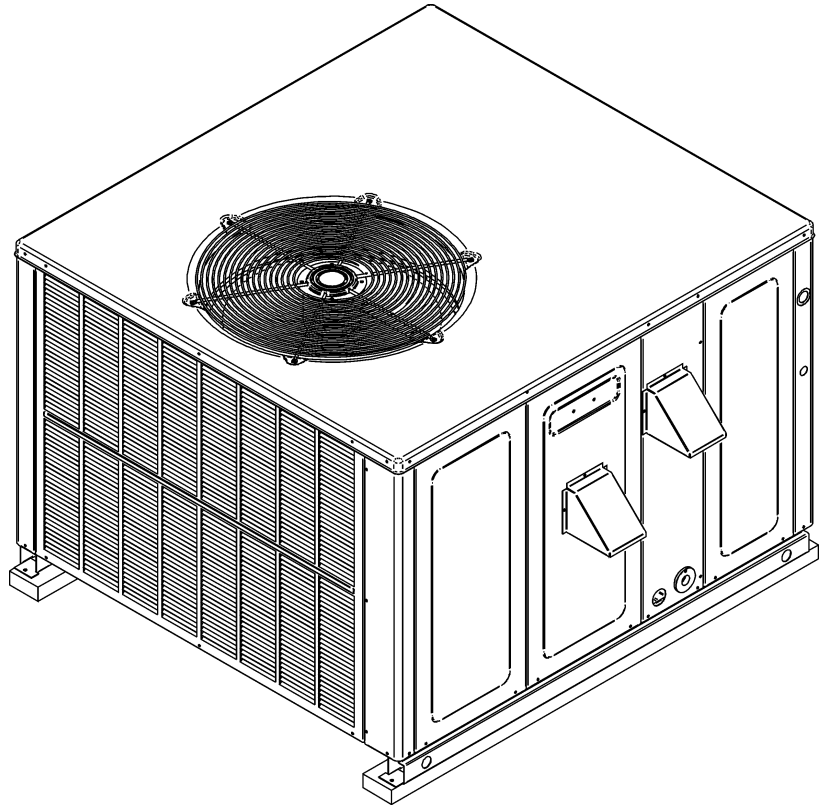
## DP14GM 3-Phase Multi-Position Light Commercial Package Gas Unit

DP14GM3608043AA

DP14GM4808043AA

DP14GM6108043AA

DP14GM6112043AA



This manual is to be used by qualified technicians only.

© 2016 **DAIKIN COMPANY, L.P.** ♦ 5151 San Felipe St., Suite 500 ♦ Houston, TX 77056

# Important Information

---

## Index

Functional Parts List .....	3
Illustration and Parts .....	4 - 13

*Views shown are for parts illustrations only, not servicing procedures*

### Text Codes:

AR - As Required

NA - Not Available

NS - Not Shown

00000000 - See Note

QTY - Quantity Example (QTY 3) (If Quantity not shown, Quantity = 1)

M - Model Example (M1) (If M Code not shown, then part is used on all Models)

### Expanded Model Nomenclature:

Example M1 - Model#1 M2 - Model#2 M3 - Model#3
---

Daikin Company, L.P. is not responsible for personal injury or property damage resulting from improper service. Review all service information before beginning repairs.

Warranty service must be performed by an authorized technician, using authorized factory parts. If service is required after the warranty expires, Daikin Company, L.P. also recommends contacting an authorized technician and using authorized factory parts.

Daikin Company, L.P. reserves the right to discontinue, or change at any time, specifications or designs without notice or without incurring obligations.

For assistance within the U.S.A. contact:

Homeowner Support  
Daikin North America, LLC  
19001 Kermier Road  
Waller, Texas 77484  
855-770-5678-Telephone  
713-863-2382-Facsimile

For assistance outside the U.S.A. contact:

International Division  
Daikin North America, LLC  
19001 Kermier Road  
Waller, Texas 77484  
713-861-2500-Telephone  
713-863-2382-Facsimile

# Functional Parts

## Part

## No: Description:

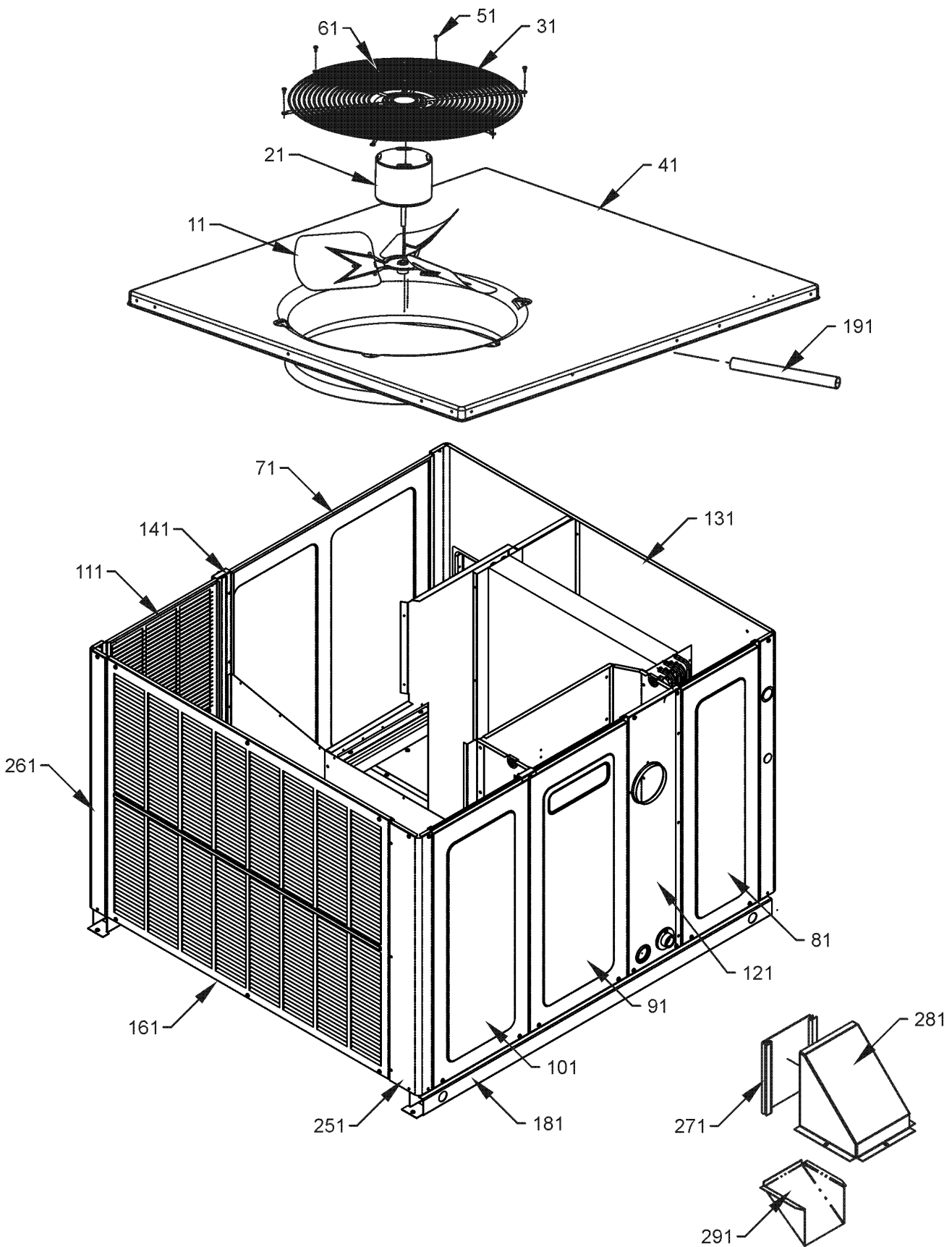
---

B1370751	24V RELAY (M1, M2)
0163F00017	BECKETT BURNER (QTY 4)
D6723303	BLOWER WHEEL (M1)
B1368000	BLOWER WHEEL 11 X 10 (M2, M3, M4)
CAP100000370LA	CAPACITOR 10/370V (M3, M4)
CAP050000370LA	CAPACITOR 5/370V (M1, M2)
ZPS49K5ETF5130	COMP, 49000/208/230/60/3 2 ST (M3, M4)
ZP29K5ETF5130	COMP.29000.208/230/60/3 (M1)
ZP39K5ETF5130	COMPRESSOR 39000, 200/230/60/3 (M2)
0131M00430	COND MOTOR 1/3 HP, 1 SP, 6 PL (M3, M4)
0131M00061	COND MOTOR 1/4 HP, 1 SP, 8 PL (M1)
0131M00429	COND MOTOR 1/4 HP, 1 SP,6 PL (M2)
CONT3P025024V	CONTACTOR 25 AMP, 3P, 24V (M1)
CONT3P030024V	CONTACTOR 30 AMP, 3P, 24V (M2)
CONT3P040024V	CONTACTOR 40 AMP, 3P, 24V (M3, M4)
0130M00074	CUT-OUT SWITCH, HIGH PRESSURE
0130M00087	CUT-OUT SWITCH, LOW PRESSURE (M3, M4)
0150G00002	FAN BLADE SWEPT-WING (M1)
0150G00003	FAN BLADE SWEPT-WING (M2, M3, M4)
0130F00010	FLAME SENSOR
0151F00000P	GAS VALVE - WHITE-RODGERS 2-STAGE (M3, M4)
B1282628	GAS VALVE (36G) (M1, M2)
0131G00000P	ID BLOWER (M1, M2)
0131G00001	ID BLOWER (M3, M4)
PCBAG123	IGNITION BOARD, DSI INTEGRATED (M1, M2)
PCBAG127	IGNITION BOARD, DSI, 2 STG (M3, M4)
0130F00014	IGNITOR
10728342	LIMIT SWITCH (M1)
10728343	LIMIT SWITCH (M3, M4)
10728344	LIMIT SWITCH (M2)
10123532	MANUAL RESET LIMIT 350°F (M1, M2)
10123529	MANUAL RESET LIMIT-GREEN (M3, M4)
11112501	PRESSURE SWITCH
0131G00012	PROGRAMMED MOTOR (M1)
0131G00054	PROGRAMMED MOTOR (M4)
0131G00015	PROGRAMMED MOTOR (M3)
0131G00014	PROGRAMMED MOTOR (M2)
0130M00138	TRANSFORMER 208/230, 24V
0151M00047	VALVE, NXT (M3, M4)

### Expanded Model Nomenclature

M1 - DP14GM3608043AA
M2 - DP14GM4808043AA
M3 - DP14GM6108043AA
M4 - DP14GM6112043AA

# Top Panel and Cabinet Assembly



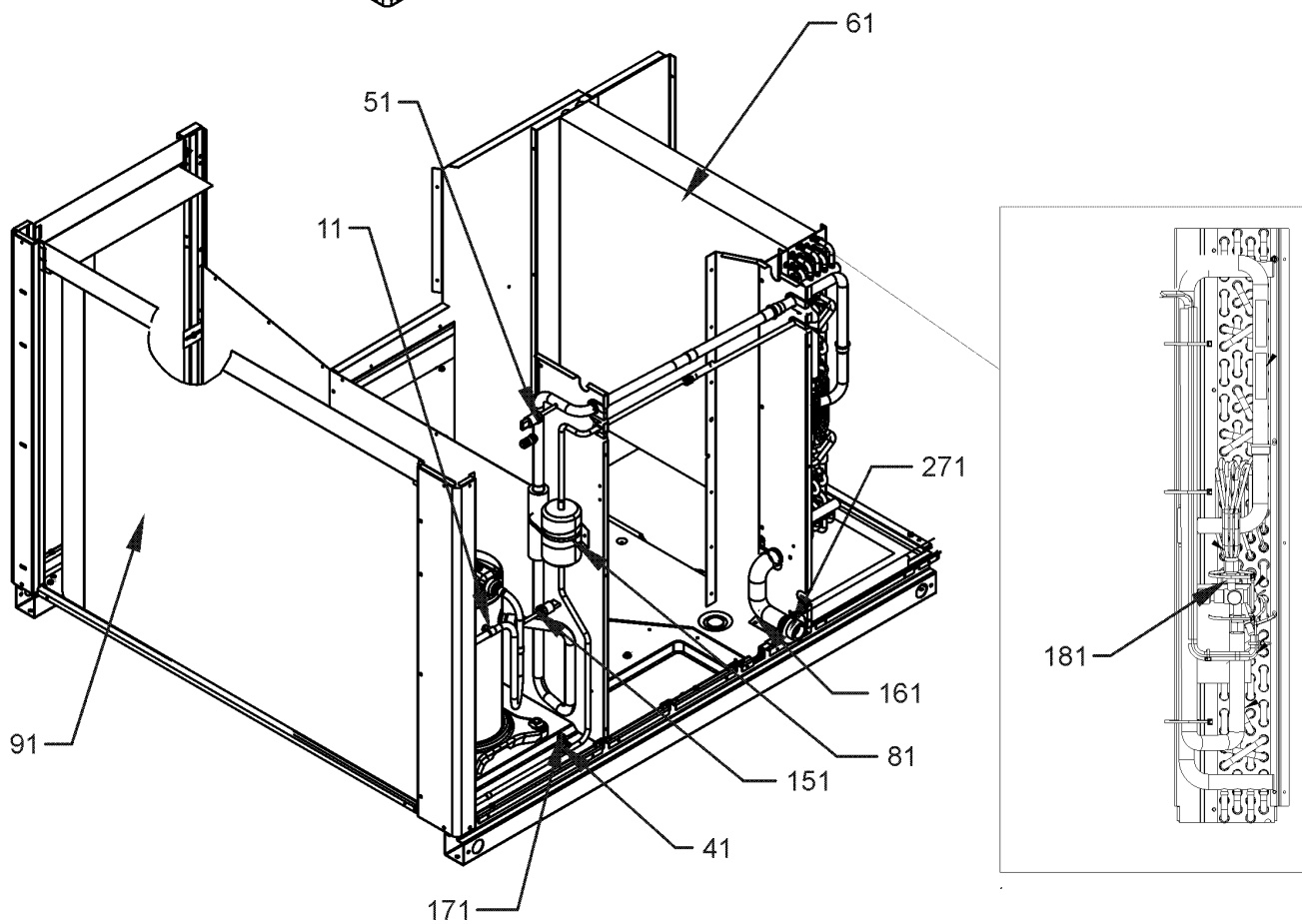
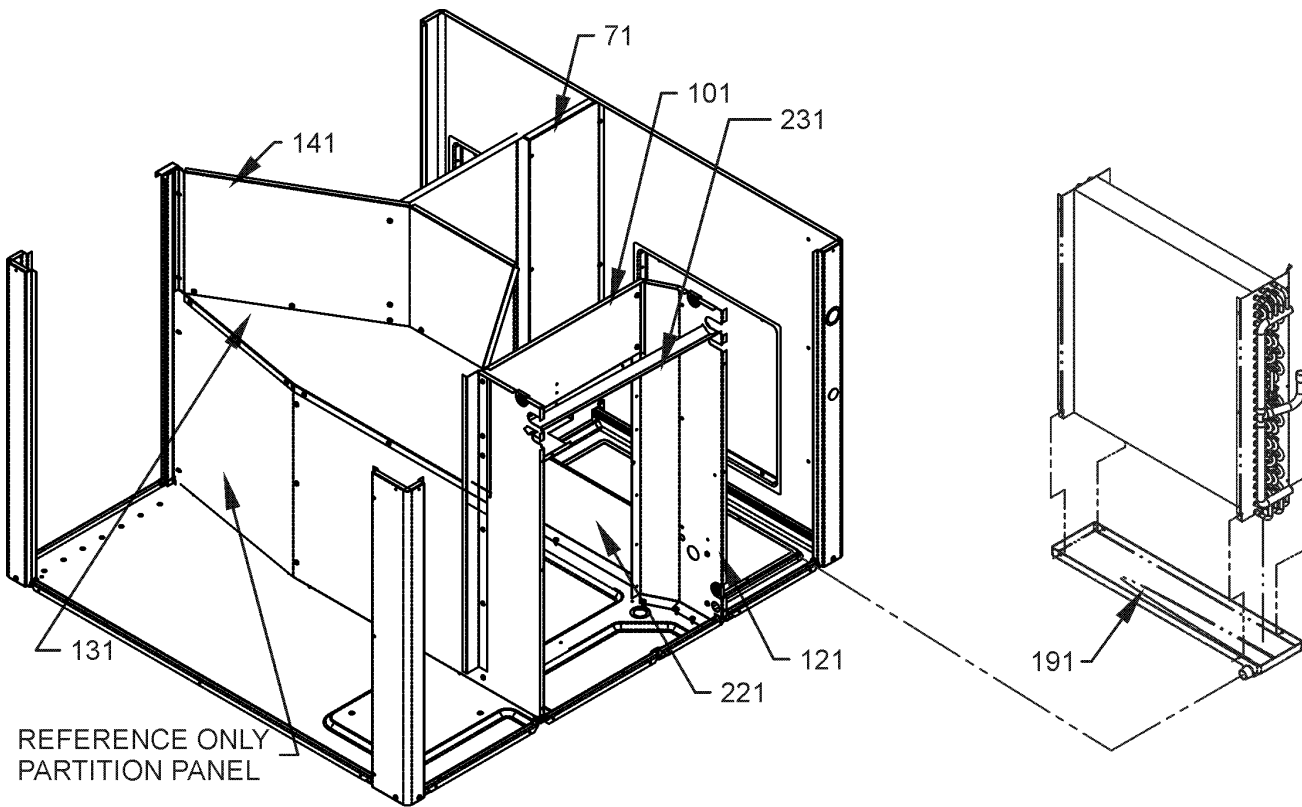
# Top Panel and Cabinet Assembly

Ref. Part No:	Ref. Part No:	Description:	Description:
<b>Image 1:</b>			
11	0150G00002	FAN BLADE SWEPT-WING (M1)	
11	0150G00003	FAN BLADE SWEPT-WING (M2, M3, M4)	
21	0131M00430	COND MOTOR 1/3 HP, 1 SP, 6 PL (M3, M4)	
21	0131M00061	COND MOTOR 1/4 HP, 1 SP, 8 PL (M1)	
21	0131M00429	COND MOTOR 1/4 HP, 1 SP, 6 PL (M2)	
31	0152G00003	FAN GRILLE	
41	0121G00156NG	TOP PANEL	
51	M0221817	SMALL SCREW (QTY 6)	
61	0163M00006P	ACORN NUT 5/16 HEX BLACK (QTY 4)	
71	20464801NG	BLOWER DOOR 32" (M1)	
71	20464806NG	BLOWER DOOR 40" (M2, M3, M4)	
81	20464802NG	EVAP/CONTROL DOOR-32 (M1)	
81	20464807NG	EVAP/CONTROL DOOR-40 (M2, M3, M4)	
91	0121G00526NG	HEAT EXCHANGER DOOR 32" (M1)	
91	0121G00527NG	HEAT EXCHANGER DOOR 40" (M2, M3, M4)	
101	20464804NG	COMPRESSOR DOOR-32 (M1)	
101	20464809NG	COMPRESSOR DOOR-38 (M2, M3, M4)	
111	0121G00465NG	COND SIDE PANEL- 32 (M1)	
111	20467702NG	COND SIDE PANEL-38 (M2, M3, M4)	
121	20466101NG	UTILITY PANEL 32" (M1)	
121	20466102NG	UTILITY PANEL 40" (M2, M3, M4)	
131	0121G00673NG	PNL, DUCT, GAS 32.5" (M1)	
131	0121G00674NG	PNL, DUCT, GAS 40" (M2, M3, M4)	
141	0121G00460	POST-SUPPORT, SIDE (M1)	
141	0121G00615	POST-SUPPORT, SIDE 40 (M2, M3, M4)	
161	20464401NG	LOUVERED PANEL, COND SIDE 32" (M1)	
161	20464402NG	LOUVERED PANEL, COND SIDE 40" (M2, M3, M4)	
181	0121G00290	BASE PAN RAIL (QTY 2)	
191	17788000083F	PVC CONDUIT 8.25"	
251	20464202NG	CORNER POST-COMP END 40" (M2)	
251	0121G00453NG	CORNER-POST COMP END, PNT (M1)	
251	0121G00455NG	CORNER-POST COMP END, PNT (M3, M4)	
261	0121G00454NG	CORNER-POST HPIN END, PNT (M1)	
261	0121G00456NG	CORNER-POST HPIN END, PNT (M2, M3, M4)	
271	20472601	SCREEN-FLUE HOOD	
281	0121G00323	FLUE HOOD (QTY 2)	
291	0121G00190	FLUE HOOD-LOWER	
NS	B1910012	GAS LINE GROMMET	

## Expanded Model Nomenclature

M1 - DP14GM3608043AA
M2 - DP14GM4808043AA
M3 - DP14GM6108043AA
M4 - DP14GM6112043AA

# Partition and Tubing Assembly



# Partition and Tubing Assembly

Ref. Part No:	Ref. Part No:	Description:	Description:
<b>Image 1:</b>			
11	ZPS49K5ETF5130	COMP, 49000/208/230/60/3 2 ST (M3, M4)	
11	ZP29K5ETF5130	COMP.29000.208/230/60/3 (M1)	
11	ZP39K5ETF5130	COMPRESSOR 39000, 200/230/60/3 (M2)	
41	B1373315	ACCESS FITTING (QTY 2)	
51	0130M00087	CUT-OUT SWITCH, LOW PRESSURE (M3, M4)	
61	0202G00538	EVAPORATOR COIL ASSY (M3, M4)	
61	0202G00567	EVAPORATOR COIL ASSY (M1)	
61	0202G00685	EVAPORATOR COIL ASSY (M2)	
71	20465302	BLOWER DIVIDER (M2, M3, M4)	
71	20465304	BLOWER DIVIDER 32" 10 X 9 (M1)	
81	B1219212	SINGLE-FLOW FILTER DRIER, STEEL (M1)	
81	B1219225	SINGLE-FLOW FILTER DRIER, STEEL (M2, M3, M4)	
91	0201G00139	COND COIL TUBING ASSY (M2)	
91	0201G00249	COND COIL TUBING ASSY (M1)	
91	0201G00369	COND COIL TUBING ASSY (M3, M4)	
101	20465201	FILLER PANEL, HEAT EXCHANGER 32" (M1)	
101	20465202	FILLER PANEL, HEAT EXCHANGER 40" (M2, M3, M4)	
121	20465501	EVAP/HEAT EXCHANGER DIVIDER 32" (M1)	
121	20465502	EVAP/HEAT EXCHANGER DIVIDER 38" (M2, M3, M4)	
131	20465701	FAN PARTITION SHELF	
141	20465801	FAN SURROUND 32" (M1)	
141	20465802	FAN SURROUND 40" (M2, M3, M4)	
151	0130M00074	CUT-OUT SWITCH, HIGH PRESSURE	
161	20498302	DRAIN TUBE 32" (M1)	
161	20498301	DRAIN TUBE 40" (M2, M3, M4)	
171	0163M00175	CAP WITH O-RING (QTY 2)	
181	0151M00047	VALVE, NXT (M3, M4)	
191	20464901DF	DRAIN PAN-EVAP COIL	
221	20463802	EVAP/BASEPAN BLOCK 32" (M1)	
221	20463801	EVAP/BASEPAN BLOCK 40" (M2, M3, M4)	
231	0121G00555	DRAIN CHANNEL, SUCTION TUBE	
271	20513001	EVAP DRAIN FITTING	
NS	B1339533	COMPRESSOR GROMMET (QTY 4)	
NS	0159G00001	COMPRESSOR SOLENOID CABLE (M3, M4)	
NS	0159G00007	HARNESS-COMP SCROLL	
NS	B1810011	HOSE CLAMP 1.25 (QTY 2)	
NS	M0221641	TF SHOULDER SCREW (QTY 4)	
NS	M0221641	TF SHOULDER SCREW (QTY 4)	

## Expanded Model Nomenclature

M1 - DP14GM3608043AA
M2 - DP14GM4808043AA
M3 - DP14GM6108043AA
M4 - DP14GM6112043AA

# Base Pan and Blower Assembly

IMAGE 1

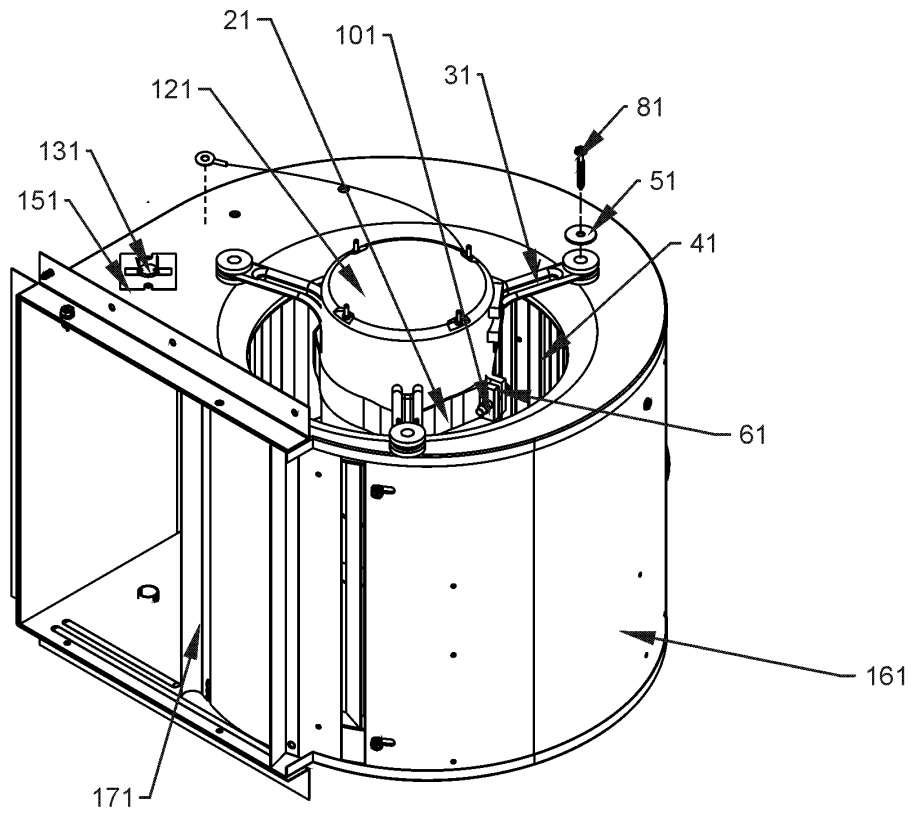
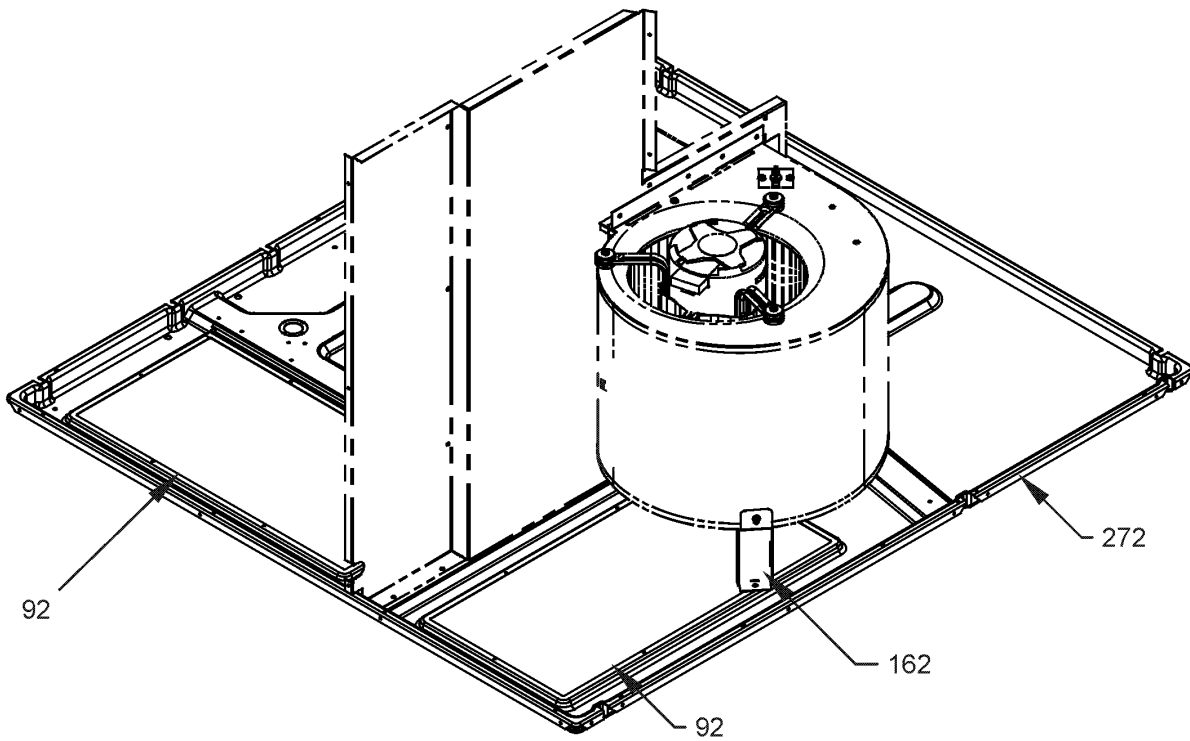


IMAGE 2





# Base Pan and Blower Assembly

Ref. Part No:	No:	Description:	Ref. Part No:	No:	Description:
<b>Image 1:</b>					
21	0121M00038	MOTOR MOUNT BAND			
31	B1376857	MOTOR MOUNT ARM (QTY 3)			
41	D6723303	BLOWER WHEEL (M1)			
41	B1368000	BLOWER WHEEL 11 X 10 (M2, M3, M4)			
51	B1392918	WASHER FLAT 1/4 ID X 1 OD (QTY 3)			
61	B1393323	MACHINE SCREW HWH 1/4-20 X 1-1/2 BZ			
81	M0250565	TC SCREW 1.25" (QTY 3)			
101	B1393800	LOCKNUT, NYLON, INSERT 1/4, 20			
121	0131G00012	PROGRAMMED MOTOR (M1)			
121	0131G00014	PROGRAMMED MOTOR (M2)			
121	0131G00015	PROGRAMMED MOTOR (M3)			
121	0131G00054	PROGRAMMED MOTOR (M4)			
131	20269903	AUXILIARY LIMIT, AUTO RESET			
151	2509503F	AUXILIARY LIMIT BRACKET			
151	2509503F	AUXILIARY LIMIT BRACKET			
161	0271G00024	BLOWER HOUSING ASSY 10 X 9 (M1)			
161	2539309	BLOWER HOUSING ASSY 11 X 10 (M2, M3, M4)			
171	764742	BLOWER BLOCK-OFF (M1)			
171	1864703F	BLOWER CUT-OFF (M2, M3, M4)			
NS	20463701	11 X 10 BLOWER MOUNTING (M2, M3, M4)			
NS	0259G00023	BLOWER HARNESS (M2)			
NS	0259G00209	BLOWER HARNESS (M1)			

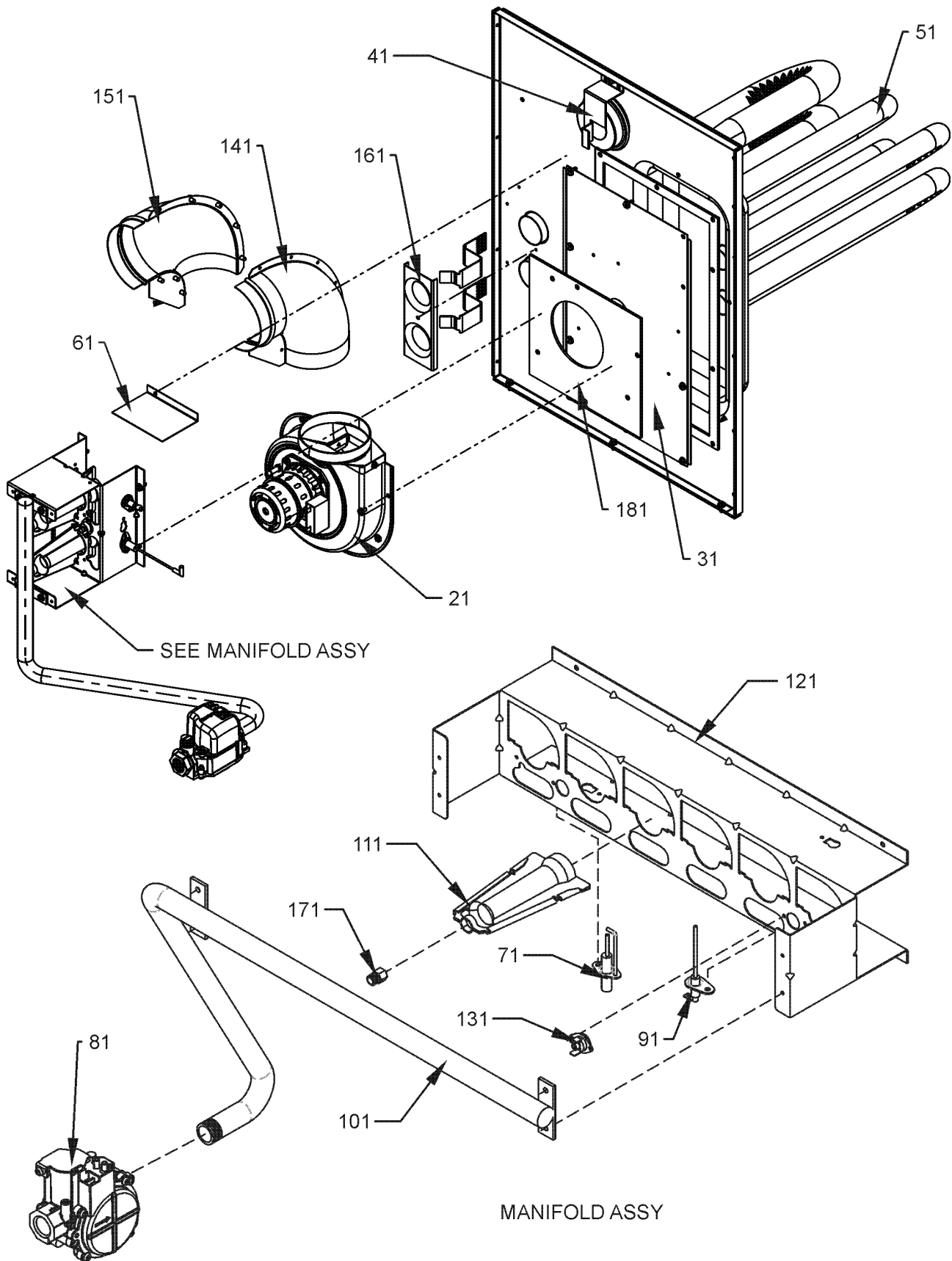
## Image 2:

92	0121G00148	SINGLE COVER, DOWN DISCHARGE (QTY 2)
162	4322801	11 X 10 BLOWER SUPPORT LRG (M2, M3, M4)
272	0121G00444	BASEPAN, PACKAGE

## Expanded Model Nomenclature

M1 - DP14GM3608043AA
M2 - DP14GM4808043AA
M3 - DP14GM6108043AA
M4 - DP14GM6112043AA

# Heat Exchanger Assembly



# Heat Exchanger Assembly

Ref. Part No: No:	Description:	Ref. Part No: No:	Description:
-------------------	--------------	-------------------	--------------

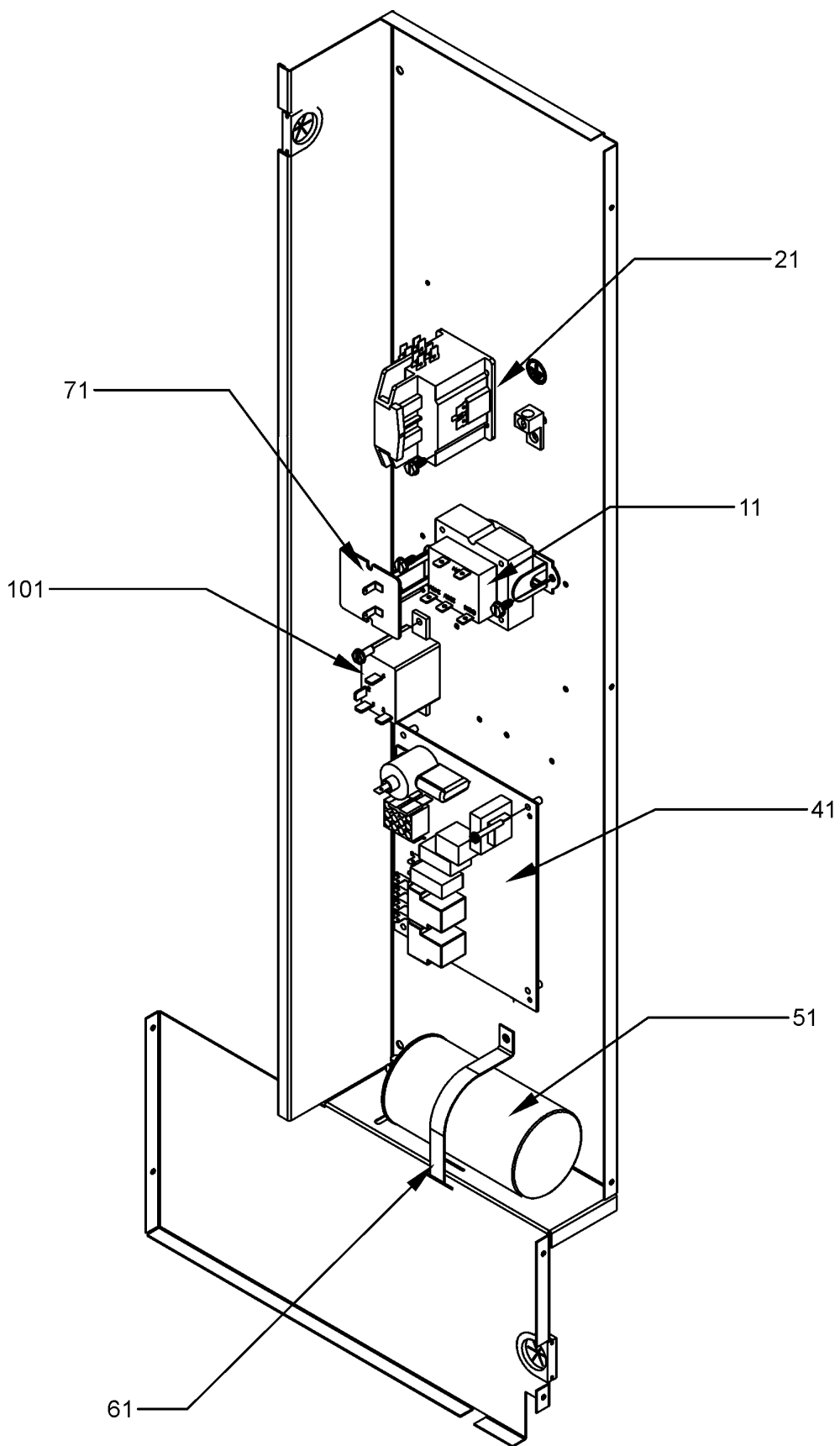
**Image 1:**

21	0131G00000P	ID BLOWER (M1, M2)
21	0131G00001	ID BLOWER (M3, M4)
31	0121G00584	PLATE-ID BLWR LRG BRNR (M2, M3)
31	0121G00604	PLATE-ID BLWR LRG BRNR (M4)
31	0121G00580	PLATE-ID BLWR LRG 4 BRNR (M1)
41	11112501	PRESSURE SWITCH
51	20490718	PART/TUBE ASSY (M4)
51	20490711	PART/TUBE ASSY 4B (M1)
51	20490712	PART/TUBE ASSY 4B (M2, M3)
61	11190202	HEAT DEFLECTOR
71	0130F00014	IGNITOR
81	0151F00000P	GAS VALVE - WHITE-RODGERS 2-STAGE (M3, M4)
81	B1282628	GAS VALVE (36G) (M1, M2)
91	0130F00010	FLAME SENSOR
101	20493104	MANIFOLD - 4 BRNR (M1)
101	20493105	MANIFOLD - 4 BRNR (M2, M3)
101	20493107	MANIFOLD - 6 BRNR (M4)
111	0163F00017	BECKETT BURNER (QTY 4)
121	20190412	BURNER BRACKET 4B (M1, M2, M3)
121	0121F00145	BURNER BRACKET 6B (M4)
131	10123532	MANUAL RESET LIMIT 350°F (M1, M2)
131	10123529	MANUAL RESET LIMIT-GREEN (M3, M4)
141	20484401	FLUE ELBOW LEFT
151	20484402	FLUE ELBOW RIGHT
161	11072203	ORIFICE SHIELD (M1, M2, M3)
161	11072205	ORIFICE SHIELD (M4)
171	10716005	ORIFICE (QTY 4)
181	20463001	ID BLOWER PLATE GASKET LRG (M2, M3, M4)
181	20462801	ID BLOWER PLATE GASKET SML (M1)

**Expanded Model Nomenclature**

M1 - DP14GM3608043AA
M2 - DP14GM4808043AA
M3 - DP14GM6108043AA
M4 - DP14GM6112043AA

# Control Panel Assembly



# Control Panel Assembly

Ref. Part No: No:	Description:	Ref. Part No: No:	Description:
-------------------	--------------	-------------------	--------------

**Image 1:**

11	0130M00138	TRANSFORMER 208/230, 24V
21	CONT3P025024V	CONTACTOR 25 AMP, 3P, 24V (M1)
21	CONT3P030024V	CONTACTOR 30 AMP, 3P, 24V (M2)
21	CONT3P040024V	CONTACTOR 40 AMP, 3P, 24V (M3, M4)
41	PCBAG123	IGNITION BOARD, DSI INTEGRATED (M1, M2)
41	PCBAG127	IGNITION BOARD, DSI, 2 STG (M3, M4)
51	CAP100000370LA	CAPACITOR 10/370V (M3, M4)
51	CAP050000370LA	CAPACITOR 5/370V (M1, M2)
61	20520901	CAPACITOR STRAP
71	10728342	LIMIT SWITCH (M1)
71	10728343	LIMIT SWITCH (M3, M4)
71	10728344	LIMIT SWITCH (M2)
101	B1370751	24V RELAY (M1, M2)
NS	0259G00214	ECONOMIZER HARNESS (M2)
NS	0259G00083	HARNESS-CONTROL, FAN (M2)
NS	0259G00117	HARNESS-CONTROL, FAN (M3, M4)
NS	0259G00113	PLUG ASSY, 12 PIN MALE (M2)
NS	0259G00192	WIRE HARNESS - 6 CIRCUIT (M3, M4)
NS	0259G00230	WIRE HARNESS-9 CIRCUIT (M3, M4)
NS	0259G00231	WIRE HARNESS-ECONOMIZER (M3, M4)
NS	0259G00238	WIRE HARNESS-ECONOMIZER (M1)

**Expanded Model Nomenclature**

M1 - DP14GM3608043AA
M2 - DP14GM4808043AA
M3 - DP14GM6108043AA
M4 - DP14GM6112043AA