

# REPAIR PARTS

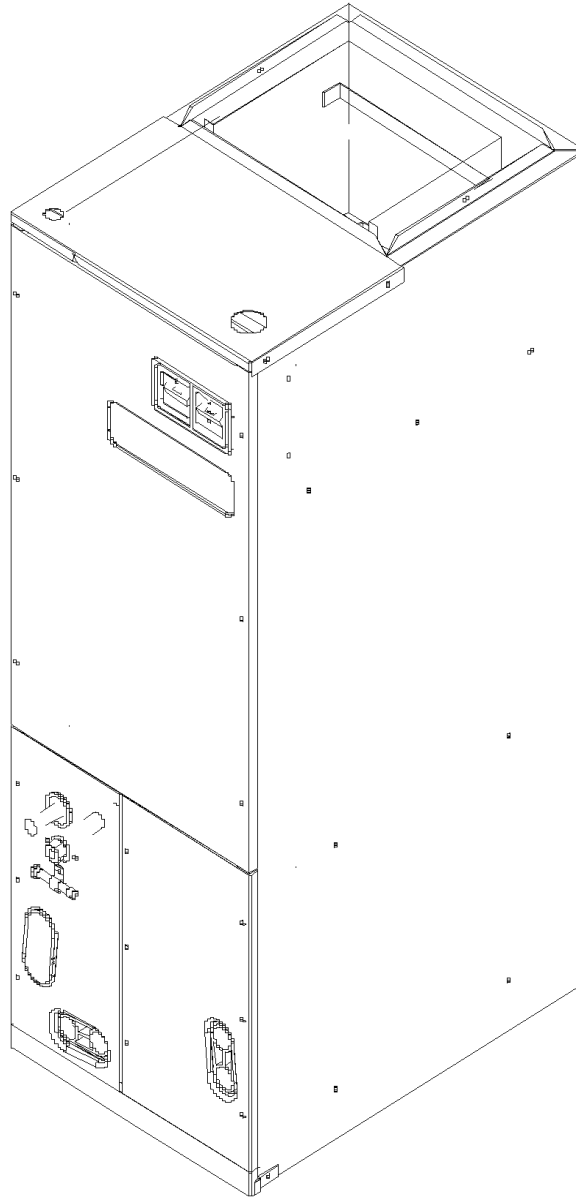
---

## AVPTC Air Handler

AVPTC183014AA

AVPTC313714AA

AVPTC426014AA



This manual is to be used by qualified technicians only.

© 2011,2013 Goodman Manufacturing Company, L.P. ♦ 5151 San Felipe, Suite 500 ♦ Houston, TX 77056

# Important Information

---

## Index

Functional Parts List .....	3
Illustration and Parts .....	4 - 5

*Views shown are for parts illustrations only, not servicing procedures.*

10-25-13: added end bell information

### Text Codes:

AR - As Required

NA - Not Available

NS - Not Shown

00000000 - See Note

QTY - Quantity Example (QTY 3) (If Quantity not shown, Quantity = 1)

M - Model Example (M1) (If M Code not shown, then part is used on all Models)

### Expanded Model Nomenclature:

Example M1 - Model#1 M2 - Model#2 M3 - Model#3
---

Goodman Manufacturing Company, L.P. is not responsible for personal injury or property damage resulting from improper service. Review all service information before beginning repairs.

Warranty service must be performed by an authorized technician, using authorized factory parts. If service is required after the warranty expires, Goodman Manufacturing Company, L.P. also recommends contacting an authorized technician and using authorized factory parts.

Goodman Manufacturing Company, L.P. reserves the right to discontinue, or change at any time, specifications or designs without notice or without incurring obligations.

For assistance within the U.S.A. contact:  
Consumer Affairs Department  
Goodman Manufacturing Company, L.P.  
7401 Security Way  
Houston, Texas 77040  
877-254-4729-Telephone  
713-863-2382-Facsimile

For assistance outside the U.S.A. contact:  
International Division  
Goodman Manufacturing Company, L.P.  
7401 Security Way  
Houston, Texas 77040  
713-861-2500-Telephone  
713-863-2382-Facsimile

# Functional Parts

## Part

## No: Description:

---

0131M00272	BLOWER MOTOR 1 HP SERIAL ECM (M3)
0131M00270	BLOWER MOTOR 1/2 HP, SERIAL ECM (M1)
0131M00271	BLOWER MOTOR 3/4 HP SERIAL ECM (M2)
0150M00036	BLOWER WHEEL 10 X 10 (M2, M3)
B1368037	BLOWER WHEEL 9 X 8 (M1)
0259A00009	MOTOR CONTROL HARNESS
PCBJA101	PCB, CONTROL, AIR HANDLER
0130M00138	TRANSFORMER, 208/230, 24V
0151R00036	VALVE, TXV R-410A (M2)
0151R00035	VALVE, TXV R-410A (M3)
0151R00019	VALVE, TXV R-410A (M1)
0259A00002P	WIRE ASSY, 9-PIN MALE CONNECTOR
0259A00011	WIRE HARNESS
B1378701	WIRE HARNESS, HIGH VOLTAGE (5-PIN ECM)

### Expanded Model Nomenclature

M1 - AVPTC183014AA

M2 - AVPTC313714AA

M3 - AVPTC426014AA

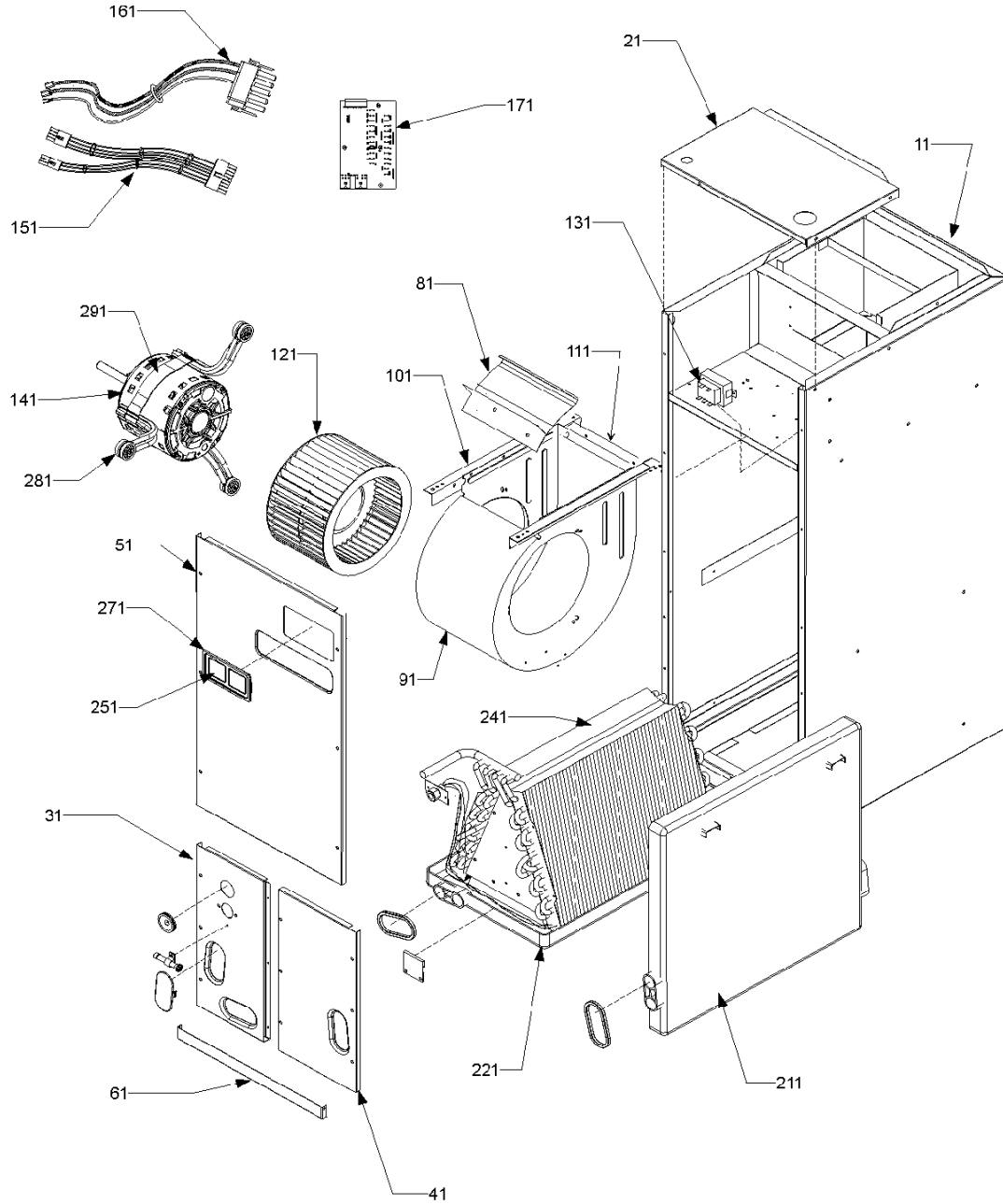
# Unit Assembly

\*If end bells are needed please order the following:

0131M00182 - 1/2 HP

0131M00183 - 3/4 HP

0131M00184 - 1 HP



# Unit Assembly

**Ref. Part  
No: No:**

**Description:**

**Ref. Part  
No: No:**

**Description:**

*Image 1:*

11	1721122PDG	WRAPPER (M1)
11	1721123PDG	WRAPPER (M2, M3)
21	0121A00114PDG	PAINTED UPPER TIE PLATE (M1)
21	0121A00115PDG	PAINTED UPPER TIE PLATE (M2, M3)
31	0121A00117PDG	LOWER ACCESS PNL, W/PAINT (M1)
31	0121A00118PDG	LOWER ACCESS PNL, W/PAINT (M2, M3)
41	1722080PDG	LOWER SERVICE PANEL (M1)
41	1722081PDG	LOWER SERVICE PANEL (M2, M3)
51	1722083PDG	UPPER ACCESS PANEL (M1)
51	1722084PDG	UPPER ACCESS PANEL (M2, M3)
61	1722087PDG	FILTER COVER LRG (M2, M3)
61	1722086PDG	FILTER COVER MED (M1)
81	764741F	BLOWER BLOCK-OFF 10 X 10 (M2, M3)
81	C6121810	BLOWER CUT-OFF (M1)
91	0271A00016	BLOWER HOUSING ASSY 10 X 10 (M2, M3)
91	1439392	BLOWER HOUSING ASSY 9 X 8 (M1)
101	0121A00027	BLOWER MOUNTING ANGLE (M1)
111	1717109	BLOWER MOUNTING ANGLE (M1)
121	0150M00036	BLOWER WHEEL 10 X 10 (M2, M3)
121	B1368037	BLOWER WHEEL 9 X 8 (M1)
131	0130M00138	TRANSFORMER, 208/230, 24V
141	0131M00272	BLOWER MOTOR 1 HP SERIAL ECM (M3)
141	0131M00270	BLOWER MOTOR 1/2 HP, SERIAL ECM (M1)
141	0131M00271	BLOWER MOTOR 3/4 HP SERIAL ECM (M2)
151	0259A00002P	WIRE ASSY, 9-PIN MALE CONNECTOR
161	0259A00009	MOTOR CONTROL HARNESS
171	PCBJA101	PCB, CONTROL, AIR HANDLER
211	B1756022L	PLASTIC DRAIN PAN (HORIZONTAL) (M1)
211	B1756028L	PLASTIC DRAIN PAN (HORIZONTAL) (M2, M3)
221	B1756017L	PLASTIC DRAIN PAN (VERTICAL) (M1)
221	B1756020L	PLASTIC DRAIN PAN (VERTICAL) (M2, M3)
241	0270A00491	Coil Tubing Assy (M1)
241	0270A00498	COIL TUBING ASSY (M2)
241	0270A00499	COIL TUBING ASSY (M3)
251	0161A00034	PLASTIC CIRCUIT BREAKER INSERT
271	B13926122	CIRCUIT BREAKER INSERT GASKET
281	B1376853	MOTOR MOUNT ARM (M2, M3)
281	B1376861	MOTOR MOUNT ARM (M1)
291	0121M00038	MOTOR MOUNT BAND
NS	BT1369063	90 DEGREE STUB
NS	1721921	BOTTOM BRACKET, LARGE (AR) (M2, M3)
NS	1721920	BOTTOM BRACKET, MEDIUM (AR) (M1)
NS	1721918	BOTTOM TIE LRG (M2, M3)
NS	1721917	BOTTOM TIE MED (M1)
NS	0163M00175	CAP WITH O-RING
NS	B1392640	PLASTIC DRAIN COVER (QTY 2)
NS	B1787000	VALVE CORE
NS	0151R00019	VALVE, TXV R-410A (M1)
NS	0151R00035	VALVE, TXV R-410A (M3)
NS	0151R00036	VALVE, TXV R-410A (M2)
NS	0259A00011	WIRE HARNESS
NS	B1378701	WIRE HARNESS, HIGH VOLTAGE (5-PIN ECM)

Expanded Model Nomenclature

M1 - AVPTC183014AA
M2 - AVPTC313714AA
M3 - AVPTC426014AA

\*If end bells are needed please order the following:

0131M00182 - 1/2 HP  
0131M00183 - 3/4 HP  
0131M00184 - 1 HP