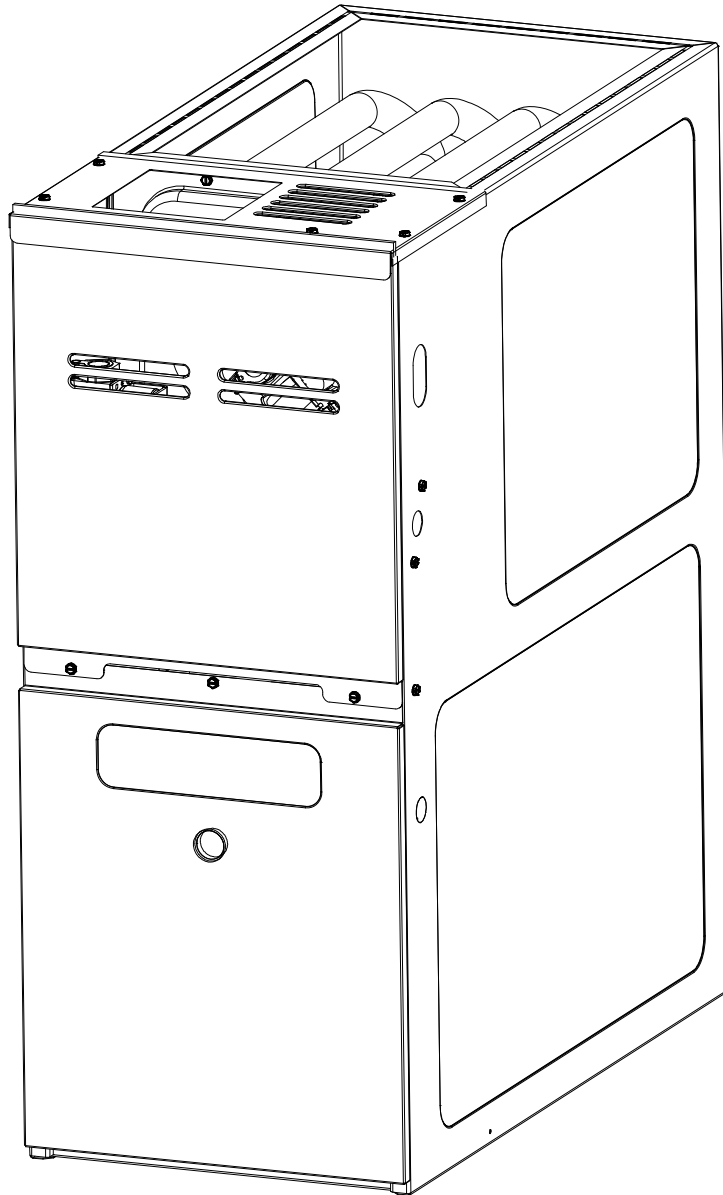


REPAIR PARTS

AMH8 Amana® Brand 80% Upflow Hybrid Furnace

AMH80403ANAA
AMH80403AXAA
AMH80603ANAA
AMH80603AXAA
AMH80604BNAA
AMH80604BXAA
AMH80803BNAA
AMH80803BXAA
AMH80804BNAA
AMH80804BXAA
AMH80805CNAA
AMH80805CXAA
AMH81005CNAA
AMH81005CXAA
AMH81205DNAA
AMH81205DXAA



This manual is to be used by qualified technicians only.

© 2009 Goodman Manufacturing Company, L.P. ♦ 5151 San Felipe, Suite 500 ♦ Houston, TX 77056

Important Information

Index

Functional Parts List	3
Illustration and Parts	4 - 11

Views shown are for parts illustrations only, not servicing procedures

Text Codes:

AR - As Required

NA - Not Available

NS - Not Shown

00000000 - See Note

QTY - Quantity Example (QTY 3) (If Quantity not shown, Quantity = 1)

M - Model Example (M1) (If M Code not shown, then part is used on all Models)

Expanded Model Nomenclature:

Example M1 - Model#1 M2 - Model#2 M3 - Model#3

Goodman Manufacturing Company, L.P. is not responsible for personal injury or property damage resulting from improper service. Review all service information before beginning repairs.

Warranty service must be performed by an authorized technician, using authorized factory parts. If service is required after the warranty expires, Goodman Manufacturing Company, L.P. also recommends contacting an authorized technician and using authorized factory parts.

Goodman Manufacturing Company, L.P. reserves the right to discontinue, or change at any time, specifications or designs without notice or without incurring obligations.

For assistance within the U.S.A. contact:
Consumer Affairs Department
Goodman Manufacturing Company, L.P.
7401 Security Way
Houston, Texas 77040
877-254-4729-Telephone
713-863-2382-Facsimile

For assistance outside the U.S.A. contact:
International Division
Goodman Manufacturing Company, L.P.
7401 Security Way
Houston, Texas 77040
713-861-2500-Telephone
713-863-2382-Facsimile

Functional Parts

Part

No: Description:

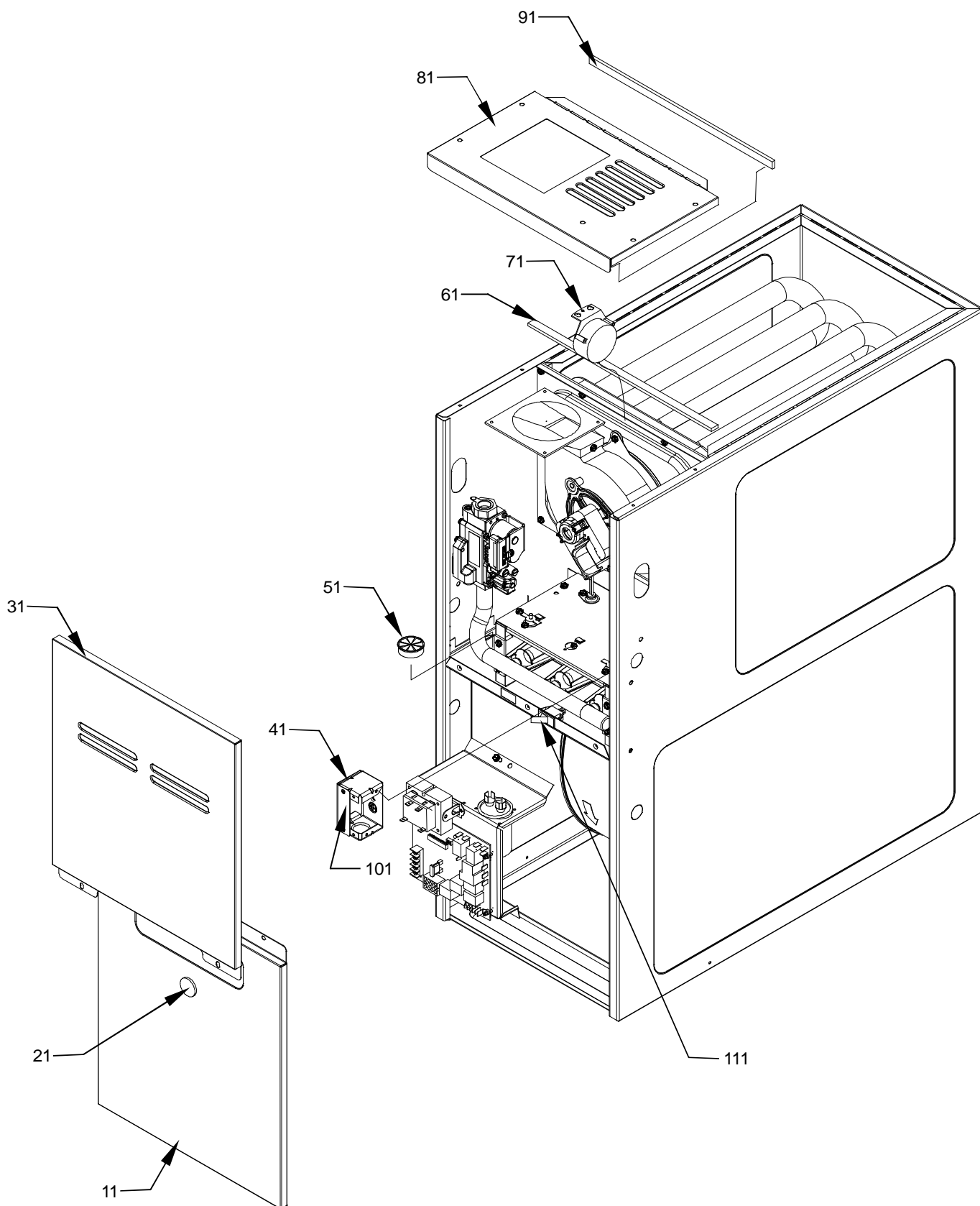
Expanded Model Nomenclature

0131F00022	BLOWER MOTOR 1/2 HP, 4 SP, 6 PL (M5, M6, M9, M10, M11, M12, M13, M14)	M1 - AMH80403ANAA
20046618	BLOWER MOTOR 3/4 HP (M15, M16)	M2 - AMH80403AXAA
CAP125000370RP	CAPACITOR 12.5/370V (M1, M2, M3, M4, M7, M8)	M3 - AMH80603ANAA
CAP200000440RP	CAPACITOR 20/370V (M5, M6, M9, M10, M11, M12, M13, M14)	M4 - AMH80603AXAA
CAP250000370RP	CAPACITOR 25/370V (M15, M16)	M5 - AMH80604BNAA
0130F00010	FLAME SENSOR	M6 - AMH80604BXAA
B1370818	INTERLOCK SWITCH	M7 - AMH80803BNAA
10123529	MANUAL RESET LIMIT (QTY 2)	M8 - AMH80803BXAA
0131F00020	MOTOR, 1/3 HP, 4SP, 6PL (M7, M8)	M9 - AMH80804BNAA
PCBBF132	PCB 2STAGE HYBRID FURNACE CNT	M10 - AMH80804BXAA
0130F00041	PRESSURE SWITCH (M13, M14)	M11 - AMH80805CNAA
0130F00042	PRESSURE SWITCH (M15, M16)	M12 - AMH80805CXAA
20162903	PRIMARY LIMIT - BLUE (M9, M10, M15, M16)	M13 - AMH81005CNAA
0130F00038	PRIMARY LIMIT - LT BLUE 120°	M14 - AMH81005CXAA
0130F00036	PRIMARY LIMIT - PINK (M13, M14)	M15 - AMH81205DNAA
0130F00035	PRIMARY LIMIT - PURPLE 220° (M1, M2)	M16 - AMH81205DXAA
20162906	PRIMARY LIMIT - WHITE (M3, M4, M5, M6, M7, M8, M11, M12)	
0130F00008S	SINI IGNITOR	
B1141605	TRANSFORMER 120V TO 24V, 40 VA	
0151M00014	VALVE, GAS (HW) VR92	
0131M00002	VENT MOTOR	

SPECIAL PARTS

HI-115B	HOMEOWNERS INSTRUCTIONS
IO-669	INSTALL-HUMIDIFIER
IO-417	INSTR, INSTL & OPER
IO-303	INSTRUCTION, INST(FRENCH) (QTY 0)

Cabinet



Cabinet

Ref. Part No:	No:	Description:	Ref. Part No:	No:	Description:
<i>Image 1:</i>			Expanded Model Nomenclature		
21	0121F00122LG	DOOR, BLOWER, 14" (M1, M2, M3, M4)	M1 - AMH80403ANAA		
21	0121F00123LG	DOOR, BLOWER, 17.5" (M5, M6, M7, M8, M9, M10)	M2 - AMH80403AXAA		
21	0121F00124LG	DOOR, BLOWER, 21" (M11, M12, M13, M14)	M3 - AMH80603ANAA		
21	0121F00125LG	DOOR, BLOWER, 24.5" (M15, M16)	M4 - AMH80603AXAA		
21	0121F00263	TOP 24.5" (M15, M16)	M5 - AMH80604BNAA		
21	B1392139	VIEW PORT BUSHING-BLOWER DOOR	M6 - AMH80604BXAA		
31	0121F00118LG	CONTROL ACCESS DOOR 14" (M1, M2, M3, M4)	M7 - AMH80803BNAA		
31	0121F00119LG	CONTROL ACCESS DOOR 17.5" (M5, M6, M7, M8, M9, M10)	M8 - AMH80803BXAA		
31	0121F00120LG	CONTROL ACCESS DOOR 21" (M11, M12, M13, M14)	M9 - AMH80804BNAA		
31	0121F00121LG	CONTROL ACCESS DOOR 24.5 (M15, M16)	M10 - AMH80804BXAA		
41	4014502	J-BOX	M11 - AMH80805CNAA		
51	B1392147	UNIVERSAL BUSHING WITH SLICE	M12 - AMH80805CXAA		
61	B13926111	SEAL STRIP, 1/8 X 1/2 X 14 (M1, M2, M3, M4)	M13 - AMH81005CNAA		
61	B13926112	SEAL STRIP, 1/8 X 1/2 X 17.5 (M5, M6, M7, M8, M9, M10)	M14 - AMH81005CXAA		
61	B13926113	SEAL STRIP, 1/8 X 1/2 X 21 (M11, M12, M13, M14)	M15 - AMH81205DNAA		
61	B13926114	SEAL STRIP, 1/8 X 1/2 X 24.5 (M15, M16)	M16 - AMH81205DXAA		
71	0130F00041	PRESSURE SWITCH (M13, M14)			
71	0130F00042	PRESSURE SWITCH (M15, M16)			
71	B1370179	PRESSURE SWITCH (M5, M6, M7, M8, M9, M10, M11, M12)			
71	B1370158	PRESSURE SWITCH -0.70" WC (M1, M2, M3, M4)			
81	0121F00263PDG	FURNACE 24.5" TOP (M15, M16)			
81	0121F00141DG	TOP 14" (M1, M2, M3, M4)			
81	0121F00142DG	TOP 17.5" (M5, M6, M7, M8, M9, M10)			
81	0121F00143DG	TOP 21" (M11, M12, M13, M14)			
111	B1370818	INTERLOCK SWITCH			
NS	0161F00006	AMANA NAMEPLATE			
NS	0270K00015	SOLID BOTTOM 14" CASE (M1, M2, M3, M4)			
NS	0270K00016	SOLID BOTTOM 17.5" CASE (M5, M6, M7, M8, M9, M10)			
NS	0270K00017	SOLID BOTTOM 21" CASE (M11, M12, M13, M14)			
NS	0270K00018	SOLID BOTTOM 24.5" CASE (M15, M16)			

Heat Exchanger Assy

Image 1

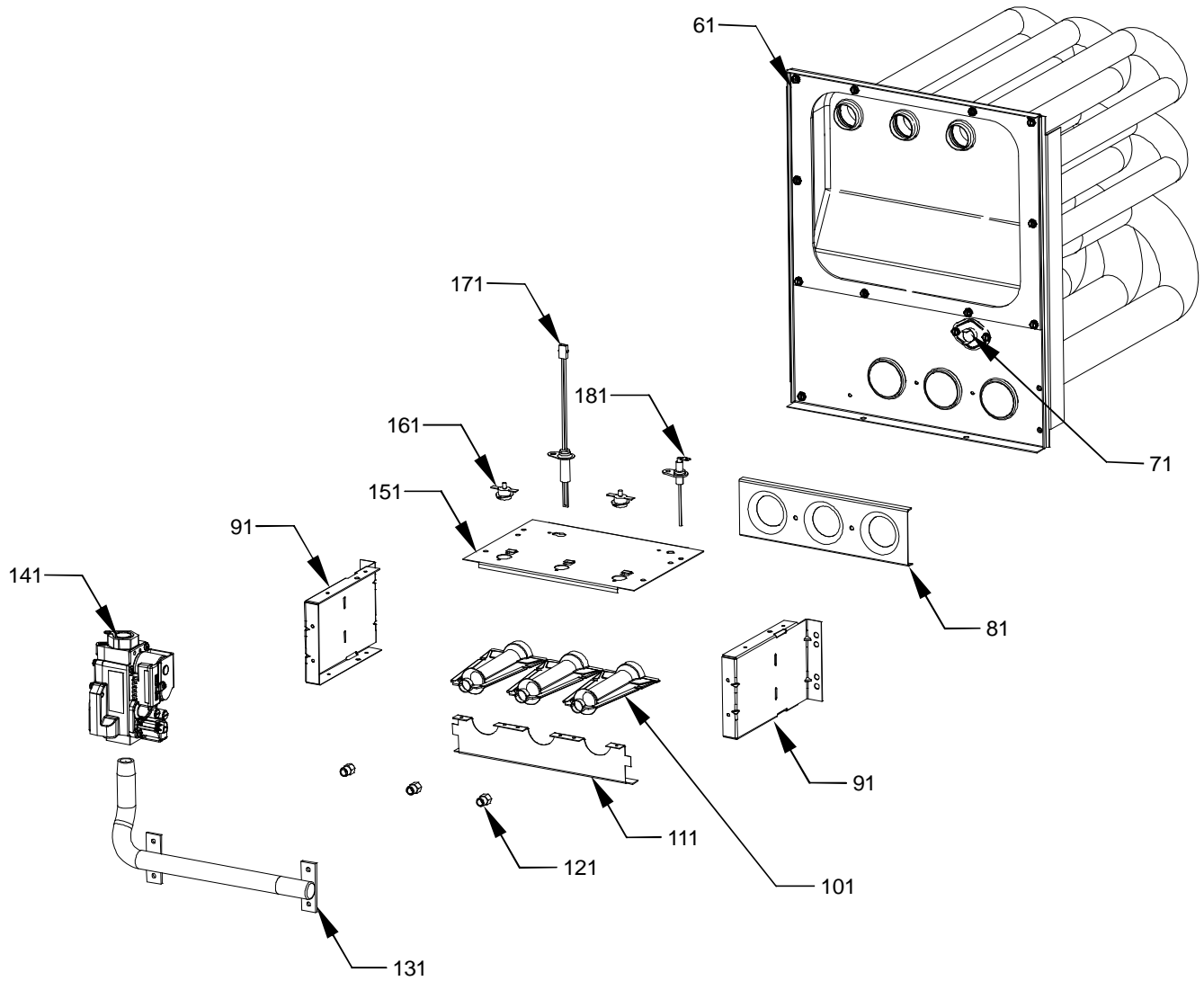
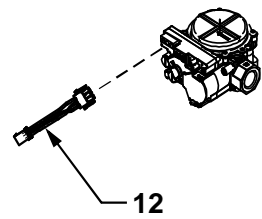


Image 2



Heat Exchanger Assy

**Ref. Part
No: No:**

Description:

**Ref. Part
No: No:**

Description:

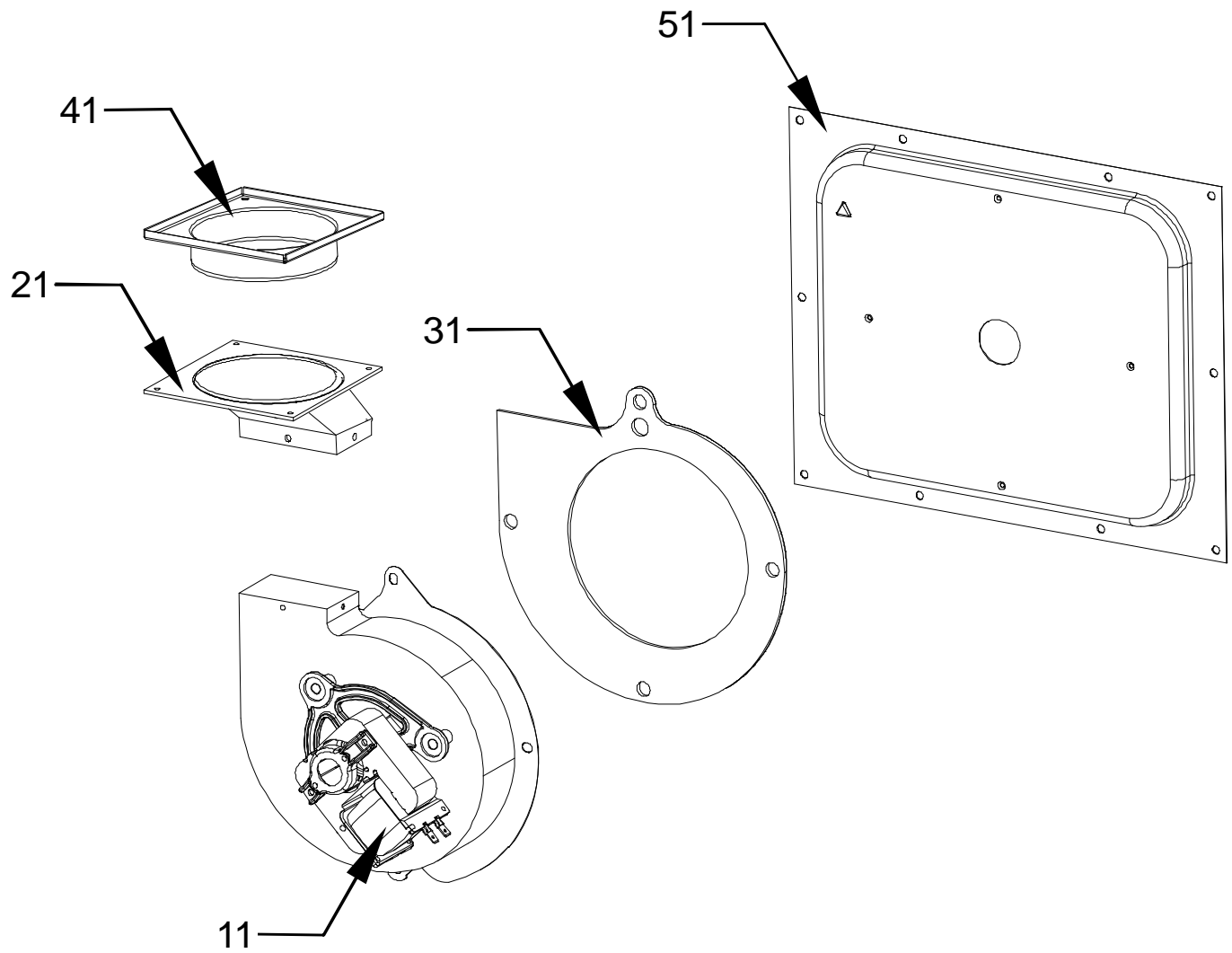
Image 1:

61	0270F00931	HEAT EXCHANGER ASSY (M1, M2)
61	0270F00932	HEAT EXCHANGER ASSY (M3, M4)
61	0270F00933	HEAT EXCHANGER ASSY (M5, M6)
61	0270F00934	HEAT EXCHANGER ASSY (M7, M8, M9, M10)
61	0270F00935	HEAT EXCHANGER ASSY (M11, M12)
61	0270F00936	HEAT EXCHANGER ASSY (M13, M14)
61	0270F00937	HEAT EXCHANGER ASSY (M15, M16)
71	20162903	PRIMARY LIMIT - BLUE (M9, M10, M15, M16)
71	0130F00036	PRIMARY LIMIT - PINK (M13, M14)
71	0130F00035	PRIMARY LIMIT - PURPLE 220° (M1, M2)
71	20162906	PRIMARY LIMIT - WHITE (M3, M4, M5, M6, M7, M8, M11, M12)
81	4028000	ORIFICE SHIELD 2 CELL (M1, M2)
81	4028001	ORIFICE SHIELD 3 CELL (M3, M4, M5, M6)
81	4028002	ORIFICE SHIELD 4 CELL (M7, M8, M9, M10, M11, M12)
81	4028003	ORIFICE SHIELD 5 CELL (M13, M14)
81	4028004	ORIFICE SHIELD 6 CELL (M15, M16)
91	0121F00146	BURNER BOX SIDE (QTY 2)
101	B4022700	INSHOT BURNER ASSY 3" (QTY 2)
111	0121F00167	BURNER BRACKET 2B (M1, M2)
111	0121F00168	BURNER BRACKET 3B (M3, M4, M5, M6)
111	0121F00169	BURNER BRACKET 4B (M7, M8, M9, M10, M11, M12)
111	0121F00170	BURNER BRACKET 5B (M13, M14)
111	0121F00171	BURNER BRACKET 6B (M15, M16)
121	10716003	ORIFICE (QTY 2)
131	0120F00006	MAINFOLD (M1, M2)
131	0120F00007	MAINFOLD (M3, M4, M5, M6)
131	0120F00008	MAINFOLD (M7, M8, M9, M10, M11, M12)
131	0120F00009	MAINFOLD (M13, M14)
131	0120F00010	MAINFOLD (M15, M16)
141	0151M00014	VALVE, GAS (HW) VR92
151	0121F00162	BURNER BOX TOP 2 CELL (M1, M2)
151	0121F00163	BURNER BOX TOP 3 CELL (M3, M4, M5, M6)
151	0121F00164	BURNER BOX TOP 4 CELL (M7, M8, M9, M10, M11, M12)
151	0121F00165	BURNER BOX TOP 5 CELL (M13, M14)
151	0121F00166	BURNER BOX TOP 6 CELL (M15, M16)
161	10123529	MANUAL RESET LIMIT (QTY 2)
171	0130F00008S	SINI IGNITOR
181	0130F00010	FLAME SENSOR
NS	0259F00020	HARNESS, WIRE IGNITOR HYBRID
NS	0259F00050	KIT, WIRE HYBRID FURN
NS	0259F00073	WIRE HARNESS ASSY

Expanded Model Nomenclature

M1 - AMH80403ANAA
M2 - AMH80403AXAA
M3 - AMH80603ANAA
M4 - AMH80603AXAA
M5 - AMH80604BNAA
M6 - AMH80604BXAA
M7 - AMH80803BNAA
M8 - AMH80803BXAA
M9 - AMH80804BNAA
M10 - AMH80804BXAA
M11 - AMH80805CNAA
M12 - AMH80805CXAA
M13 - AMH81005CNAA
M14 - AMH81005CXAA
M15 - AMH81205DNAA
M16 - AMH81205DXAA

Collector Box Assy



Collector Box Assy

Ref. Part No: No:	Description:	Ref. Part No: No:	Description:
-------------------	--------------	-------------------	--------------

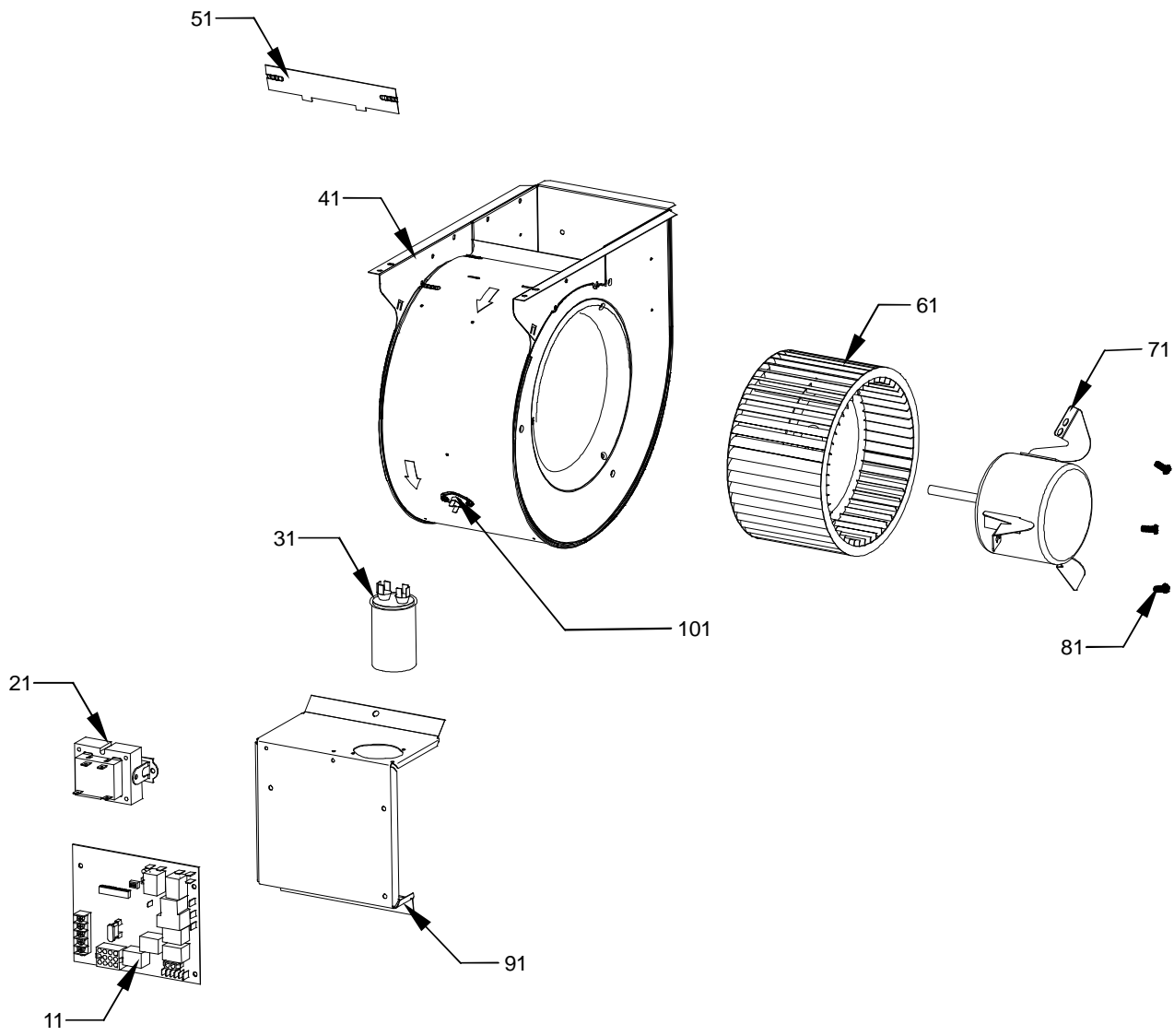
Image 1:

11	0131M00002	VENT MOTOR
21	0128F00006	CHIMNEY TRANSITION BOTTOM
31	0154F00003	VENT MOTOR GASKET 14" (M1, M2, M3, M4)
31	0154F00004	VENT MOTOR GASKET 17.5" (M5, M6, M7, M8, M9, M10)
31	0154F00005	VENT MOTOR GASKET 21" (M11, M12, M13, M14)
31	0154F00006	VENT MOTOR GASKET 24.5" (M15, M16)
41	4023500	CHIMNEY TRANSITION TOP
51	0121F00126	FLUE COLLECTOR BOX KIT 14" 1.25 DIA (M1, M2)
51	0121F00127	FLUE COLLECTOR BOX KIT 14" 2.0 DIA (M3, M4)
51	0121F00128	FLUE COLLECTOR BOX KIT 17.5" 1.75 DIA (M5, M6)
51	0121F00161	FLUE COLLECTOR BOX KIT 17.5" 2.0 DIA (M7, M8, M9, M10)
51	0121F00130	FLUE COLLECTOR BOX KIT 21" 2.25 DIA (M11, M12, M13, M14)
51	0121F00131	FLUE COLLECTOR BOX KIT 24.5" 3.5 DIA (M15, M16)

Expanded Model Nomenclature

M1 - AMH80403ANAA
M2 - AMH80403AXAA
M3 - AMH80603ANAA
M4 - AMH80603AXAA
M5 - AMH80604BNAA
M6 - AMH80604BXAA
M7 - AMH80803BNAA
M8 - AMH80803BXAA
M9 - AMH80804BNAA
M10 - AMH80804BXAA
M11 - AMH80805CNAA
M12 - AMH80805CXAA
M13 - AMH81005CNAA
M14 - AMH81005CXAA
M15 - AMH81205DNAA
M16 - AMH81205DXAA

Blower and Control Panel



Blower and Control Panel

Ref. Part No:	No:	Description:	Ref. Part No:	No:	Description:
<i>Image 1:</i>					
11	PCBBF132	PCB 2STAGE HYBRID FURNACE CNT			
21	B1141605	TRANSFORMER 120V TO 24V, 40 VA			
31	CAP125000370RP	CAPACITOR 12.5/370V (M1, M2, M3, M4, M7, M8)			
31	CAP200000440RP	CAPACITOR 20/370V (M5, M6, M9, M10, M11, M12, M13, M14)			
31	CAP250000370RP	CAPACITOR 25/370V (M15, M16)			
41	2539307	BLOWER HOUSING 10 X 10 (M11, M12, M13, M14, M15, M16)			
41	2539305	BLOWER HOUSING 10 X 6 (M1, M2, M3, M4)			
41	2539306	BLOWER HOUSING 10 X 8 (M5, M6, M7, M8, M9, M10)			
51	764741F	BLOWER BLOCK-OFF 10 X 10 (M11, M12, M13, M14, M15, M16)			
51	764740F	BLOWER BLOCK-OFF 10 X 8 (M5, M6, M7, M8, M9, M10)			
51	764739	BLOWER CUT-OFF 10 X 6 (M1, M2, M3, M4)			
61	D6723311	BLOWER WHEEL (M15, M16)			
61	B1368047	BLOWER WHEEL 10 X 10 (M11, M12, M13, M14)			
61	B1368034	BLOWER WHEEL 10 X 6 (M1, M2, M3, M4)			
61	B1368016	BLOWER WHEEL 10 X 8 (M5, M6, M9, M10)			
61	B1368058	BLOWER WHEEL 10 X 8 (M7, M8)			
71	0131F00022	BLOWER MOTOR 1/2 HP, 4 SP, 6 PL (M5, M6, M9, M10, M11, M12, M13, M14)			
71	20046618	BLOWER MOTOR 3/4 HP (M15, M16)			
71	0131F00020	MOTOR, 1/3 HP, 4SP, 6PL (M7, M8)			
81	M0250558	TC SCREW (QTY 3)			
91	1815817	CONTROL MOUNT PANEL			
101	0130F00038	PRIMARY LIMIT - LT BLUE 120°			

Expanded Model Nomenclature

- M1 - AMH80403ANAA
- M2 - AMH80403AXAA
- M3 - AMH80603ANAA
- M4 - AMH80603AXAA
- M5 - AMH80604BNAA
- M6 - AMH80604BXAA
- M7 - AMH80803BNAA
- M8 - AMH80803BXAA
- M9 - AMH80804BNAA
- M10 - AMH80804BXAA
- M11 - AMH80805CNAA
- M12 - AMH80805CXAA
- M13 - AMH81005CNAA
- M14 - AMH81005CXAA
- M15 - AMH81205DNAA
- M16 - AMH81205DXAA