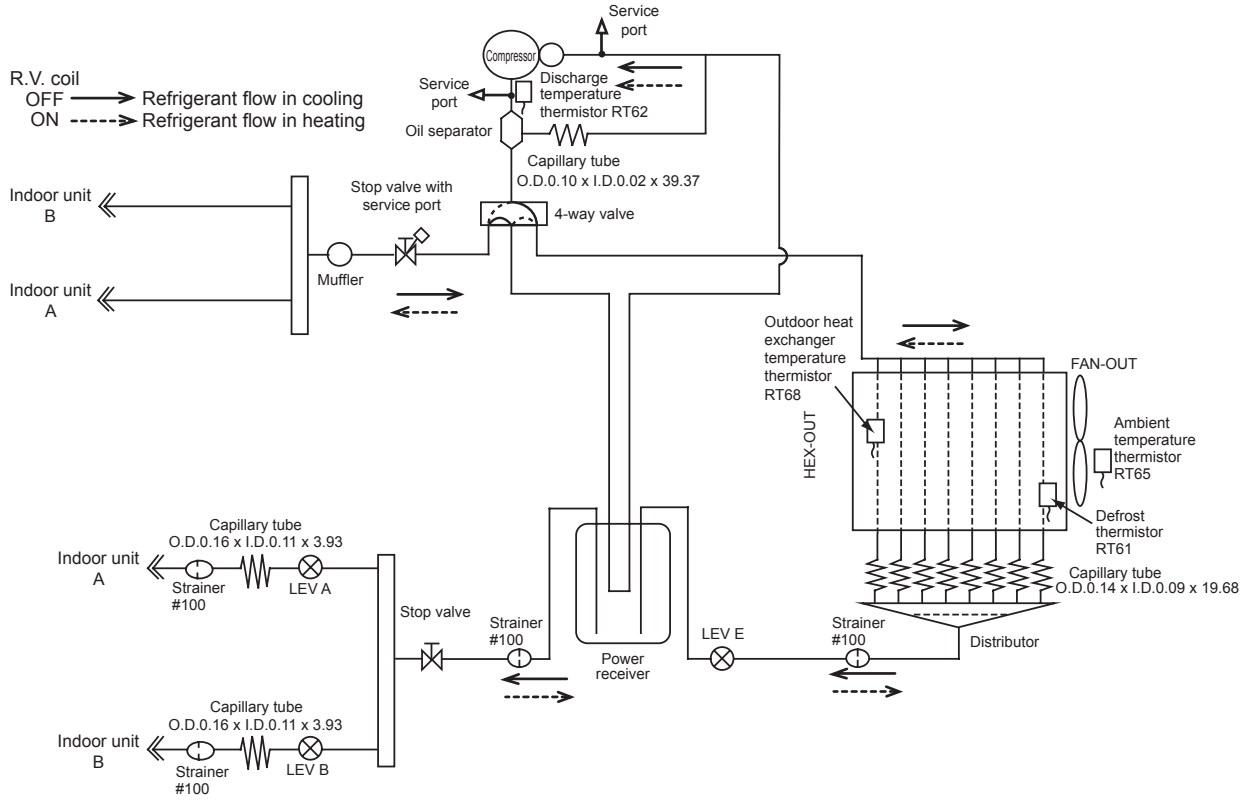


# REFRIGERANT SYSTEM DIAGRAM

MXZ-2B20NA

Unit: inch



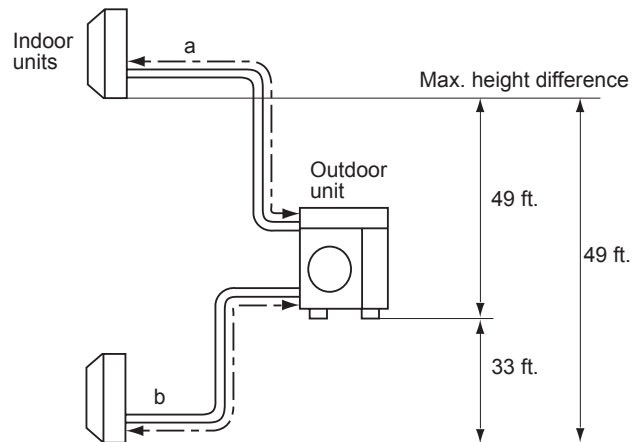
## Operating Range MXZ-2B20NA

		Indoor intake air temperature	Outdoor intake air temperature
Cooling	Maximum	95°FDB, 71°FWB	115°FDB
	Minimum	67°FDB, 57°FWB	14°FDB
Heating	Maximum	80°FDB, 67°FWB	75°FDB, 65°FWB
	Minimum	70°FDB, 60°FWB	6°FDB, 5°FWB

## MAX. REFRIGERANT PIPING LENGTH & PIPE SIZE SELECTION MXZ-2B20NA

Piping length each indoor unit (a, b)	82 ft. MAX.
Total piping length (a+b)	164 ft. MAX.
Bending point for each unit	25 MAX.
Total bending point	50 MAX.

\*It is irrelevant which unit is higher.



- Refrigerant pipe diameter is different according to indoor unit to be connected. When using extension pipes, refer to the tables below.
- When the diameter of refrigerant pipe is different from that of outdoor unit union, use optional Different-diameter pipe. For further information on Different-diameter pipe, see the appropriate parts catalog, Optional parts "DIFFERENT DIAMETER PIPE"(2-1.).

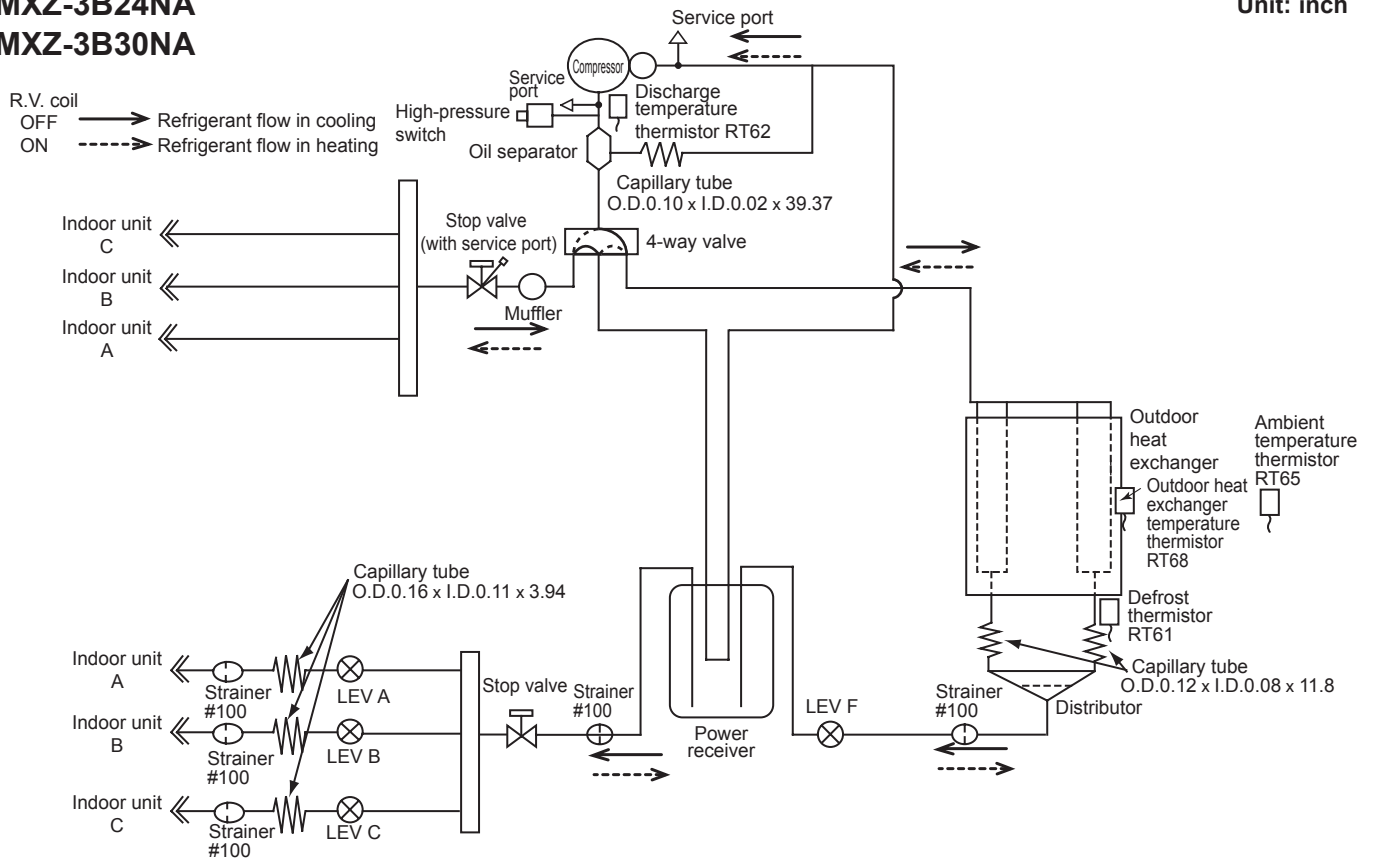
Unit: inch

Indoor unit class	Extension pipe diameter	
	09 or less	Liquid
Gas		3/8
12	Liquid	1/4
	Gas	3/8
15	Liquid	1/4
	Gas	1/2

Outdoor unit union diameter		
For		
Indoor unit A	Liquid	1/4
	Gas	3/8
Indoor unit B	Liquid	1/4
	Gas	3/8

**MXZ-3B24NA**  
**MXZ-3B30NA**

Unit: inch



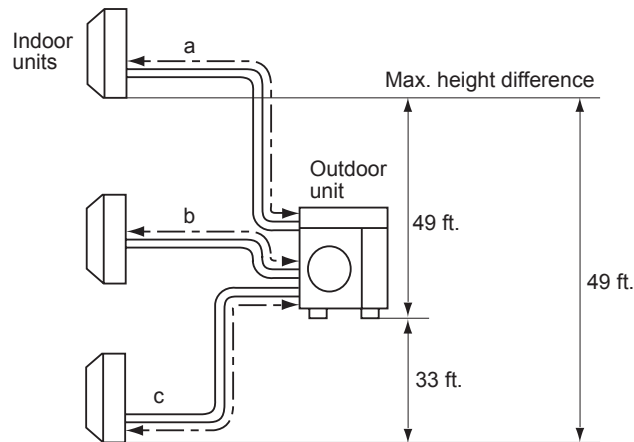
## Operating Range MXZ-3B24NA MXZ-3B30NA

		Indoor intake air temperature	Outdoor intake air temperature
Cooling	Maximum	95°FDB, 71°FWB	115°FDB
	Minimum	67°FDB, 57°FWB	14°FDB
Heating	Maximum	80°FDB, 67°FWB	75°FDB, 65°FWB
	Minimum	70°FDB, 60°FWB	6°FDB, 5°FWB

## MAX. REFRIGERANT PIPING LENGTH & PIPE SIZE SELECTION MXZ-3B24NA MXZ-3B30NA

Piping length each indoor unit (a, b, c)	82 ft. MAX.
Total piping length (a+b+c)	230 ft. MAX.
Bending point for each unit	25 MAX.
Total bending point	70 MAX.

\*It is irrelevant which unit is higher.



- Refrigerant pipe diameter is different according to indoor unit to be connected. When using extension pipes, refer to the tables below.
- When the diameter of refrigerant pipe is different from that of outdoor unit union, use optional Different-diameter pipe. For further information on Different-diameter pipe, see the appropriate parts catalog, Optional parts "DIFFERENT DIAMETER PIPE"(2-1.).

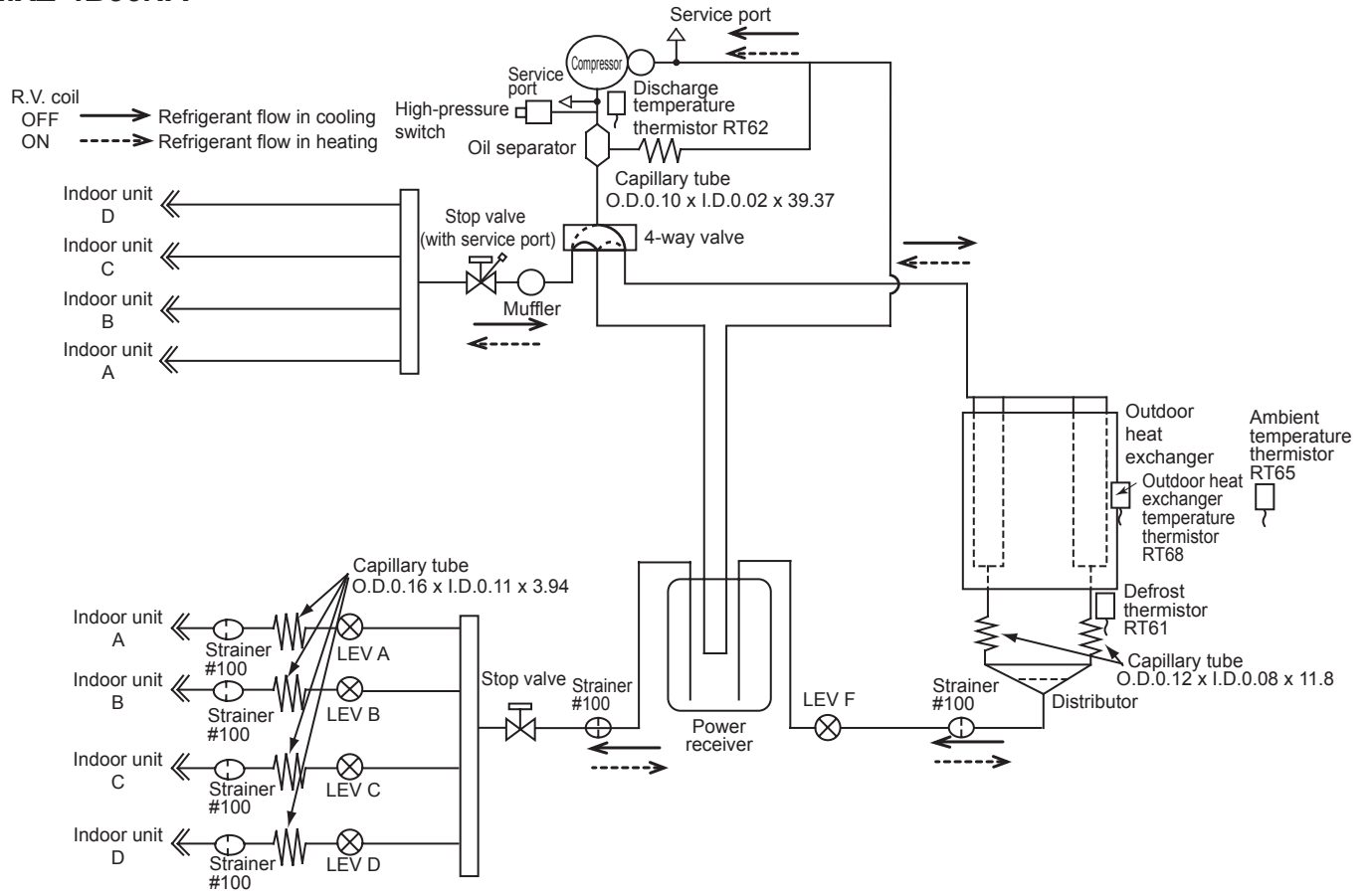
Unit : inch

Indoor unit class	Extension pipe diameter	
09 or less	Liquid	1/4
	Gas	3/8
12	Liquid	1/4
	Gas	3/8
15	Liquid	1/4
	Gas	1/2
17	Liquid	1/4
	Gas	1/2
18	Liquid	1/4
	Gas	1/2
24 (MXZ-3B30NA only)	Liquid	1/4
	Gas	5/8

Outdoor unit union diameter		
For		
Indoor unit A	Liquid	1/4
	Gas	1/2
Indoor unit B	Liquid	1/4
	Gas	3/8
Indoor unit C	Liquid	1/4
	Gas	3/8

# MXZ-4B36NA

Unit: inch



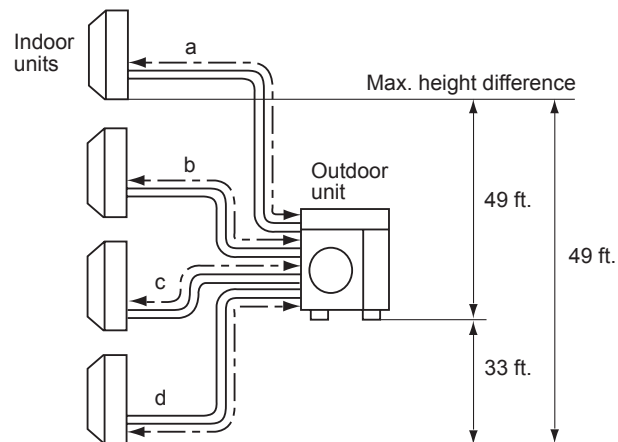
## Operating Range MXZ-4B36NA

		Indoor intake air temperature	Outdoor intake air temperature
Cooling	Maximum	95°FDB, 71°FWB	115°FDB
	Minimum	67°FDB, 57°FWB	14°FDB
Heating	Maximum	80°FDB, 67°FWB	75°FDB, 65°FWB
	Minimum	70°FDB, 60°FWB	6°FDB, 5°FWB

## MAX. REFRIGERANT PIPING LENGTH & PIPE SIZE SELECTION MXZ-4B36NA

Piping length each indoor unit (a, b, c, d)	82 ft. MAX.
Total piping length (a+b+c+d)	230 ft. MAX.
Bending point for each unit	25 MAX.
Total bending point	70 MAX.

\*It is irrelevant which unit is higher.



- Refrigerant pipe diameter is different according to indoor unit to be connected. When using extension pipes, refer to the tables below.
- When the diameter of refrigerant pipe is different from that of outdoor unit union, use optional Different-diameter pipe. For further information on Different-diameter pipe, see the appropriate parts catalog, Optional parts "DIFFERENT DIAMETER PIPE"(2-1.).

Unit : inch

Indoor unit class	Extension pipe diameter	
	Liquid	Gas
09 or less	1/4	3/8
	3/8	1/2
12	1/4	3/8
	3/8	1/2
15	1/4	1/2
	1/2	3/4
17	1/4	1/2
	1/2	3/4
18	1/4	1/2
	1/2	3/4
24	1/4	5/8
	5/8	1

Outdoor unit union diameter		
For	Liquid	Gas
Indoor unit A	1/4	1/2
	1/2	3/4
Indoor unit B	1/4	3/8
	3/8	1/2
Indoor unit C	1/4	3/8
	3/8	1/2
Indoor unit D	1/4	3/8
	3/8	1/2