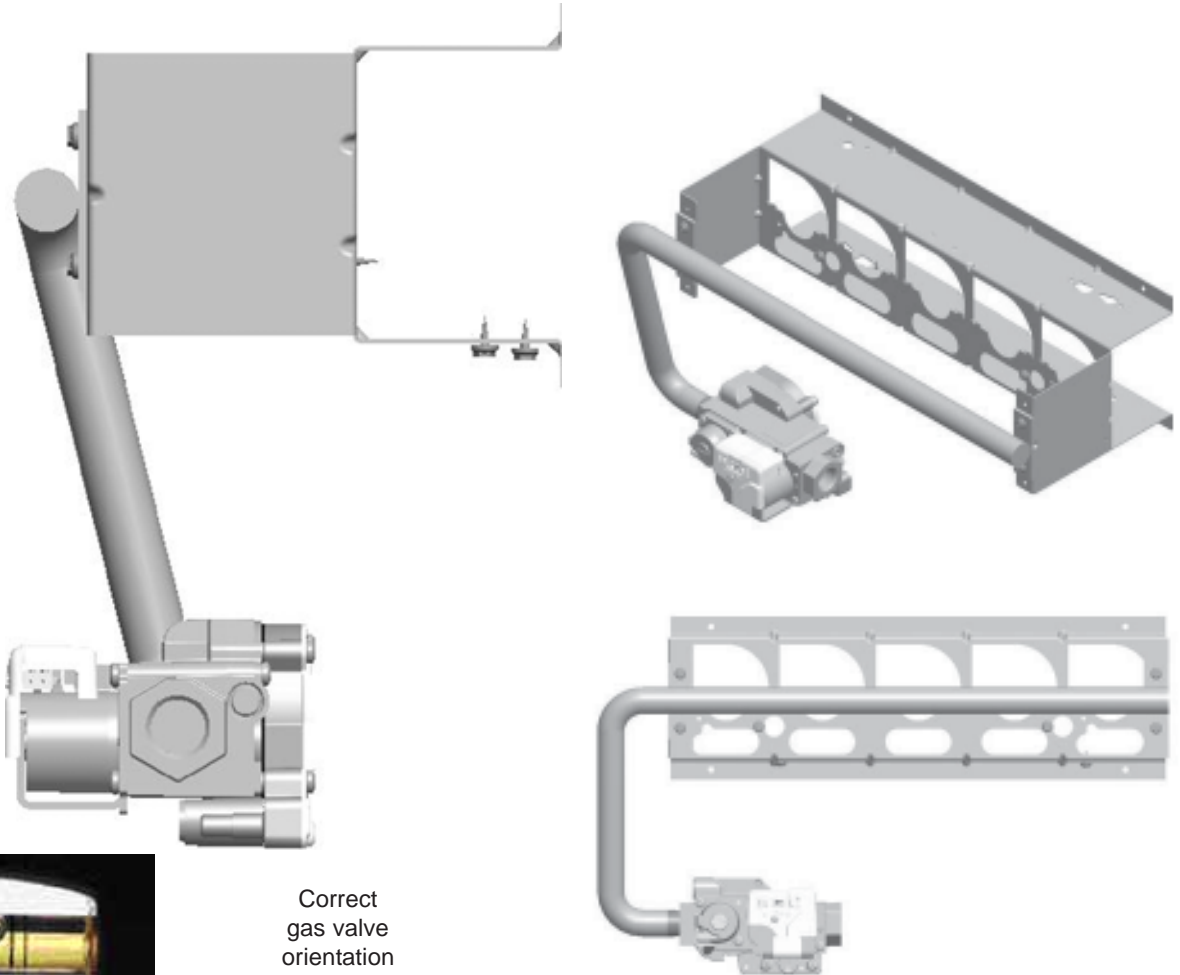


GAS VALVE REPLACEMENT INSTRUCTIONS

Gas valve replacement must be performed only by personnel qualified to service gas equipment.



When installing a replacement gas valve on a modulating furnace, special attention must be given to gas valve positioning.

In the upflow or downflow installation positions, the valve position must be checked by placing a small level on the steel bracket holding the gas valve coils. The valve must be installed with the electrical switch facing out. Variation must be no more than $+ / - 3^\circ$ from the horizontal plane. This is confirmed when a small spirit level placed on the bracket shows level within $\frac{1}{4}$ bubble from front to back.

When a furnace is installed in the horizontal position, simply install the valve so that the electrical switch is facing out. No other positioning is necessary in this case.

As with any gas equipment connection or component, all safety and proper practices must be observed and followed.

