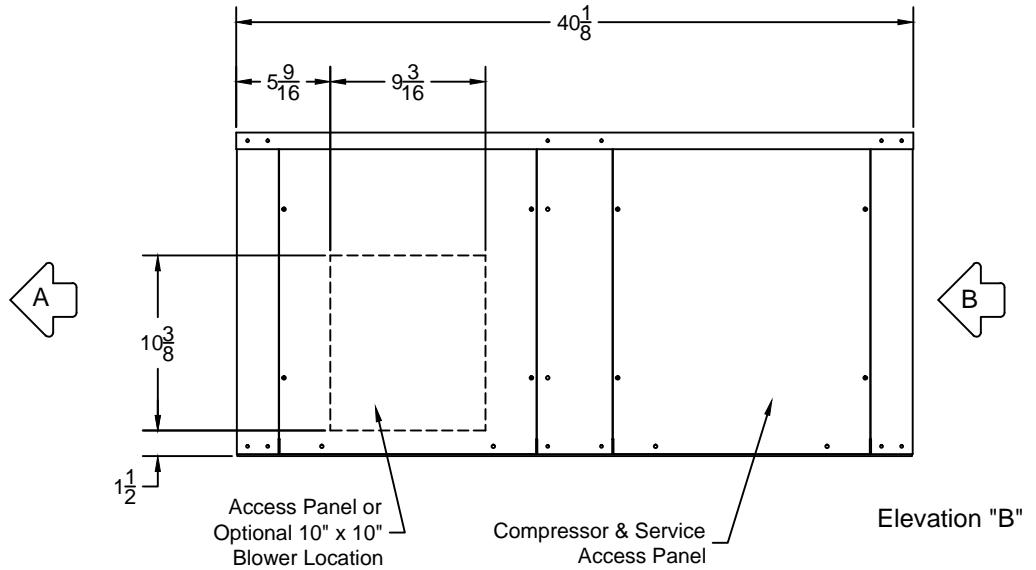
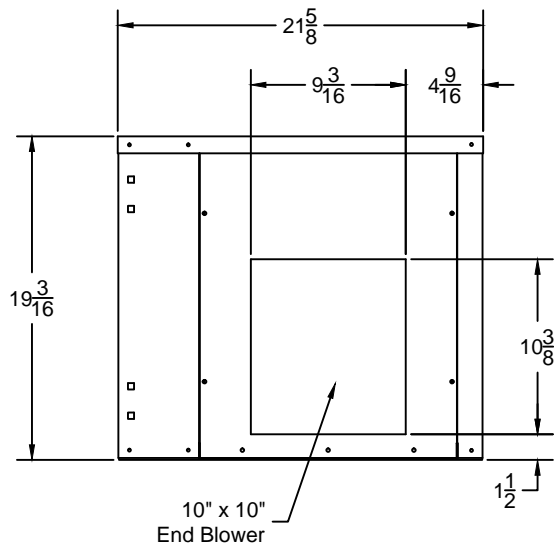


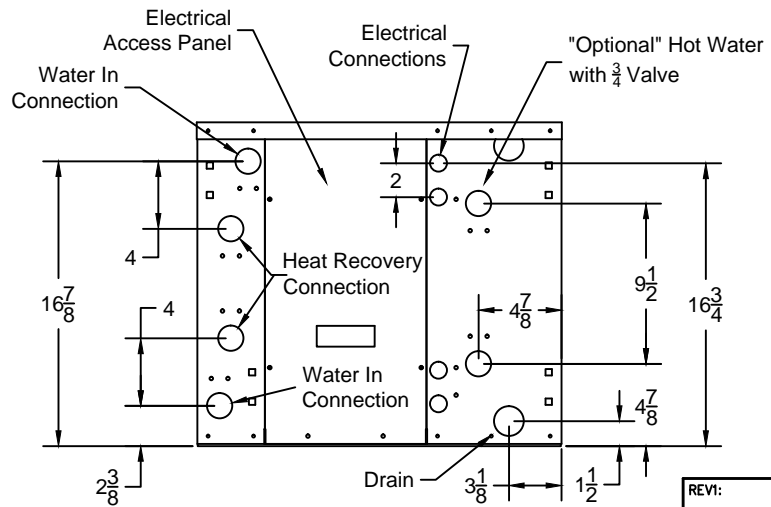
Elevation "A"



Elevation "B"



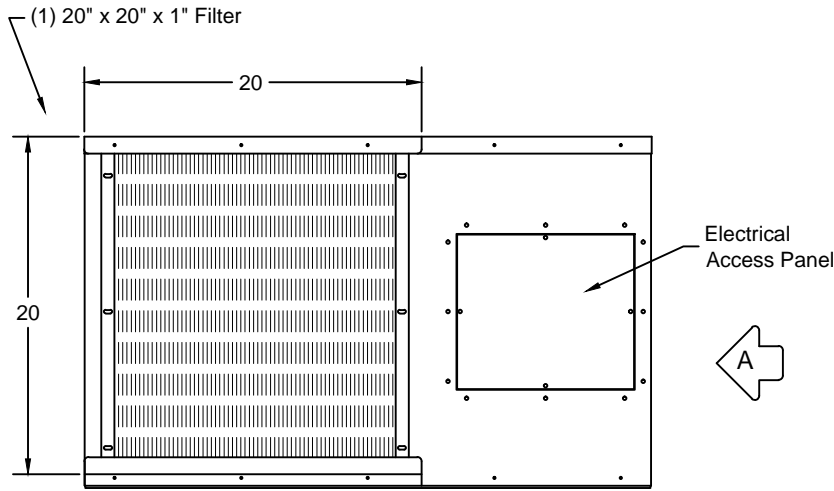
View "A"



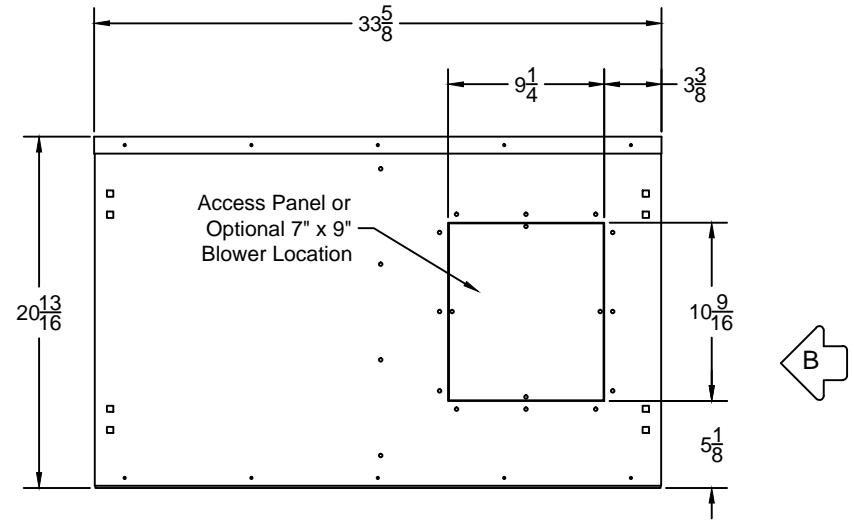
View "B"

"Note"
Mirror Image Available.
All Options Subject to
Additional Charges.

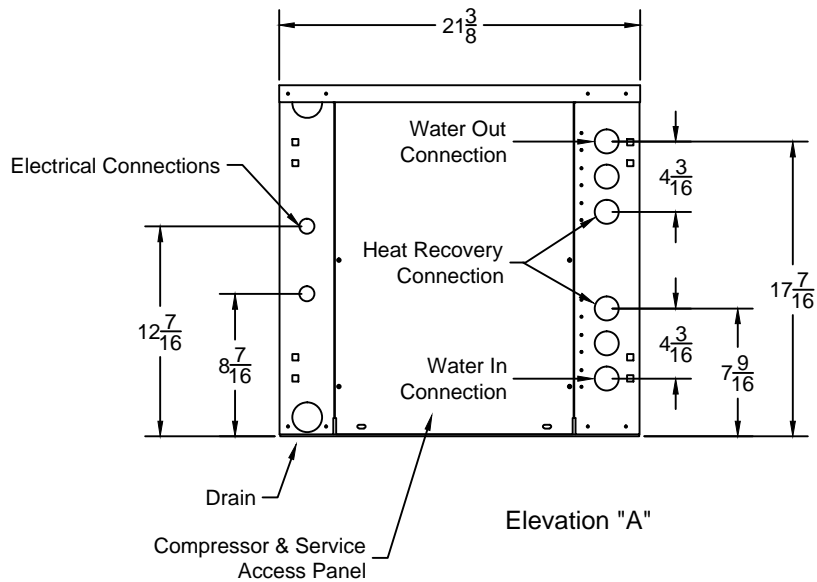
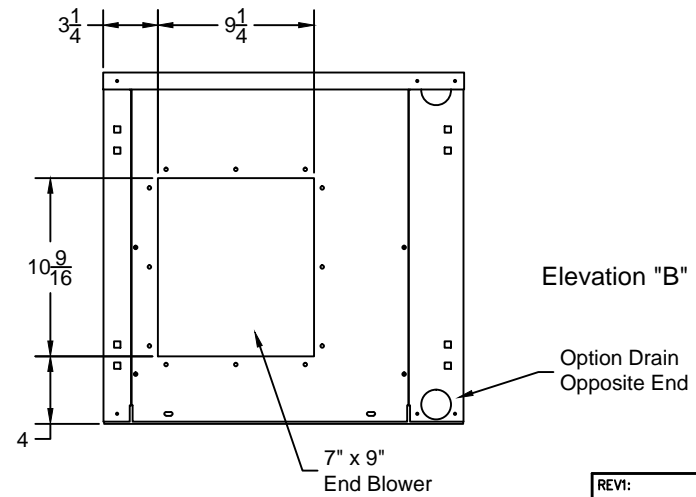
1.5-2.5T Horizontal with Options General Arrangement	REVI:
	DATE: 03-18-15
	SCALE: None
Cold Flow/Dual Air Inc. 1050 NW 21th Street Miami Florida 22127 Ph; (305) 545-6666 Fax; (305) 325-1966	BY: Allen Diehl
	031815.1



Back Elevation



Front Elevation

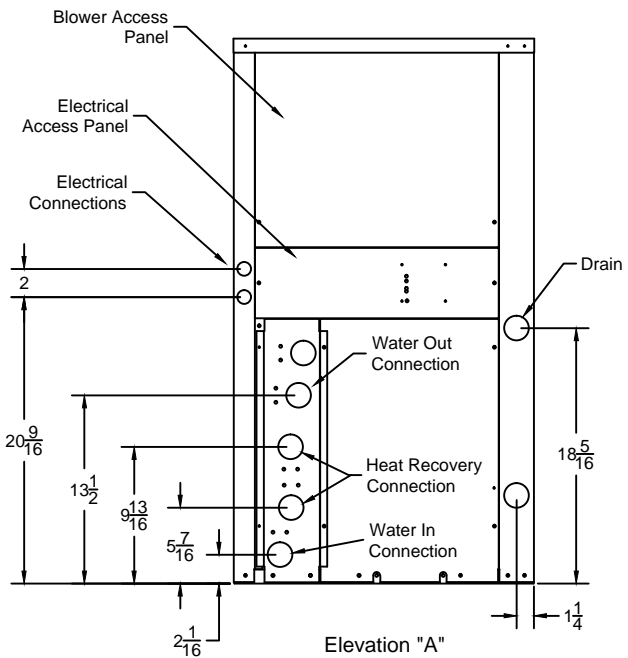
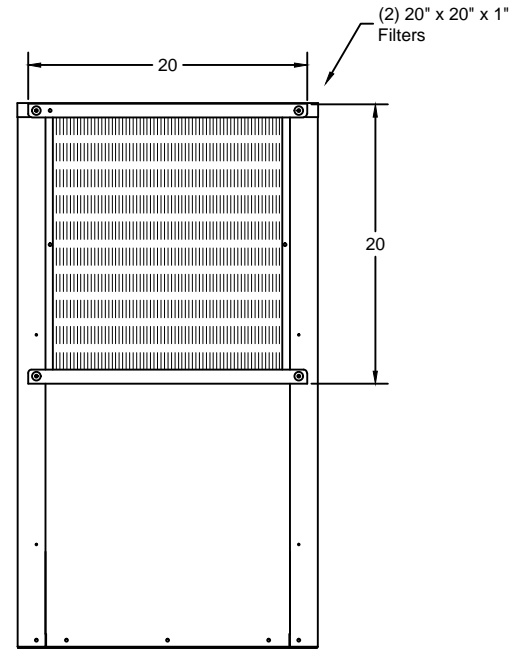
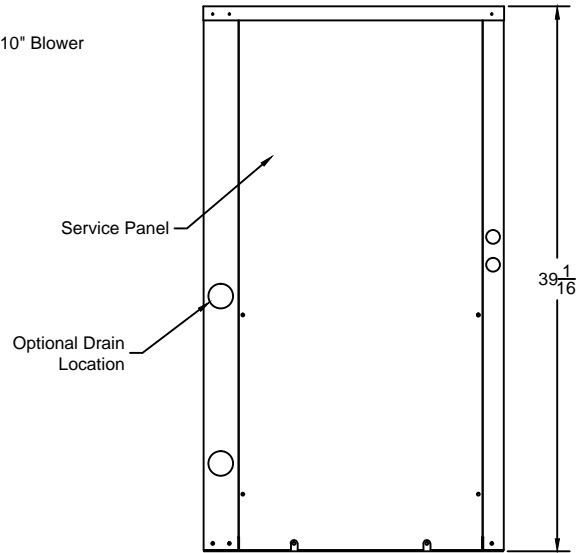
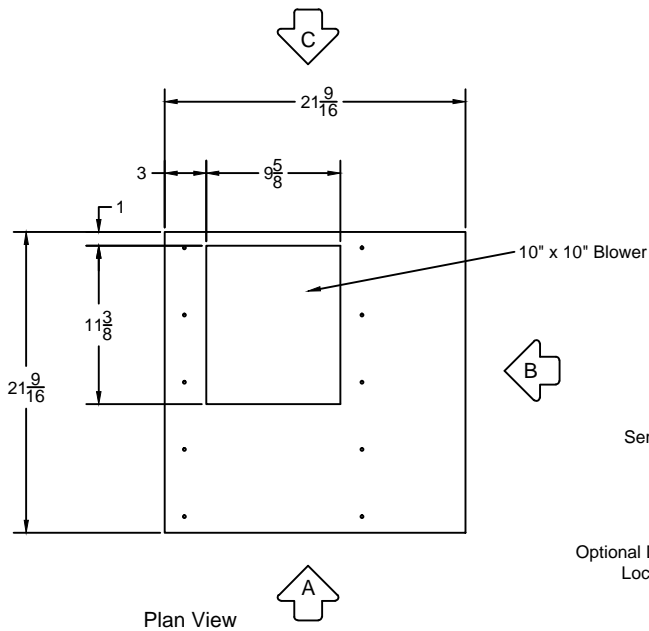


1- 2.5 Ton Horizontal

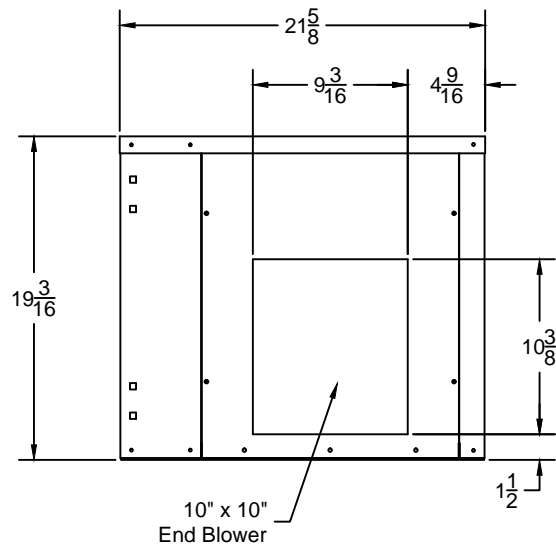
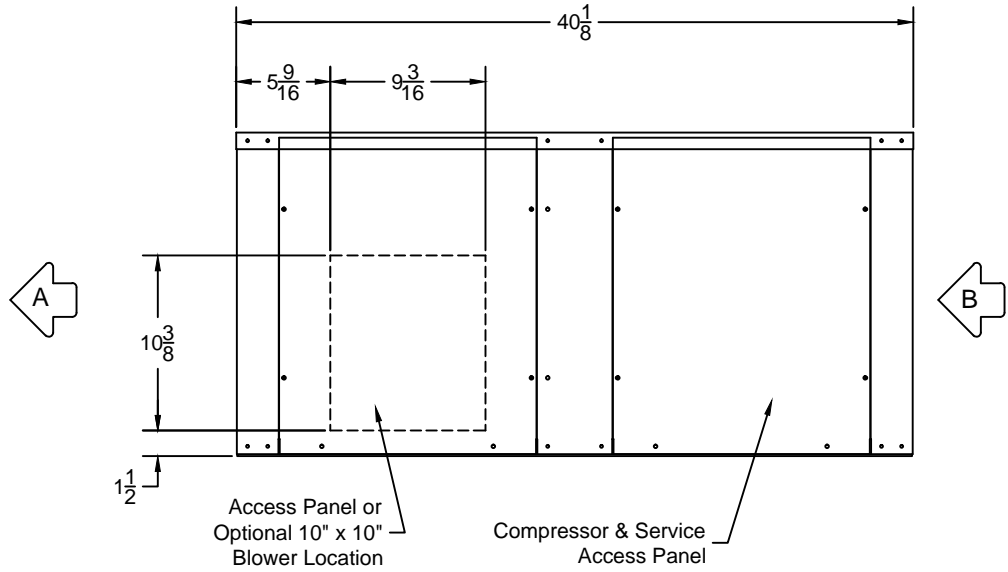
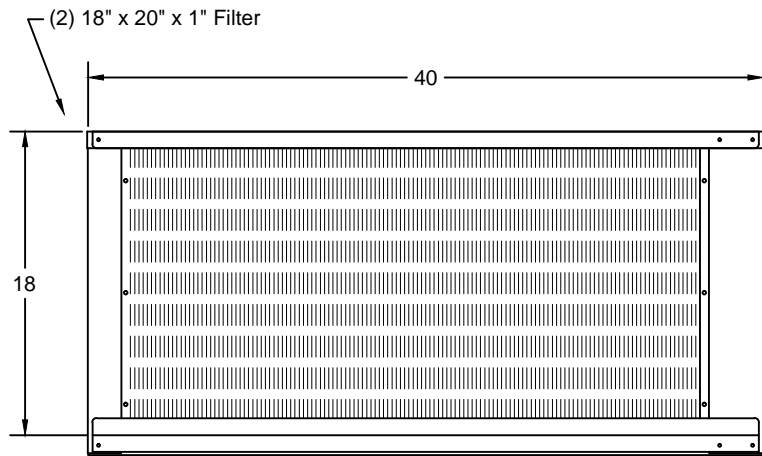
Cold Flow/Dual Air Inc.
 1050 NW 21th Street
 Miami Florida 22127
 Ph; (305) 545-6666
 Fax; (305) 325-1966

REVI:	
DATE:	03-17-15
SCALE:	None
BY:	Allen Diehl

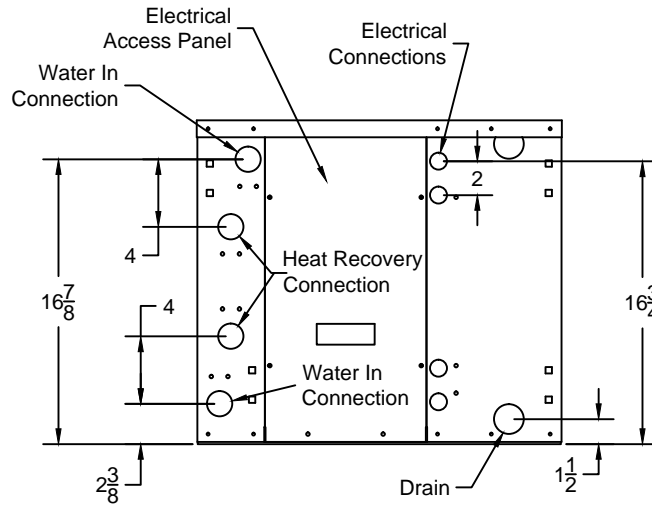
031715



<p>2T Vertical [Right Hand Unit Shown] General Arrangement</p>	REVI:
	DATE: 05-11-15
	SCALE: None
<p>Cold Flow/Dual Air Inc. 1050 NW 21th Street Miami Florida 22127 Ph; (305) 545-6666 Fax; (305) 325-1966</p>	BY: Allen Diehl
	051115



Elevation "A"



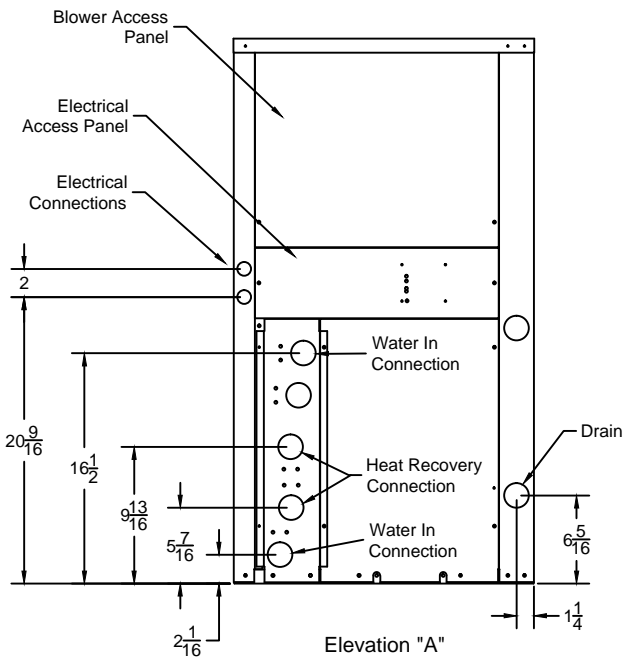
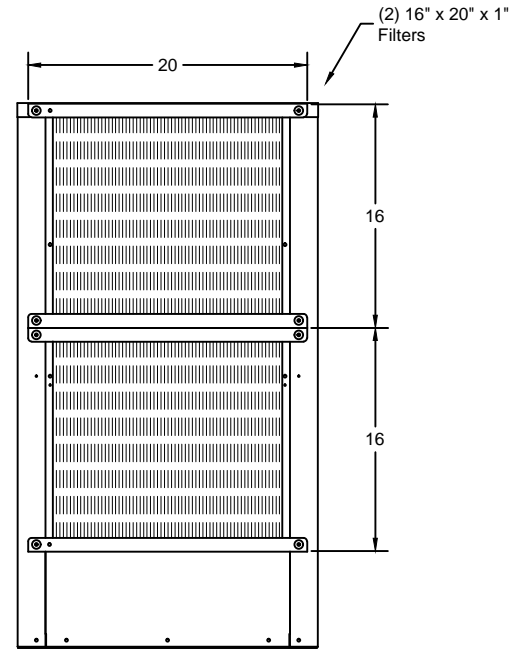
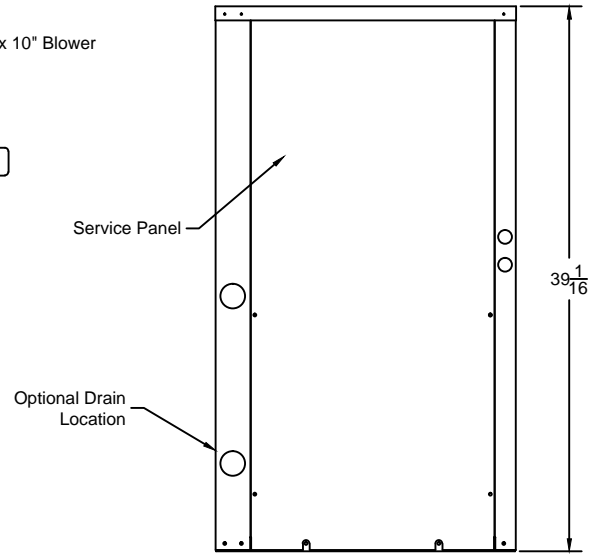
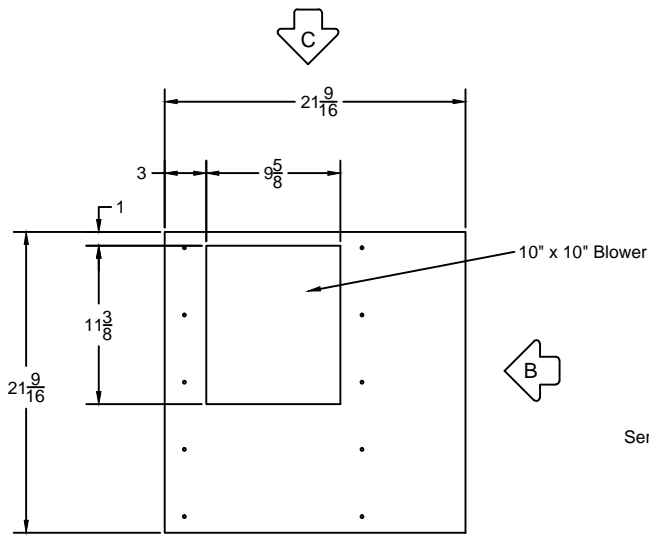
Elevation "B"

3- 3.5 Ton Horizontal

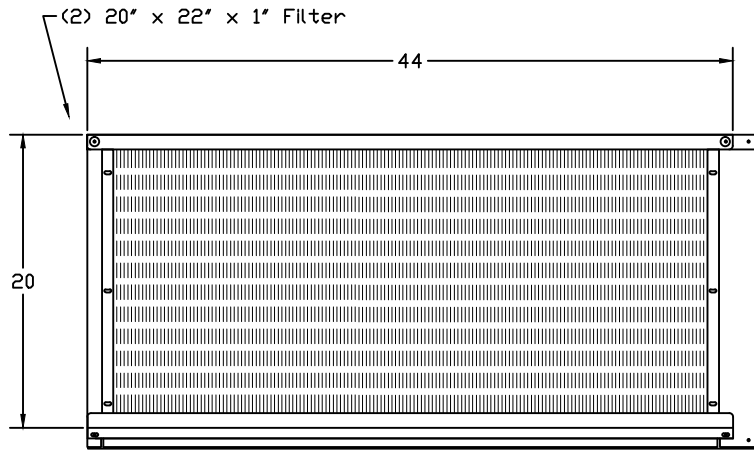
Cold Flow/Dual Air Inc.
 1050 NW 21th Street
 Miami Florida 22127
 Ph; (305) 545-6666
 Fax; (305) 325-1966

REVI:	
DATE:	03-18-15
SCALE:	None
BY:	Allen Diehl

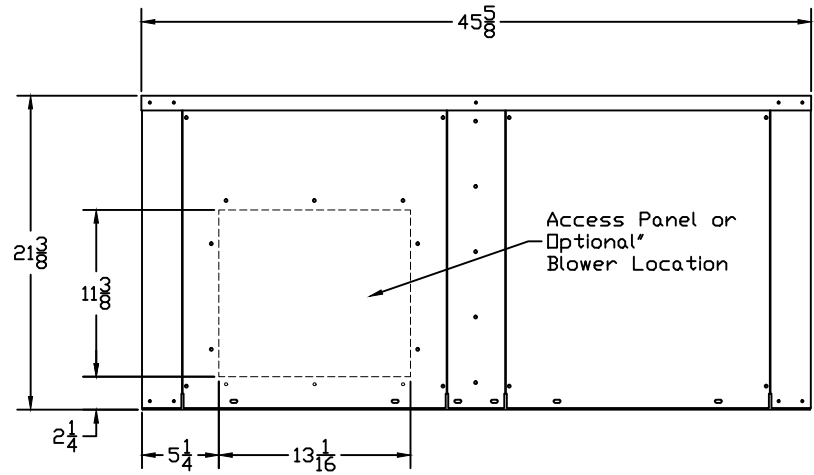
031815



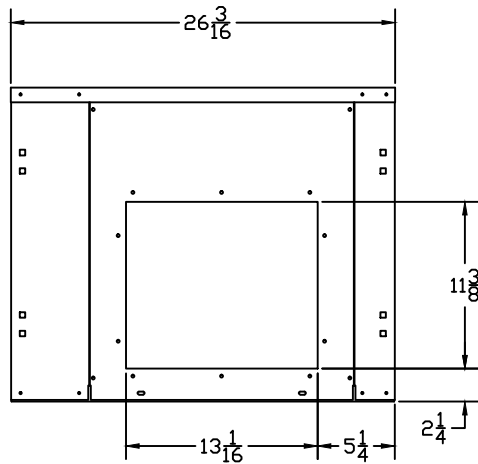
<p>3T Vertical [Right Hand Unit Shown] General Arrangement</p>	<p>REVI:</p>
	<p>DATE: 03-19-15</p>
	<p>SCALE: None</p>
<p>Cold Flow/Dual Air Inc. 1050 NW 21th Street Miami Florida 22127 Ph; (305) 545-6666 Fax; (305) 325-1966</p>	<p>BY: Allen Diehl</p>
	<p>031915</p>



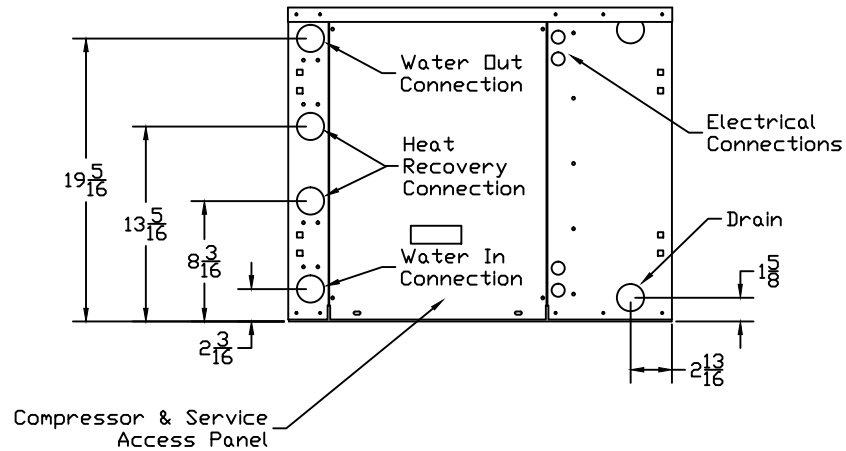
A



B

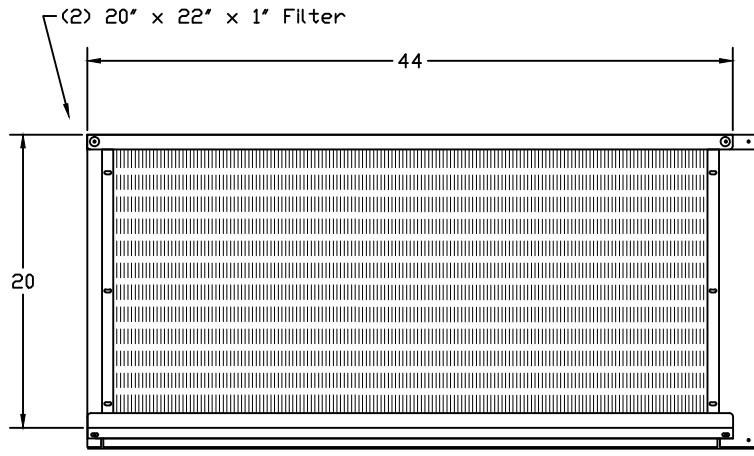


Elevation "A"

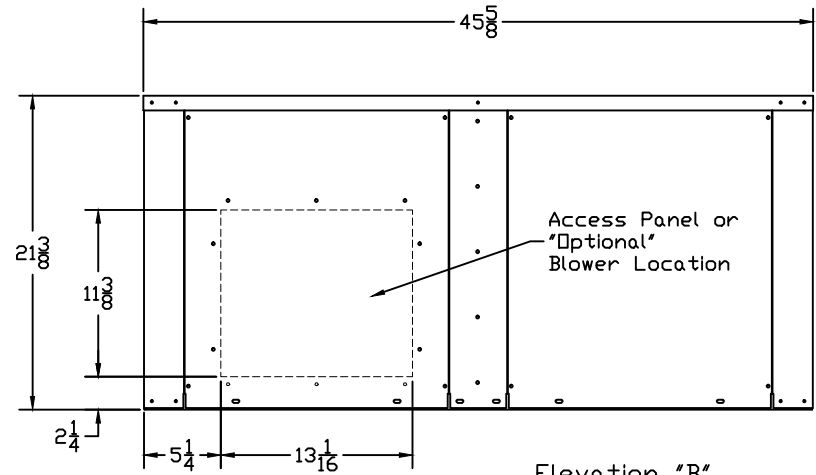


Elevation "B"

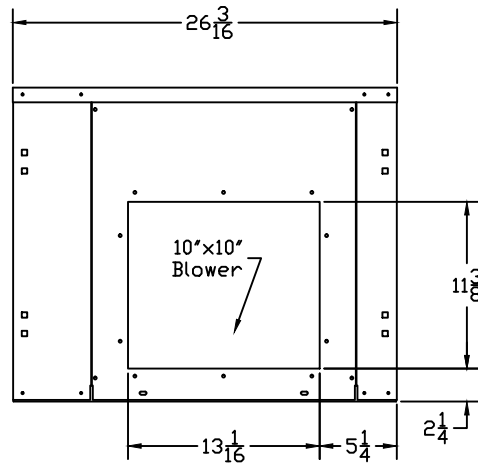
4-6 Ton Horizontal	REVI:
	DATE: 05-27-15
	SCALE: None
Cold Flow/Dual Air Inc. 1050 NW 21th Street Miami Florida 22127 Ph; (305) 545-6666 Fax; (305) 325-1966	BY: Allen Diehl
	052715



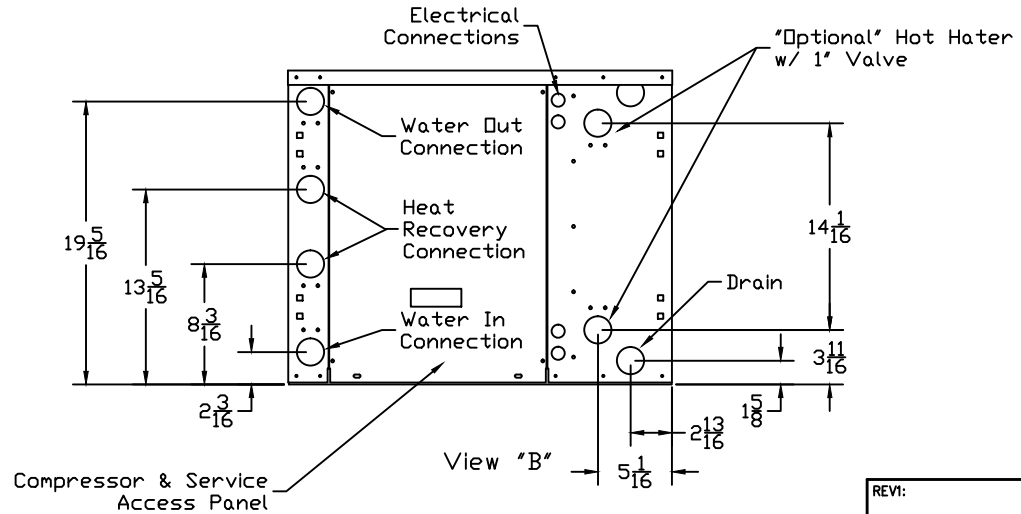
Elevation "A"



Elevation "B"

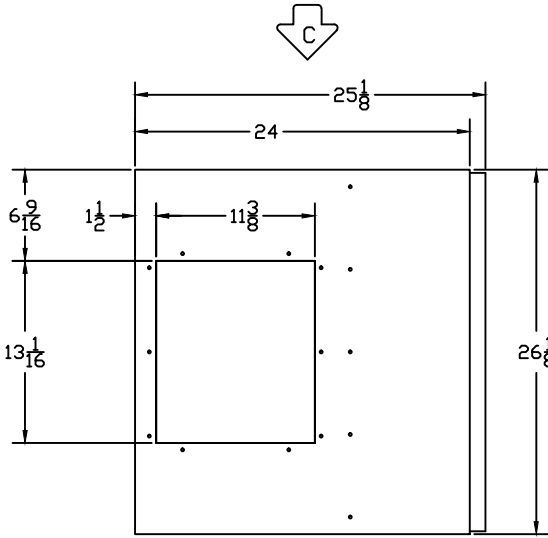


View "A"



"Note"
Mirror Image Available.
All Options Subject to
Additional Charge.

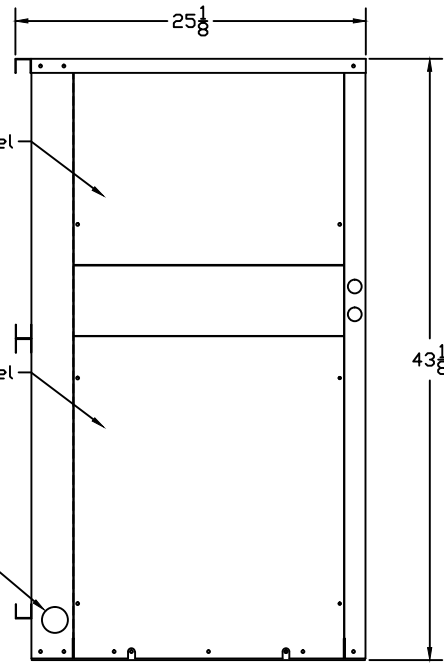
4-6T Horizontal with Options General Arrangement	REVI:
	DATE: 05-27-15
	SCALE: None
	BY: Allen Diehl
Cold Flow/Dual Air Inc. 1050 NW 21th Street Miami Florida 22127 Ph; (305) 545-6666 Fax; (305) 325-1966	052715.1



Plan View

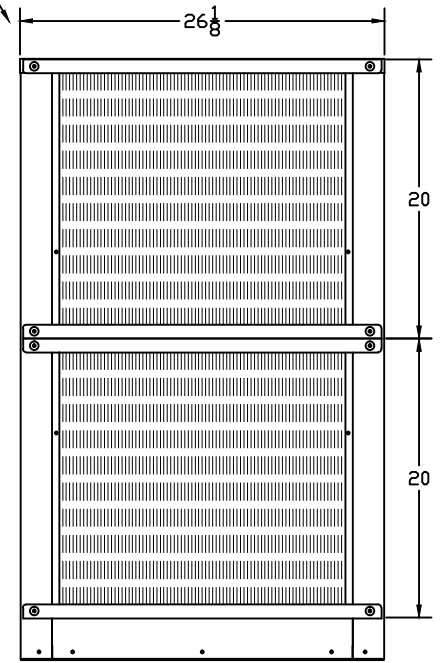


Optional Drain Location

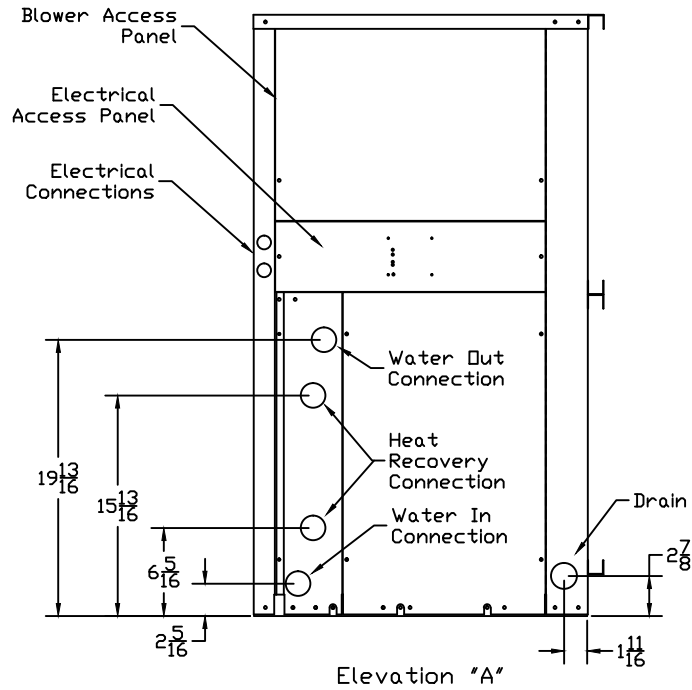


Elevation "C"

(2) 20" x 24" x 1" Filters



Elevation "B"



Elevation "A"

<h2>4- 6 Ton Vertical</h2> <p>Cold Flow/Dual Air Inc. 1050 NW 21th Street Miami Florida 22127 Ph; (305) 545-6666 Fax; (305) 325-1966</p>	REV1:
	DATE: 05-26-15
	SCALE: None
	BY: Allen Diehl
<h1>052615</h1>	